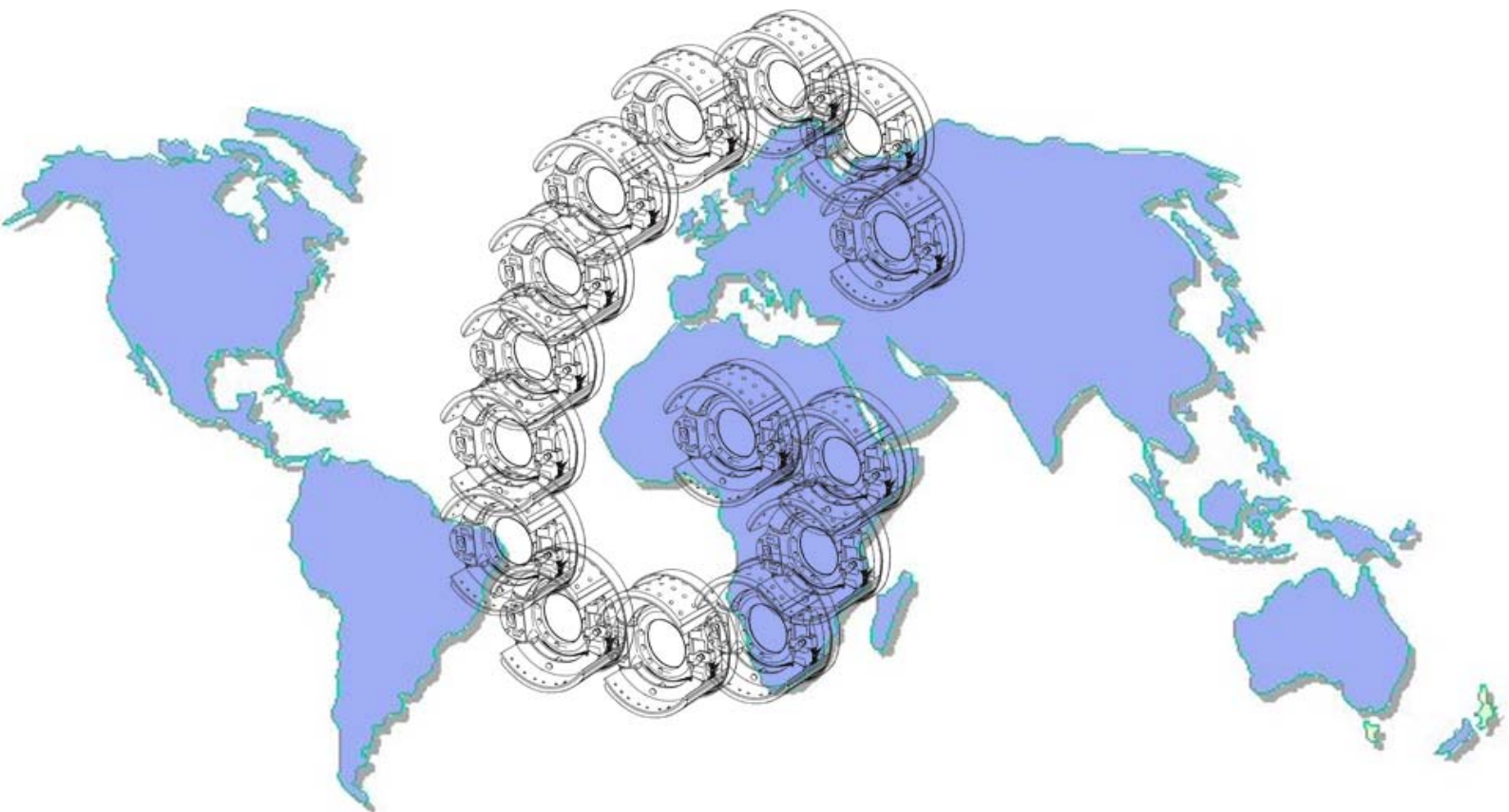
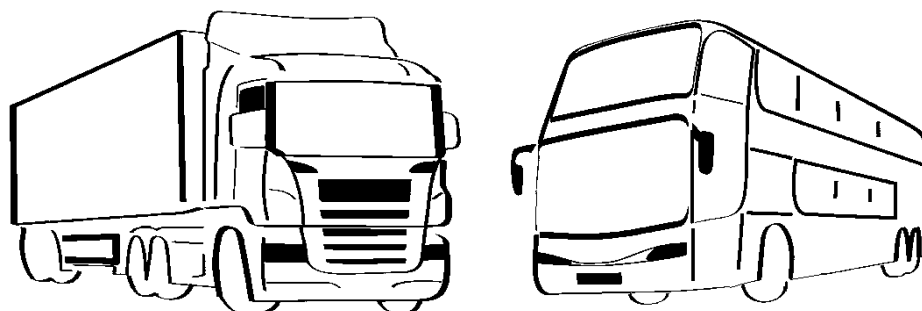






CATALOGUE PIECES DE FRICTIONS A  
TAMBOURS POIDS LOURDS  
MÂCHOIRES DE FREIN GARNIES ET KIT DE  
GARNITURES AVEC ACCESSOIRES  
CV DRUM LININGS PART CATALOGUE  
CV LINED BRAKE SHOES AND CV LINING  
KITS WITH FITTING KITS





	<b>PAGE</b>
 <b>SOMMAIRE</b>	<b>2</b>
<b>INTRODUCTION - NOUVEAUTES</b>	<b>3-4</b>
<b>ABREVIATIONS - EXPLICATIONS DES REFERENCES</b>	<b>5</b>
<b>TUTORIEL D'UTILISATION DU CATALOGUE</b>	<b>6</b>
<b>APPLICATION PAR VEHICULES</b>	<b>7-141</b>
<b>PIECES DE FREINAGE POUR GRUES MOBILES</b>	<b>142-143</b>
<b>RECHERCHE GARNITURES PAR DIMENSIONS</b>	<b>144-156</b>
<b>DIMENSIONS DES RIVETS</b>	<b>157</b>
<b>KIT COMPLET MACHOIRES GARNIES+ACCESSOIRES</b>	<b>158-187</b>
<b>TAMBOURS DE FREIN ET KIT COMPLET</b>	<b>188-203</b>
<b>ILLUSTRATIONS</b>	<b>204-226</b>
<b>CORRESPONDANCE DES REFERENCES</b>	<b>227-295</b>
<b>TRADUCTION</b>	<b>296-307</b>
<b>AVIS DE NON-RESPONSABILITE</b>	<b>308</b>
 <b>SUMMARY</b>	<b>2</b>
<b>INTRODUCTION - PRODUCT NOVELTIES</b>	<b>3-4</b>
<b>ABBREVIATION - PART NUMBER EXPLANATION</b>	<b>5</b>
<b>HOW TO USE THE CATALOG</b>	<b>6</b>
<b>APPLICATION BY VEHICLE</b>	<b>7-141</b>
<b>BRAKE PARTS FOR MOBILE CRANES</b>	<b>142-143</b>
<b>BRAKE LINING RESEARCH BY SIZE</b>	<b>144-156</b>
<b>RIVETS DIMENSIONS</b>	<b>157</b>
<b>COMPLETE BRAKE SHOES KIT + FITTING KIT</b>	<b>158-187</b>
<b>BRAKE DRUMS AND COMPLETE BRAKE SHOES</b>	<b>188-203</b>
<b>DRAWINGS</b>	<b>204-226</b>
<b>CROSS REFERENCES LIST</b>	<b>227-295</b>
<b>TRANSLATION</b>	<b>296-307</b>
<b>DISCLAIMER</b>	<b>308</b>



## INTRODUCTION

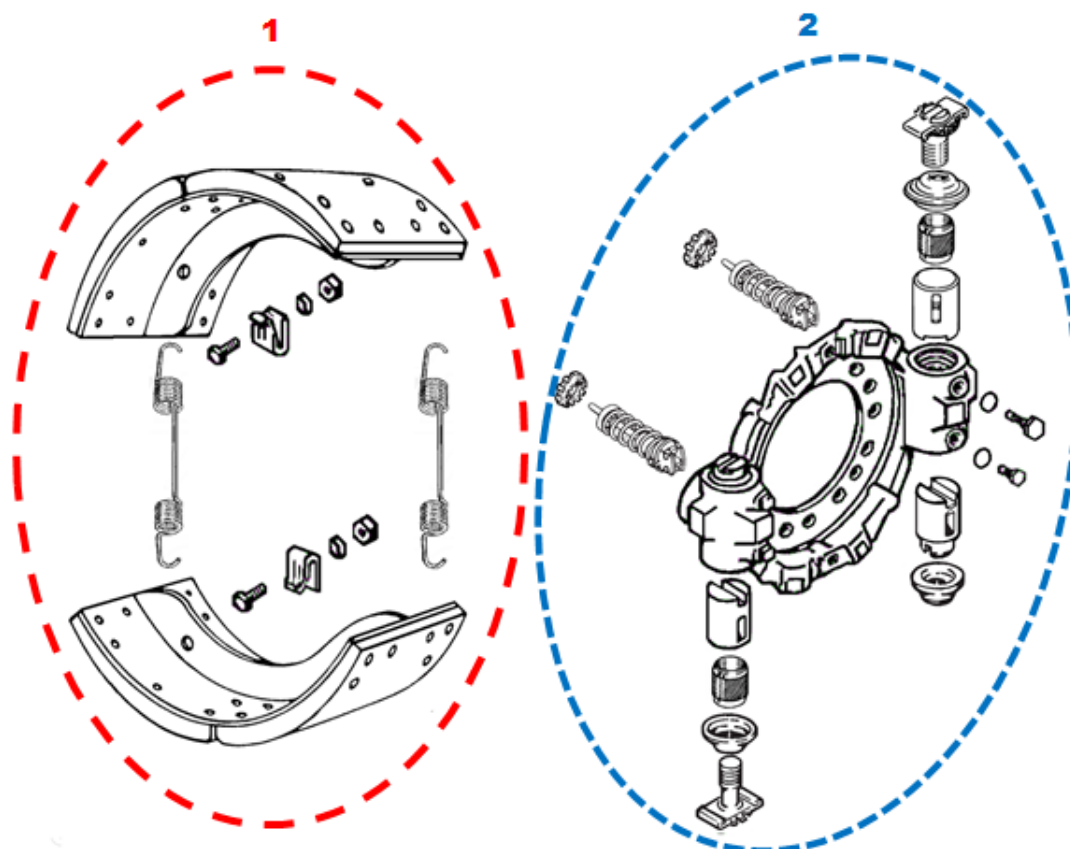
Ce catalogue est complémentaire aux catalogues existants de Textar (<http://www.gil-automotive.com/archives/textarcvcatalogue.pdf> ou sur [www.brakebook.com](http://www.brakebook.com)). La recherche par véhicule est simplifiée et représente 95% des ventes. La recherche des garnitures par dimensions inclut 99.5% des freins à tambours Européens existants (les garnitures avec terminaison xx sont sur demande et livrable sous 48 à 72 heures). Vous trouverez dans ILLUSTRATIONS les pièces complémentaires pour réaliser les opérations de maintenance des freins les plus importants ; ceux-ci se retrouvent en effectuant une recherche par les 5 chiffres du WVA ou des 5 premiers chiffres de la référence Textar.

This catalog is complementary to existing Textar catalogs (<http://www.gil-automotive.com/archives/textarcvcatalogue.pdf> or [www.brakebook.com](http://www.brakebook.com)). Search by vehicle is simplified and represents 95% of sales. Search by linings dimensions includes 99.5% of the existing European drum brake (trim xx termination are available on demand and within 48 to 72 hours). Into DRAWINGS section you will find the additional parts to achieve the maintenance of the most popular the devant Textar reference; they can be found by searching by the 5 digits of the WVA or first 5 digits of Textar reference.

## Nouveautés /News

Nous avons beaucoup travaillé les kits de mâchoires garnies et actionneurs ou kit de réparation actionneurs. Vous retrouverez dans la partie applicative et dans les planches représentatives par type de frein. Ces planches sont composées en ensemble **FRICTION (1)** et **ACTION (2)**

We have worked a lot on lined brake shoes kits and actuators or actuator repair kits. You will find in the application part and in representative sets by type of brake. These sets are composed in **FRICTION (1)** and **ACTION (2)** sets.



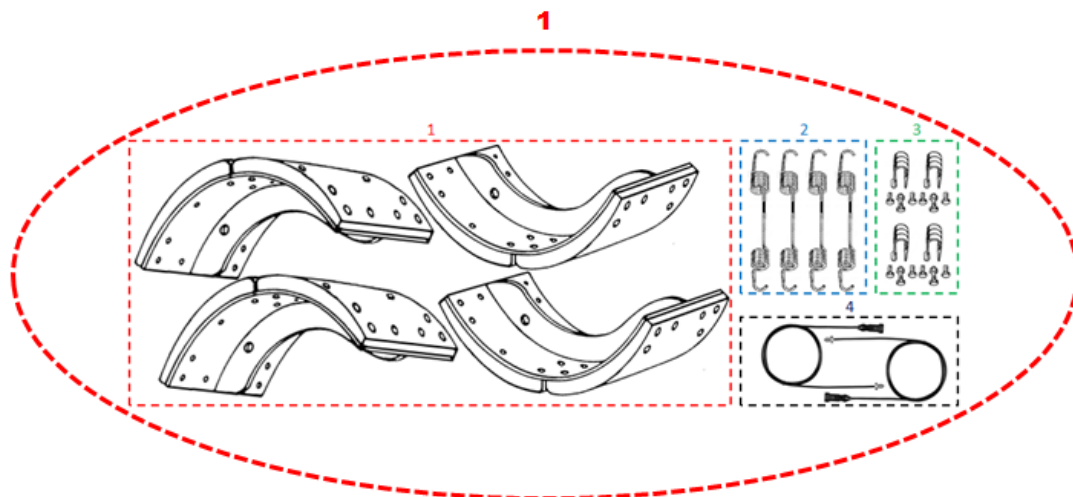


**Nouveautés /News ..!..**

**FRICION (1)**

Vous trouverez dans ce catalogue pour les montages les plus courants des kits de mâchoires garnies avec et sans accessoires. Vous pourrez également acheter les accessoires séparément comme indiqué dans le schéma ci-dessous:

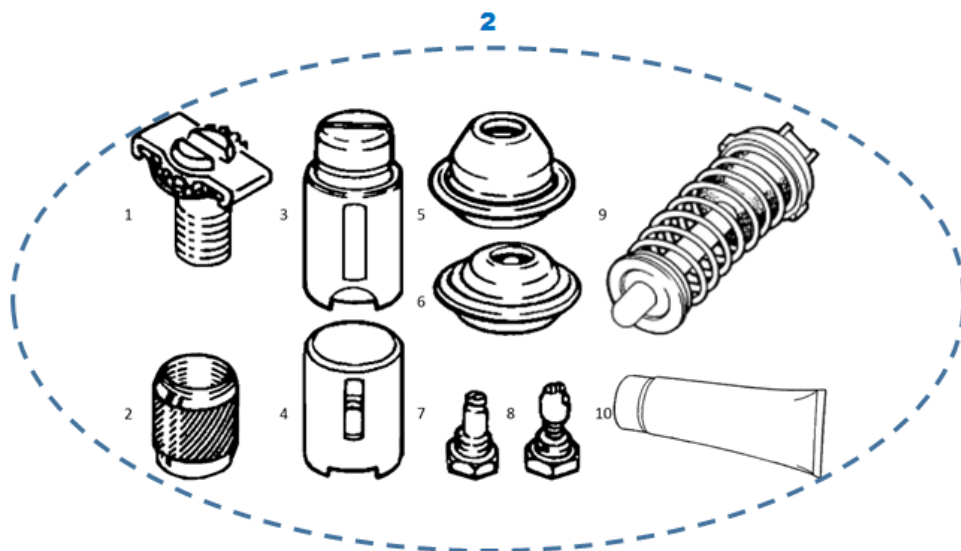
You will find in this catalog for the most popular lined brake shoes kits with and without fitting kits. You will also be able to purchase the fitting kits separately as shown in the diagram below:



**ACTION (2)**

Vous trouverez dans ce catalogue pour les montages les plus courants des kits de réparation pour actionneurs ou l'actionneur complet. Vous pourrez également acheter chaque composant séparément comme indiqué dans le schéma ci-dessous:

You will find in this catalogue the most popular actuators repair kits assemblies or the complete actuators. You will also be able to purchase each component separately as shown in the diagram below:








CATALOGUE PIECES DE FRICTIONS A  
 TAMBOURS POIDS LOURDS  
 MÂCHOIRES DE FREIN GARNIES ET KIT DE  
 GARNITURES AVEC ACCESSOIRES  
 CV DRUM LININGS PART CATALOGUE  
 CV LINED BRAKE SHOES AND CV LINING  
 KITS WITH FITTING KITS




ABREVIATIONS	Français	English
410x200	Ø Tambour x Largeur Garniture	Drum Ø x Lining width
AV/F	Essieu avant	Front axle
AR/R2	Essieu auxiliaire	Auxiliary axle
AR/R	Essieu arrière	Rear axle
SIMPLEX	1 Actionneur	1 Actuator
DUPLEX	2 Actionneurs	2 Actuators
RPP	Remplacé par Frein à coin	Superseded Wedge Brake
EXPLICATIONS DES REFERENCES / PARTNUMBERS EXPLANATION		
MACxxxxx	Mâchoire nue	Unlined brake shoe
MACxxxxxCAST	Mâchoire nue en fonte	Cast Unlined brake shoe
MACxxxxx/2	Mâchoires nues en kit de 2 pièces	Unlined brake shoes kit 2 piec- es
TFxxxx	Tambours de Frein	Brake drum
TFxxxxKMG	Tambours de Frein + mâchoires	Brake drum + lined shoes
TFxxxxKMGK	Tambours de Frein + mâchoires pour Kerax	Brake drum + lined shoes for Kerax





 Après ouverture du catalogue, veuillez taper les touches de votre clavier (**Ctrl+F**), une case va s'ouvrir (en vert) taper par exemple KERAX, appuyer sur entrée, vous remarquerez que vous arrivez sur les applications pour KERAX, appuyer sur entrée vous irez aux étriers pour le KERAX et vous continuez cette procédure afin de trouver le restant des pièces pour le KERAX. Vous pouvez également effectuer une recherche d'un numéro OES exemple: Veuillez taper les touches de votre clavier (**Ctrl+F**), écrivez 5001825627 puis entrée vous arriverez directement à la référence 1925501 Après avoir trouvé la référence 1925501, vous pouvez la copier en la surbrillant puis (**Ctrl+C**) et téléchargez le tarif général puis (**Ctrl+F**) et (**Ctrl+V**) pour coller, puis entrée, vous trouverez alors le prix et le code de remise du produit dans ce cas c'est 6.

 After opening the catalog, please type the keys on your keyboard (**Ctrl + F**), a pop up will be open (green) eg type KERAX, press enter, you will notice that you get the master cylinder KERAX, press on entry then go to the caliper application for KERAX and you continue this process to find the remaining parts for KERAX. You can also search an OES number example: Please type in your keyboard (**Ctrl + F**), then write 5001825627 entry you come to the partnumber 1925501 After finding the part number 1925501, you can copy it on the brilliant and (**Ctrl + C**) and then download list price (**Ctrl + F**) and (**Ctrl + V**) to paste and press Enter, you then find the price and the product discount code in this case is 6.



# APPLICATION PAR VEHICULES APPLICATION BY VEHICLES



## BPW

300x60 - 17,5"	300x060 CO +0 mm	15004	<b>1500401</b>	<b>RIV410</b>	
NR (NRDZF11010ECO-MAXX; NRDZF13010; NRDZFH 13010; NRDZFOT13010D36; NRDZM13010; NRDZMH13010; NRIZ10000; NRIZ11000-20; NRIZ12000; NRIZ13000; NRIZ13000-30; NRIZ8000; NRIZ9000; NRIZ9000-17; NRIZD10000; NRIZD6000; NRIZD8000; NRIZD9000; NRIZDH10000; NRIZDOT6000) - 17,5"	300x100 CO +0 mm 18mm	17347	<b>17347001541</b>	<b>RIV815</b>	
NH (NH6008; NH6010; NH6408; NH6410; NH8010; NH9010; NHL12010R; NHS6006ECO; NHS6408ECO; NHS6408ECO-MAXX; NHS9008; NHS9008ECO; NHSF12010-15ECO; NHSF12010-15ECO-MAXX; NHSF6408ECO- MAXX; NHSF6410; NHSF6410ECO; NHSF6410ECO-MAXX; NHSF9010ECO; NHSF9010ECO-MAXX) - 17,5"	300x150 CO +0 mm SN 3015	19573	<b>1957308</b>	<b>RIV815</b>	
ECO 95 SN3015 - 17,5"	300x150 CO +0 mm	19573	<b>1957308</b>	<b>RIV815</b>	<b>MAC9573BPV3 1957375</b>
NH series - 17,5"	300x150 CO +0 mm	19102	<b>1910205</b>	<b>RIV815</b>	
300x150 - 17,5"	300x150 CO +0 mm	19396	<b>19396001541</b>	<b>RIV815</b>	
300x200 - 17,5"	300x200 CO +0 mm SN 3020	19574	<b>1957422</b>	<b>RIV815</b>	
ECO 95 SN3020 - 17,5"	300x200 CO +0 mm SN 3020	19574	<b>1957422</b>	<b>RIV815</b>	<b>MAC9574BPV3 1957475</b>
300x200 - 17,5"	300x200 CO +0 mm	19103	<b>1910301</b>	<b>RIV815</b>	
AGRICOLE - 17,5"	310x080 CO +0 mm	55173	<b>55173001517</b>	<b>RIV615T11</b>	
310x80 - 17,5"	310x080 CO +0 mm	15826	<b>1582602</b>	<b>RIV615T11</b>	
350x60 - 19,5"	350x060 CO +0 mm	15044	<b>1504401</b>	<b>RIV610</b>	
360x160 SN 3616 - 19,5"	360x160 CO +0 mm	19952	<b>1995201</b>	<b>RIV815</b>	
ECO 95 SN 3620 - 19,5"	360x200 CO +0 mm	19902	<b>1990200764</b>	<b>RIV815</b>	<b>MAC9902 1990270</b>
400x80 - 22,5"	400x080 CO +0 mm	15247	<b>1524700929</b>	<b>RIV510</b>	
400x120 - 22,5"	400x120 CO +0 mm	17115	<b>17115001517</b>	<b>RIV815</b>	
400x120 - 22,5"	400x120 CO +0 mm	17001	<b>1700101</b>	<b>RIV818</b>	

# APPLICATION PAR VEHICULES APPLICATION BY VEHICLES



## BPW ..../.

410x120 - 22,5"		410x120 CO +0 mm	17405	<b>1740501</b>	<b>RIV815</b>	
410x180 AGRICOLE GS- 22,5"		410x180 CO +0 mm	19081	<b>1908101</b>	<b>RIV815</b>	
420x120 - 22,5"		420x120 CO +0 mm	17377	<b>1737707</b>	<b>RIV815</b>	
420x140 - 22,5"		420x140 CO +0 mm	17456	<b>1745605</b>	<b>RIV818</b>	
420x160 E; EH SN 4216 - 22,5"		420x160 CO +0 mm	19200	<b>1920005</b>	<b>RIV815</b>	
H & EH >1995 SN4218.1 - 22,5"		420x180 CO +0 mm	19032	<b>1903230</b>	<b>RIV815</b>	<b>1903270</b>
ECO 95 SN4218.2 - 22,5" V1		420x180 CO +0 mm	19032	<b>1903230</b>	<b>RIV815</b>	<b>1903271</b>
ECO 95 SN4218.2 - 22,5" V2		420x180 CO +0 mm	19032	<b>1903230</b>	<b>RIV815</b>	<b>1903272</b>
ECO 95 SN4218.2 - 22,5" KEY LINING		420x180 CO +0 mm	19191	<b>1919101</b>	<b>RIV815</b>	
H & EH >1995 SN4220.1 - 22,5"		420x200 CO +0 mm	19094	<b>1909437</b>	<b>RIV815</b>	<b>1909470</b>
ECO 95 SN4220.2 - 22,5" V1		420x200 CO +0 mm	19094	<b>1909437</b>	<b>RIV815</b>	<b>1909471</b>
ECO 95 SN4220.2 - 22,5" V2		420x200 CO +0 mm	19094	<b>1909437</b>	<b>RIV815</b>	<b>1909472</b>
ECO 95 SN4220.2 - 22,5" KEY LINING		420x200 CO +0 mm	19192	<b>1919201</b>	<b>RIV815</b>	
420x220 - 22,5"		420x220 CO +0 mm	19591	<b>1959111</b>	<b>RIV815</b>	
500x200 - 25,0"		500x200 CO +0 mm	19602	<b>19602001517</b>	<b>RIV818</b>	

## COLAERT

ADR FAD BRAKE 310S - 17,5"		300x100 AGRICOLE	57251	<b>57251001561</b>	<b>RIV812</b>	
ADR FAD BRAKE 314S - 17,5"		300x135 AGRICOLE	57248	<b>57248001561</b>	<b>RIV812</b>	
ADR FAD BRAKE 314E - 17,5"		300x135 AGRICOLE	57250	<b>57250001561</b>	<b>RIV812</b>	
ADR FAD - 17,5"		300x150 AGRICOLE	59338	<b>59338001561</b>	<b>RIV815</b>	
ADR FAD 316.PA - 17,5"		300x160 AGRICOLE	59335	<b>59335001561</b>	<b>RIV815</b>	
COLAERT - 17,5"		305x200 ROUTIER	19996	<b>1999600412</b>	<b>RIV815</b>	
ADR - 19,5"		350x160 AGRICOLE	57335	<b>57335001561</b>	<b>RIV815</b>	
ADR FAD 406A, 406E, 412S - 22,5"		406x120 AGRICOLE	17016	<b>17016301561</b>	<b>RIV812</b>	
ADR FAD - 22,5"		406x140 AGRICOLE	17336	<b>1733630934</b>	<b>RIV818</b>	
COLAERT - 22,5"		414x200 ROUTIER	19406/19407	<b>1940600929</b>	<b>RIV618</b>	

## DAF

45 (FA 45.120; FA 45.130; FA 45.150; FA 45.160; FA 45.180 B06/08/C08) 05.91-12.00	AR/R	325x098 PERROT	15817/15823	<b>1581702</b>	<b>RIV820</b>	
45 (FA 45.150; FA 45.160; FA 45.180; FA 45.210 B10/B11/C09/C11) 05.91-12.00	AR/R	325x147 PERROT	17900/17901	<b>1790007</b>	<b>RIV820</b>	



# APPLICATION PAR VEHICULES APPLICATION BY VEHICLES



**DAF ../..**

50 F	AV/F 360x170	PERROT	19503	<b>1950300764</b>	<b>RIV816</b>	<b>MAC9503</b>	<b>1950378</b>	
				<b>1950308</b>				
	AR/R 360x170		19503	<b>1950300764</b>	<b>RIV816</b>	<b>MAC9503</b>	<b>1950378</b>	
				<b>1950308</b>				
55 (FA 55.150; FA 55.180; FA 55.210; FA 55.230; FAG 55.210; B13/B15/B21) 11.95-12.00	AR/R 360x170	PERROT	19503	<b>1950300764</b>	<b>RIV816</b>	<b>MAC9503</b>	<b>1950378</b>	
				<b>1950308</b>				
65 (FA 65.180; FA 65.210; FA 65.240; FAV 65.180; FAV 65.210) 03.93.-02.98	AR/R 420x200	DAF	19063/19064	<b>1906300764</b>	<b>RIV6.517</b>	<b>MAC9063/64</b>	<b>1906380</b>	<b>TF1910</b>
				<b>1906303</b>				
65 (FA65.180; FA65.210; FA65.240; FAV65.180; FAV65.210) 03.93.-02.98	AV/F 420x150	DAF	19010/19011	<b>1901005</b>	<b>RIV6.517</b>			
65 CF (FA65CF180; FA65CF210; FA65CF240; FAV65CF180; FAV65CF210) 03.98-12.00	AV/F 420x150	DAF	19010/19011	<b>1901005</b>	<b>RIV6.517</b>			
	AR/R 420x200		19063/19064	<b>1906300764</b>	<b>RIV6.517</b>	<b>MAC9063/64</b>	<b>1906380</b>	<b>TF1910</b>
				<b>1906303</b>				<b>TF1910KMG</b>
75 (FA75.240; FA75.270; FA75.300; FT75.240; FT75.270; FT75.300 /4x2; FAV75.240; FAV75.270 /4x4) 07.92-02.98	AV/F 420x150	DAF	19010/19011	<b>1901005</b>	<b>RIV6.517</b>			
	AR/R 420x200		19063/19064	<b>1906300764</b>	<b>RIV6.517</b>	<b>MAC9063/64</b>	<b>1906380</b>	<b>TF1910</b>
				<b>1906303</b>				<b>TF1910KMG</b>
75 (FAG75.240; FAG75.270; FAG75.300; FAN75.240; FAN75.270; FAN75.300) (6x2/4) 07.92.-02.98	AV/F 420x175	DAF	19052/19055	<b>1905201</b>	<b>RIV6.517</b>			
	AR/R 420x150		19010/19011	<b>1901005</b>	<b>RIV6.517</b>			
75 (FAR75.240; FAR75.270; FAR75.300; FAS75.240; FAS75.270; FAS75.300) (6x2) 07.92-02.98	AV/F 420x150	DAF	19010/19011	<b>1901005</b>	<b>RIV6.517</b>			
	AR/R2 420x150		19010/19011	<b>1901005</b>	<b>RIV6.517</b>			
	AR/R 420x200		19063/19064	<b>1906300764</b>	<b>RIV6.517</b>	<b>MAC9063/64</b>	<b>1906380</b>	<b>TF1910</b>
				<b>1906303</b>				<b>TF1910KMG</b>
75 (FAT75.270) (6x4) 07.92-02.98	AV/F 420x175	DAF	19052/19055	<b>1905201</b>	<b>RIV6.517</b>			
	AR/R 420x200		19063/19064	<b>1906300764</b>	<b>RIV6.517</b>	<b>MAC9063/64</b>	<b>1906380</b>	<b>TF1910</b>
				<b>1906303</b>				<b>TF1910KMG</b>
75 CF (FA75CF250; FA75CF290; FA75CF320; FT75CF250; FT75CF290; FT75CF320) (4x2) 02.98-12.00	AV/F 420x150	DAF	19010/19011	<b>1901005</b>	<b>RIV6.517</b>			
	AR/R 420x200	DAF	19063/19064	<b>1906300764</b>	<b>RIV6.517</b>	<b>MAC9063/64</b>	<b>1906380</b>	<b>TF1910</b>
				<b>1906303</b>				<b>TF1910KMG</b>
75 CF (FAG75CF250; FAG75CF290; FAG75CF320; FAN75CF250; FAN75CF290; FAN75CF320) (6x2/4) 02.98-12.00	AV/F 420x175	DAF	19052/19055	<b>1905201</b>	<b>RIV6.517</b>			
	AR/R2 420x150	DAF	19010/19011	<b>1901005</b>	<b>RIV6.517</b>			
	AR/R 420x200	DAF	19063/19064	<b>1906300764</b>	<b>RIV6.517</b>	<b>MAC9063/64</b>	<b>1906380</b>	<b>TF1910</b>
				<b>1906303</b>				<b>TF1910KMG</b>

# APPLICATION PAR VEHICULES APPLICATION BY VEHICLES



## DAF ../.

75 CF (FAR75CF250; FAR75CF290; FAR75CF320; FAS75CF250; FAS75CF290; FAS75CF320) (6x2) 02.98-12.00	AV/F	420x150 DAF	19010/19011	<b>1901005</b>	<b>RIV6.517</b>			
	AR/R2	420x150 DAF	19010/19011	<b>1901005</b>	<b>RIV6.517</b>			
	AR/R	420x200 DAF	19063/19064	<b>1906300764</b> <b>1906303</b>	<b>RIV6.517</b>	<b>MAC9063/64</b>	<b>1906380</b>	<b>TF1910</b> <b>TF1910KMG</b>
75 CF (FAT75CF250; FAT75CF290; FAT75CF320) (6x4) 02.98.-12.00	AV/F	420x175 DAF	19052/19055	<b>1905201</b>	<b>RIV6.517</b>			
	AR/R	420x200 DAF	19063/19064	<b>1906300764</b> <b>1906303</b>	<b>RIV6.517</b>	<b>MAC9063/64</b>	<b>1906380</b>	<b>TF1910</b> <b>TF1910KMG</b>
85 (FA85.330; FA85.360; FA85.400; FT85.330; FT85.360; FT85.400) (4x2) 07.92- 02.98	AV/F	420x150 DAF	19010/19011	<b>1901005</b>	<b>RIV6.517</b>			
	AR/R	420x200 DAF	19063/19064	<b>1906300764</b> <b>1906303</b>	<b>RIV6.517</b>	<b>MAC9063/64</b>	<b>1906380</b>	<b>TF1910</b> <b>TF1910KMG</b>
85 (FAD85.330; FAD85.360; FAD85.400; FAT85.330; FAT85.360; FAT85.400; FTT85.330; FTT85.360; FTT85.400) (8x4/4 & 6x4) 07.92-02.98	AV/F	420x175 DAF	19052/19055	<b>1905201</b>	<b>RIV6.517</b>			
	AR/R	420x200 DAF	19063/19064	<b>1906300764</b> <b>1906303</b>	<b>RIV6.517</b>	<b>MAC9063/64</b>	<b>1906380</b>	<b>TF1910</b> <b>TF1910KMG</b>
85 (FAG85.330; FAG85.360; FAG85.400; FAR85.330; FAR85.360; FAR85.400; FAS85.330; FAS85.360; FAS85.400; FTG85.330; FTG85.360; FTG85.400) (6x2/2/4) 07.92-02.98	AV/F	420x150 DAF	19010/19011	<b>1901005</b>	<b>RIV6.517</b>			
	AR/R2	420x150 DAF	19010/19011	<b>1901005</b>	<b>RIV6.517</b>			
	AR/R	420x200 DAF	19063/19064	<b>1906300764</b> <b>1906303</b>	<b>RIV6.517</b>	<b>MAC9063/64</b>	<b>1906380</b>	<b>TF1910</b> <b>TF1910KMG</b>
85 CF (FA85CF340; FA85CF380; FA85CF430; FT85CF340; FT85CF380; FT85CF430) (4x2) 03.98-12.00	AV/F	420x150 DAF	19010/19011	<b>1901005</b>	<b>RIV6.517</b>			
	AR/R	420x200 DAF	19063/19064	<b>1906300764</b> <b>1906303</b>	<b>RIV6.517</b>	<b>MAC9063/64</b>	<b>1906380</b>	<b>TF1910</b> <b>TF1910KMG</b>
85 CF (FAC85CF340; FAC85CF380; FAC85CF430; FAG85CF340; FAG85CF380; FAG85CF430; FAN85CF340; FAN85CF380; FAN85CF430; FAR85CF340; FAR85CF380; FAR85CF430; FAS85CF340; FAS85CF380; FAS85CF430; FTG85CF340; FTG85CF380; FTG85CF430) (8x2 & 6x2/4 & 6x2) 03.98- 12.00	AV/F	420x150 DAF	19010/19011	<b>1901005</b>	<b>RIV6.517</b>			
	AR/R2	420x150 DAF	19010/19011	<b>1901005</b>	<b>RIV6.517</b>			
	AR/R	420x200 DAF	19063/19064	<b>1906300764</b> <b>1906303</b>	<b>RIV6.517</b>	<b>MAC9063/64</b>	<b>1906380</b>	<b>TF1910</b> <b>TF1910KMG</b>
85 CF (FAD85CF340; FAD85CF380; FAD85CF430; FAT85CF340; FAT85CF380; FAT85CF430; FTT85CF340; FTT85CF380)	AV/F	420x175 DAF	19052/19055	<b>1905201</b>	<b>RIV6.517</b>			
	AR/R	420x200 DAF	19063/19064	<b>1906300764</b> <b>1906303</b>	<b>RIV6.517</b>	<b>MAC9063/64</b>	<b>1906380</b>	<b>TF1910</b> <b>TF1910KMG</b>

# APPLICATION PAR VEHICULES APPLICATION BY VEHICLES



## DAF ../.

95 (FA95.310; FA95.350; FA95.380; FAD95.310; FAD95.330; FAD95.350; FAD95.380; FAR95.310; FAG95.350; FAR95.350; FAS95.350; FAT95.350; FAT95.380; FT95.310; FTG95.310; FTG95.330; FTG95.350; FTG95.380; FTS95.350; FTS95.380; FTT95.310; FTT95.330; FTT 95.350; FTT95.380) (4x2 & 6x2 & 6x4 & 8x4/4 & 6x2/2/4) 09.87-09.90	AV/F	420x175	DAF	19888/19889	<b>1988802</b>	<b>RIVL10</b>			
	AV/F	420x150	DAF (OPTION)	19900/19901	<b>1990002</b>	<b>RIVL10</b>			
	AR/R	420x175	DAF	19888/19889	<b>1988802</b>	<b>RIVL10</b>			
	AR/R	420x150		19900/19901	<b>1990002</b>	<b>RIVL10</b>			
	AR/R	420x200	DAF (OPTION)	19890/19891	<b>1989002</b>	<b>RIVL10</b>			
	AR/R	420x240		19914/19915	<b>1991403</b>	<b>RIVL10</b>			
95 (FA95.330; FA95.360; FA95.400; FA95.430; FT95.330; FT95.360; FT95.400; FT95.430) (4x2) 08.90-01.98	AV/F	420x150		19010/19011	<b>1901005</b>	<b>RIV6.517</b>			
	AR/R	420x200	DAF	19063/19064	<b>1906300764</b> <b>1906303</b>	<b>RIV6.517</b>	<b>MAC9063/64</b>	<b>1906380</b>	<b>TF1910</b> <b>TF1910KMG</b>
	AV/F	420x150		19010/19011	<b>1901005</b>	<b>RIV6.517</b>			
95 (FAC95.310; FAC95.330; FAC95.350; FAC95.360; FAC95.380; FAC95.400; FAC95.430) (8x2/4) 08.90-01.98	AR/R2	420x150	DAF	19010/19011	<b>1901005</b>	<b>RIV6.517</b>			
	AR/R	420x200		19063/19064	<b>1906300764</b> <b>1906303</b>	<b>RIV6.517</b>	<b>MAC9063/64</b>	<b>1906380</b>	<b>TF1910</b> <b>TF1910KMG</b>
95 (FAD95.360; FAD95.400; FAD95.430; FAT95.360; FAT95.400; FAT95.430; FT95.500; FTT95.360; FTT95.400;	AV/F	420x175		19052/19055	<b>1905201</b>	<b>RIV6.517</b>			
	AR/R	420x200	DAF	19063/19064	<b>1906300764</b> <b>1906303</b>	<b>RIV6.517</b>	<b>MAC9063/64</b>	<b>1906380</b>	<b>TF1910</b> <b>TF1910KMG</b>
	AV/F	420x175	DAF	19052/19055	<b>1905201</b>	<b>RIV6.517</b>			
95 (FAG95.310; FAG95.330; FAG95.350; FAG95.360; FAG95.380; FAG95.400; FAG95.430) (8x2/4) 08.90-01.98	AR/R2	420x175	DAF	19052/19055	<b>1905201</b>	<b>RIV6.517</b>			
	AR/R	420x200	DAF	19063/19064	<b>1906300764</b> <b>1906303</b>	<b>RIV6.517</b>	<b>MAC9063/64</b>	<b>1906380</b>	<b>TF1910</b> <b>TF1910KMG</b>
95 (FAK95.360; FAK95.400; FAK95.430; FAR95.330; FAR95.400; FAR95.430; FAS95.330; FAS95.400; FAS95.430; FTG95.360; FTG95.400; FTG95.430; FTR95.360; FTR95.400; FTR95.430; FTS95.360; FTS95.400; FTS95.430) (6x2/2/4 & 6x2 & 8x2) 08.90-01.98	AV/F	420x150		19010/19011	<b>1901005</b>	<b>RIV6.517</b>			
	AR/R2	420x150		19010/19011	<b>1901005</b>	<b>RIV6.517</b>			
	AR/R	420x200	DAF	19063/19064	<b>1906300764</b> <b>1906303</b>	<b>RIV6.517</b>	<b>MAC9063/64</b>	<b>1906380</b>	<b>TF1910</b> <b>TF1910KMG</b>
	AV/F	420x150		19010/19011	<b>1901005</b>	<b>RIV6.517</b>			
95 (FAR95.360; FAR95.380; FAS95.360; FAS95.380) (6x2/2/4) 08.90-01.98	AR/R2	420x150	DAF	19010/19011	<b>1901005</b>	<b>RIV6.517</b>			
	AR/R	420x200		19063/19064	<b>1906300764</b> <b>1906303</b>	<b>RIV6.517</b>	<b>MAC9063/64</b>	<b>1906380</b>	<b>TF1910</b> <b>TF1910KMG</b>



# APPLICATION PAR VEHICULES APPLICATION BY VEHICLES



## DAF ../.

95 (Surbaissé / Low Deck) 08.90-01.98	AV/F 381x180	MERITOR	19492	<b>1949200929</b>	<b>RIVL09</b>			
	AR/R 381x180		19492	<b>1949200929</b>	<b>RIVL09</b>			
95 XF (FA95XF380; FA95XF430; FA95XF480; FA95XF530) (4x2) 01.97-09.02	AV/F 420x150	DAF	19010/19011	<b>1901005</b>	<b>RIV6.517</b>			
	AR/R 420x200		19063/19064	<b>1906300764</b> <b>1906303</b>	<b>RIV6.517</b>	<b>MAC9063/64</b>	<b>1906380</b>	<b>TF1910</b> <b>TF1910KMG</b>
95 XF (FAC95XF380; FAC95XF430; FAC95XF480; FAC95XF530; FAR95XF380; FAR95XF430; FAR95XF480; FAR95XF530; FAS95XF380; FAS95XF430; FAS95XF480; FAS95XF530; FTP95XF430; FTR95XF380; FTR95XF430; FTR95XF480; FTR95XF530; FTS95XF380; FTS95XF430; FTS95XF480; FTS95XF530) (6x2 & 8x2) 01.97-09.02	AV/F 420x150	DAF	19010/19011	<b>1901005</b>	<b>RIV6.517</b>			
	AR/R2 420x150		19010/19011	<b>1901005</b>	<b>RIV6.517</b>			
95 XF (FAD95XF380; FAD95XF430; FAD95XF480; FAD95XF530; FAT95XF380; FAT95XF430; FAT95XF480; FAT95XF530; FTT95XF380; FTT95XF430; FTT95XF480; FTT95XF530) (8x4/4 & 6x4) 01.97-09.02	AR/R 420x200		19063/19064	<b>1906300764</b> <b>1906303</b>	<b>RIV6.517</b>	<b>MAC9063/64</b>	<b>1906380</b>	<b>TF1910</b> <b>TF1910KMG</b>
	AV/F 420x175		19052/19055	<b>1905201</b>	<b>RIV6.517</b>			
95 XF (FTG95XF380; FTG95XF430; FTG95XF480; FTG95XF530) (6x2/4) 01.97-09.02	AR/R 420x200	DAF	19063/19064	<b>1906300764</b> <b>1906303</b>	<b>RIV6.517</b>	<b>MAC9063/64</b>	<b>1906380</b>	<b>TF1910</b> <b>TF1910KMG</b>
	AR/R2 420x175	DAF	19052/19055	<b>1905201</b>	<b>RIV6.517</b>			
105 XF (FA105.410; FA105.460; FA105.510; FAD105.410; FAD105.460; FAD105.510; FAK105.410; FAK105.460; FAK105.510; FAN105.410; FAN105.460; FAN105.510; FAR105.410; FAR105.460; FAR105.510; FAS105.410; FAS105.460; FAS105.510; FAT105.410; FAT105.460; FAT105.510; FT105.410; FT105.460; FT105.510; FTG105.410; FTG105.460; FTG105.510; FTM105.410; FTM105.460; FTM105.510; FTP105.410; FTP105.460; FTP105.510; FTR105.410; FTS105.410) (6x2 & 6x2/4 & 6x4 & 8x2/4 & 8x4/4) 10.05-	AR/R2 410x200	MERITOR	19071	<b>1907100764</b> <b>1907102</b>	<b>RIVL11</b>	<b>MAC9071/2</b>	<b>1907180</b>	



# APPLICATION PAR VEHICULES APPLICATION BY VEHICLES



## DAF ../.

CF 65 (FA65.300) (4x2) 01.01-	AV/F	420x150		19010/19011	<b>1901005</b>	<b>RIV6.517</b>			
	AR/R	420x200	DAF	19063/19064	<b>1906300764</b> <b>1906303</b>	<b>RIV6.517</b>	<b>MAC9063/64</b>	<b>1906380</b>	<b>TF1910</b> <b>TF1910KMG</b>
F 500 (FA500DE) (4x2) 12.77-12.79	AV/F	310x100	BENDIX	17829/17799	<b>1782900929</b>	<b>RIV512</b>			
	AR/R	310x125	(HYDRO)	17831/17832	<b>1783100764</b> <b>1783102</b>	<b>RIV512</b>			
F 600 (FA600CD) (4x2) 12.86-12.92	AR/R	325x098	PERROT	15817/15823	<b>1581702</b>	<b>RIV820</b>			
F 700 (FA700DE) (4x2) 12.75-12.79	AV/F	310x100	BENDIX	17829/17799	<b>1782900929</b>	<b>RIV512</b>			
	AR/R	310x125	(HYDRO)	17831/17832	<b>1783100764</b> <b>1783102</b>	<b>RIV512</b>			
F 800 (FA800CB) (4x2) 05.87-08.91	AR/R	325x098	PERROT	15817/15823	<b>1581702</b>	<b>RIV820</b>			
F 800 (FA800CN) (4x2) 05.87-08.91	AV/F	325x120	BENDIX	17827/17828	<b>1782700764</b> <b>1782704</b>	<b>RIV512</b>			
	AR/R	325x150	(HYDRO)	19620/19621	<b>1962004</b>	<b>RIV512</b>			
F 900 (FA900BDD; FA900BDF; FA900BDT; FA900DE) (4x2) 01.75-11.88	AV/F	325x120	BENDIX	17827/17828	<b>1782700764</b> <b>1782704</b>	<b>RIV512</b>			
	AR/R	325x150	(HYDRO)	19620/19621	<b>1962004</b>	<b>RIV512</b>			
F 1000 (FA1000CB; FA1000CN) 12.86-12.92	AR/R	325x147	PERROT	17900/17901	<b>1790007</b>	<b>RIV820</b>			
F 1100 (4x2) 01.78-12.86	AV/F	394x127	AP	17804	<b>1780400412</b>	<b>RIV615T11</b>			
	AR/R	394x152	LOCKHEED	19622	<b>1962200412</b>	<b>RIV615T11</b>			
F 1100 (FA1100DD; FA1100DF; FA1100DNTD; FA1100DT) (4x2) 01.78-11.90	AV/F	325x120	BENDIX	17827/17828	<b>1782700764</b> <b>1782704</b>	<b>RIV512</b>			
	AR/R	325x150	(HYDRO)	19620/19621	<b>1962004</b>	<b>RIV512</b>			
F 1200 (4x2) 01.78-12.86	AV/F	356x100	BENDIX	17582/17805	<b>17582003548</b>	<b>RIV512</b>			
	AR/R	356x100	(HYDRO)	17582/17805	<b>17582003548</b>	<b>RIV512</b>			
F 1200 (FA1200DD) (4x2) 01.69-12.81	AV/F	394x127	AP	17804	<b>1780400412</b>	<b>RIV615T11</b>			
	AR/R	394x152	LOCKHEED	19622	<b>1962200412</b>	<b>RIV615T11</b>			
F 1300 (4x2) 01.78-12.86	AV/F	394x127	AP	17804	<b>1780400412</b>	<b>RIV615T11</b>			
	AR/R	394x152	LOCKHEED	19622	<b>1962200412</b>	<b>RIV615T11</b>			
F 1300 (FA1300DF; FA1300DT; FA1300DT.B; FA1305DT) (4x2) 07.78-12.92	AR/R	394x152	AP LOCKHEED	19622	<b>1962200412</b>	<b>RIV615T11</b>			
	AV/F	360x170		19306	<b>19306007000</b>	<b>RIVL09</b>			
F 1300 (FA1300DNT; FA1300NT; FA1300DNTD; FA1300NB) (4x2) 07.78-12.92	AR/R	360x170	MERITOR	19306	<b>19306007000</b>	<b>RIVL09</b>			

# APPLICATION PAR VEHICULES APPLICATION BY VEHICLES



## DAF ../.

F 1400 (4x2) 01.78-12.86	AV/F	394x127	AP	17804	<b>1780400412</b>	<b>RIV615T11</b>
	AR/R	394x152	LOCKHEED	19622	<b>1962200412</b>	<b>RIV615T11</b>
F 1400 (FA1400DD) (4x2) 02.72-12.81	AR/R	394x152	AP LOCKHEED	19622	<b>1962200412</b>	<b>RIV615T11</b>
F 1500 (4x2) 01.78-12.86	AV/F	394x127	AP	17804	<b>1780400412</b>	<b>RIV615T11</b>
	AR/R	394x152	LOCKHEED	19622	<b>1962200412</b>	<b>RIV615T11</b>
F 1500 (FA1500DF; FD1500DF; FA1500DT; FD1500DT; FT1500DT) (4x2) 07.78-08.91	AR/R	394x152	AP LOCKHEED	19622	<b>1962200412</b>	<b>RIV615T11</b>
F 1600 (FA1600DF; FA1600DF; FA1600DT; FA1600DT; FGG1600DT; FGG1621DT; FT1600DT) (4x2 & 6x2/4) 01.70-08.91	AV/F	406x102	DAF	17383/17384	<b>1738300929</b>	<b>RIV6.517</b>
	AR/R	406x127		17324/17325	<b>17324xx</b>	<b>RIV6.517</b>
F 1700 (FA1700DNS; FA1700DNT; FA1700DNTD; FA1700NB; FA1700NT; FAG1700DNT; FAG1700DNTD; FAG1700NB; FAG1700NT; FD1700DNTD; FD1700NB) (4x2 & 6x2/4) 12.86-02.95	AV/F	360x170	MERITOR	19306	<b>19306007000</b>	<b>RIVL09</b>
	AR/R	360x170		19306	<b>19306007000</b>	<b>RIVL09</b>
F 1800 (FAV1800DT) (4x4) 01.70-08.91	AV/F	394x127	DAF	17766	<b>17766xx</b>	<b>RIVL09</b>
	AR/R	419x152		19150/19151	<b>1915002</b>	<b>RIVL09</b>
F 1900 (FA1900DNS; FA1900DNT; FA1900NS; FA1900NT; FAV1900DNT; FAV1900NT; FD1900DNT; FD1900NT; FT1900DNS; FT1900NS) (4x2 & 4x4) 01.90-09.93	AV/F	420x150	DAF	19010/19011	<b>1901005</b>	<b>RIV6.517</b>
	AR/R	420x175		19052/19055	<b>1905201</b>	<b>RIV6.517</b>
	AR/R	419x178	DAF (OPTION)	19256/19260	<b>1925602</b>	<b>RIVL09</b>
F 1900 (FA1900DNS; FA1900DNT; FA1900NS; FA1900NT; FAV1900DNT; FAV1900NT; FD1900DNT; FD1900NT; FT1900DNS; FT1900NS) (4x2 & 4x4) 12.86-12.89	AV/F	420x150	DAF	19900/19901	<b>1990002</b>	<b>RIVL10</b>
	AR/R	420x175		19888/19889	<b>1988802</b>	<b>RIVL10</b>
	AR/R	419x178	DAF (OPTION)	19256/19260	<b>1925602</b>	<b>RIVL09</b>

# APPLICATION PAR VEHICULES APPLICATION BY VEHICLES



## DAF ../.

F 2000 (FA2000DH; FA2000DHB; FAS2000DH; FAS2000DHB; FAT2000DH; FAT2000DHB; FM2000DH; FM2000DHB; FT2000DH; FT2000DHB) (4x2 & 6x2 & 6x4) 01.70- 12.79	AV/F	419x127	17263/17264	<b>1726301</b>	<b>RIV6.517</b>
		DAF			

AR/R	419x152	19150/19151	<b>1915002</b>	<b>RIVL09</b>
------	---------	-------------	----------------	---------------

F 2100 (FA2100DF; FA2100DH; FA2105DF; FA2105DHR; FA2105DHT; FA2105DHTD; FAG2100DH; FAG2105DH; FAG2100DHR; FAG2105DHR; FAG2100DHTD; FAS2100DHR; FAS2103DH; FAS2103DHR; FAS2103DHT; FAS2103DHTD; FAS2105DHR; FT2100DH; FT2105DH; FT2100DHR; FT2105DHT; FT2105DHTD) (4x2 & 6x2) 07.81-09.86	AV/F	419x152 DAF	19150/19151	<b>1915002</b>	<b>RIVL09</b>
---	------	-------------	-------------	----------------	---------------

AR/R	419x152 DAF	19150/19151	<b>1915002</b>	<b>RIVL09</b>
------	-------------	-------------	----------------	---------------

F 2100 (FA2105DH; FA2105DHT; FA2105DHTD; FAS2103DH; FAS2103DHTD; FAS2105DH; FT2100DH; FT2105DH; FT2100DHR; FT2105DHTD) (4x2 & 6x2) 01.87-12.88	AV/F	420x150	19900/19901	<b>1990002</b>	<b>RIVL10</b>
		DAF			

AR/R	420x175	19888/19889	<b>1988802</b>	<b>RIVL10</b>
------	---------	-------------	----------------	---------------

F 2100 (FA2105DH; FA2105DHT; FA2105DHTD; FAS2103DH; FAS2103DHTD; FAS2105DH; FT2100DH; FT2105DH; FT2100DHR; FT2105DHTD) (4x2 & 6x2) 01.89-08.91	AV/F	419x152	19024/19031	<b>1902401</b>	<b>RIV6.517</b>
		DAF			

AR/R	420x175	19052/19055	<b>1905201</b>	<b>RIV6.517</b>
------	---------	-------------	----------------	-----------------

F 2100 (FA2105DH; FA2105DHT; FA2105DHTD; FAS2103DH; FAS2103DHTD; FAS2105DH; FT2100DH; FT2105DH; FT2100DHR; FT2105DHTD) (4x2 & 6x2) 06.86-12.86	AV/F	419x152	19150/19151	<b>1915002</b>	<b>RIVL09</b>
		DAF			

AR/R	419x178	19256/19260	<b>1925602</b>	<b>RIVL09</b>
------	---------	-------------	----------------	---------------

F 2200 (FA2200DU; FAD2205DU; FAS2205DU; FAT2205DU; FAZ2205DU; FT2200DU) (4x2 & 6x2 & 6x4 & 6x6) 01.71-11.80	AV/F	419x127	17263/17264	<b>1726301</b>	<b>RIV6.517</b>
		DAF			

AR/R	419x152	19150/19151	<b>1915002</b>	<b>RIVL09</b>
------	---------	-------------	----------------	---------------

# APPLICATION PAR VEHICULES APPLICATION BY VEHICLES



## DAF ../.

F 2300 (FA2300DHR; FA2300DHU; FAB2305DHT; FAG2300DHT; FAG2305DH; FAG2305DHT; FAS2300DHR; FAS2300DHU; FAS2303DHU; FAS2305DHR; FAS2305DHU; FAT2305DH; FAT2305DHR; FAT2305DHU; FAT2335DHT; FMB2305DHU; FMT2305DHR; FMT2305DHU; FMT2335DHT; FT2300DHU; FT2305DHU) (4x2 & 6x2 & 6x2/2/4 & 6x2/4 & 6x4) 07.78-10.93	AV/F	419x152	19150/19151	<b>1915002</b>	<b>RIVL09</b>				
		DAF							
F 2300 (FA2300HT; FAG2300DHT; FAG2300DHTD; FAG2300HT; FAG2305DHT; FAG2305DHTD; FAR2300HT; FAT2300HT; FAT2335DHT; FAV2300HT; FMT2300HT; FT2300HT. FMT2335DHT) (4x2 & 4x4 & 6x2 & 6x2/2/4 & 6x2/4 & 6x4) 07.78-10.93	AV/F	419x152	19024/19031	<b>1902401</b>	<b>RIV6.517</b>				
		DAF							
	AR/R	420x200	19063/19064	<b>1906300764</b> <b>1906303</b>	<b>RIV6.517</b>	<b>MAC9063/64</b>	<b>1906380</b>	<b>TF1910</b> <b>TF1910KMG</b>	
F 2500 (FA2500DHS; FA2505DHS; FAD2535DHS; FAG2500DHS; FAG2505DHS; FAS2503DHS; FAT2525DHS; FAT2535DHS; FMD2525DHS; FMD2535DHS; FMT2525DHS; FMT2535DHS; FT2500DHS; FT2505DHS) (4x2 & 6x4 & 6x2/2/4 & 8x4/4) 02.82-12.86	AV/F	419x152	19150/19151	<b>1915002</b>	<b>RIVL09</b>				
		DAF							
	AR/R	419x178	19256/19260	<b>1925602</b>	<b>RIVL09</b>				
F 2500 (FA2505DHS; FAD2535DHS; FAG2500DHS; FAG2505DHS; FAS2503DHS; FAT2525DHS; FAT2535DHS; FMD2525DHS; FMD2535DHS; FMT2525DHS; FMT2535DHS; FT2505DHS) (4x2 & 6x4 & 6x2/2/4 & 8x4/4) 01.87-12.88	AV/F	420x150	19900/19901	<b>1990002</b>	<b>RIVL10</b>				
		DAF							
	AR/R	420x175	19888/19889	<b>1988802</b>	<b>RIVL10</b>				



# APPLICATION PAR VEHICULES APPLICATION BY VEHICLES



## DAF ../..

F 2500 (FA2505DHS; FAD2535DHS; FAG2500DHS; FAG2505DHS; FAS2503DHS; FAT2525DHS; FAT2535DHS; FMD2525DHS; FMD2535DHS; FMT2525DHS; FMT2535DHS; FT2505DHS) (4x2 & 6x4 & 6x2/2/4 & 8x4/4) 01.89-08.91	AV/F	419x152	19024/19031	<b>1902401</b>	<b>RIV6.517</b>			
		DAF						
F 2600 (FA2600DKB; FAS2600DKB; FAT2600DKB; FT2600DKB; FTT2600DKB) (4x2 & 6x2 & 6x4) 02.72- 12.73	AV/F	419x127	17263/17264	<b>1726301</b>	<b>RIV6.517</b>			
		DAF						
	AR/R	419x178	19256/19260	<b>1925602</b>	<b>RIVL09</b>			
F 2700 (FA2700HS; FAB2700HS; FAG2700HS; FAR2700HS; FAT2700HS; FMT2700HS; FT2700HS) (4x2 & 6x2/2/4 & 6x4) 01.90-10.93	AV/F	419x152	19024/19031	<b>1902401</b>	<b>RIV6.517</b>			
		DAF						
	AR/R	420x200	19063/19064	<b>1906300764</b> <b>1906303</b>	<b>RIV6.517</b>	<b>MAC9063/64</b>	<b>1906380</b>	<b>TF1910</b> <b>TF1910KMG</b>
F 2800 (FA2800DKA; FA2800DKS; FA2800DKSE; FA2800DKT; FA2800DKTD; FAB2805DKS; FAB2805DKTD; FAC2803DKS; FAD2805DKS; FAD2805DKTD; FAR2800DKS; FAR2804DKSE; FAS2800DKA; FAS2800DKS; FAS2800DKT; FAS2800DKTD; FAT2800DKA; FAT2800DKS; FAT2800DKT; FAT2800DKTD; FMD2805DKTD; FMD2825DKTD; FT2800DKA; FT2800DKS; FT2800DKT; FT2800DKTD; FTS2800DKA; FTS2800DKS; FTS2800DKT; FTS2800DKTD; FTT2800DKA; FTT2800DKS; FTT2800DKT; FTT2800DKTD) (4x2 & 6x2/4 & 6x2 & 6x2/2/4 & 6x4 & 8x2/4 & 8x4/4) 01.74-09.86	AV/F	419x152	19150/19151	<b>1915002</b>	<b>RIVL09</b>			
		DAF						
	AR/R	419x178	19256/19260	<b>1925602</b>	<b>RIVL09</b>			

# APPLICATION PAR VEHICULES APPLICATION BY VEHICLES



## DAF ../.

F 2800 (FA2800DKTD; FAD2825DKTD; FAS2803DKS; FAS2803DKTD; FAT2805DKS; FAT2805DKTD; FAT2825DKS; FAT2825DKTD; FMD2805DKTD; FMD2825DKTD; FT2805DKS; FT2805DKTD; FTS2803DKS; FTS2803DKTD; FTT2805DKS; FTT2805DKTD; FTT2815DKS; FTT2825DKS) (4x2 & 6x2 & 6x4 & 8x4/4) 06.86-09.91	AV/F	419x152	19150/19151	<b>1915002</b>	<b>RIVL09</b>			
		DAF						
	AR/R	419x203	19617/19618	<b>1961705</b>	<b>RIVL10</b>			
F 2800 (FA2800DKV; FA2800DKXE; FA2805DKSE; FAC2803DKSE; FAC2803DKTD; FAD2825DKTD; FAD2825DKV; FAG2800DKV; FAR2804DKXE; FAS2803DKSE; FAS2803DKV; FAS2803DKXE; FMD2825DKV; FT2800DKSE; FT2800DKV; FT2800DKXE) (4x2 & 6x2/2/4 & 8x2/4 & 8x4/4) 01.74-09.91	AV/F	419x152	19150/19151	<b>1915002</b>	<b>RIVL09</b>			
		DAF						
	AR/R	419x178	19256/19260	<b>1925602</b>	<b>RIVL09</b>			
F 2900 (FA2900KV; FAD2900KV; FAG2900KV; FAR2900KV; FAS2900KV; FMD2900KV; FT2900KV) (4x2 & 6x2/2/4 & 8x2/4 & 8x4/4) 01.90-10.93	AV/F	419x152	19024/19031	<b>1902401</b>	<b>RIV6.517</b>			
		DAF						
	AR/R	420x200	19063/19064	<b>1906300764</b> <b>1906303</b>	<b>RIV6.517</b>	<b>MAC9063/64</b>	<b>1906380</b>	<b>TF1910</b> <b>TF1910KMG</b>
F 3200 (FA3200KS; FAB3200KS; FAD3200KS; FAR3200KS; FAS3200KS; FAT3200KV; FMD3200KS; FT3200KS) (4x2 & 6x2/2/4 & 6x4 & 8x4/4) 01.90-10.93	AV/F	420x150	19900/19901	<b>1990002</b>	<b>RIVL10</b>			
		DAF						
	AR/R	420x200	19890/19891	<b>1989002</b>	<b>RIVL10</b>			
F 3300 (FA3300DKX; FA3305DKX; FAB3305DKX; FAC3303DKX; FAD3325DKX; FAG3300DKX; FAR3300DKX; FAS3303DKX; FAT3325DKX; FT3305DKX; FTG3300DKX; FTS3300DKX; FTT3325DKX) (4x2 & 6x2/2/4 & 6x4 & 8x2/4 & 8x4/4) 06.81-09.86	AV/F	419x152	19150/19151	<b>1915002</b>	<b>RIVL09</b>			
		DAF						
	AR/R2	419x152	19150/19151	<b>1915002</b>	<b>RIVL09</b>			
		DAF						
	AR/R	419x178	19256/19260	<b>1925602</b>	<b>RIVL09</b>			

# APPLICATION PAR VEHICULES APPLICATION BY VEHICLES



## DAF ../.

F 3300 (FA3300DKX; FA3305DKX; FAC3303DKX; FAD3325DKX; FAG3300DKX; FAR3304DKX; FAS3303DKX; FAT3325DKX; FT3305DKX; FTG3300DKX; FTS3303DKX; FTT3325DKX) (4x2 & 6x2/2/4 & 6x4 & 8x2/4 & 8x4/4) 06.85-09.91	AV/F	419x152	DAF	19150/19151	<b>1915002</b>	<b>RIVL09</b>		
	AR/R2	419x152	DAF	19150/19151	<b>1915002</b>	<b>RIVL09</b>		
	AR/R	419x203	DAF	19617/19618	<b>1961705</b>	<b>RIVL10</b>		
F 3600 (FA3605DKZ; FA3605DKZE; FAG3600DKZ; FAR3604DKZ; FAR3604DKZE; FAS3603DKZ; FAS3603DKZE; FT3605DKZ; FT3605DKZE; FTG3600DKZ; FTS3603DKZ; FTT3625DKZ) (4x2 & 6x2 & 6x2/2/4 & 6x4) 06.85-09.91	AV/F	419x152	DAF	19150/19151	<b>1915002</b>	<b>RIVL09</b>		
	AR/R2	419x152	DAF	19150/19151	<b>1915002</b>	<b>RIVL09</b>		
	AR/R	419x203	DAF	19617/19618	<b>1961705</b>	<b>RIVL10</b>		
	AV/F	419x152	DAF	19150/19151	<b>1915002</b>	<b>RIVL09</b>		
F 3600 (FAC3603DKZ) (8x2/4) 06.85-09.91	AV/F2	419x152	DAF	19150/19151	<b>1915002</b>	<b>RIVL09</b>		
	AR/R2	419x178	DAF	19256/19260	<b>1925602</b>	<b>RIVL09</b>		
	AR/R	420x200	DAF	19890/19891	<b>1989002</b>	<b>RIVL10</b>		
	AV/F	419x152	DAF	19150/19151	<b>1915002</b>	<b>RIVL09</b>		
N 2800 (NAT2826DKS) (6x4) 1.81-09.91	AR/R	419x178	DAF	19256/19260	<b>1925602</b>	<b>RIVL09</b>		
	AV/F	419x152	DAF	19150/19151	<b>1915002</b>	<b>RIVL09</b>		
N 3300 (NAT3326DKX) (6x4) 1.81-09.91	AR/R	419x178	DAF	19256/19260	<b>1925602</b>	<b>RIVL09</b>		
XF 95 (FA95.380; FA95.430; FA95.480; FA95.530; FAD95.380; FAD95.430; FAD95.480; FAD95.530; FAK95.380; FAK95.430; FAK95.480; FAK95.530; FAN95.380; FAN95.430; FAN95.480; FAN95.530; FAR95.380; FAR95.430; FAR95.480; FAR95.530; FAS95.380; FAS95.430; FAS95.480; FAS95.530; FAT95.380; FAT95.430; FAT95.480; FAT95.530; FT95.380; FT95.430; FT95.480; FT95.530; FTG95.380; FTG95.430; FTG95.480; FTG95.530; FTM95.380; FTM95.430; FTM95.480; FTM95.530; FTP95.380; FTP95.430; FTP95.480; FTP95.530; FTR95.380; FTR95.430; FTT95.380; FTT95.430; FTT95.480; FTT95.530; FTS95.480; FTS95.530; FTT95.380; FTT95.430; FTT95.480; FTT95.530) (4x2 & 6x2 & 6x2/4 & 6x4 & 8x2/4 & 8x4/4) 01.02-	AV/F	410x200	MERITOR (OPTION)	19071	<b>1907100764</b> <b>1907102</b>	<b>RIVL11</b>	<b>MAC9071/2</b>	<b>1907180</b>
	AR/R2	300x100	GIGANT CO 16,7mm (OPTION)	17347	<b>17347001541</b>	<b>RIV815</b>		
	AR/R	410x200	MERITOR (OPTION)	19071	<b>1907100764</b> <b>1907102</b>	<b>RIVL11</b>	<b>MAC9071/2</b>	<b>1907180</b>

# APPLICATION PAR VEHICULES APPLICATION BY VEHICLES



## ERF

E . SERIE	AV/F	410x175 MERITOR	19090	<b>1909000764</b>	<b>RIVL11</b>	<b>MAC9090/2</b>	<b>1909080</b>
				<b>1909002</b>			
	AR/R	410x200 MERITOR	19071	<b>1907100764</b>	<b>RIVL11</b>	<b>MAC9071/2</b>	<b>1907180</b>
				<b>1907102</b>			

## GIGANT GROUP

GH4 05506.3010	300x100 CO 16,7mm	17347	<b>17347001541</b>	<b>RIV815</b>	
GKHI 10510.3020 (SAE)	300x200 CO 17mm	19574	<b>1957431</b>	<b>RIV815</b>	<b>1957471</b>
305x80 (SAE)	305x080 SAE	15799	<b>1579900928</b>	<b>RIV615T11</b>	
305x125 (SAE)	305x125 SAE	17897/17898	<b>17897001541</b>	<b>RIV818</b>	
305x150 (SAE)	305x150 SAE	19760/19761	<b>1976000412</b>	<b>RIV818</b>	
305x200 (SAE)	305x200 SAE	19762/19763	<b>1976200764</b>	<b>RIV818</b>	<b>1976270</b>
311x203 (SMB)	311x203 SMB	19862/19863	<b>1986201</b>	<b>RIV515TF</b>	
355x150 (SAE)	355x150 CO +0 mm	19912/19913	<b>1991201</b>	<b>RIV818</b>	
355x200 (SAE)	355x200	19892/19893	<b>1989208</b>	<b>RIV818</b>	
360x200 (SAE)	360x200 SAE	19902/19903	<b>1990200764</b>	<b>RIV815</b>	
360x200 (SMB)	360x200 SMB	19718/19719	<b>1971802</b>	<b>RIV515TF</b>	
405x125 (SAE)	405x125 SAE	17761	<b>1776100934</b>	<b>RIV615T11</b>	
419x178 (SMB)	419x178 CO +0 mm	19613/19614	<b>1961313</b>	<b>RIV515TF</b>	<b>1961370</b>
419x203(SMB)	419x203 CO +0 mm	19557/19606	<b>1955713</b>	<b>RIV515TF</b>	<b>1955770</b>
420x160 (SAE)	420x160 CO +0 mm	19200	<b>1920005</b>	<b>RIV815</b>	
420x200 (SAE)	420x200 CO +0 mm	19094	<b>1909437</b>	<b>RIV815</b>	<b>1909470</b>

## HENDRICKSON

311x127	311x127 CO +0 mm	17942/17943	<b>17942003658</b>	<b>RIVL10</b>	
335x150	335x150 CO +0 mm	17362	<b>17362007222</b>	<b>RIVL09</b>	
335x210	335x210 CO +0 mm	19700	<b>19700003658</b>	<b>RIVL09</b>	
419x178	419x178 CO +0 mm	19036/19037	<b>1903712</b>	<b>RIVL09</b>	
419x219	419x219 CO +0 mm	19369/19370	<b>1936912</b>	<b>RIVL10</b>	

## IRISBUS

AGORA (4x2 & 6x2) 01.95-12.00	AR/R	414x220 RT	19187	<b>1918700764</b>	<b>RIV818</b>	<b>MAC9187</b>	<b>1918780</b>	<b>TF6802</b>
				<b>1918702</b>				<b>TF6802KMG</b>



# APPLICATION PAR VEHICULES APPLICATION BY VEHICLES



IRISBUS./..									
ARES -12.01	AR/R	414x220	RT	19187	1918700764 1918702	RIV818	MAC9187	1918780	TF6802 TF6802KMG
AXER 01.02-	AR/R	410x200	MERITOR	19071	1907100764 1907102	RIVL11	MAC9071/2	1907180	
E . SERIE	AR/R	414x150	BENDIX	19049/19199	1904902	RIV615T11	MAC9049/199		
FR 1	AR/R	414x175		19935	1993500764 1993502	RIV818	MAC9935	1993580	
	AR/R	414x200	RT	19974	19974xx	RIV818	MAC9974		
	AR/R	414x220		19187	1918700764 1918702	RIV818	MAC9187	1918780	TF6802 TF6802KMG
HEULIEZ GX44 (CHASSIS MERCEDES)	AV/F	410x163		19579/19706	1970601	RIV818			
	AR/R	410x222	MERCEDES	19579/19706	1970701	RIV818			TF1042 (TOP VENTE)
HEULIEZ GX44 (CHASSIS RENAULT TRUCKS)	AV/F	414x150		19049/19199	1904902	RIV615T11	MAC9049/199		
	AR/R	414x175	BENDIX	19463	1946301	RIV818			
HEULIEZ GX57 (CHASSIS RENAULT TRUCKS)	AV/F	414x150		19049/19199	1904902	RIV615T11	MAC9049/199		
	AR/R	414x175	BENDIX	19463	1946301	RIV818			
HEULIEZ GX57 (CHASSIS VOLVO)	AV/F	413x152	VOLVO	19560/19561	1956002	RIVL10			
	AV/F	394x203	VOLVO	19562/19563	1956202	RIVL11			
	AR/R	394x254	(OPTION)	19799/19800	1979901	RIVL11			
HEULIEZ GX77 (CHASSIS DAF)	AR/R	394x203	VOLVO	19562/19563	1956202	RIVL11			
	AV/F	419x152		19150/19151	1915002	RIVL09			
	AR/R	419x178	DAF	19256/19260	1925602	RIVL09			
HEULIEZ GX77 (CHASSIS VOLVO)	AV/F	413x152	VOLVO	19560/19561	1956002	RIVL10			
	AR/R	381x178	MERITOR	19384/19385	1938400764 1938414	RIV10.10			
HEULIEZ GX87 (CHASSIS RENAULT TRUCKS)	AV/F	414x150		19049/19199	1904902	RIV615T11	MAC9049/199		
	AR/R	414x175	BENDIX	19463	1946301	RIV818			
HEULIEZ GX87 (CHASSIS VOLVO)	AV/F	394x203		19562/19563	1956202	RIVL11			
	AR/R2	413x127	VOLVO	17664/17665	1766402	RIVL10			
	AR/R	394x254		19799/19800	1979901	RIVL11			
HEULIEZ GX107 (CHASSIS RENAULT TRUCKS)	AV/F	414x150		19049/19199	1904902	RIV615T11	MAC9049/199		
	AR/R	414x175	BENDIX	19463	1946301	RIV818			

# APPLICATION PAR VEHICULES APPLICATION BY VEHICLES



<b>IRISBUS ..I..</b>								
HEULIEZ GX117 (CHASSIS RENAULT TRUCKS)	AR/R	414x175	RT	19935	<b>1993500764</b> <b>1993502</b>	<b>RIV818</b>	<b>MAC9935</b>	<b>1993580</b>
HEULIEZ GX187 (CHASSIS RENAULT TRUCKS)	AV/F	414x150		19049/19199	<b>1904902</b>	<b>RIV615T11</b>	<b>MAC9049/199</b>	
	AR/R2	414x175	BENDIX	19463	<b>1946301</b>	<b>RIV818</b>		
	AR/R	414x175		19463	<b>1946301</b>	<b>RIV818</b>		
HEULIEZ GX217 (CHASSIS VOLVO)	AR/R	410x225	MERITOR	19068	<b>1906802</b>	<b>RIVL10</b>	<b>MAC9068/2</b>	<b>1906880</b>
HEULIEZ GX317 (CHASSIS RENAULT TRUCKS)	AR/R	414x220	RT	19187	<b>1918700764</b> <b>1918702</b>	<b>RIV818</b>	<b>MAC9187</b>	<b>1918780</b> <b>TF6802</b> <b>TF6802KMG</b>
ILIADÉ (CHASSIS RENAULT TRUCKS)	AR/R	414x220	RT	19187	<b>1918700764</b> <b>1918702</b>	<b>RIV818</b>	<b>MAC9187</b>	<b>1918780</b> <b>TF6802</b> <b>TF6802KMG</b>
PR	AV/F	414x150	BENDIX	19049/19199	<b>1904902</b>	<b>RIV615T11</b>	<b>MAC9049/199</b>	
	AR/R	414x150		19049/19199	<b>1904902</b>	<b>RIV615T11</b>	<b>MAC9049/199</b>	
PR	AV/F	414x175	RT	19935	<b>1993500764</b> <b>1993502</b>	<b>RIV818</b>	<b>MAC9935</b>	<b>1993580</b>
	AR/R	414x200		19974	<b>19974xx</b>	<b>RIV818</b>	<b>MAC9974</b>	
RECREO 1	AV/F	420x150		19410	<b>1941001</b>	<b>RIV818</b>		
RECREO 2	AR/R	410x200	MERITOR	19071	<b>1907100764</b> <b>1907102</b>	<b>RIVL11</b>	<b>MAC9071/2</b>	<b>1907180</b>
S . SERIE	AV/F	414x150	BENDIX	19049/19199	<b>1904902</b>	<b>RIV615T11</b>	<b>MAC9049/199</b>	
	AR/R	414x150		19049/19199	<b>1904902</b>	<b>RIV615T11</b>	<b>MAC9049/199</b>	
TRACER (4x2) 01.91-	AV/F	414x175	RT	19935	<b>1993500764</b> <b>1993502</b>	<b>RIV818</b>	<b>MAC9935</b>	<b>1993580</b>
	AR/R	414x175		19935	<b>1993500764</b> <b>1993502</b>	<b>RIV818</b>	<b>MAC9935</b>	<b>1993580</b>
<b>IVECO</b>								
DAILY 35-10T; 35-12T; 40-10TW; 49-10T; 49-12T 01.79-12.96	AR/R	270x080	PERROT	15039/15742	<b>15039003653</b>	<b>RIV510</b>		
59 (59.12K) 05.91.05.99	AR/R	310x100	PERROT	17096/17099	<b>1709601</b>	<b>RIV612</b>		
90 (90.13P; 90PC) (4x4) 01.76-	AV/F	420x110		17819	<b>17819xx</b>			
100 (100EC; 100NC; 100F13) 01.73-	AV/F	420x090	EATON	15336	<b>15336xx</b>	<b>RIV815</b>		
	AR/R	420x125	IVECO	17481	<b>1748107</b>	<b>RIV815</b>		
100 (100OM13; 100PC) 01.73-	AV/F	420x090	EATON	15336	<b>15336xx</b>	<b>RIV815</b>		

# APPLICATION PAR VEHICULES APPLICATION BY VEHICLES



## IVECO ..../.

160 (160NG; 160NT; OM160; OM160T; OM160R/V) 01.74-	AV/F	420x125	IVECO	17482	<b>1748206</b>	<b>RIV818</b>
	AR/R	420x090		15494	<b>1549402</b>	<b>RIV818</b>
170 (170F20; 170F26; 170F26T; 170F35; 170F35T; 170NC26; 170NC33; 170NC35; 170NT26; 170NT33; 170NT33E; 170NT35; 170OM35; 170OM35T; 170OMNC20; 170OMNT26; 170ZF) 01.75-	AV/F	420x140	IVECO	17869/17870	<b>17869xx</b>	<b>RIV818</b>
	AR/R	420x180		19694	<b>1969400928</b>	<b>RIV818</b>
170 (OM170.26T26; OM170.33T33E) 01.75-	AR/R	420x180	IVECO	19694	<b>1969400928</b>	<b>RIV818</b>
170 (OM170N; OM170NC; OM170NT) 01.75-	AR/R	420x180	IVECO	19694	<b>1969400928</b>	<b>RIV818</b>
180 (180NC; 180NT; 180NT/S) 01.74-12.77	AR/R	420x090	IVECO	15494	<b>1549402</b>	<b>RIV818</b>
190 (190F26; 190F26T; 190F35; 190F35T; 190NC26; 190NC33; 190NT26; 190NT33) 01.76-	AR/R	420x180	IVECO	19694	<b>1969400928</b>	<b>RIV818</b>
190 (190OM26T; 190OM35T; OM190.26; OM190.26T; OM190.33; OM190.33T) 01.75-	AR/R	420x180	IVECO	19694	<b>1969400928</b>	<b>RIV818</b>
300 (OM300P; OM300PT) 01.74-	AV/F	420x125	IVECO	17482	<b>1748206</b>	<b>RIV818</b>
	AR/R	420x090		15494	<b>1549402</b>	<b>RIV818</b>
370 (370.10.25; 370.12.25; 370.12.25D; 370.12.30 Turbo; 370.12.30HD Turbo; 370.12.35; 370.12.35HD; 370.12.36HD; 370.12.L.25; 370.10.24 Turbo) 01.83-	AV/F	410x200	PERROT	19786	<b>1978610</b>	<b>RIV1018</b>
	AR/R	410x220		19824/19838	<b>1982410</b>	<b>RIV1018</b>
370 (370.12.26) 01.75-12.77	AR/R	420x180	IVECO	19694	<b>1969400928</b>	<b>RIV818</b>
370 (370.12.26) 01.78-12.79	AV/F	410x200	PERROT	19754	<b>1975402</b>	<b>RIV1018</b>
	AR/R	410x200		19754	<b>1975402</b>	<b>RIV1018</b>
370 (370.25; 370.30; 370.35) 01.84-	AR/R	410x220	PERROT	19824/19838	<b>1982410</b>	<b>RIV1018</b>
380 (380.10.29; 380.10.35; 380.12.35; 380.12.38HD; Eurorider (Chassis) 01.92-	AR/R	410x220	PERROT	19824/19838	<b>1982410</b>	<b>RIV1018</b>
471 (471.10.20; 471.12.20) 01.84.12.88	AR/R	410x200	PERROT	19786	<b>1978610</b>	<b>RIV1018</b>
480 (480.21 Turbo) 490 (490.12 Turbo; 490.22 Turbo.U) 580 (580.21 Turbocity.S) 01.86-	AR/R	410x200	PERROT	19786	<b>1978610</b>	<b>RIV1018</b>

# APPLICATION PAR VEHICULES APPLICATION BY VEHICLES



## IVECO ..I..

EUROCARGO (120E15; 120E15K; 120E18; 120E18H; 120E18K; 120E18P; 120E21H; 120E23; 120E23FP; 120E23H; 120E23P; 130E15; 130E15K; 130E18; 130E18K; 130E23; 130E23; 135E18W; 135E18WR; 135E21W; 135E23W; 135E23WR; 150E15; 150E15K; 150E18; 150E18K; 150E18P; 150E23; 150E23FP; 150E23P; 150E24 Tector; 150E28 Tector; 150E27; 150E27FP; 150E27P; 150E27R; 260E23; 280E23; 280E23P; 280E23T; 320E27; 320E27P; 320E27T; 320E28 Tector; 320E28T Tector) (4x2 & 4x4 & 6x2) 01.91-	AR/R	360x170	PERROT	19503	<b>1950300764</b> <b>1950308</b>	<b>RIV816</b>	<b>W0548IV</b>	<b>MAC9503</b>	<b>1950380</b>
EUROCARGO (170E15; 170E18; 170E18K; 170E23; 170E23K; 170E27; 180E18; 180E18K; 180E23; 180E23K; 180E27; 260E23KE) (4x2 & 6x4) 01.91-	AV/F	381x178	MERITOR DUPLEX	19384/19385	<b>1938400764</b> <b>1938414</b>	<b>RIV10.10</b>	<b>W0955IV</b>	<b>MAC9384D</b>	<b>1938480D</b>
EUROCARGO (260E27KE; 260E28K Tector; 260E28KE Tector) (6x4) 09.00-	AR/R	381x178	MERITOR DUPLEX	19384/19385	<b>1938400764</b> <b>1938414</b>	<b>RIV10.10</b>	<b>W0955IV</b>	<b>MAC9384D</b>	<b>1938480D</b>
EUROSTAR (LD190E38P; LD190E39FP; LD190E39P; LD190E40; LD190E42; LD190E42P; LD190E43; LD190E43FP; LD190E43P; LD190E47; LD190E52; LD240E38; LD240E42FS; LD240E42PS; LD240E47PS; LD240E52PS; LD260E38P; LD260E39FP; LD260E39P; LD260E40; LD260E42P; LD260E43FP; LD260E43Y/PS; LD260E47; LD260E48Y/PS; LD260E52; LD400E38TX/P; LD400E42TX/P; LD440E38T; LD440E38TX/P; LD440E38TZ; LD440E39T/P; LD440E39T; LD440E39TX; LD440E39TX/P; LD440E40T; LD440E40TX/P; LD440E42T/P; LD440E42TX/P; LD440E42TZ; LD440E43T/P; LD440E43TX/P; LD440E47T/P; LD440E47TZ; LD440E48T/P; LD440E52T; LD440E52TZ) (4x2 & 6x2/4 & 6x2/2/4 & 6x4) 01.93-02.02	AR/R	410x182	PERROT SIMPLEX	19099/19100	<b>1909902</b>	<b>RIV816</b>	<b>W1284IV</b>	<b>MAC9099</b>	<b>1909980</b>



# APPLICATION PAR VEHICULES APPLICATION BY VEHICLES



**IVECO ..I..**

EUROTECH MH (190E24; 190E24/P; 190E24K; 190E27; 190E27/P; 190E27K; 190E30; 190E30/P; 190E31; 190E31/P; 190E31K; 190E35; 190E35/P; 190E35/FP; 260E24Y/P; 260E24Y/PS; 260E24Y/PT; 260E27RY/PS; 260E27Y/P; 260E27Y/PS; 260E27RY/PT; 260E30Y/PS; 260E31Y/P; 260E31Y/PS; 260E31Y/PT; 260E35Y/P; 260E35Y/PT; 260E35Y/TN; 400E31TP; 400E35TP; 440E31T; 440E31TP; 440E35T; 440E35T/FP; 440E35T/P; 440E35TX/P) (4x2 & 6x2 & 6x2/2/4) 09.98-	AR/R	410x202	PERROT SIMPLEX	19091/19098	<b>1909100764</b> <b>1909102</b>	<b>RIV816</b>	<b>W1284IV</b>	<b>MAC9091/98</b>	<b>1909180</b>
EUROTECH MP (180E34; 180E38; 180E42; 190E34; 190E38; 190E39; 190E39/P; 190E40/P; 190E42; 190E42/P; 190E43; 190E43/P; 190E39/FP) (4x2) 01.92-	AR/R	410x200	MERITOR SIMPLEX	19716/717/553	<b>1971600764</b> <b>1971612</b>	<b>RIV815</b>	<b>W1310IV</b>	<b>MAC9716/4</b>	<b>1971680</b>
EUROTECH MP (180E34; 180E38; 180E42; 190E34; 190E38; 190E39; 190E39/P; 190E40/P; 190E42; 190E42/P; 190E43; 190E43/P; 190E39/FP) (4x2) 01.92-	AR/R	410x202	PERROT SIMPLEX	19091/19098	<b>1909100764</b> <b>1909102</b>	<b>RIV816</b>	<b>W1284IV</b>	<b>MAC9091/98</b>	<b>1909180</b>
EUROTECH MP (240E30PS; 240E34; 240E38; 240E42; 260E38P; 260E39Y/FP; 260E39Y/FS; 260E39Y/P; 260E39Y; 260E40; 260E42; 260E43Y/P; 260E43Y; 400E38TXP; 440E39TX/P; 440E40TX/P; 440E43TX/P) (6x2/4 & 6x2/2/4 & 6x4) 01.92-	AR/R2	410x180	MERITOR SIMPLEX	19714/715/556	<b>1971400764</b>	<b>RIV815</b>	<b>W1310IV</b>	<b>MAC9714/4</b>	<b>1971480</b>
		410x182	PERROT SIMPLEX	19099/19100	<b>1909902</b>	<b>RIV816</b>	<b>W1284IV</b>	<b>MAC9099</b>	<b>1909980</b>
	AR/R	410x202	PERROT SIMPLEX	19091/19098	<b>1909100764</b> <b>1909102</b>	<b>RIV816</b>	<b>W1284IV</b>	<b>MAC9091/98</b>	<b>1909180</b>
	AR/R	410x200	MERITOR SIMPLEX	19716/717/553	<b>1971600764</b> <b>1971612</b>	<b>RIV815</b>	<b>W1310IV</b>	<b>MAC9716/4</b>	<b>1971680</b>
EUROTECH MP (440E38TZ; 440E39T; 440E39T/CT; 440E39T/FP; 440E39T/P; 440E40T/P; 440E42TZ; 440E43T; 440E43T/P) (4x2 & 6x4) 01.92-	AR/R	410x202	PERROT SIMPLEX	19091/19098	<b>1909100764</b> <b>1909102</b>	<b>RIV816</b>	<b>W1284IV</b>	<b>MAC9091/98</b>	<b>1909180</b>
	AR/R	410x200	MERITOR SIMPLEX	19716/717/553	<b>1971600764</b> <b>1971612</b>	<b>RIV815</b>	<b>W1310IV</b>	<b>MAC9716/4</b>	<b>1971680</b>
EUROTECH MT (180E24; 180E24K; 180E27; 180E27K; 180E30R; MT180E34R; 400E30T; 400E34T) (4x2) 01.92-	AR/R	381x178	MERITOR DUPLEX	19384/19385	<b>1938400764</b> <b>1938414</b>	<b>RIV10.10</b>	<b>W0955IV</b>	<b>MAC9384D</b>	<b>1938480D</b>

# APPLICATION PAR VEHICULES APPLICATION BY VEHICLES



IVECO ..I..

EUROTRAKKER (MP180E24WCursor; MP180E25W; MP190E24HCursor; MP190E30H; MP190E30W; MP190E31HCursor; MP190E31WCursor; MP190E34H; MP190E34W; MP190E35HCursor; MP190E35WCursor; MP190E37H; MP190E37W; MP190E38WCursor; MP190E42H; MP190E42W; MP190E44WCursor; MP190E47W; MP260E27HCursor; MP260E30H; MP260E30W; MP260E31HCursor; MP260E31HBCursor; MP260E34H; MP260E34W; MP260E35HCursor; MP260E35WCursor; MP260E37H; MP260E37W; MP260E38HCursor; MP260E38WCursor; MP260E42H; MP260E42W; MP260E44HCursor; MP260E44WCursor; MP260E47H; MP260E47W; MP340E34H; MP340E35HCursor; MP340E35HBCursor; MP340E37H; MP340E38HCursor; MP340E38HBCursor; MP340E42H; MP340E44HCursor; MP340E44HBCursor) (4x2 & 4x4 & 6x4 & 6x6 & 8x4/4) 01.93-09.04	AV/F	410x180		19109/19110	1910902	RIV816	W1310IV	MAC9109NV	1910980NV	
			MERITOR DUPLEX							
	AR/R	410x180		19109/19110	1910902	RIV816	W1310IV	MAC9109NV	1910980NV	
										TM
EUROTRAKKER (MP380E34H; MP380E34W; MP380E35HCursor; MP380E35WCursor; MP380E37H; MP380E37W; MP380E38HCursor; MP380E38HBCursor; MP380E38WCursor; MP380E42H; MP380E42W; MP380E44HCursor; MP380E44HBCursor; MP380E44WCursor; MP380E47H; MP380E47W; MP400E34HT; MP400E35HTCursor; MP400E37HT; MP400E37WT; MP400E42HT; MP400E42WT; MP410E35HCursor; MP410E37H; MP410E37W; MP410E38HCursor; MP410E38HBCursor; MP410E42H; MP410E42W; MP410E44HCursor; MP410E44HBCursor; MP410E47H; MP410E47W; MP440E34HT; MP440E37HT; MP440E38HTCursor; MP440E42HT; MP440E44HTCursor; MP440E47HT; MP720E37HT; MP720E37WT; MP720E38HTCursor; MP720E42HT; MP720E42WT; MP720E44HTCursor; MP720E47HT; MP720E48HTCursor) (4x2 & 4x4 & 6x4 & 6x6 & 8x4/4) 01.93-09.04	AV/F	410x180	MERITOR	19714/715/556	1971400764	RIV815	W1310IV	MAC9714/4	1971480	
	AV/F	410x200	SIMPLEX	19716/717/553	1971600764 1971612	RIV815	W1310IV	MAC9716/4	1971680	
	AV/F	410x200	MERITOR DUPLEX	19116/19119	1911600764 1911602	RIV815	W1310IV	MAC9116NV	1911680NV	TF1101 (TOP VENTE) TF1101KMG
	AV/F	410x202	PERROT SIMPLEX	19091/19098	1909100764 1909102	RIV816	W1284IV	MAC9091/98	1909180	
	AR/R	410x180		19714/715/556	1971400764	RIV815	W1310IV	MAC9714/4	1971480	
	AR/R	410x200	MERITOR SIMPLEX	19716/717/553	1971600764 1971612	RIV815	W1310IV	MAC9716/4	1971680	
	AR/R	410x200	MERITOR DUPLEX	19116/19119	1911600764 1911602	RIV815	W1310IV	MAC9116NV	1911680NV	TF1101 (TOP VENTE) TF1101KMG
	AR/R	410x202	PERROT SIMPLEX	19091/19098	1909100764 1909102	RIV816	W1284IV	MAC9091/98	1909180	
M (115.17; 115.17H; 135.17; 135.17H; 135.17T; 145.17) (4x2) 06.82-12.92	AV/F	360x170	IVECO	19225	1922507	RIV818				
	AR/R	360x170	IVECO	19225	1922507	RIV818				

# APPLICATION PAR VEHICULES APPLICATION BY VEHICLES



## IVECO ..../.

M (159.17; 165.24R; 165.24T; 175.17; 175.24; 175.24T) (4x2 & 6x2) 06.82-12.92	AV/F	381x178	MERITOR DUPLEX	19384/19385	<b>1938400764</b> <b>1938414</b>	<b>RIV10.10</b>	<b>W0955IV</b>	<b>MAC9384D</b>	<b>1938480D</b>
	AR/R	381x178		19384/19385	<b>1938400764</b> <b>1938414</b>	<b>RIV10.10</b>	<b>W0955IV</b>	<b>MAC9384D</b>	<b>1938480D</b>
OM series (40; 50; 55) 01.66-12.71	AV/F	325x080	PERROT	15732/15733	<b>1573204</b>	<b>RIV612</b>			
	AR/R	325x080	SYRMAC	15732/15733	<b>1573204</b>	<b>RIV612</b>			
OM series (60F8; 60F10; OM8, OM10; 75NC) 01.79-12.91	AV/F	325x100	PERROT	17408/17793	<b>1740805</b>	<b>RIV613</b>			
	AR/R	325x100	SYRMAC	17408/17793	<b>1740805</b>	<b>RIV613</b>			
OM series (79OM10; 79OM19) 01.79-	AV/F	325x120	PERROT	17088/17635	<b>1708802</b>	<b>RIV612</b>			
	AR/R	325x120	SYRMAC	17088/17635	<b>1708802</b>	<b>RIV612</b>			
OM series (80.17) (4x4) 01.70-	AR/R	400x100	IVECO	17372/17373	<b>17372003653</b>	<b>RIV815</b>			
OM series (80; 90) (4x2) 01.70-	AV/F	400x100	SYRMAC	17094	<b>1709401</b>	<b>RIV815</b>			
	AR/R	400x100	IVECO	17792/17794	<b>17792xx</b>	<b>RIV612</b>			
OM series (90M7.9) Magirus 01.80-	AV/F	325x120	PERROT	17088/17635	<b>1708802</b>	<b>RIV612</b>			
	AR/R	325x120	SYRMAC	17088/17635	<b>1708802</b>	<b>RIV612</b>			
OM series (160NC; 180NC - 697) 01.74-	AR/R	420x090	IVECO	15494	<b>1549402</b>	<b>RIV818</b>			
TRAKKER (410T44; 410T48; 740T44T; 740T48T; AD190T27; AD190T31; AD190T35W; AD190T36W; AD190T38; AD190T38W; AD190T44; AD190T44W; AD190T45; AD190T45W; AD19T45; AD260T31; AD260T31B; AD260T33B; AD260T35; AD260T35B; AD260T35W; AD260T36; AD260T36B; AD260T38B; AD260T38W; AD260T44W; AD260T48; AD340T35; AD340T35B; AD340T36; AD340T36B; AD340T38B; AD340T41; AD340T41B; AD340T44; AD340T44B; AD340T45; AD340T45/P; AD340T45B; AD380T35; AD380T36W; AD380T38; AD380T38B; AD380T38W; AD380T42W; AD380T44; AD380T44B; AD380T44W; AD380T45W; AD380T48; AD380T50; AD400T35T; AD400T38T; AD400T38WT; AD400T44T; AD400T44WT; AD410T35; AD410T38; AD410T38B; AD410T38H; AD410T41; AD410T44; AD410T44B; AD410T44W) (4x2 & 6x4 & 6x6 & 8x4/4 & 8x8/4) 10.04-	AV/F	410x200	MERITOR DUPLEX	19116/19119	<b>1911600764</b> <b>1911602</b>	<b>RIV815</b>	<b>W1310IV</b>	<b>MAC9116NV</b>	<b>1911680NV</b> <b>TF1101 (TOP VENTE) TF1101KMG</b>
	AR/R	410x200		19116/19119	<b>1911600764</b> <b>1911602</b>	<b>RIV815</b>	<b>W1310IV</b>	<b>MAC9116NV</b>	<b>1911680NV</b> <b>TF1101 (TOP VENTE) TF1101KMG</b>

# APPLICATION PAR VEHICULES APPLICATION BY VEHICLES



**IVECO ..I..**

TRAKKER (AD180T27W; AD190T31; AD190T31W; AD190T33W; AD190T35W; AD190T36W; AD190T38W; AD190T41W; AD190T44W; AD190T45W; AD260T36W; AD260T41W; AD260T45W; AD380T36W; AD380T41W; AD380T45W; AD400T41WT; AD400T45WT; AD410T45W; AD720T41WT; AD720T45WT; AT180T27W; AT190T31; AT190T31W; AT190T33W; AT190T35W; AT190T36W; AT190T38W; AT190T41W; AT190T44W; AT260T36W; AT260T41W; AT260T45W; AT380T36W; AT380T41W; AT380T45W; AT400T41WT; AT400T45WT; AT720T41WT; AT720T45WT) (4x2 & 4x4 & 6x6 & 8x8) 10.04-	AV/F	410x200	MERITOR DUPLEX	19116/19119	<b>1911600764</b> <b>1911602</b>	<b>RIV815</b>	<b>W1310IV</b>	<b>MAC9116NV</b>	<b>1911680NV</b>	<b>TF1101 (TOP VENTE)</b> <b>TF1101KMG</b>
	AR/R	410x200		19116/19119	<b>1911600764</b> <b>1911602</b>	<b>RIV815</b>	<b>W1310IV</b>	<b>MAC9116NV</b> TM	<b>1911680NV</b>	<b>TF1101 (TOP VENTE)</b> <b>TF1101KMG</b>

TRAKKER (AD190T31W; AD190T33; AD190T33W; AD190T35; AD190T36; AD190T36W; AD190T38; AD190T41; AD190T45; AD190T45W; AD260T31; AD260T33; AD260T35; AD260T36; AD260T38; AD260T38/P; AD260T41; AD260T44; AD260T44/P; AD260T45; AD260T50; AD340T36; AD340T41; AD340T45; AD340T50; AD380T33; AD380T36; AD380T41; AD380T41W; AD380T45; AD380T45W; AD380T50; AD400T36T; AD400T41T; AD400T45T; AD400T50T; AD410T36; AD410T41; AD410T45; AD410T50; AD440T38T; AD440T41T; AD440T44B; AD440T44T; AD440T45T; AD440T50T; AD720T38T; AD720T38WT; AD720T41T; AD720T44T; AD720T44WT; AD720T45T; AD720T48T) (4x2 & 4x4 & 6x4 & 6x6 & 8x4 & 8x4/4) 10.04-	AV/F	410x200	MERITOR DUPLEX	19116/19119	<b>1911600764</b> <b>1911602</b>	<b>RIV815</b>	<b>W1310IV</b>	<b>MAC9116NV</b>	<b>1911680NV</b>	<b>TF1101 (TOP VENTE)</b> <b>TF1101KMG</b>
	AR/R	410x200	MERITOR DUPLEX	19116/19119	<b>1911600764</b> <b>1911602</b>	<b>RIV815</b>	<b>W1310IV</b>	<b>MAC9116NV</b>	<b>1911680NV</b>	<b>TF1101 (TOP VENTE)</b> <b>TF1101KMG</b>

Automotive



# APPLICATION PAR VEHICULES APPLICATION BY VEHICLES



**IVECO ..I..**

TRAKKER (AD410T45; AD410T45W; AD410T48; AD410T48B; AD410T50; AT190T27; AT190T31; AT190T35; AT190T36W; AT190T38; AT190T38W; AT190T44; AT190T44W; AT190T45; AT190T45W; AT260T31; AT260T35; AT260T35W; AT260T36; AT260T38W; AT260T44W; AT260T48; AT340T35; AT340T35B; AT340T36; AT340T38; AT340T38W; AT340T41; AT340T44; AT340T44B; AT340T45; AT34T38B; AT34T45/P; AT380T36W; AT380T38; AT380T38W; AT380T44; AT380T44W; AT380T45W; AT380T50; AT400T35T; AT400T38T; AT400T38WT; AT400T42TH; AT400T44T; AT400T44WT; AT410T38B; AT410T41; AT410T44; AT410T44B; AT410T45; AT410T48; AT410T48B; AT410T50; AT410T54T; AT720T42T; AT720T42WT) (4x2 & 6x4 & 6x6 & 8x4/4 & 8x8/4) 10.04-

AV/F 410x200 19116/19119 **1911600764** **RIV815** **W1310IV** **MAC9116NV** **1911680NV** **TF1101 (TOP**  
**1911602** **VENTE)**  
**TF1101KMG**

MERITOR  
DUPLEX

TRAKKER (AD720T50T; AT190T31W; AT190T33; AT190T33W; AT190T35; AT190T36; AT190T36W; AT190T38; AT190T41; AT190T45; AT190T45W; AT260T31; AT260T33; AT260T35; AT260T36; AT260T38; AT260T41; AT260T44; AT260T45; AT260T50; AT340T36; AT340T41; AT340T45; AT340T50; AT380T33; AT380T36; AT380T41; AT380T41W; AT380T45; AT380T45W; AT380T50; AT400T36T; AT400T41T; AT400T45T; AT400T50T; AT410T36; AT410T41; AT410T45; AT410T50; AT440T38T; AT440T41T; AT440T44T; AT440T45T; AT440T50T; AT720T38T; AT720T38WT; AT720T41T; AT720T44T; AT720T44WT; AT720T45T; AT720T48T; AT720T50T; AT720T50TP) (4x2 & 4x4 & 6x4 & 6x6 & 8x4 & 8x4/4) 10.04-

AV/F 410x200 19116/19119 **1911600764** **RIV815** **W1310IV** **MAC9116NV** **1911680NV** **TF1101 (TOP**  
**1911602** **VENTE)**  
**TF1101KMG**

MERITOR  
DUPLEX

AR/R 410x200 19116/19119 **1911600764** **RIV815** **W1310IV** **MAC9116NV** **1911680NV** **TF1101 (TOP**  
**1911602** **VENTE)**  
**TF1101KMG**

Automotive

# APPLICATION PAR VEHICULES APPLICATION BY VEHICLES



## IVECO ..I..

STRALIS (450S33T; 450S38T; 450S42T;  
460S36T; 490S38T; 490S40T; 490S42T;  
490S46T; 490S48T; 530S36T; 570S38T;  
570S42T; 570S46T; 600S56T;  
800S46TZ; 800S56TZ; AD190S27;  
AD190S30; AD190S31; AD190S33;  
AD190S35; AD190S36; AD190S40;  
AD190S42; AD190S43; AD190S45;  
AD190S46; AD190S48; AD260S27;  
AD260S27CNG; AD260S30;  
AD260S30CNG; AD260S31; AD260S33;  
AD260S35; AD260S36; AD260S40;  
AD260S42; AD260S43; AD260S45;  
AD260S46; AD260S48; AD320S36;  
AD320S42; AD320S45; AD320S46;  
AD440S31; AD440S33; AD440S35;  
AD440S36; AD440S40; AD440S42;  
AD440S43; AD440S45; AD440S46;  
AD440S48; AS190S40; AS190S42;  
AS190S43; AS190S45; AS190S46;  
AS190S48) (4x2 & 6x2 & 6x4 & 6x2/4 &  
6x2/2/4 & 8x2/6) 02.02-

AR/R 410x200

MERITOR  
DUPLEX  
(OPTION)

19116/19119

**1911600764**  
**1911602**

**RIV815**

**W1310IV**

**MAC9116NV**

**1911680NV**

**TF1101 (TOP  
VENTE)  
TF1101KMG**

TM

**Automotive**

# APPLICATION PAR VEHICULES APPLICATION BY VEHICLES



IVECO ..I..

STRALIS (AS190S50; AS260S40; AS260S42;  
AS260S43; AS260S45; AS260S46; AS260S48;  
AS260S50; AS260S54; AS260S56; AS320S50;  
AS440S40; AS440S42; AS440S43; AS440S45;  
AS440S46; AS440S48; AS440S50; AS440S54;  
AS440S56; AT190S27; AT190S31; AT190S33;  
AT190S35; AT190S36; AT190S40; AT190S42;  
AT190S43; AT190S45; AT190S46; AT190S48;  
AT260S27; AT260S27CNG; AT260S30;  
AT260S31; AT260S33; AT260S35; AT260S36;  
AT260S40; AT260S42; AT260S43; AT260S45;  
AT260S46; AT260S48; AT320S42; AT320S45;  
AT320S46; AT440S31; AT440S33;  
AT440S33CNG; AT440S35; AT440S36;  
AT440S40; AT440S42; AT440S43; AT440S45;  
AT440S46; AT440S48; AT440S50; AT440S56;  
ES440S48; ES440S54) (4x2 & 6x2 & 6x4 &  
6x2/4 & 6x2/2/4 & 8x2/6) 02.02-

AR/R	410x200	MERITOR DUPLEX (OPTION)	19116/19119	<b>1911600764</b> <b>1911602</b>	<b>RIV815</b>	<b>W1310IV</b>	<b>MAC9116NV</b>	<b>1911680NV</b>	<b>TF1101 (TOP VENTE) TF1101KMG</b>
------	---------	-------------------------------	-------------	-------------------------------------	---------------	----------------	------------------	------------------	---

TURBOSTAR (190-33; 190-33P; 190-33T;  
190-36; 190-36P; 190-36T; 190-42; 190-42T;  
190-48; 190-48T) (4x2 & 6x2) 07.84-12.93

AV/F	381x178	MERITOR DUPLEX	19384/19385	<b>1938400764</b> <b>1938414</b>	<b>RIV10.10</b>	<b>W0955IV</b>	<b>MAC9384D</b>	<b>1938480D</b>
AR/R	381x178		19384/19385	<b>1938400764</b> <b>1938414</b>	<b>RIV10.10</b>	<b>W0955IV</b>	<b>MAC9384D</b>	<b>1938480D</b>

TURBOTECH (190-26; 190-26T; 190-32; 190-  
32T; 190-36; 190-36T; 220-36PT; 240-36P)  
(4x2 & 6x2) 01.90-12.92

AV/F	381x178	MERITOR DUPLEX	19384/19385	<b>1938400764</b> <b>1938414</b>	<b>RIV10.10</b>	<b>W0955IV</b>	<b>MAC9384D</b>	<b>1938480D</b>
AR/R	381x178		19384/19385	<b>1938400764</b> <b>1938414</b>	<b>RIV10.10</b>	<b>W0955IV</b>	<b>MAC9384D</b>	<b>1938480D</b>

Z series (50.8; 50.9; 50.10; 55.8; 55.9;  
55.10; 60.10; 65.10; 70.10; 75.10; 79.10)  
02.82-12.90

AV/F	325x100	PERROT	17924/17925	<b>1792408</b>	<b>RIV612</b>
AR/R	325x100		17924/17925	<b>1792408</b>	<b>RIV612</b>

Z series (65.12; 79.10; 79.12; 79.13;  
79.14) 01.83-12.90

AR/R	325x120	PERROT SYRMAC	17088/17635	<b>1708802</b>	<b>RIV612</b>
------	---------	------------------	-------------	----------------	---------------

# APPLICATION PAR VEHICULES APPLICATION BY VEHICLES



## IVECO ..I..

Z series (90.14; 95.14) (4x2) 01.83-12.88	AV/F	325x140		17879/17880	<b>1788000928</b>	<b>RIV612</b>
	AV/F	325x140	SYRMAC	17688	<b>1768801</b>	<b>RIV612</b>
	AR/R	325x140		17879/17880	<b>1788000928</b>	<b>RIV612</b>
	AR/R	325x140		17688	<b>1768801</b>	<b>RIV612</b>
Z series (100.13) 01.81-12.90	AV/F	394x127	AP	17804	<b>1780400412</b>	<b>RIV615T11</b>
	AR/R	394x152	LOCKHEED	19622	<b>1962200412</b>	<b>RIV615T11</b>
Z series (109.14) 01.83-12.88	AV/F	325x160	SYRMAC	19821/19822	<b>1982100929</b>	<b>RIV612</b>
	AR/R	325x160		19821/19822	<b>1982100929</b>	<b>RIV612</b>

## KASSBOHRER Trailer

Essieu / Axle 300x200	300x200	CO +0 mm		19568	<b>1956801</b>	<b>RIV815</b>
Essieu / Axle 300x200	300x200	CO +0 mm		19515/19516	<b>1951500764</b>	<b>RIV815</b>
Essieu / Axle 300x200	300x200	CO +0 mm		19103	<b>1910301</b>	<b>RIV815</b>
Essieu / Axle 400x080	400x080	CO +0 mm		15247	<b>1524701</b>	<b>RIV510</b>
Essieu / Axle 400x120	400x120	CO +0 mm		17001	<b>1700101</b>	<b>RIV818</b>
Essieu / Axle 400x150	400x150	CO +0 mm		19168/19169	<b>1916800AF710</b>	<b>RIV818</b>
Essieu / Axle 400x200	400x200	CO +0 mm		19166/19167	<b>1916602</b>	<b>RIV818</b>
Essieu / Axle 420x120	420x120	CO +0 mm		17377	<b>1737707</b>	<b>RIV815</b>
Essieu / Axle 420x180	420x180	CO +0 mm		19032	<b>1903230</b>	<b>RIV815</b>
Essieu / Axle 420x200	420x200	CO +0 mm		19094	<b>1909437</b>	<b>RIV815</b>

## LECINENA Trailer

311x190	311x190	ROR		19604/19605	<b>1960400764</b> <b>1960408</b>	<b>RIVL10</b>	<b>1960470</b>	<b>TF5650</b> <b>TF5650KMG</b> <b>(TOP VENTE)</b>
316x200	316x200			19858/19859	<b>1985800928</b>	<b>RIV615T11</b>	<b>1985870</b>	
410x200	410x200			19879/19881	<b>1987900501</b>		<b>1987970</b>	
420x200	420x200	BPW		19094	<b>1909437</b>	<b>RIV815</b>		

## KAROSA

420x120	AR/R	420x120		17184	<b>1718401</b>	<b>RIV818</b>
420x150	AR/R	420x150		19410	<b>1941001</b>	<b>RIV818</b>
420x180	AR/R	420x180		19972	<b>1997201</b>	<b>RIV818</b>



# APPLICATION PAR VEHICULES APPLICATION BY VEHICLES



## KAROSA ../.

AGORA (4x2)	AR/R	414x220 RT	19187	<b>1918700764</b> <b>1918702</b>	<b>RIV818</b>	<b>MAC9187</b>	<b>1918780</b>	<b>TF6802</b> <b>TF6802KMG</b>
-------------	------	------------	-------	-------------------------------------	---------------	----------------	----------------	-----------------------------------

## MAN

14 t. Series (14.192) 01.84-12.88	AV/F	410x123	17682	<b>1768202</b>	<b>RIV815</b>			
	AR/R	410x183	19495	<b>1949500764</b> <b>1949502</b>	<b>RIV818</b>	<b>W0205MA</b>	<b>MAC9495CAST</b>	<b>1949578*</b>
14 t. Series (14.220; 14.240) 01.78-12.90	AV/F	410x143	17238	<b>1723802</b>	<b>RIV815</b>	<b>W0205MA</b>		
	AR/R	410x183	19495	<b>1949500764</b> <b>1949502</b>	<b>RIV818</b>	<b>W0205MA</b>	<b>MAC9495CAST</b>	<b>1949578*</b>
	AR/R	410x223 <b>OPTION</b>	19496	<b>1949600764</b> <b>1949602</b>	<b>RIV818</b>	<b>W0205MA</b>	<b>MAC9496CAST</b>	<b>1949678*</b>
15 t. Series (15.220; 15.240) 01.82-12.89	AV/F	410x163	19713	<b>1971301</b>	<b>RIV818</b>	<b>W0205MA</b>		
	AR/R	410x183	19495	<b>1949500764</b> <b>1949502</b>	<b>RIV818</b>	<b>W0205MA</b>	<b>MAC9495CAST</b>	<b>1949578*</b>
	AR/R	410x223 <b>OPTION</b>	19496	<b>1949600764</b> <b>1949602</b>	<b>RIV818</b>	<b>W0205MA</b>	<b>MAC9496CAST</b>	<b>1949678*</b>
16 t. Series (16.240; 16.280; 16.291; 16.360) 01.79-12.89	AV/F	410x163	19713	<b>1971301</b>	<b>RIV818</b>	<b>W0205MA</b>		
	AR/R	410x183	19495	<b>1949500764</b> <b>1949502</b>	<b>RIV818</b>	<b>W0205MA</b>	<b>MAC9495CAST</b>	<b>1949578*</b>
	AR/R	410x223 <b>OPTION</b>	19496	<b>1949600764</b> <b>1949602</b>	<b>RIV818</b>	<b>W0205MA</b>	<b>MAC9496CAST</b>	<b>1949678*</b>
17 t. Series (17.136; 17.170; 17.192; 17.220; 17.232; 17.240) 01.79-12.89	AV/F	410x163	19713	<b>1971301</b>	<b>RIV818</b>	<b>W0205MA</b>		
	AR/R	410x183	19495	<b>1949500764</b> <b>1949502</b>	<b>RIV818</b>	<b>W0205MA</b>	<b>MAC9495CAST</b>	<b>1949578*</b>
	AR/R	410x223 <b>OPTION</b>	19496	<b>1949600764</b> <b>1949602</b>	<b>RIV818</b>	<b>W0205MA</b>	<b>MAC9496CAST</b>	<b>1949678*</b>
17 t. Series (17.152; 17.182; 17.222) 01.87-12.89	AV/F	410x163	19713	<b>1971301</b>	<b>RIV818</b>	<b>W0205MA</b>		
	AR/R	410x223	19496	<b>1949600764</b> <b>1949602</b>	<b>RIV818</b>	<b>W0205MA</b>	<b>MAC9496CAST</b>	<b>1949678*</b>
								<b>TF2048</b> <b>TF2048KMG</b>
19 t. Series (19.240; 19.281; 19.291; 19.321; 19.331; 19.361) 01.79-12.90	AV/F	410x163	19713	<b>1971301</b>	<b>RIV818</b>	<b>W0205MA</b>		
	AR/R	410x223	19496	<b>1949600764</b> <b>1949602</b>	<b>RIV818</b>	<b>W0205MA</b>	<b>MAC9496CAST</b>	<b>1949678*</b>
								<b>TF2048</b> <b>TF2048KMG</b>

\* Kit mâchoires garnies sans accessoires / Lined brake shoes kit without fitting kit

# APPLICATION PAR VEHICULES APPLICATION BY VEHICLES



## MAN ..../.

	AV/F 410x163		19713	<b>1971301</b>	<b>RIV818</b>	<b>W0205MA</b>		
20-24 t. Series (20.280; 22.331; 24.192; 24.240; 24.220; 24.291; 24.331; 24.361) 01.79-12.90	AR/R2 410x163	MAN	19713	<b>1971301</b>	<b>RIV818</b>	<b>W0205MA</b>		
	AR/R 410x183		19495	<b>1949500764</b> <b>1949502</b>	<b>RIV818</b>	<b>W0205MA</b>	<b>MAC9495CAST</b>	<b>1949578*</b> <b>TF2051</b> <b>TF2051KMG</b>
	AR/R 410x223	<b>OPTION</b>	19496	<b>1949600764</b> <b>1949602</b>	<b>RIV818</b>	<b>W0205MA</b>	<b>MAC9496CAST</b>	<b>1949678*</b> <b>TF2048</b> <b>TF2048KMG</b>
26 t. Series (26.240; 26.281; 26.291; 26.321; 26.331; 26.361) 01.79-12.88	AV/F 410x163	MAN	19713	<b>1971301</b>	<b>RIV818</b>	<b>W0205MA</b>		
	AR/R 410x163		19713	<b>1971301</b>	<b>RIV818</b>	<b>W0205MA</b>		
30-41 t. Series (30.291; 30.331; 32.240; 32.281; 32.291; 32.321; 32.331; 32.361; 33.291; 33.331; 40.365; 40.400; 40.440; 41.361) 01.79-12.88	AV/F 410x163	MAN	19713	<b>1971301</b>	<b>RIV818</b>	<b>W0205MA</b>		
	AR/R 410x183		19495	<b>1949500764</b> <b>1949502</b>	<b>RIV818</b>	<b>W0205MA</b>	<b>MAC9495CAST</b>	<b>1949578*</b> <b>TF2051</b> <b>TF2051KMG</b>
	AR/R 410x223	<b>OPTION</b>	19496	<b>1949600764</b> <b>1949602</b>	<b>RIV818</b>	<b>W0205MA</b>	<b>MAC9496CAST</b>	<b>1949678*</b> <b>TF2048</b> <b>TF2048KMG</b>
BUS (14.272U; 19.322U; 19.322UL; 19.372U; 19.372UL; 19.372U; 19.372UL; 19.422U; 19.422UL) 01.89-	AV/F 410x183	MAN	19495	<b>1949500764</b> <b>1949502</b>	<b>RIV818</b>	<b>W0205MA</b>	<b>MAC9495CAST</b>	<b>1949578*</b> <b>TF2051</b> <b>TF2051KMG</b>
	AR/R 410x223		19496	<b>1949600764</b> <b>1949602</b>	<b>RIV818</b>	<b>W0205MA</b>	<b>MAC9496CAST</b>	<b>1949678*</b> <b>TF2048</b> <b>TF2048KMG</b>
BUS (24.332U; 24.332UL; 24.362U; 24.362UL; 26.322UNL) 01.86-	AV/F 410x183		19495	<b>1949500764</b> <b>1949502</b>	<b>RIV818</b>	<b>W0205MA</b>	<b>MAC9495CAST</b>	<b>1949578*</b> <b>TF2051</b> <b>TF2051KMG</b>
	AR/R2 410x143	MAN	17238	<b>1723802</b>	<b>RIV815</b>	<b>W0205MA</b>		
	AR/R 410x223		19496	<b>1949600764</b> <b>1949602</b>	<b>RIV818</b>	<b>W0205MA</b>	<b>MAC9496CAST</b>	<b>1949678*</b> <b>TF2048</b> <b>TF2048KMG</b>

Automotive

# APPLICATION PAR VEHICULES APPLICATION BY VEHICLES



## MAN ..../.

E 2000 (19.310FALK; 19.310FALK-L; 19.310FALS;  
19.310FLK; 19.310FLS; 19.360FALK; 19.360FALK-L;  
19.360FALS; 19.360FLK; 19.360FLS; 19.410FALK;  
19.410FALK-L; 19.410FALS; 19.410FLK; 19.410FLS;  
19.460FALK; 19.460FALK-L; 19.460FALS; 19.460FLK;  
19.460FLS; 26.310FAVLK; 26.360FAVLK; 26.410FAVLK;  
26.460FAVLK; 28.230FNLC; 28.310FNLC;  
28.360FANLC; 28.360FANLK; 28.360FNALC;  
28.360FNALK; 28.360FNLC; 28.410FANLC;  
28.410FANLK; 28.410FNALC; 28.410FNALK;  
28.410FNLC; 28.460FANLC; 28.460FANLK;  
28.460FNALC; 28.460FNALK; 28.460FNLC;  
28.460FVAS; 29.460FVAS) (4x2 & 4x4 & 8x2/4 & 8x2/6 &  
8x4 & 8x6/6 & 8x8 & 10x4/8 & 10x8/8) 05.00-

AV/F 410x183

19495

1949500764  
1949502

RIV818

W0205MA MAC9495CAST 1949578\*

TF2051  
TF2051KMG

MAN

E 2000 (30.310FNLC; 30.360FANLC; 30.360FANLK;  
30.360FNLC; 30.410FANLC; 30.410FANLK;  
30.410FNLC; 30.460FANLC; 30.460FANLK;  
30.460FNLC; 32.310VFLC; 32.310VFNLC; 32.360VFLC;  
32.360VFNLC; 32.410VFARK; 32.410VFLC;  
32.410VFLRC; 32.410VFNLC; 32.410VFRG;  
32.460VFARK; 32.460VFLC; 32.460VFLRC;  
32.460VFNLC) (4x2 & 4x4 & 8x2/4 & 8x2/6 & 8x4 & 8x6/6  
& 8x8 & 10x4/8 & 10x8/8) 05.00-

AV/F 410x183

19495

1949500764  
1949502

RIV818

W0205MA MAC9495CAST 1949578\*

TF2051  
TF2051KMG

MAN

AR/R 410x223

19496

1949600764  
1949602

RIV818

W0205MA MAC9496CAST 1949678\*

TF2048  
TF2048KMG

E 2000 (33.360DFAK; 33.360DFALC; 33.360DFALK;  
33.360DFALS; 33.410DFAK; 33.410DFALC;  
33.410DFALK; 33.410DFALS; 33.460DFAK;  
33.460DFALC; 33.460DFALK; 33.460DFALS;  
33.600DFALS; 33.600DFAS; 35.360VFAK;  
35.410FVNLC; 35.410VFAK; 35.460FVNLC;  
35.460VFAK; 40.600DFAS; 41.360VFAK; 41.410VFAK;  
41.460DFVLS; 41.460DFVS; 41.460VFAK;  
41.600DFVLS; 41.600DFVS; 50.410VFAK; 50.410VFAV-  
G; 50.410VFAVK; 50.410VFAVK-HK; 50.410VFK;  
50.410VFAV-G; 50.410VFAVK; 50.410VFAVKHK;  
50.460VFAK; 50.460VFAV-G; 50.460VFAVK;  
50.460VFAVK-HK; 50.460VFK; 50.460VFVG;  
50.460VFVK; 50.460VFVK-HK; 50.600VFAS) (4x2 &  
4x4 & 8x2/4 & 8x2/6 & 8x4 & 8x6/6 & 8x8 &  
10x4/8 & 10x8/8) 05.00-

AV/F 410x183

19495

1949500764  
1949502

RIV818

W0205MA MAC9495CAST 1949578\*

TF2051  
TF2051KMG

MAN

AR/R 410x223

19496

1949600764  
1949602

RIV818

W0205MA MAC9496CAST 1949678\*

TF2048  
TF2048KMG

Automotive

# APPLICATION PAR VEHICULES APPLICATION BY VEHICLES



**MAN ..J..**

F2000 (18.273F; 18.273FFLL; 18.273FL;  
19.233FCCNG; 19.273F; 19.273FL; 19.273FLL;  
19.273FLS; 19.273FS; 19.293FC; 19.293FLC;  
19.293FLLC; 19.293FLLS; 19.293FLS; 19.293FS;  
19.314FC; 19.314FLC; 19.314FLL; 19.314FLLC;  
19.314FLLR; 19.314FLLRC; 19.314FLLRS; 19.314FLLS;  
19.314FLLW; 19.314FLRC; 19.314FLRS; 19.314FLS;  
19.314F-N; 19.314FRC; 19.314FRS; 19.314FS;  
19.323FC; 19.323FLC; 19.323FLLC; 19.323FLLS;  
19.323FLS; 19.323FS; 19.343FC; 19.343FLC;  
19.343FLLC; 19.343FLLS; 19.343FLS; 19.343FS;  
19.364FC; 19.364FLC; 19.364FLL; 19.364FLLC;  
19.364FLLR; 19.364FLLRC; 19.364FLLRS; 19.364FLLS;  
19.364FLLW; 19.364FLRC; 19.364FLRS; 19.364FLS;  
19.364F-N; 19.364FRC; 19.364FRS; 19.364FS;  
19.373FC; 19.373FLC; 19.373FLLC; 19.373FLLRS;  
19.373FLLS; 19.373FLRC; 19.373FLRS; 19.373FLS;  
19.373F-NL; 19.373FRC; 19.373FRS; 19.373FS;  
19.403FC; 19.403FLC; 19.403FLLC; 19.403FLLRS;  
19.403FLLS; 19.403FLRC; 19.403FLRS; 19.403FLS;  
19.403F-NL; 19.403FRC; 19.403FRS; 19.403FS;  
19.414FC; 19.414FLL; 19.414FLC; 19.414FLLC;  
19.423FC; 19.423FLC; 19.423FLLC; 19.423FLLS;  
19.423FLS; 19.423F-NL; 19.423FS) (4x2) 12.96-

AR/R 410x223 MAN

19496

1949600764  
1949602

RIV818

W0205MA MAC9496CAST 1949678\*

TM  
TF2048  
TF2048KMG

F2000 (19.233FK; 19.233FK-L; 19.233CNG;  
19.273FA; 19.273FAK; 19.273FK; 19.293FAC;  
19.293FAK; 19.293FAS; 19.293FK; 19.314FAC;  
19.314FAK; 19.314FA-KI; 19.314FAK-L; 19.293FLK;  
19.314FAS; 19.314FK; 19.314FK-L; 19.314F-KI;  
19.314FL-KI; 19.314F-NL; 19.314FLK; 19.323FLK;  
19.343FLK; 19.323FAC; 19.323FAK; 19.323FAS;  
19.323FK; 19.343FAC; 19.343FAK; 19.343FAS;  
19.343FK; 19.364FAC; 19.364FAK; 19.364FA-KI;  
19.364FAK-L; 19.364FAS; 19.364FK; 19.364FK-L;  
19.364F-KI; 19.364FL-KI; 19.364F-NL; 19.364FLK;  
19.373FAC; 19.373FAK; 19.373FA-KI; 19.373FAK-L;  
19.373FAS; 19.373FK; 19.373FK-L; 19.373F-KI;  
19.373FL-KI; 19.373F-NL; 19.373FLK) (4x2 & 4x4)  
01.94-

AV/F 410x183

19495

1949500764  
1949502

RIV818

W0205MA MAC9495CAST 1949578\*

TF2051  
TF2051KMG

MAN

Automotive

AR/R 410x223

19496

1949600764  
1949602

RIV818

W0205MA MAC9496CAST 1949678\*

TF2048  
TF2048KMG



# APPLICATION PAR VEHICULES APPLICATION BY VEHICLES



MAN ..J..

F2000 (19.403FAC; 19.403FAK; 19.403FA-KI;  
19.403FAS; 19.403FK; 19.403F-KI; 19.403FK-L;  
19.403FLK; 19.403FLKI; 19.403F-NL; 19.414FAC;  
19.414FAK; 19.414FA-KI; 19.414FAK-L;  
19.414FAS; 19.414FK; 19.414F-KI; 19.414FK-L;  
19.414FLK; 19.414FLKI; 19.414F-NL; 19.423FA-  
KI; 19.423FAC; 19.423FAK; 19.423FAS;  
19.423FK; 19.423F-KI; 19.423FK-L; 19.423FLK;  
19.423FLKI; 19.423F-NL; 19.463FAC; 19.463FAK;  
19.463FA-KI; 19.463FAK-L; 19.463FAS;  
19.463FK; 19.463F-KI; 19.463FK-L; 19.463FLK;  
19.463FLKI; 19.463F-NL; 19.464FAC; 19.464FAK;  
19.464FA-KI; 19.464FAK-L; 19.464FAS;  
19.464FK; 19.464F-KI; 19.464FK-L; 19.464FLK;  
19.464FLKI; 19.464F-NL) (4x2 & 4x4) 01.94-

AV/F 410x183 MAN

19495

1949500764  
1949502

RIV818

W0205MA MAC9495CAST 1949578\*

TF2051  
TF2051KMG

F2000 (19.414FLLR; 19.414FLLRC;  
19.414FLLRS; 19.414FLLS; 19.414FLRC;  
19.414FLRS; 19.414FLS; 19.414F-NL;  
19.414FRC; 19.414FRS; 19.414FS; 19.463FC;  
19.463FLC; 19.463FLLC; 19.463FLLRS;  
19.463FLLS; 19.463FLRC; 19.463FLRS;  
19.463FLS; 19.463F-NL; 19.463FRC; 19.463FRS;  
19.463FS; 19.464FC; 19.464FLC; 19.464FLL;  
19.464FLLC; 19.464FLLR; 19.464FLLRC;  
19.464FLLRS; 19.464FLLS; 19.464FLLW;  
19.464FLRS; 19.464FLS; 19.464FNL; 19.464FRC;  
19.464FRS; 19.464FS; 19.603FLS; 19.604FLS)  
(4x2) 12.96-

AR/R 410x223 MAN

19496

1949600764  
1949602

RIV818

W0205MA MAC9496CAST 1949678\*

TF2048  
TF2048KMG

TM

Automotive

# APPLICATION PAR VEHICULES APPLICATION BY VEHICLES



## MAN ..../.

F2000 (23.293FNLLC; 23.314FNLLC;  
23.343FNLLC; 23.364FNLLC; 23.403FNLLC;  
23.414FNLLC; 23.463FNLLC; 23.464FNLLC;  
26.233FVLCCNG; 26.233FVL-KO; 26.293FNLC;  
26.293FNLLC; 26.293FNLS; 26.293FVLC;  
26.293FVLS; 26.314DFC; 26.314DFLC;  
26.314DFLS; 26.314DFS; 26.314FNLC;  
26.314FNLLC; 26.314FNLLRC; 26.314FNLLW;  
26.314FNLRC; 26.314FNLS; 26.314FVLC;  
26.314FVL-KO; 26.314FVLS; 26.314FVLS;  
26.343FNLC; 26.343FNLLC; 26.343FNLS;  
26.343FVLC; 26.343FVLS; 26.364DFC;  
26.364DFLC; 26.364DFLS; 26.364DFS;  
26.364FNLC; 26.364FNLLC; 26.364FNLLRC;  
26.364FNLLW; 26.364FNLRC; 26.364FNLS;  
26.364FVLC; 26.364FVL-KO; 26.364FVLS;  
26.364FVLS) (6x2 & 6x2 & 6x2/4 & 6x2/2/4  
& 6x4) 01.94-

AR/R2 410x143

17238

1723802

RIV815

W0205MA

AR/R 410x223

19496

1949600764  
1949602

RIV818

W0205MA MAC9496CAST 1949678\*

TF2048  
TF2048KMG

F2000 (26.403FNLC; 26.403FNLLC; 26.403FNLS;  
26.403FVLC; 26.403FVLS; 26.414DFC; 26.414DFLC;  
26.414DFLS; 26.414DFS; 26.414FFNLLC; 26.414FNLC;  
26.414FNLLRC; 26.414FNLLW; 26.414FNLRC; 26.414FNLS;  
26.414FVLC; 26.414FVL-KO; 26.414FVLS; 26.414FVLS;  
26.463FFNLLW; 26.463FNLC; 26.463FNLLC; 26.463FNLLRC;  
26.463FNLRC; 26.463FNLS; 26.463FVLC; 26.463FVLS;  
26.463FVLS; 26.464DFC; 26.464DFLC; 26.464FNLC;  
26.464FNLLC; 26.464FNLLRC; 26.464FNLLW; 26.464FNLRC;  
26.464FNLS; 26.464FVLC; 26.464FVL-KO; 26.464FVLS;  
26.464FVLS; 26.604DFLS; 27.314DFC; 27.314DFS; 27.364DFC;  
27.364DFS; 27.414DFC; 27.414DFS; 33.364DFC; 33.364DFK;  
33.364DF-KI; 33.364DFRS; 33.364DFS; 33.414DFC;  
33.414DFK; 33.414DF-KI; 33.414DFRS; 33.414DFS;  
33.464DFC; 33.464DFK; 33.464DF-KI; 33.464DFRS;  
33.464DFS) (6x2 & 6x2 & 6x2/4 & 6x2/2/4 &  
6x4) 01.94-

AR/R2 410x143

17238

1723802

RIV815

W0205MA

AR/R 410x223

19496

1949600764  
1949602

RIV818

W0205MA MAC9496CAST 1949678\*

TF2048  
TF2048KMG

# APPLICATION PAR VEHICULES APPLICATION BY VEHICLES



## MAN ..J..

F2000 (24.273FNLLC; 24.293FNLLC; 24.314FNLLRC;  
24.323FNLLC; 24.343FNLLC; 24.364FNLLRC; 24.373FNLLC;  
24.403FNLLC; 24.414FNLLRC; 24.423FNLLC; 24.463FNLLC;  
24.464FNLLRC; 35.314VF-TM; 35.343VFC; 35.343VFK;  
35.364VF; 35.364VFC; 35.364VF-HK; 35.364VFK; 35.364VF-KI;  
35.364VFC; 35.364VF-TM; 35.373VF; 35.373VFC; 35.373VF-  
HK; 35.373VFK; 35.373VF-KI; 35.373VFC; 35.403VF;  
35.403VFC; 35.403VF-HK; 35.403VFK; 35.403VF-KI;  
35.403VFC; 35.414VF; 35.414VFC; 35.414VF-HK; 35.414VFK;  
35.414VF-KI; 35.414VFC; 35.414VF-TM; 35.423VF;  
35.423VFC; 35.423VF-HK; 35.423VFK; 35.423VF-KI;  
35.423VFC; 35.463VF; 35.463VFC; 35.463VF-HK; 35.463VFK;  
35.463VF-KI; 35.463VFC; 35.464VF; 35.464VFC; 35.464VF-  
HK; 35.464VFK; 35.464VF-KI; 35.464VFC; 35.464VF-TM;  
41.343VFC; 41.343VFK; 41.364VF; 41.364VFC; 41.364VF-HK;  
41.364VFK; 41.364VF-KI; 41.364VFC; 41.373VF; 41.373VFC;  
41.373VF-HK; 41.373VFK; 41.373VF-KI; 41.373VFC;  
41.403VF; 41.403VFC; 41.403VF-HK; 41.403VFK; 41.403VF-KI;  
41.403VFC; 41.414VF; 41.414VFC; 41.414VF-HK; 41.414VFK;  
41.414VF-KI; 41.414VFC; 41.423VF; 41.423VFC; 41.423VF-  
HK; 41.423VFK; 41.423VF-KI; 41.423VFC; 41.463VF;  
41.463VFC; 41.463VF-HK; 41.463VFK; 41.463VF-KI;  
41.463VFC; 41.464VF; 41.464VFC; 41.464VF-HK; 41.464VFK;  
41.464VF-KI; 41.464VFC; 48.343VF; 48.343VFA; 48.403VF;  
48.403VFA; 48.463VF; 48.463VFA) (6x2 & 8x4/4)  
01.94-

AV/F 410x183 19495 **1949500764** **RIV818** **W0205MA MAC9495CAST** **1949578\*** **TF2051**  
**1949502** **TF2051KMG**

F2000 (26.273DFC; 26.273DFLC; 26.273DFLS;  
26.273DFS; 26.323DFC; 26.323DFLC;  
26.323DFLS; 26.323DFS; 26.373DFC;  
26.373DFLC; 26.373DFLS; 26.373DFS;  
26.423DFC; 26.423DFLC; 26.423DFLS;  
26.423DFS; 27.273DFC; 27.273DFS; 27.323DFC;  
27.323DFS; 27.373DFC; 27.373DFS; 27.423DFC;  
27.423DFS; 33.323DFC; 33.323DFK; 33.323DFS;  
33.373DFC; 33.373DFK; 33.373DF-KI;  
33.373DFRS; 33.373DFS; 33.423DFC;  
33.423DFK; 33.423DF-KI; 33.423DFRS;  
33.423DFS) (6x4) 01.94-

AR/R 410x223 19496 **1949600764** **RIV818** **W0205MA MAC9496CAST** **1949678\*** **TF2048**  
**1949602** **TF2048KMG**

AR/R 410x183 MAN 19495 **1949500764** **RIV818** **W0205MA MAC9495CAST** **1949578\***  
**1949502**



# APPLICATION PAR VEHICULES APPLICATION BY VEHICLES



MAN ..J..

F2000 (26.273DFK; 26.273DFLK; 26.293DFK;  
26.293DFLK; 26.314DFK; 26.314DFLK;  
26.314DFLK-L; 26.314DF-TM; 26.323DFK;  
26.323DFLK; 26.343DFK; 26.343DFLK;  
26.364DFK; 26.364DFLK; 26.364DFLK-L;  
26.364DF-TM; 26.373DFK; 26.373DFLK;  
26.403DFLK; 26.414DFK; 26.414DFLK;  
26.414DFLK-L; 26.414DF-TM; 26.423DFK;  
26.423DFLK; 26.463DFK; 26.463DFLK;  
26.463DFLK-L; 26.464DFK; 26.464DFLK;  
26.464DFLK-L; 26.464DFLS; 26.464DFS;  
26.464DF-TM; 26.603DFK; 26.603DFLK;  
27.273DFAC; 27.273DFAK; 27.273DFAS;  
27.273DFK; 27.293DFAC; 27.293DFAK;  
27.293DFAS; 27.293DFK; 27.314DFAC;  
27.314DFAK; 27.314DFA-KI; 27.314DFAKL;  
27.314DFAS; 27.314DFK; 27.314DF-KI;  
27.314DFLK; 27.314DFLK-L; 27.314DF-TM;  
27.323DFAC; 27.323DFAK; 27.323DFA-KI;  
27.323DFAS; 27.323DFK; 27.323DF-KI;  
27.343DFAC; 27.343DFAK; 27.343DFAS;  
27.343DFK) (6x4 & 6x6) 01.94-

AV/F 410x183

19495

1949500764  
1949502

RIV818

W0205MA MAC9495CAST 1949578\*

TF2051  
TF2051KMG

AR/R 410x183

19495

1949500764  
1949502

RIV818

W0205MA MAC9495CAST 1949578\*

F2000 (27.364DFAC; 27.364DFAK; 27.364DFA-  
KI; 27.364DFAKL; 27.364DFAS; 27.364DFK;  
27.364DF-KI; 27.364DFK-KI; 27.364DFK-L;  
27.364DF-TM; 27.373DFAC; 27.373DFAK;  
27.373DFA-KI; 27.373DFAKL; 27.373DFAS;  
27.373DFK; 27.373DF-KI; 27.373DFK-KI;  
27.373DFK-L; 27.373DF-TM; 27.403DFAC;  
27.403DFAK; 27.403DFA-KI; 27.403DFAKL;  
27.403DFAS; 27.403DFK; 27.403DF-KI;  
27.403DFK-KI; 27.403DFK-L; 27.403DF-TM;  
27.414DFAC; 27.414DFAK; 27.414DFA-KI;  
27.414DFAKL; 27.414DFAS) (6x4 & 6x6)  
01.94-

AV/F 410x183

19495

1949500764  
1949502

RIV818

W0205MA MAC9495CAST 1949578\*

TF2051  
TF2051KMG

AR/R 410x183

19495

1949500764  
1949502

RIV818

W0205MA MAC9495CAST 1949578\*



# APPLICATION PAR VEHICULES APPLICATION BY VEHICLES



## MAN ..../.

F2000 (26.273FNLC; 26.273FNLLC;  
26.273FNLS; 26.273FVLC; 26.273FVLS;  
26.323FNLC; 26.323FNLLC; 26.323FNLS;  
26.323FVLC; 26.323FVLS; 26.373FNLC;  
26.373FNLLC; 26.373FNLS; 26.373FVLC;  
26.373FVLS; 26.423FNLC; 26.423FNLLC;  
26.423FNLS; 26.423FVLC; 26.423FVLS)  
(6x2/2/4) 01.94-

AR/R2 410x143 MAN 17238 **1723802 RIV815 W0205MA**

F2000 (26.293DFC; 26.293DFLC; 26.293DFLS;  
26.293DFS; 26.343DFC; 26.343DFLC; 26.343DFLS;  
26.343DFS; 26.403DFC; 26.403DFLC; 26.403DFLS;  
26.403DFS; 26.463DFC; 26.463DFLC; 26.463DFLS;  
26.463DFS; 26.603DFC; 26.603DFLC; 26.603DFLS;  
26.603DFS; 27.293DFC; 27.293DFS; 27.343DFC;  
27.343DFS; 27.314FVL; 27.364FVL; 27.403DFC;  
27.403DFS; 27.463DFC; 27.463DFS; 27.464DFC;  
27.464DFS; 27.464FVL; 27.603DFS; 27.604DFS;  
33.343DFC; 33.343DFK; 33.343DFS; 33.403DFC;  
33.403DFK; 33.403DF-KI; 33.403DFRS; 33.403DFS;  
27.414FVL; 33.463DFC; 33.463DFK; 33.463DF-KI;  
33.463DFRS; 33.463DFS; 33.603DFC; 33.603DFRS;  
33.603DFS; 33.604DFS) (6x4) 01.94-

AR/R 410x223 MAN (OPTION) 19496 **1949600764 1949602 RIV818 W0205MA MAC9496CAST 1949678\* TF2048 TF2048KMG** TM

AR/R 410x183 MAN 19495 **1949500764 1949502 RIV818 W0205MA MAC9495CAST 1949578\***

**GIL**  
Automotive

# APPLICATION PAR VEHICULES APPLICATION BY VEHICLES



MAN ..J..

F2000 (27.414DFK; 27.414DF-KI; 27.414DFK-KI;  
27.414DFK-L; 27.414DF-TM; 27.423DFAC;  
27.423DFAK; 27.423DFA-KI; 27.423DFAKL;  
27.423DFAS; 27.423DFK; 27.423DF-KI; 27.423DFK-KI;  
27.423DFK-L; 27.423DF-TM; 27.463DFAC;  
27.463DFAK; 27.463DFA-KI; 27.463DFAKL;  
27.463DFAS; 27.463DFK; 27.463DF-KI; 27.463DFK-KI;  
27.463DFK-L; 27.463DF-TM; 27.464DFAC;  
27.464DFAK; 27.464DFA-KI; 27.464DFAKL;  
27.464DFAS; 27.464DFK; 27.464DF-KI; 27.464DFK-KI;  
27.464DFK-L; 27.464DF-TM; 27.603DFAS;  
27.604DFAS; 32.293VFC; 32.314VVF; 32.314VFC;  
32.314VFK; 32.314VF-TM; 32.343VFC; 32.343VFK;  
32.364VVF; 32.364VFC; 32.364VVF-HK; 32.364VFK;  
32.364VF-TM; 32.403VFC; 32.403VFK; 32.414VVF;  
32.414VFC; 32.414VVF-HK; 32.414VFK; 32.414VF-TM;  
32.463VFC; 32.463VFK; 32.464VVF-HK; 32.464VFK;  
32.464VF-TM; 32.464VVFVFC; 33.323DFAC;  
33.323DFAK; 33.323DFAS; 33.343DFAC; 33.343DFAK;  
33.343DFAS; 33.364DFAC; 33.364DFAK; 33.364DFAK-  
HK; 33.364DFAKI; 33.364DFAS; 33.373DFAC;  
33.373DFAK; 33.373DFAK-HK; 33.373DFAKI;  
33.373DFAS; 33.403DFAC; 33.403DFAK; 33.403DFAK-  
HK; 33.403DFAKI; 33.403DFAS; 33.414DFAC;  
33.414DFAK; 33.414DFAK-HK; 33.414DFAKI;  
33.414DFAS; 33.423DFAC; 33.423DFAK; 33.423DFAK-  
HK; 33.423DFAKI; 33.423DFAS; 33.463DFAC;  
33.463DFAK; 33.463DFAK-HK; 33.463DFAKI;  
33.463DFAS; 33.464DFAC; 33.464DFAK; 33.464DFAK-  
HK; 33.464DFAKI; 33.464DFAS; 33.603DFAC;  
33.603DFAS; 33.604DFAS; 37.414VFA; 37.464VFA;  
40.373DFAK; 40.373DFK; 40.414DFAK; 40.414DFK;  
40.423DFAK; 40.423DFK) (6x4 & 6x6 & 8x4/4 &  
8x8) 01.94-

AV/F 410x183 19495

1949500764  
1949502

RIV818

W0205MA MAC9495CAST 1949578\*

TF2051  
TF2051KMG

AR/R 410x183 19495

1949500764  
1949502

RIV818

W0205MA MAC9495CAST 1949578\*

F2000 (40.273DFAK; 40.273DFK; 40.403DFAC;  
40.403DFK; 40.463DFAK; 40.463DFAS; 40.463DFK;  
40.464DFAK; 40.464DFAS; 40.464DFK) (6x4 & 6x6)  
01.94-

AV/F 410x183 19495

1949500764  
1949502

RIV818

W0205MA MAC9495CAST 1949578\*

TF2051  
TF2051KMG

AR/R 410x183 19495

1949500764  
1949502

RIV818

W0205MA MAC9495CAST 1949578\*

\* Kit mâchoires garnies sans accessoires / Lined brake shoes kit without fitting kit

# APPLICATION PAR VEHICULES APPLICATION BY VEHICLES



## MAN ..J..

F2000 (40.403DFAS; 40.403DFS; 40.463DFS) (6x4 & 6x6) 01.94-	AR/R	410x183	MAN	19495	<b>1949500764</b> <b>1949502</b>	<b>RIV818</b>	<b>W0205MA MAC9495CAST</b>	<b>1949578*</b>	
	AV/F	410x163		19713	<b>1971301</b>	<b>RIV818</b>	<b>W0205MA</b>		
F9 (15.192F; 15.192FL; 15.192FS) (4x2) 01.83-12.86	AR/R	410x183	MAN	19495	<b>1949500764</b> <b>1949502</b>	<b>RIV818</b>	<b>W0205MA MAC9495CAST</b>	<b>1949578*</b>	
	AR/R	410x223	OPTION	19496	<b>1949600764</b> <b>1949602</b>	<b>RIV818</b>	<b>W0205MA MAC9496CAST</b>	<b>1949678*</b>	<b>TF2048</b> <b>TF2048KMG</b>

F90 (15.192FL; 19.262FA; 19.262FAK;  
19.262FAS; 19.272FA; 19.272FAK; 19.272FAS;  
19.292FA; 19.292FAK; 19.292FAS; 19.322FAK;  
19.322FAK; 19.322FAS; 19.332FA; 19.332FAK;  
19.332FAS; 19.342FA; 19.342FAK; 19.342FAS;  
19.362FA; 19.362FAK; 19.362FAS; 19.372FA;  
19.372FAK; 19.372FAS; 19.402FA; 19.402FAK;  
19.402FAS; 19.422FA; 19.422FAK; 19.422FAS;  
26.242DF; 26.242DFAK; 26.242DFK; 26.242DFS;  
26.262DF; 26.262DFA; 26.262DFAK;  
26.262DFAS; 26.262DFK; 26.262DFS; 26.272DF;  
26.272DFA; 26.272DFAK; 26.272DFAS;  
26.272DFK; 26.272DFLS; 26.272DFS; 26.292DF;  
26.292DFA; 26.292DFAK; 26.292DFAS;  
26.292DFK; 26.292DFL; 26.292DFS; 26.302DF;  
26.302DFA; 26.302DFAK; 26.302DFAS;  
26.302DFK; 26.302DFS; 26.322DF; 26.322DFA;  
26.322DFAK; 26.322DFAS; 26.322DFK;  
26.322DFLS; 26.322DFS; 26.332DF; 26.332DFA;  
26.332DFAK; 26.332DFAS; 26.332DFK;  
26.332DFL) (4x2 & 4x4 & 6x4 & 6x6 &  
8x8/4) 07.86-12.97

TM

GIL

AV/F	410x163	19713		<b>1971301</b>	<b>RIV818</b>	<b>W0205MA</b>		
AR/R	410x223	19496	MAN	<b>1949600764</b> <b>1949602</b>	<b>RIV818</b>	<b>W0205MA MAC9496CAST</b>	<b>1949678*</b>	<b>TF2048</b> <b>TF2048KMG</b>

Automotive

\* Kit mâchoires garnies sans accessoires / Lined brake shoes kit without fitting kit

# APPLICATION PAR VEHICULES APPLICATION BY VEHICLES



MAN ..J..

F90 (19.242F; 19.242FK; 19.242FL; 19.242FLL;  
19.242FLLS; 19.242FLS; 19.242FS; 19.262F; 19.262FK;  
19.262FL; 19.262FLL; 19.262FLLS; 19.262FLS;  
19.262FS; 19.272F; 19.272FK; 19.272FL; 19.272FLL;  
19.272FLLS; 19.272FLS; 19.272FS; 19.292F; 19.292FK;  
19.292FL; 19.292FLL; 19.292FLLS; 19.292FLS;  
19.292FS; 19.322F; 19.322FK; 19.322FL; 19.322FLL;  
19.322FLLS; 19.322FLS; 19.322FS; 19.332F; 19.332FK;  
19.332FL; 19.332FLL; 19.332FLLS; 19.332FLS;  
19.332FS; 19.342F; 19.342FK; 19.342FL; 19.342FLL;  
19.342FLLS; 19.342FLS; 19.342FS; 19.362F; 19.362FK;  
19.362FL; 19.362FLL; 19.362FLLS; 19.362FLS;  
19.362FS; 19.372F; 19.372FK; 19.372FL; 19.372FLL;  
19.372FLLS; 19.372FLS; 19.372FS; 19.402F; 19.402FK;  
19.402FL; 19.402FLL; 19.402FLLS; 19.402FLS;  
19.402FS; 19.422F; 19.422FK; 19.422FL; 19.422FLL;  
19.422FLLS; 19.422FLS; 19.422FS; 19.462F; 19.462FK;  
19.462FL; 19.462FLS; 19.462FS; 19.502F; 19.502FL;  
19.502FLL; 19.502FS; 19.502FLS; 19.502FLLS) (4x2)  
07.86-12.97

AV/F 410x183

19495

1949500764  
1949502

RIV818

W0205MA MAC9495CAST 1949578\*

TF2051  
TF2051KMG  
(TOP VENTE)

MAN

TM

F90 (23.272FNL; 23.322FNL;  
23.372FNL; 23.422FNL) 01.86-12.94

AV/F 410x183

19495

1949500764  
1949502

RIV818

W0205MA MAC9495CAST 1949578\*

TF2051  
TF2051KMG  
(TOP VENTE)

MAN

AR/R2 410x143

17238

1723802  
1949600764  
1949602

RIV815

W0205MA

AR/R 410x223

19496

RIV818

W0205MA MAC9496CAST 1949678\*

TF2048  
TF2048KMG

Automotive



# APPLICATION PAR VEHICULES APPLICATION BY VEHICLES



MAN ..J..

F90 (24.242DF; 24.242DFK; 24.242DFS;

24.262DF; 24.262DFK; 24.262DFLS; 24.262DFS;  
24.272DF; 24.272DFK; 24.272DFLS; 24.272DFS;  
24.292DF; 24.292DFK; 24.292DFLS; 24.292DFS;  
24.302DF; 24.302DFK; 24.302DFLS; 24.302DFS;  
24.322DF; 24.322DFK; 24.322DFLS; 24.322DFS;  
24.332DF; 24.332DFK; 24.332DFLS; 24.332DFS;  
24.362DF; 24.362DFK; 24.362DFLS; 24.362DFS;  
24.372DF; 24.372DFK; 24.372DFLS; 24.372DFS;  
24.422DF; 24.422DFK; 24.422DFLS; 24.422DFS;  
24.462DF; 24.462DFS) (6x4) 07.86-12.97

AV/F 410x183

19495

1949500764  
1949502

RIV818

W0205MA MAC9495CAST 1949578\*

TF2051  
TF2051KMG  
(TOP VENTE)

MAN

AR/R 410x223

19496

1949600764  
1949602

RIV818

W0205MA MAC9496CAST 1949678\*

TF2048  
TF2048KMG

F90 (24.502DF; 24.502DFK; 24.502DFS;

25.272DF; 25.272DFK; 25.272DFLS; 25.272DFS;  
25.302DF; 25.302DFK; 25.302DFLS; 25.302DFS;  
25.322DF; 25.322DFK; 25.322DFL; 25.322DFLS;  
25.322DFS; 25.372DF; 25.372DFK; 25.372DFLS;  
25.372DFS; 25.422DF; 25.422DFK; 25.422DFLS;  
25.422DFS; 25.502DF; 25.502DFS) (6x4) 07.86-  
12.97

AV/F 410x183

19495

1949500764  
1949502

RIV818

W0205MA MAC9495CAST 1949578\*

TF2051  
TF2051KMG  
(TOP VENTE)

MAN

AR/R 410x223

19496

1949600764  
1949602

RIV818

W0205MA MAC9496CAST 1949678\*

TF2048  
TF2048KMG

F90 (24.242FNL; 24.242FNLL; 24.242FVL; 24.262FNL;

24.262FNLL; 24.262FVL; 24.272FNL; 24.272FNLL;  
24.272FNLS; 24.272FVL; 24.272FVLS; 24.292FNL;  
24.292FNLL; 24.292FNLS; 24.292FVL; 24.292FVLS;  
24.302FNL; 24.302FNLL; 24.302FVL; 24.322FNL;  
24.322FNLL; 24.322FNLS; 24.322FVL; 24.322FVLS;  
24.332FNL; 24.332FNLL; 24.332FNLS; 24.332FVL;  
24.332FVLS; 24.342FNL; 24.342FNLL; 24.362FNL;  
24.362FNLL; 24.362FNLS; 24.362FVL; 24.362FVLS;  
24.372FNL; 24.372FNLL; 24.372FNLS; 24.372FVL;  
24.372FVLS; 24.402FNL; 24.402FNLL; 24.422FNL;  
24.422FNLL; 24.422FVL; 24.462FNL; 24.462FVLS;  
24.502FNL; 25.272FNL; 25.272FNLL) (6x2 &  
6x2/2/4) 07.86-12.97

AV/F 410x183

19495

1949500764  
1949502

RIV818

W0205MA MAC9495CAST 1949578\*

TF2051  
TF2051KMG  
(TOP VENTE)

AR/R2 410x143 MAN

17238

1723802

RIV815

W0205MA

AR/R 410x223

19496

1949600764  
1949602

RIV818

W0205MA MAC9496CAST 1949678\*

TF2048  
TF2048KMG

# APPLICATION PAR VEHICULES APPLICATION BY VEHICLES



**MAN ..J..**

<p>F90 (25.272FVL; 25.302FNL; 25.302FNLL; 25.302FNLS; 25.302FVL; 25.302FVLS; 25.322FNL; 25.322FNLL; 25.322FNLS; 25.322FVL; 25.322FVLS; 25.372FNL; 25.372FNLL; 25.372FNLS; 25.372FVL; 25.372FVLS; 25.422FNL; 25.422FNLL; 25.422FNLS; 25.422FVLS; 25.502FNL; 26.272FNL; 26.272FNLL; 26.272FNLS; 26.272FVLS; 26.302FNL; 26.302FNLL; 26.302FNLS; 26.302FVL; 26.302FVLS; 26.322FNL; 26.322FNLL; 26.322FNLS; 26.322FVLS; 26.372FNL; 26.372FNLL; 26.372FNLS; 26.372FVL; 26.372FVLS; 26.402FNL; 26.402FNLL; 26.402FNLS; 26.402FVL; 26.402FVLS; 26.422FNL; 26.422FNLL; 26.422FNLS; 26.422FVL; 26.422FVLS; 26.502FNL; 26.502FNLL) (6x2 &amp; 6x2/2/4) 07.86-12.97</p>	AV/F 410x183	19495	<b>1949500764 1949502</b>	<b>RIV818</b>	<b>W0205MA MAC9495CAST 1949578*</b>	<b>TF2051 TF2051KMG (TOP VENTE)</b>
	AR/R2 410x163	19713	<b>1971301</b>	<b>RIV818</b>	<b>W0205MA</b>	
	MAN					
	AR/R2 410x143	17238	<b>1723802</b>	<b>RIV815</b>	<b>W0205MA</b>	
AR/R 410x223	19496	<b>1949600764 1949602</b>	<b>RIV818</b>	<b>W0205MA MAC9496CAST 1949678*</b>	<b>TF2048 TF2048KMG</b>	

<p>F90 (26.332DFS; 26.342DF; 26.342DFK; 26.342DFL; 26.342DFLK; 26.342DFS; 26.362DF; 26.362DFA; 26.362DFAK; 26.362DFAS; 26.362DFK; 26.362DFL; 26.362DFS; 26.372DF; 26.372DFA; 26.372DFAK; 26.372DFAS; 26.372DFK; 26.372DFL; 26.372DFS; 26.402DF; 26.402DFK; 26.402DFL; 26.402DFLK; 26.402DFS; 26.422DF; 26.422DFA; 26.422DFAK; 26.422DFAS; 26.422DFK; 26.422DFL; 26.422DFS; 26.462DF; 26.462DFA; 26.462DFAS; 26.462DFS; 33.242DFAK; 33.262DFA; 33.262DFAK; 33.272DFA; 33.292DFA; 33.292DFAK; 33.292DFAS; 33.322DFA; 33.332DFA; 33.332DFAK; 33.332DFAS; 33.342DFA; 33.362DFA; 33.362DFAK; 33.362DFAS; 33.372DFA; 33.372DFAK; 33.402DFA; 33.402DFAK; 33.422DFA; 33.422DFAK; 33.462DFA; 35.262VFA; 35.302VFA; 35.302VFAK; 35.322VFAK; 40.372DFA; 40.402DFA; 40.422DFA; 40.462DFA; 48.292VFA; 48.292VFAK; 48.332VFA; 48.332VFAK; 48.362VFA; 48.362VFAK) (4x2 &amp; 4x4 &amp; 6x4 &amp; 6x6 &amp; 8x8/4) 07.86- 12.97</p>	AV/F 410x163	19713	<b>1971301</b>	<b>RIV818</b>	<b>W0205MA</b>	
	MAN					
	AR/R 410x223	19496	<b>1949600764 1949602</b>	<b>RIV818</b>	<b>W0205MA MAC9496CAST 1949678*</b>	<b>TF2048 TF2048KMG</b>

Automotive

\* Kit mâchoires garnies sans accessoires / Lined brake shoes kit without fitting kit

# APPLICATION PAR VEHICULES APPLICATION BY VEHICLES



## MAN ..J..

F90 (26.502DF; 26.502DFS; 26.502DFLS; 33.502DF; 26.502DFA; 26.502DFAS; 33.502DFA; 40.502DFA) (6x4 & 6x6) 02.90-06.96	AV/F 410x163 MAN	19713	1971301	RIV818	W0205MA		
	AR/R 410x223	19496	1949600764 1949602	RIV818	W0205MA MAC9496CAST	1949678*	TF2048 TF2048KMG
F90 (27.272DF; 27.272DFA; 27.272DFAK; 27.272DFAS; 27.272DFK; 27.272DFS; 27.322DF; 27.322DFA; 27.322DFAK; 27.322DFAS; 27.322DFK; 27.322DFS; 27.372DF; 27.372DFA; 27.372DFAK; 27.372DFAS; 27.372DFK; 27.372DFS; 27.422DF; 27.422DFA; 27.422DFAK; 27.422DFAS; 27.422DFK; 27.422DFS; 27.502DF; 27.502DFA; 27.502DFAS; 27.502DFS; 41.262VFAK; 41.292VFAK; 41.322VFAK; 41.332VFAK; 41.362VFAK; 41.372VFAK; 41.422VFAK) 01.89-12.96	AV/F 410x163 MAN	19713	1971301	RIV818	W0205MA		
	AR/R 410x223	19496	1949600764 1949602	RIV818	W0205MA MAC9496CAST	1949678*	TF2048 TF2048KMG
F90 (32.262VF; 32.262VFK; 32.262VFTM; 32.272VF; 32.272VFK; 32.292VF; 32.292VFK; 32.302VF; 32.302VFK; 32.322VF; 32.322VFK; 32.332VF; 32.332VFK; 32.342VFK; 32.362VF; 32.362VFK; 32.372VF; 32.372VFK; 32.402VFK; 32.422VF; 32.422VFK; 33.242DFK; 33.262DF; 33.262DFK; 33.272DF; 33.272FVL; 33.292DF; 33.292DFK; 33.292DFS; 33.322DF; 33.322FVL; 33.332DF; 33.332DFK; 33.332DFS; 33.342DF; 33.362DF; 33.362DFK; 33.362DFS; 33.372DF; 33.372DFK; 33.372DFS; 33.402DF; 33.402DFK; 33.402DFS; 33.422DF; 33.422DFK; 33.422DFS; 33.462DF; 40.372DF; 40.402DF; 40.422DF; 40.462DF; 48.292VF; 48.332VF; 48.362VF; 48.462VF) (6x2/4 & 8x4/4) 07.86-12.97	AV/F 410x183 MAN	19495	1949500764 1949502	RIV818	W0205MA MAC9495CAST	1949578*	TF2051 TF2051KMG (TOP VENTE)
	AR/R 410x223	19496	1949600764 1949602	RIV818	W0205MA MAC9496CAST	1949678*	TF2048 TF2048KMG

Automotive

# APPLICATION PAR VEHICULES APPLICATION BY VEHICLES



## MAN ..../.

F90 (35.262VF; 35.262VFK; 35.272VF;

35.272VFK; 35.292VF; 35.292VFK;

35.302VF; 35.302VFK; 35.322VFK;

35.322VK; 35.332VF; 35.332VFK;

35.342VF; 35.342VFK; 35.362VF;

35.362VFK; 35.372VF; 35.372VFK;

35.402VF; 35.402VFK; 35.422VF;

35.422VFK; 41.262VF; 41.262VFK;

41.272VF; 41.292VF; 41.292VFK;

41.322VF; 41.332VF; 41.332VFK;

41.342VF; 41.362VF; 41.362VFK;

41.372VF; 41.402VF; 41.422VF) (8x4/4 &

8X6/4) 07.86-12.97

AV/F 410x163 MAN

19713

1971301

RIV818

W0205MA

35.362VFK; 35.372VF; 35.372VFK;

35.402VF; 35.402VFK; 35.422VF;

35.422VFK; 41.262VF; 41.262VFK;

41.272VF; 41.292VF; 41.292VFK;

41.322VF; 41.332VF; 41.332VFK;

41.342VF; 41.362VF; 41.362VFK;

41.372VF; 41.402VF; 41.422VF) (8x4/4 &

8X6/4) 07.86-12.97

AV/F 410x183 MAN  
(OPTION)

19495

1949500764

1949502

RIV818

W0205MA MAC9495CAST 1949578\*

TF2051

TF2051KMG

(TOP VENUE)

L2000 (8.103LC; 8.103LLC; 8.113LC; 8.113LLC;

8.150FOC; 8.150FOCL; 8.153LC; 8.153LLC; 8.153LLS;

8.163LC; 8.163LLC; 8.163L-LF; 8.163LL-LF; 8.163LLRC;

8.163LLRS; 8.163LLS; 8.163LRC; 8.220FOC;

8.220FOCL; 8.223LC; 8.223LLC; 8.223LLS; 8.224LC;

8.224LLC; 8.224LLRC; 8.224LLRS; 8.224LLS;

8.224LRC; 9.153LC; 9.153LLC; 9.153LLS; 9.163LC;

9.163LLC; 9.163LLRC; 9.163LLRS; 9.163LLS;

9.163LRC; 9.223LC; 9.223LLC; 9.223LLS; 9.224LC;

9.224LLC; 9.224LLRC; 9.224LLRS; 9.224LLS;

9.224LRC; 10.150FOC; 10.153F; 10.153LC; 10.153LLC;

10.153LLS; 10.163LC; 10.163LLC; 10.163LLRS;

10.163LLS; 10.220FOC; 10.220FOCL; 10.223F;

10.223FL; 10.223LC; 10.223LLC; 10.223LLS; 10.224F;

10.224FL; 10.224LC; 10.224LLC; 10.224LLRC;

10.224LLRS; 10.224LLS) (4x2) 10.93-

AR/R 325x099 MERITOR

15879

1587906

RIV815

10.163LLS; 10.220FOC; 10.220FOCL; 10.223F;

10.223FL; 10.223LC; 10.223LLC; 10.223LLS; 10.224F;

10.224FL; 10.224LC; 10.224LLC; 10.224LLRC;

10.224LLRS; 10.224LLS) (4x2) 10.93-

AR/R 325x149 MERITOR  
(OPTION)

17988

1798806

RIV815

Automotive



# APPLICATION PAR VEHICULES APPLICATION BY VEHICLES



MAN ..J..

L2000 (8.145LAE-LF; 8.145LA-LF; 8.153LAEC;  
8.153LAEK; 8.163LAC; 8.163LAEC; 8.163LAEK;  
8.163LAEK-L; 8.163LAE-LF; 8.163LAERC;  
8.163LAERK; 8.163LAERK-L; 8.163LAK;  
8.163LAK-L; 8.163LA-LF; 8.163LARC;  
8.163LARK; 8.163LARK-L; 8.163LLAEC;  
8.185LAC; 8.185LAEC; 8.185LAEK; 8.185LAEK-L;  
8.185LAE-LF; 8.185LAERC; 8.185LAERK;  
8.185LAERK-L; 8.185LAK; 8.185LAK-L; 8.185LA-  
LF; 8.185LARC; 8.185LARK; 8.185LARK-L;  
8.223LAEC; 8.224LAC; 8.224LAEC; 8.224LAEK;  
8.224LAEK-L; 8.224LAERC; 8.224LAERK;  
8.224LAERK-L; 8.224LAK; 8.224LAK-L;  
8.224LARC; 8.224LARK; 8.224LARK-L;  
8.225LAC; 8.225LAEC; 8.225LAEK; 8.225LAEK-L;  
8.225LAERC; 8.225LAERK; 8.225LAERK-L;  
8.225LAK; 8.225LAK-L; 8.225LARC; 8.225LARK;  
8.225LARK-L) (4x2 & 4x4) 10.93-

AV/F 325x149

17988

1798806

RIV815

MERITOR  
(OPTION)

TM

L2000 (10.153FA; 10.153LAEK; 10.163FA;  
10.163LAC; 10.163LAEC; 10.163LAEK; 10.163LAEK-L;  
10.163LAERC; 10.163LAERK; 10.163LAERK-L;  
10.163LAK; 10.163LAK-L; 10.163LARC; 10.163LARK;  
10.185LAC; 10.185LAEC; 10.185LAE-GT; 10.185LAEK;  
10.185LAEK-L; 10.185LAE-LF; 10.185LAERC;  
10.185LAERK; 10.185LAERK-L; 10.185LAK-L; 10.185LA-  
LA; 10.185LARC; 10.185LARK; 10.185LLAK; 10.223FA;  
10.223LAEC; 10.224FA; 10.224LAC; 10.224LAEC;  
10.224LAEK; 10.224LAERC; 10.224LAERK;  
10.224LAERK-L; 10.224LAK; 10.224LAK-L;  
10.224LARC; 10.224LARK; 10.224LLAEC-L; 10.225LAC;  
10.225LAEC; 10.225LAE-GT; 10.225LAEK; 10.225LAEK-  
L; 10.225LAE-LF; 10.225LAERC; 10.225LAERK;  
10.225LAERK-L; 10.225LAK; 10.225LAK-L;  
10.225LARC; 10.225LARK) (4x2 & 4x4) 10.93-

AV/F 325x149

17988

1798806

RIV815

MERITOR  
(OPTION)

AR/R 325x149

17988

1798806

RIV815

Automotive

# APPLICATION PAR VEHICULES APPLICATION BY VEHICLES



## MAN ..J..

LION S CITY (A20; A23) (4x2 & 6x2) 08.96-	AV/F	410x163	MAN	19579/19706	<b>1970601</b>	<b>RIV818</b>	<b>W0205MA</b>	
	AR/R	410x222		19581/19707	<b>1970701</b>	<b>RIV818</b>	<b>W0205MA</b>	
LION S COACH (FRH352; RH353; FRH402; RH403; RH413; RHC414; RH463; RHC464) (4x2 & 6x2) 09.95-	AR/R	410x222	MAN	19581/19707	<b>1970701</b>	<b>RIV818</b>	<b>W0205MA</b>	
LION S COMFORT (RN313; RN353) (4x2) 06.96-	AR/R	410x222	MAN	19581/19707	<b>1970701</b>	<b>RIV818</b>	<b>W0205MA</b>	
LION S STAR (FRH352; FRH402; FRH422; RH353; RH403; RH414; RHS414; RH464; RHS464) (4x2 & 6x2) 01.93-	AR/R	410x222	MAN	19581/19707	<b>1970701</b>	<b>RIV818</b>	<b>W0205MA</b> TM	
M2000L (14.163LKLK; 14.224LAACLARC; 14.224LAK; 14.224LAK-L; 14.224LARK; 14.224LC; 14.224LKLK; 14.224LLC; 14.224LLLC; 14.224LLLRC; 14.224LLRC; 14.224LRC; 14.225LAC; 14.225LAK; 14.225LAK-L; 14.225LARC; 14.225LARK; 14.225LC; 14.225LK; 14.225LLC; 14.225LLLC; 14.225LLLRC; 14.225LLRC; 14.225LRC; 14.225LRK; 14.225LC; 14.225LLC; 14.225LLLC; 14.225LLLRC; 14.225LLRC; 14.225LRC; 14.263LAC; 14.263LAK; 14.263LAK-L; 14.263LARC; 14.263LARK; 14.263LC; 14.263LK; 14.263LLC; 14.263LLLC; 14.263LLLRC; 14.263LLRC; 14.263LRC; 14.263LRK; 14.264LAC; 14.264LAK; 14.264LAK-L; 14.264LARC; 14.264LARK; 14.264LC; 14.264LK; 14.264LLC; 14.264LLLC; 14.264LLLRC; 14.264LLRC; 14.264LRC; 14.264LRK; 14.284LAC; 14.284LAK; 14.284LAK-L; 14.284LA-LF; 14.284LARC; 14.284LARK; 14.284LC; 14.284LK; 14.284LLC; 14.284LLLC; 14.284LLLRC; 14.284LLRC; 14.284LRC; 14.284LRK; 14.285LAC; 14.285LAK; 14.285LAK-L; 14.285LA-LF; 14.285LARC; 14.285LARK; 14.285LC; 14.285LK; 14.285LLC; 14.285LLLC; 14.285LLLRC; 14.285LLRC; 14.285LRC; 14.285LRK; 18.255L-KO; 18.255LR-KO; 18.263LAC; 18.263LARC; 18.263L-KO; 18.263LR-KO; 18.264LAC; 18.264LARC; 18.264L-KO; 18.264LR-KO; 18.284L-KO; 18.284LR-KO; 18.285L-KO; 18.285LR-KO) (4x2 & 4x4) 08.95-	AV/F	360x143		17017	<b>1701703</b>	<b>RIV815</b>	<b>MAC7017</b>	<b>1701780</b>
	AR/R	360x163	MERITOR WEDGE BRAKE	19177	<b>1917705</b>	<b>RIV815</b>	<b>MAC9177</b>	<b>1917780</b>
	AR/R	360x183		19708/19867	<b>1970803</b>	<b>RIV815</b>	<b>MAC9708</b>	<b>1970880</b>

# APPLICATION PAR VEHICULES APPLICATION BY VEHICLES



## MAN ..J..

M2000L (15.163LC; 15.163LK; 15.163LK-L;  
15.163LLC; 15.163LLLC; 15.163LLRC; 15.163LLRC;  
15.163LRC; 15.163LRK; 15.185LC; 15.185LK; 15.185LK-  
L; 15.185LLC; 15.185LLLC; 15.185LLRC; 15.185LLRC;  
15.185LRC; 15.185LRK; 15.224LC; 15.224LK; 15.224LK-  
L; 15.224LLC; 15.224LLLC; 15.224LLRC; 15.224LLRC;  
15.224LRC; 15.224LRK; 15.225LC; 15.225LK; 15.225LK-  
L; 15.225LLC; 15.225LLLC; 15.225LLRC; 15.225LLRC;  
15.225LRC; 15.225LRK; 15.255LC; 15.255LK; 15.255LK-  
L; 15.255LLC; 15.255LLLC; 15.255LLRC; 15.255LLRC;  
15.255LRC; 15.255LRK; 15.263LC; 15.263LK;  
15.263LKL; 15.263LLC; 15.263LLLC; 15.263LLRC;  
15.263LLRC; 15.263LRC; 15.263LRK; 15.264LC;  
15.264LK; 15.264LKL; 15.264LLC; 15.264LLLC;  
15.264LLRC; 15.264LLRC; 15.264LRC; 15.264LRK;  
15.284LC; 15.284LK; 15.284LK-L; 15.284LLC;  
15.284LLLC; 15.284LLRC; 15.284LLRC; 15.284LRC;  
15.284LRK; 15.285LC; 15.285LK; 15.285LK-L;  
15.285LLC; 15.285LLLC; 15.285LLRC; 15.285LLRC;  
15.285LRC; 15.285LRK) (4x2 & 4x4 & 6x2/4 &  
6x4) 08.95-

AV/F	410x163	19713	1971301	RIV818	W0205MA
AR/R	410x183	19495	1949500764 1949502	RIV818	W0205MA MAC9495CAST 1949578*

M2000L (18.224LACLARC; 18.224LAK; 18.224LAK-  
L; 18.224LARC; 18.224LARK; 18.224LC; 18.224LK;  
18.224LK-L; 18.224L-KO; 18.224LLC; 18.224LLK;  
18.224LLK-L; 18.224LLLC; 18.224LLRC; 18.224LLRC;  
18.224LLRK; 18.224LRC; 18.224LRK; 18.224LR-KO;  
18.225LAC; 18.225LAK; 18.225LAK-L; 18.225LARC;  
18.225LARK; 18.225LC; 18.225LK; 18.225LK-L; 18.225L-  
KO; 18.225LLC; 18.225LLK; 18.225LLK-L; 18.225LLLC;  
18.225LLRC; 18.225LLRC; 18.225LLRK; 18.225LRC;  
18.225LRK; 18.225LR-KO; 18.255LAC; 18.255LAK;  
18.255LAK-L; 18.255LARC; 18.255LARK; 18.255LC;  
18.255LK; 18.255LK-L; 18.255LLC; 18.255LLK;  
18.255LLK-L; 18.255LLLC; 18.255LLRC; 18.255LLRC;  
18.255LLRK; 18.255LRC; 18.255LRK) (4x2 & 4x4 &  
6x2/4 & 6x4) 08.95-

AV/F	410x163	19713	1971301	RIV818	W0205MA
AR/R	410x183	19495	1949500764 1949502	RIV818	W0205MA MAC9495CAST 1949578*

# APPLICATION PAR VEHICULES APPLICATION BY VEHICLES



## MAN ..J..

M2000L (18.263LAK; 18.263LAK-L; 18.263LARK;  
18.263LC; 18.263LK; 18.263LK-L; 18.263LLC;  
18.263LLK; 18.263LLK-L; 18.263LLLC; 18.263LLRC;  
18.263LLRK; 18.263LRC; 18.263LRK; 18.264LAK;  
18.264LAK-L; 18.264LARK; 18.264LK; 18.264LK-L;  
18.264LLK; 18.264LLK-L; 18.264LLRK; 18.264LRK;  
18.284LAC; 18.284LAK; 18.284LAK-L; 18.284LARC;  
18.284LARK; 18.284LK; 18.284LK-L; 18.284LLK;  
18.284LLK-L; 18.284LLRC; 18.284LLRK; 18.284LRK;  
18.285LAC; 18.285LAK; 18.285LAK-L; 18.285LARC;  
18.285LARK; 18.285LC; 18.285LK; 18.285LK-L;  
18.285LLC; 18.285LLK; 18.285LLK-L; 18.285LLLC;  
18.285LLRC; 18.285LLRK; 18.285LRC;  
18.285LRK) (4x2 & 4x4 & 6x2/4 & 6x4)  
08.95-

AV/F 410x163

19713

1971301

RIV818

W0205MA

MAN

AR/R 410x183

19495

1949500764  
1949502

RIV818

W0205MA MAC9495CAST 1949578\*

M2000L (19.224LC; 19.224LLC; 19.224LLLC;  
19.224LLRC; 19.224LLRC; 19.224LRC; 19.225LC;  
19.225LLC; 19.225LLLC; 19.225LLRC; 19.225LLRC;  
19.225LRC; 19.264LC; 19.264LLC; 19.264LLLC;  
19.264LLRC; 19.264LLRC; 19.264LRC; 19.284LC;  
19.284LLC; 19.284LLLC; 19.284LLRC; 19.284LLRC;  
19.284LRC; 19.285LC; 19.285LLC; 19.285LLLC;  
19.285LLRC; 19.285LLRC; 19.285LRC; 20.224LNLC;  
20.224LNLLC; 20.225LNLC; 20.225LNLLC;  
20.264LNLC; 20.264LNLLC; 20.284LNLC;  
20.284LNLLC; 20.285LNLC; 20.285LNLLC; 26.224DL-  
HK; 26.224DLRHK; 26.255DL-HK; 26.255DLR-HK;  
26.284DL-HK; 26.284DLRHK; 26.284DLR-TM; 26.284DL-  
TM; 26.285DL-HK; 26.285DLRHK; 26.285DLR-TM;  
26.285DL-TM) (4x2 & 4x4 & 6x2/4 & 6x4)  
08.95-

AV/F 410x163

19713

1971301

RIV818

W0205MA

MAN

AR/R 410x183

19495

1949500764  
1949502

RIV818

W0205MA MAC9495CAST 1949578\*

Automotive



# APPLICATION PAR VEHICULES APPLICATION BY VEHICLES



## MAN ..J..

M2000M (14.224MAK; 14.224MAK-L; 14.224MA-KO;  
14.224MA-LF; 14.224MARK; 14.224MC; 14.224MK; 14.224MLC;  
14.224MLLC; 14.224MLLRC; 14.224MLRC; 14.224MLRS;

14.224MLS; 14.224MRC; 14.225MAK; 14.225MAK-L;  
14.225MARK; 14.255MA-KO; 14.255MA-LF; 14.255MC;  
14.255MLC; 14.255MLLC; 14.255MLLRC; 14.255MLRC;  
14.255MRC; 14.264MA-KO; 14.264MA-LF; 14.264MC;  
14.264MLC; 14.264MLLC; 14.264MLLRC; 14.264MLRC;  
14.264MLRS; 14.264MLS; 14.264MRC; 14.284MAK; 14.284MAK-

AV/F 360x143

17017

1701703

RIV815

MAC7017

1701780

L; 14.284MA-KO; 14.284MA-LF; 14.284MARK; 14.284MC;  
14.284MLC; 14.284MLLC; 14.284MLLRC; 14.284MLRC;  
14.284MLRS; 14.284MLS; 14.284MRC; 14.285MAK; 14.285MAK-  
L; 14.285MA-KO; 14.285MA-LF; 14.285MARK; 14.285MC;  
14.285MLC; 14.285MLLC; 14.285MLLRC; 14.285MLRC;  
14.285MRC; 18.285MC; 18.285MLC; 18.285MLLC;

AR/R 360x163

19177

1917705

RIV815

MAC9177

1917780

18.285MLLRC; 18.285MLRC; 18.285MRC) (4x2 & 4x4)

## 08.95-

M2000M (18.224MAC; 18.224MAK; 18.224MAK-L;  
18.224MARC; 18.224MARK; 18.224MC; 18.224MK; 18.224MK-  
L; 18.224M-KO; 18.224MLC; 18.224MLK; 18.224MLLC;  
18.224MLLRC; 18.224MLRC; 18.224MLRK; 18.224MLRS;

AV/F 410x163 MAN

19713

1971301

RIV818

W0205MA

18.225MAK; 18.225MAK-L; 18.225MARK; 18.225MK;  
18.225MK-L; 18.225M-KO; 18.225MLK; 18.225MLRK; 18.225MLRS;  
18.225MLS; 18.225MRK; 18.225MR-KO; 18.225MAC;  
18.255MAK; 18.255MAK-L; 18.255MARC; 18.255MARK;  
18.255MC; 18.255MK; 18.255MK-L; 18.255M-KO; 18.255MLC;  
18.255MLK; 18.255MLLC; 18.255MLLRC; 18.255MLRC;

AR/R 410x183 MAN

19495

1949500764  
1949502

RIV818

W0205MA MAC9495CAST 1949578\*

18.255MLRK; 18.255MLRS; 18.255MLS; 18.255MRC;  
18.255MRK; 18.255MR-KO; 18.264MAC; 18.264MAK;  
18.264MAK-L; 18.264MARC; 18.264MARK; 18.264MC;  
18.264MK; 18.264MK-L; 18.264M-KO; 18.264MLK; 18.264MLC;  
18.264MLLC; 18.264MLLRC; 18.264MLRC; 18.264MLRK;  
18.264MLRS; 18.264MLS; 18.264MRC; 18.264MRK; 18.264MR-  
KO; 18.284MAC; 18.284MAK; 18.284MAK-L; 18.284MARC;

18.284MARK; 18.284MC; 18.284MK; 18.284MK-L; 18.284M-KO;  
18.284MLC; 18.284MLK; 18.284MLLC; 18.284MLLRC;  
18.284MLRC; 18.284MLRK; 18.284MLRS; 18.284MLS;  
18.284MRC; 18.284MRK; 18.284MR-KO; 18.285MAK;

18.285MAK-L; 18.285MARK; 18.285MK; 18.285MK-L; 18.285M-  
KO; 18.285MLK; 18.285MLRK; 18.285MMR-KO; 18.285MRK;  
25.224MNLC; 25.224MNLLC; 25.224MNLLRC; 25.224MNLRC;  
25.224MVLC; 25.255MNLC; 25.255MNLLC; 25.255MNLLRC;  
25.255MNLRC; 25.255MVLC; 25.264MNLC; 25.264MNLLC;  
25.264MNLLRC; 25.264MNLRC; 25.264MVLC; 25.284MNLC;

AR/R 410x223

MAN  
(OPTION)

19496

1949600764  
1949602

RIV818

W0205MA MAC9496CAST 1949678\*

TF2048  
TF2048KMG

25.284MNLLC; 25.284MNLRC; 25.284MNLRC; 25.284MVLC)

(4x2 & 4x4 & 6x2/2/4) 08.95-

# APPLICATION PAR VEHICULES APPLICATION BY VEHICLES



**MAN ..J..**

M90 (12.152F; 12.152FK; 12.152FL; 12.152FLS; 12.152FS; 12.192F; 12.192FA; 12.192FAK; 12.192FK; 12.192FL; 12.192FLS; 12.192FS; 12.222F; 12.222FA; 12.222FAK; 12.222FK; 12.222FL; 12.222FLS; 12.232F; 12.232FA; 12.232FAK; 12.232FK; 12.232FL; 12.232FLS; 12.232FS; 12.262F; 12.262FK; 12.262FL; 12.262FLS; 12.262FS; 12.272F; 12.272FA; 12.272FAK; 12.272FK; 12.272FL; 12.272FLS; 12.272FS; 14.152F; 14.152FK; 14.152FL; 14.152FLS; 14.152FS; 14.162F; 14.162FK; 14.162FL; 14.162FLS; 14.162FS; 14.192F; 14.192FA; 14.192FK; 14.192FL; 14.192FLS; 14.192FS; 14.222F; 14.222FK; 14.222FL; 14.222FLS; 14.232F; 14.232FK; 14.232FL; 14.232FLS; 14.232FS; 14.262F; 14.262FK; 14.262FL; 14.262FLS; 14.262FS; 14.272F; 14.272FK; 14.272FL; 14.272FLS; 14.272FS) (4x2 & 4x4) 08.88-06.96	AV/F	360x143	17017	1701703	RIV815	MAC7017	1701780	
			MERITOR WEDGE BRAKE					
	AR/R	360x163	19177	1917705	RIV815	MAC9177	1917780	TM
M90 (17.192F; 17.192FA; 17.192FAK; 17.192FK; 17.192FL; 17.192FLS; 17.192FS; 17.222FA; 17.222FAK; 17.232F; 17.232FA; 17.232FAK; 17.232FK; 17.232FL; 17.232FLS; 17.232FS; 17.272FLS) (4x2 & 4x4) 08.88-06.96	AV/F	410x163 MAN	19713	1971301	RIV818	W0205MA		
	AR/R	410x223 MAN	19496	1949600764 1949602	RIV818	W0205MA MAC9496CAST	1949678*	TF2048 TF2048KMG
M90 (18.192F; 18.192FK; 18.192FL; 18.192FLL; 18.222F; 18.222FK; 18.222FL; 18.222FLL; 18.232F; 18.232FK; 18.232FL; 18.232FLL; 18.262F; 18.262FK; 18.262FL; 18.262FLL; 18.272F; 18.272FK; 18.272FL; 18.272FLL) (4x2) 08.88-06.96	AV/F	410x163 MAN	19713	1971301	RIV818	W0205MA		
	AR/R	410x183 MAN	19495	1949500764 1949502	RIV818	W0205MA MAC9495CAST	1949578*	
M90 (24.192FNL; 24.192FNLL; 24.192FVL; 24.222FNL; 24.222FNLL; 24.222FVL; 24.232FNL; 24.232FNLL; 24.232FVL; 24.272FNL; 24.272FNLL; 24.272FVL) (6x2 & 6x2/2/4) 08.88-06.96	AV/F	410x163 MAN	19713	1971301	RIV818	W0205MA		
	AR/R2	410x143 MAN	17238	1723802	RIV815	W0205MA		
	AR/R	410x183 MAN	19495	1949500764 1949502	RIV818	W0205MA MAC9495CAST	1949578*	
M90 (24.262FNL; 24.262 FNLL; 24.262 FVL) (6x2) 08.88-06.96	AV/F	410x183 MAN	19495	1949500764 1949502	RIV818	W0205MA MAC9495CAST	1949578*	TF2051 TF2051KMG (TOP VENTE)
	AR/R2	410x143 MAN	17238	1723802	RIV815	W0205MA		
	AR/R	410x223 MAN	19496	1949600764 1949602	RIV818	W0205MA MAC9496CAST	1949678*	TF2048 TF2048KMG

# APPLICATION PAR VEHICULES APPLICATION BY VEHICLES



## MAN ..J..

NG (NG262; NG262; NG272; NG312) (6x2) 09.95-07.98	AV/F 410x163	MAN	19579/19706	<b>1970601</b>	<b>RIV818</b>	<b>W0205MA</b>		
	AR/R 410x222		19581/19707	<b>1970701</b>	<b>RIV818</b>	<b>W0205MA</b>		
NL (NL202; NL 243; NL262; NL263; NL273) (4x2) 09.89-12.14	AV/F 410x163	MAN	19579/19706	<b>1970601</b>	<b>RIV818</b>	<b>W0205MA</b>		
	AR/R 410x222		19581/19707	<b>1970701</b>	<b>RIV818</b>	<b>W0205MA</b>		
NM (NM152; NM182; NM192; NM222; NM223; NM243; NM253; NM283; NM293) (4x2) 08.87-	AV/F 360x143	MERITOR WEDGE	17017	<b>1701703</b>	<b>RIV815</b>		<b>MAC7017</b>	<b>1701780</b>
	AR/R 360x163	BRAKE	19177	<b>1917705</b>	<b>RIV815</b>		<b>MAC9177</b>	<b>1917780</b>
R bus (FRH362; R292; FR292; FRH292) (4x2) -04.85	AV/F 410x163	MAN	19713	<b>1971301</b>	<b>RIV818</b>	<b>W0205MA</b>		
	AR/R 410x223		19496	<b>1949600764</b> <b>1949602</b>	<b>RIV818</b>	<b>W0205MA</b>	<b>MAC9496CAST</b>	<b>1949678*</b> <b>TF2048</b> <b>TF2048KMG</b>
R bus (FRH362; R292; FR292; FRH292) (4x2) 05.85-01/.93	AV/F 410x163	MAN	19579/19706	<b>1970601</b>	<b>RIV818</b>	<b>W0205MA</b>		
	AR/R 410x222		19581/19707	<b>1970701</b>	<b>RIV818</b>	<b>W0205MA</b>		
TGA (18.310FAC; 18.310FAK; 18.310FAK-L; 18.310FALK; 18.310FALK-L; 18.310FALS; 18.310FARC; 18.310FARS; 18.310FAS; 18.310FHLC; 18.310FHLC; 18.310FHLS; 18.320FAC; 18.320FAK; 18.320FAK-L; 18.320FALK; 18.320FALK-L; 18.320FALS; 18.320FARC; 18.320FARS; 18.320FAS; 18.320FHLC; 18.320FHLC; 18.320FHLS; 18.350FAC; 18.350FAK; 18.350FAK-L; 18.350FALK; 18.350FALK-L; 18.350FALS; 18.350FARC; 18.350FARS; 18.350FAS; 18.350FHLC; 18.350FHLC; 18.350FHLS; 18.360FAC; 18.360FAK; 18.360FAK-L; 18.360FALK-L; 18.360FALK; 18.360FALK-L; 18.360FALS; 18.360FARC; 18.360FARS; 18.360FAS; 18.360FHLC; 18.360FHLC; 18.360FHLC/M; 18.360FHLS; 18.390FAC; 18.390FAK; 18.390FAK-L; 18.390FALK; 18.390FALK-L; 18.390FALS; 18.390FARC; 18.390FAS; 18.390FHLC; 18.390FHLC; 18.390FHLC/M; 18.390FHLS; 18.400FAC; 18.400FAK; 18.400FAK-L; 18.400FALK; 18.400FALK-L; 18.400FALS; 18.400FARC; 18.400FAS; 18.400FFHLS; 18.400FHLC; 18.400FHLC; 18.400FHLC/M; 18.410FAC; 18.410FAK; 18.410FAK-L; 18.410FALK-L; 18.410FALS; 18.410FARC; 18.410FARS; 18.410FAS; 18.410FFALK; 18.420FAK; 18.420FAK-L; 18.420FALK; 18.420FALK-L; 18.430FAC; 18.430FAK; 18.430FALK; 18.430FALK-L; 18.430FALS; 18.430FARC; 18.430FAS; 18.430FHLC; 18.430FHLC; 18.430FHLC/M; 18.430FHLS; 18.440FAC; 18.440FAK; 18.440FALK; 18.440FALK-L; 18.440FALS; 18.440FARC; 18.440FAS; 18.440FHLC; 18.440FHLC; 18.440FHLC/M; 18.440FHLS; 18.460FAK; 18.480FAC; 18.480FAK; 18.480FAK- L; 18.480FALK; 18.480FALK-L; 18.480FALS; 18.480FARC; 18.480FARS; 18.480FAS; 18.480FFHLC/M; 18.480FHLC; 18.480FHLC; 18.480FHLS; 18.480FHLS/M; 18.530FACFARC; 18.530FAK; 18.530FAK-L; 18.530FALK; 18.530FALK-L; 18.530FAS; 18.530FALS) (4x4) 04.00-	AV/F 410x183	MAN	19495	<b>1949500764</b> <b>1949502</b>	<b>RIV818</b>	<b>W0205MA</b>	<b>MAC9495CAST</b>	<b>1949578*</b> <b>TF2051</b> <b>TF2051KMG</b>
		AR/R 410x223		19496	<b>1949600764</b> <b>1949602</b>	<b>RIV818</b>	<b>W0205MA</b>	<b>MAC9496CAST</b>

\* Kit mâchoires garnies sans accessoires / Lined brake shoes kit without fitting kit

# APPLICATION PAR VEHICULES APPLICATION BY VEHICLES



MAN ..J..

TGA (18.310FC; 18.310FK; 18.310FKL; 18.310FK-L;  
18.310FLC; 18.310FLK; 18.310FLLC; 18.310FLLRC;  
18.310FLLRS; 18.310FLLRW; 18.310FLLS;  
18.310FLLW; 18.310FLRC; 18.310FLRK; 18.310FLRS;  
18.310FLS; 18.310FLS-TS; 18.310FRC; 18.320FC;  
18.320FK; 18.320FKL; 18.320FK-L; 18.320FLC;  
18.320FLK; 18.320FLLC; 18.320FLLRC; 18.320FLLRS;  
18.320FLLRW; 18.320FLLS; 18.320FLLW; 18.320FLRC;  
18.320FLRK; 18.320FLRS; 18.320FLS; 18.320FLS-TS;  
18.320FRC; 18.350FC; 18.350FK; 18.350FK-L;  
18.350FLC; 18.350FLK; 18.350FLLC; 18.350FLLRC;  
18.350FLLRS; 18.350FLLRW; 18.350FLLS;  
18.350FLLW; 18.350FLRC; 18.350FLRK; 18.350FLRS;  
18.350FLS; 18.350FLS-TS; 18.350FRC; 18.360FC;  
18.360FK; 18.360FK-L; 18.360FLC; 18.360FLK;  
18.360FLLC; 18.360FLLRC; 18.360FLLRS;  
18.360FLLRW; 18.360FLLS; 18.360FLLW; 18.360FLRC;  
18.360FLRK; 18.360FLRS; 18.360FLS; 18.360FLS-TS;  
18.360FRC; 18.380FLRC; 18.380FLRS; 18.390FC;  
18.390FK; 18.390FK-L; 18.390FLC; 18.390FLK;  
18.390FLLC; 18.390FLLRC; 18.390FLLRS;  
18.390FLLRW; 18.390FLLS; 18.390FLLW; 18.390FLRC;  
18.390FLRK; 18.390FLS; 18.390FLS-TS; 18.400FC;  
18.400FK; 18.400FK-L; 18.400FLC; 18.400FLK;  
18.400FLLC; 18.400FLLRC; 18.400FLLRS;  
18.400FLLRW; 18.400FLLS; 18.400FLLW; 18.400FLRC;  
18.400FLRK; 18.400FLRS; 18.400FLS; 18.400FLS-TS;  
18.410FC; 18.410FK; 18.410FK-L; 18.410FLC;  
18.410FLK; 18.410FLLC; 18.410FLLRC; 18.410FLLRS;  
18.410FLLRW; 18.410FLLS; 18.410FLLW; 18.410FLRC;  
18.410FLRK) (4X2) 04.00-

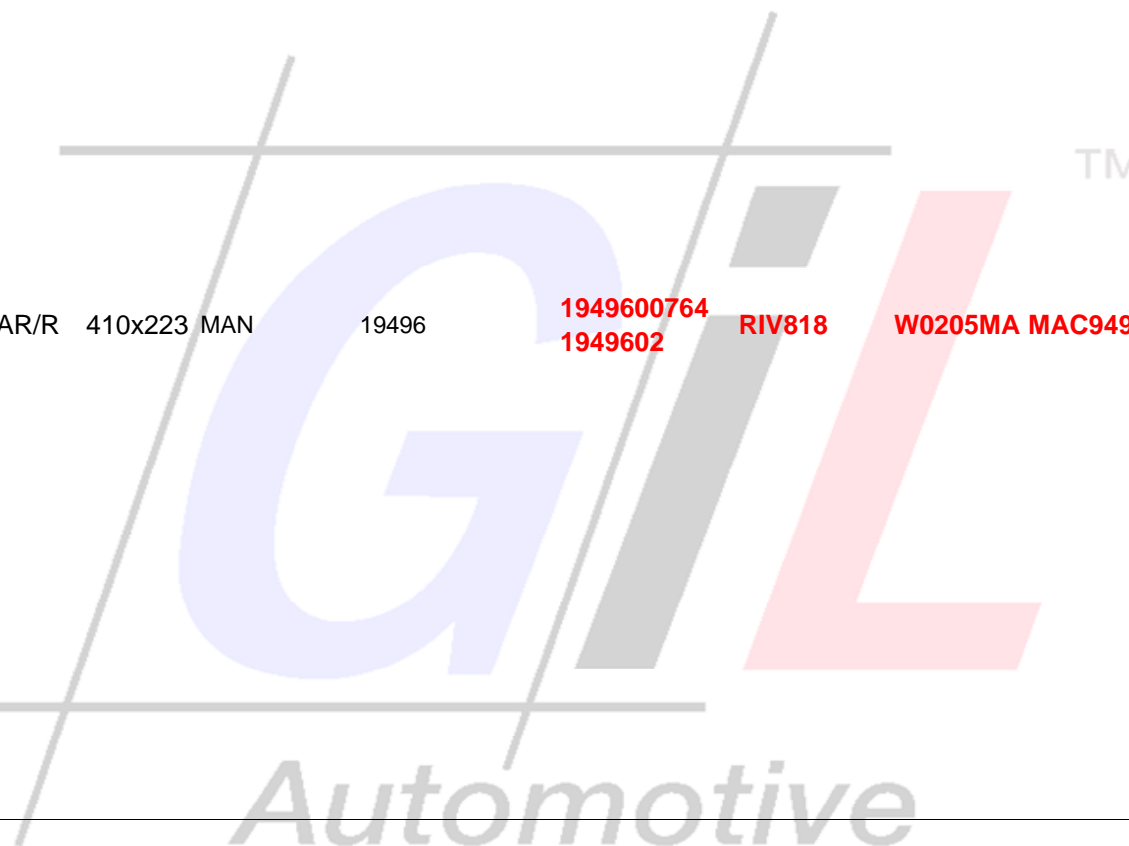
AR/R 410x223 MAN 19496

1949600764  
1949602

RIV818

W0205MA MAC9496CAST 1949678\*

TF2048  
TF2048KMG





# APPLICATION PAR VEHICULES APPLICATION BY VEHICLES



MAN ..J..

TGA (18.410FLRS; 18.410FLS; 18.410FLS-TS;  
18.410FRC; 18.420FC; 18.420FK; 18.420FK-L;  
18.420FLC; 18.420FLK; 18.420FLLC; 18.420FLLRC;  
18.420FLLRW; 18.420FLLW; 18.420FLRC; 18.420FLRK;  
18.420FLRS; 18.420FRC; 18.430FC; 18.430FK;  
18.430FK-L; 18.430FLC; 18.430FLK; 18.430FLLC;  
18.430FLLRC; 18.430FLLRS; 18.430FLLRW;  
18.430FLLS; 18.430FLLW; 18.430FLRC; 18.430FLRK;  
18.430FLRS; 18.430FLS; 18.430FLS-TS; 18.440FC;  
18.440FK; 18.440FK-L; 18.440FLC; 18.440FLK;  
18.440FLLC; 18.440FLLRC; 18.440FLLRS;  
18.440FLLRW; 18.440FLLS; 18.440FLLW; 18.440FLRC;  
18.440FLRK; 18.440FLRS; 18.440FLS; 18.440FLS-TS;  
18.460FC; 18.460FK; 18.460FK-L; 18.460FLC;  
18.460FLK; 18.460FLLC; 18.460FLLRC; 18.460FLLRS;  
18.460FLLRW; 18.460FLLS; 18.460FLLW; 18.460FLRC;  
18.460FLRK; 18.460FLRS; 18.460FLS; 18.460FLS-TS;  
18.460FRC; 18.480FC; 18.480FK; 18.480FK-L;  
18.480FLC; 18.480FLK; 18.480FLLC; 18.480FLLRC;  
18.480FLLRS; 18.480FLLRW; 18.480FLLS;  
18.480FLLW; 18.480FLRC; 18.480FLRK; 18.480FLRS;  
18.480FLS; 18.480FLS-TS; 18.510FC; 18.510FLC;  
18.510FLLC; 18.510FLLRC; 18.510FLLRS;  
18.510FLLRW; 18.510FLLS; 18.510FLLW; 18.510FLRC;  
18.510FLRS; 18.510FLS; 18.510FRC; 18.530FC;  
18.530FLC; 18.530FLLC; 18.530FLLRC; 18.530FLLRS;  
18.530FLLRW; 18.530FLLS; 18.530FLLW; 18.530FLRC;  
18.530FLRS; 18.530FLS; 18.540FLC; 18.540FLLC;  
18.540FLLRC; 18.540FLLRS; 18.540FLLS; 18.540FLLW;  
18.540FLRC; 18.540FLRS; 18.540FLS) (4X2) 04.00-

AR/R 410x223 MAN 19496

1949600764  
1949602

RIV818

W0205MA MAC9496CAST 1949678\*

TF2048  
TF2048KMG

TM

Automotive

# APPLICATION PAR VEHICULES APPLICATION BY VEHICLES



## MAN ..J..

TGA (19.350FLRS; 19.350FLS; 19.350FRS; 19.350FS;  
19.360FLRS; 19.360FLS; 19.360FRS; 19.360FS;  
19.390FLRS; 19.390FLS; 19.390FRS; 19.390FS;  
19.400FLRS; 19.400FLS; 19.400FRS; 19.400FS;  
19.410FRS; 19.410FS; 19.430FLRS; 19.430FLS;  
19.430FRS; 19.430FS; 19.440FLRS; 19.440FLS;  
19.440FRS; 19.440FS; 19.460FRS; 19.460FS;  
19.480FLRS; 19.480FLS; 19.480FRS; 19.480FRS/M-  
WW; 19.480FS; 19.480FS/M) (4X2) 04.00-

AR/R 410x223 MAN

19496

**1949600764**  
**1949602**

**RIV818**

**W0205MA MAC9496CAST 1949678\***

**TF2048**  
**TF2048KMG**

TGA (24.350FLLRW; 24.350FNLLC; 24.350FNLLRC;  
24.350FNLLRW; 24.350FNLLW; 24.350FPLRS;  
24.350FPLS; 24.360FLLRW; 24.360FNLLC;  
24.360FNLLC/N; 24.360FNLLRC; 24.360FNLLRW;  
24.360FNLLW; 24.360FPLRS; 24.360FPLS;  
24.380FPLRS; 24.380FPLS; 24.390FLLRW;  
24.390FNLLC; 24.390FNLLRC; 24.390FNLLW;  
24.390FPLRS; 24.390FPLS; 24.400FLLRW;  
24.400FNLLC; 24.400FNLLRC; 24.400FNLLW;  
24.400FPLRS; 24.400FPLS; 24.410FNLLC;  
24.410FNLLRC; 24.410FNLLRW; 24.410FNLLW;  
24.420FPLRS; 24.420FPLS; 24.430FNLLC;  
24.430FNLLRC; 24.430FNLLRW; 24.430FNLLW;  
24.430FNLLC; 24.430FPLRS; 24.430FPLS;  
24.440FNLLC; 24.440FNLLRC; 24.440FNLLRW;  
24.440FNLLW; 24.440FNLLC; 24.440FPLRS;  
24.440FPLS; 24.460FNLLC; 24.460FNLLRC;  
24.460FNLLRW; 24.460FNLLW; 24.480FNLLC;  
24.480FNLLRC; 24.480FNLLRW; 24.480FNLLW;  
24.480FPLRS; 24.480FPLS; 24.510FNLLC/N;  
24.510FNLLRW; 24.510FNLLW; 24.530FNLLC;  
24.530FNLLRC; 24.530FNLLRW; 24.530FNLLW;  
24.530FPLRS; 24.530FPLS; 24.540FNLLC;  
24.540FNLLW) (6x2) 04.00-

AR/R 410x223 MAN

19496

**1949600764**  
**1949602**

**RIV818**

**W0205MA MAC9496CAST 1949678\***

**TF2048**  
**TF2048KMG**

**GIL**  
Automotive

TM

# APPLICATION PAR VEHICULES APPLICATION BY VEHICLES



## MAN ..J..

TGA (26.310FNHLC; 26.310FNHLS;  
26.310FNLC; 26.310FNLLC; 26.310FNLLRC;  
26.310FNLLRS; 26.310FNLLRW;  
26.310FNLLS; 26.310FNLLW;  
26.310FNLRC; 26.310FNLRS; 26.310FNLS;  
26.310FPLRS; 26.310FPLS; 26.310FVHLC;  
26.310FVHL-KO; 26.310FVLC; 26.310FVL-  
KO; 26.310FVLS; 26.310FVLS;  
26.320FDAK; 26.320FDC; 26.320FDHK;  
26.320FDK; 26.320FDLC; 26.320FDLK;  
26.320FDLRC; 26.320FDLRK;  
26.320FDLRS; 26.320FDLS; 26.320FDRC;  
26.320FDRK; 26.320FDRS; 26.320FDRTM;  
26.320FDS; 26.320FD-TM; 26.320FNHLC;  
26.320FNHLS; 26.320FNLC; 26.320FNLLC;  
26.320FNLLRC; 26.320FNLLRS;  
26.320FNLLRW; 26.320FNLLS;  
26.320FNLLW; 26.320FNLRC;  
26.320FNLRS; 26.320FNLS; 26.320FPLRS;  
26.320FPLS; 26.320FVHLC; 26.320FVHL-  
KO; 26.320FVLC; 26.320FVL-KO;  
26.330FNLC; 26.330FNLLC; 26.330FNLLW)  
(6x2 & 6x4 & 6x2/4 & 6x2/2/4) 04.00-

AR/R 410x223 MAN

19496

1949600764  
1949602

RIV818

W0205MA MAC9496CAST 1949678\*

TM  
TF2048  
TF2048KMG

*Automotive*

# APPLICATION PAR VEHICULES APPLICATION BY VEHICLES



**MAN ..J..**

TGA (26.280FNLC; 26.280FNLLC;  
26.280FNLLW; 26.310FDAK; 26.310FDC;  
26.310FDHK; 26.310FDK; 26.310FDLC;  
26.310FDLK; 26.310FDLRC; 26.310FDLRK;  
26.310FDLRS; 26.310FDLS; 26.310FDRC;  
26.310FDRK; 26.310FDRS; 26.310FDRTM;  
26.310FDR-TM; 26.310FDS; 26.310FD-TM;  
26.310FNHLC; 26.310FNHLS; 26.310FNLC;  
26.310FNLLC; 26.310FNLLRC; 26.310FNLLRS;  
26.310FNLLRW; 26.310FNLLS; 26.310FNLLW;  
26.310FNLRC; 26.310FNLRS; 26.310FNLS;  
26.310FPLRS; 26.310FPLS; 26.310FVHLC;  
26.310FVHL-KO; 26.310FVLC; 26.310FVL-KO;  
26.310FVLR; 26.310FVLS; 26.320FDAK;  
26.320FDC; 26.320FDHK; 26.320FDK;  
26.320FDLC; 26.320FDLK; 26.320FDLRC;  
26.320FDLRK; 26.320FDLRS; 26.320FDLS;  
26.320FDRC; 26.320FDRK; 26.320FDRS;  
26.320FDRTM; 26.320FDS; 26.320FD-TM;  
26.320FNHLC; 26.320FNHLS; 26.320FNLC;  
26.320FNLLC; 26.320FNLLRC; 26.320FNLLRS;  
26.320FNLLRW; 26.320FNLLS; 26.320FNLLW;  
26.320FNLRC; 26.320FNLRS; 26.320FNLS;  
26.320FPLRS; 26.320FPLS; 26.320FVHLC;  
26.320FVHL-KO; 26.320FVLC; 26.320FVL-KO;  
26.330FNLC; 26.330FNLLC; 26.330FNLLW;  
26.350FDC; 26.350FDK; 26.350FDLC;  
26.350FDLK; 26.350FDLRC; 26.350FDLRC-WW;  
26.350FDLRK; 26.350FDLRS; 26.350FDLRS/M;  
26.350FDLRS-WW; 26.350FDLS; 26.350FDRC;  
26.350FDRK) (6x2 & 6x4 & 6x2/4 &  
6x2/2/4) 04.00-

AR/R 410x223 MAN

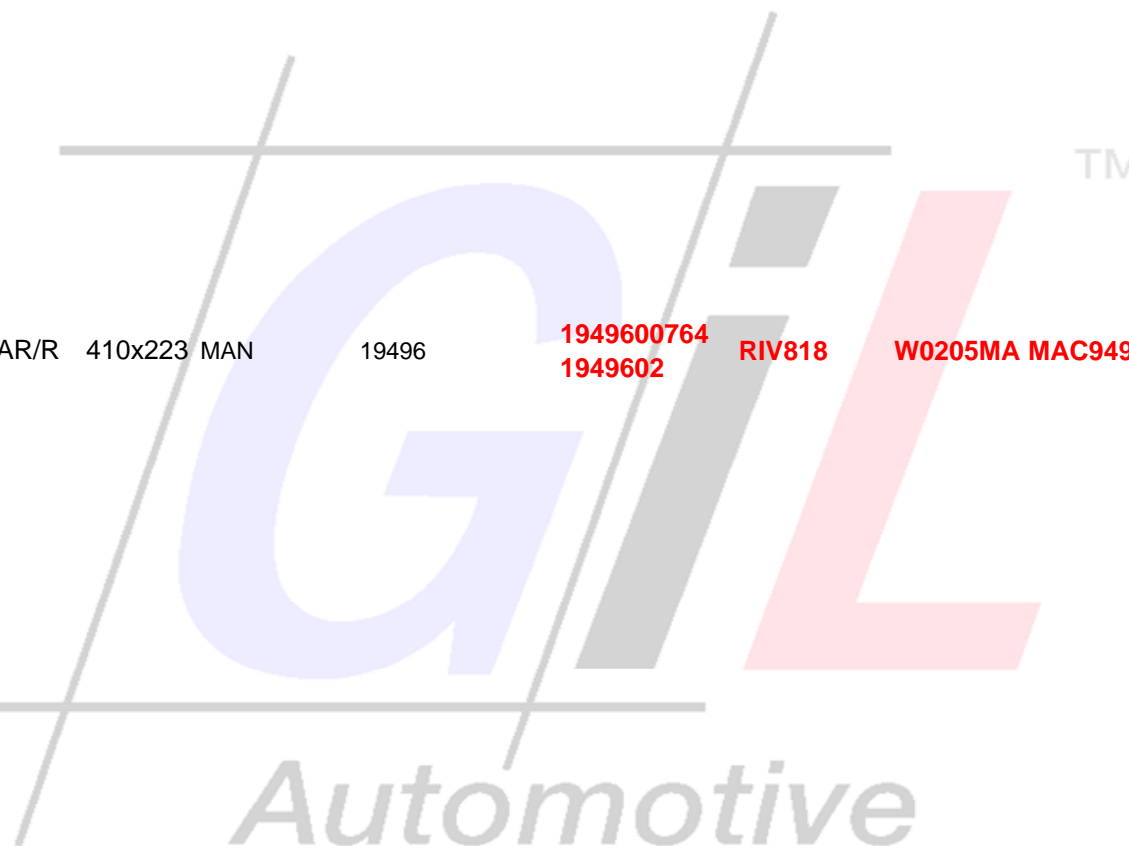
19496

1949600764  
1949602

RIV818

W0205MA MAC9496CAST 1949678\*

TF2048  
TF2048KMG





# APPLICATION PAR VEHICULES APPLICATION BY VEHICLES



## MAN ..../.

TGA (26.350FDRS; 26.350FDRTM;  
26.350FDS; 26.350FD-TM; 26.350FNHLC;  
26.350FNHLS; 26.350FNLC; 26.350FNLLC;  
26.350FNLLRC; 26.350FNLLRS;  
26.350FNLLRW; 26.350FNLLS;  
26.350FNLLW; 26.350FNLRC;  
26.350FNLRS; 26.350FNLS; 26.350FPHLS;  
26.350FPLRS; 26.350FPLS; 26.350FVHLC;  
26.350FVHL-KO; 26.350FVHLS;  
26.350FVLC; 26.350FVL-KO; 26.350FVLRS;  
26.350FVLS; 26.360FDC; 26.360FDK;  
26.360FDLC; 26.360FDLC-WW;  
26.360FDLK; 26.360FDLRC; 26.360FDLRK;  
26.360FDLRS; 26.360FDLRS/M;  
26.360FDLRSWW; 26.360FDLRS-WW;  
26.360FDLS; 26.360FDLS/M; 26.360FDRC;  
26.360FDRK; 26.360FDRS; 26.360FDRTM;  
26.360FDR-TM; 26.360FDS; 26.360FD-TM;  
26.360FNHLC; 26.360FNHLS; 26.360FNLC;  
26.360FNLLC; 26.360FNLLRC;  
26.360FNLLRS; 26.360FNLLRW;  
26.360FNLLS; 26.360FNLLW;  
26.360FNLRC; 26.360FNLRS; 26.360FNLS;  
26.360FPHLS; 26.360FPLRS; 26.360FPLS;  
26.360FVHLC; 26.360FVHL-KO;  
26.360FVHLS; 26.360FVLC; 26.360FVL-KO;  
26.360FVLRS; 26.360FVLS) (6x2 & 6x4 &  
6x2/4 & 6x2/2/4) 04.00-

AR/R 410x223 MAN

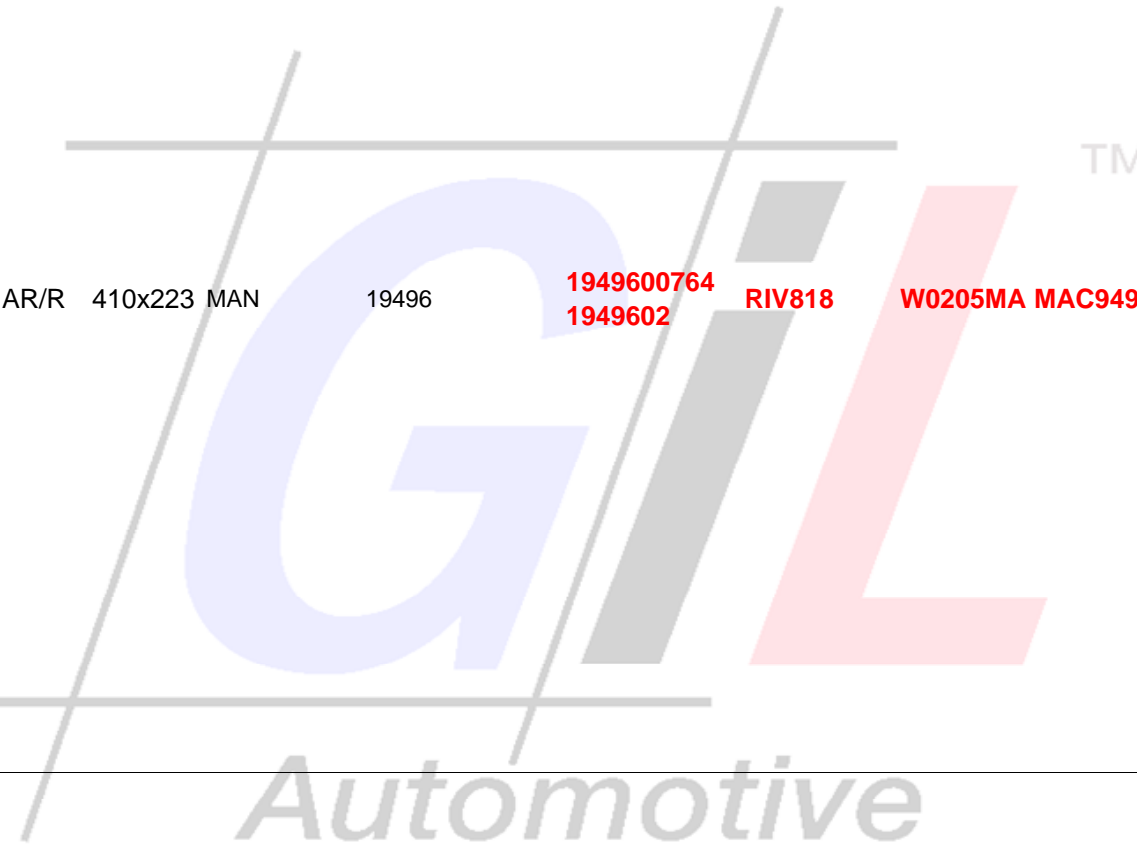
19496

1949600764  
1949602

RIV818

W0205MA MAC9496CAST 1949678\*

TF2048  
TF2048KMG



# APPLICATION PAR VEHICULES APPLICATION BY VEHICLES



MAN ..J..

TGA (26.310FDAC; 26.310FDAK; 26.310FDARC; 26.310FDARS; 26.310FDAS; 26.310FDH; 26.310FDHC; 26.310FDHC/M; 26.310FDHK; 26.310FDHS; 26.310FDH- TM; 26.320FDAC; 26.320FDAK; 26.320FDAS; 26.320FDH; 26.320FDHC; 26.320FDHC/M; 26.320FDHK; 26.320FDHS; 26.320FDH-TM; 26.350FDAC; 26.350FDAK; 26.350FDALK; 26.350FDAS; 26.350FDHC; 26.350FDHC/M; 26.350FDHK; 26.350FDHLK; 26.350FDHS; 26.350FDH-TM; 26.350FDARS; 26.350FDHLS; 26.360FDAC; 26.360FDAK; 26.360FDALK; 26.360FDARC; 26.360FDARS; 26.360FDAS; 26.360FDHC; 26.360FDHK; 26.360FDHLC; 26.360FDHLK; 26.360FDHLS; 26.360FDHS; 26.360FDARK; 26.390DHLK; 26.390FDAC; 26.390FDAK; 26.390FDALC; 26.390FDALK; 26.390FDALS; 26.390FDAS; 26.390FDHC; 26.390FDHC/M; 26.390FDHK; 26.390FDHLK; 26.390FDHLS; 26.390FDHS; 26.390FDH-TM) (6x6) 04.00-	AV/F	410x183	19495	1949500764 1949502	RIV818	W0205MA MAC9495CAST	1949578*	TF2051 TF2051KMG
AR/R2	410x143 MAN	17238	1723802	RIV815	W0205MA			
AR/R	410x223	19496	1949600764 1949602	RIV818	W0205MA MAC9496CAST	1949678*	TF2048 TF2048KMG	
TGA (26.400FDAC; 26.400FDAK; 26.400FDALC; 26.400FDALK; 26.400FDALS; 26.400FDAS; 26.400FDHC; 26.400FDHC/M; 26.400FDHK; 26.400FDHLC; 26.400FDHLK; 26.400FDHLS; 26.400FDHS; 26.400FDH-TM; 26.400FFDHLS; 26.410FDAC; 26.410FDALS; 26.410FDARC; 26.410FDARS; 26.410FFDAS; 26.430FDAC; 26.430FDAK; 26.430FDALC; 26.430FDALK; 26.430FDALS; 26.430FDAS; 26.430FDHC; 26.430FDHC/M; 26.430FDHK; 26.430FDHLC; 26.430FDHLS; 26.430FDHS; 26.430FDH-TM; 26.430FDHLK) (6x6) 04.00-	AV/F	410x183	19495	1949500764 1949502	RIV818	W0205MA MAC9495CAST	1949578*	TF2051 TF2051KMG
AR/R2	410x143 MAN	17238	1723802	RIV815	W0205MA			
AR/R	410x223	19496	1949600764 1949602	RIV818	W0205MA MAC9496CAST	1949678*	TF2048 TF2048KMG	

# APPLICATION PAR VEHICULES APPLICATION BY VEHICLES



## MAN ..J..

TGA (26.440FDHLC; 26.440FDAC; 26.440FDAK; 26.440FDALC; 26.440FDALK; 26.440FDALS; 26.440FDAS; 26.440FDHC; 26.440FDHC/M; 26.440FDHK; 26.440FDHLK; 26.440FDHLS; 26.440FDHS; 26.440FDH-TM; 26.480FDAC; 26.480FDAK; 26.480FDALC; 26.480FDALK; 26.480FDALS; 26.480FDARC; 26.480FDARS; 26.480FDAS; 26.480FDHC; 26.480FDHK; 26.480FDHLC; 26.480FDHLK; 26.480FDHLS; 26.480FDHS; 26.480FDHC; 26.480FDHC/M; 26.480 FDHLC; 26.480FDH-TM; 26.530FDAC; 26.530FDALC; 26.530FDAK; 26.530FDALK; 26.530FDAS; 26.530FDALS) (6x6) 04.00-	AV/F	410x183	19495	<b>1949500764</b> <b>1949502</b>	<b>RIV818</b>	<b>W0205MA MAC9495CAST</b>	<b>1949578*</b>	<b>TF2051</b> <b>TF2051KMG</b>
	AR/R2	410x143 MAN	17238	<b>1723802</b>	<b>RIV815</b>	<b>W0205MA</b>		
	AR/R	410x223	19496	<b>1949600764</b> <b>1949602</b>	<b>RIV818</b>	<b>W0205MA MAC9496CAST</b>	<b>1949678*</b>	<b>TF2048</b> <b>TF2048KMG</b>

TGA (26.380FNLLRC; 26.380FNLRC; 26.380FPLRS; 26.380FPLS; 26.390FDC; 26.390FDK; 26.390FDLC; 26.390FDLK; 26.390FDLRC; 26.390FDLRS; 26.390FDLS; 26.390FDRC; 26.390FDRS; 26.390FDS; 26.390FD-TM; 26.390FNHLC; 26.390FNHLS; 26.390FNLC; 26.390FNLLC; 26.390FNLLRC; 26.390FNLLRS; 26.390FNLLRW; 26.390FNLLS; 26.390FNLLW; 26.390FNLRC; 26.390FNLRS; 26.390FNLS; 26.390FPHLS; 26.390FPLRS; 26.390FPLS; 26.390FVHLC; 26.390FVHL-KO; 26.390FVHLS; 26.390FVLC; 26.390FVL-KO; 26.400FDLC; 26.400FDLK; 26.400FDLRC; 26.400FDLRS; 26.400FDLS; 26.400FDRC; 26.400FDRS; 26.400FDS; 26.400FD-TM; 26.400FNHLC; 26.400FNHLS; 26.400FNLC; 26.400FNLLC; 26.400FNLLRC; 26.400FNLLRS; 26.400FNLLRW; 26.400FNLLS; 26.400FNLLW; 26.400FNLRC; 26.400FNLRS; 26.400FNLS; 26.400FPHLS; 26.400FPLRS; 26.400FPLS; 26.400FVHLC; 26.400FVHL- KO; 26.400FVHLS; 26.400FVLC; 26.400FVL-KO; 26.400FVLRS; 26.400FVLS) (6x2 & 6x4 & 6x2/4 & 6x2/2/4) 04.00-	AR/R	410x223 MAN	19496	<b>1949600764</b> <b>1949602</b>	<b>RIV818</b>	<b>W0205MA MAC9496CAST</b>	<b>1949678*</b>	<b>TF2048</b> <b>TF2048KMG</b>
--	------	-------------	-------	-------------------------------------	---------------	----------------------------	-----------------	-----------------------------------

Automotive

# APPLICATION PAR VEHICULES APPLICATION BY VEHICLES



MAN ..J..

TGA (26.410FDAK; 26.410FDALK; 26.410FDC;  
26.410FDK; 26.410FDLC; 26.410FDLK;  
26.410FDLRC; 26.410FDLRK; 26.410FDLRS;  
26.410FDLS; 26.410FDRC; 26.410FDRK;  
26.410FDRS; 26.410FDR-TM; 26.410FDS;  
26.410FD-TM; 26.410FNLC; 26.410FNLLC;  
26.410FNLLRC; 26.410FNLLRW; 26.410FNLLS;  
26.410FNLLW; 26.410FNLRC; 26.410FNLRS;  
26.410FNLS; 26.410FPLRS; 26.410FPLS;  
26.410FVLC; 26.410FVL-KO; 26.410FVLRS;  
26.410FVLS; 26.420FNLLRC; 26.420FNLRC;  
26.420FPLRS; 26.420FPLS; 26.430FDC;  
26.430FDK; 26.430FDLC; 26.430FDLK;  
26.430FDLRC; 26.430FDLRS; 26.430FDLRS-WW;  
26.430FDLS; 26.430FDLS/M; 26.430FDRC;  
26.430FDRS; 26.430FDRTM; 26.430FDS;  
26.430FD-TM; 26.430FNHLC; 26.430FNHLS;  
26.430FNLC; 26.430FNLLC; 26.430FNLLRC;  
26.430FNLLRS; 26.430FNLLS; 26.430FNLLW;  
26.430FNLRC; 26.430FNLRS; 26.430FNLS;  
26.430FPHLS; 26.430FPLRS; 26.430FPLS;  
26.430FVHLC; 26.430FVHLS; 26.430FVLC;  
26.430FVLH-KO; 26.430FVL-KO; 26.430FVLRS;  
26.430FVLS; 26.440FDC; 26.440FDK;  
26.440FDLC; 26.440FDLK; 26.440FDLRC;  
26.440FDLRS; 26.440FDLS; 26.440FDRC;  
26.440FDRS; 26.440FDRTM; 26.440FDS;  
26.440FD-TM; 26.440FNHLC; 26.440FNHLS;  
26.440FNLC; 26.440FNLLC; 26.440FNLLRC;  
26.440FNLLRS; 26.440FNLLS; 26.440FNLLW;  
26.440FNLRC) (6x2 & 6x4 & 6x2/4 & 6x2/2/4)  
04.00-

AR/R 410x223 MAN

19496

1949600764  
1949602

RIV818

W0205MA MAC9496CAST 1949678\*

TF2048  
TF2048KMG

Automotive



# APPLICATION PAR VEHICULES APPLICATION BY VEHICLES



## MAN ..J..

TGA (26.440FNLS; 26.440FNLS;  
26.440FPHLS; 26.440FPLRS; 26.440FPLS;  
26.440FVHLC; 26.440FVHLS; 26.440FVLC;  
26.440FVLH-KO; 26.440FVL-KO;  
26.440FVLS; 26.440FVLS; 26.460FDC;  
26.460FDK; 26.460FDLC; 26.460FDLK;  
26.460FDLRC; 26.460FDLRK;  
26.460FDLRS; 26.460FDLS; 26.460FDRC;  
26.460FDRK; 26.460FDRS; 26.460FDR-TM;  
26.460FDS; 26.460FD-TM; 26.460FNLC;  
26.460FNLLC; 26.460FNLLRC;  
26.460FNLLRW; 26.460FNLLS;  
26.460FNLLW; 26.460FNLRC;  
26.460FNLS; 26.460FNLS; 26.460FPLRS;  
26.460FPLS; 26.460FVLC; 26.460FVL-KO;  
26.460FVLS; 26.460FVLS; 26.480FDC;  
26.480FDK; 26.480FDLC; 26.480FDLK;  
26.480FDLRC; 26.480FDLRK;  
26.480FDLRS; 26.480FDLS; 26.480FDRC;  
26.480FDRS; 26.480FDS; 26.480FD-TM;  
26.480FNHLC; 26.480FNHLS; 26.480FNLC;  
26.480FNLLC; 26.480FNLLRC;  
26.480FNLLS; 26.480FNLLW;  
26.480FNLRC; 26.480FNLS; 26.480FNLS;  
26.480FPHLS; 26.480FPLS; 26.480FVHLC;  
26.480FVHL-KO; 26.480FVHLS;  
26.480FVLC; 26.480FVL-KO; 26.480FVLS;  
26.480FVLS) (6x2 & 6x4 & 6x2/4 &  
6x2/2/4) 04.00-

AR/R 410x223 MAN

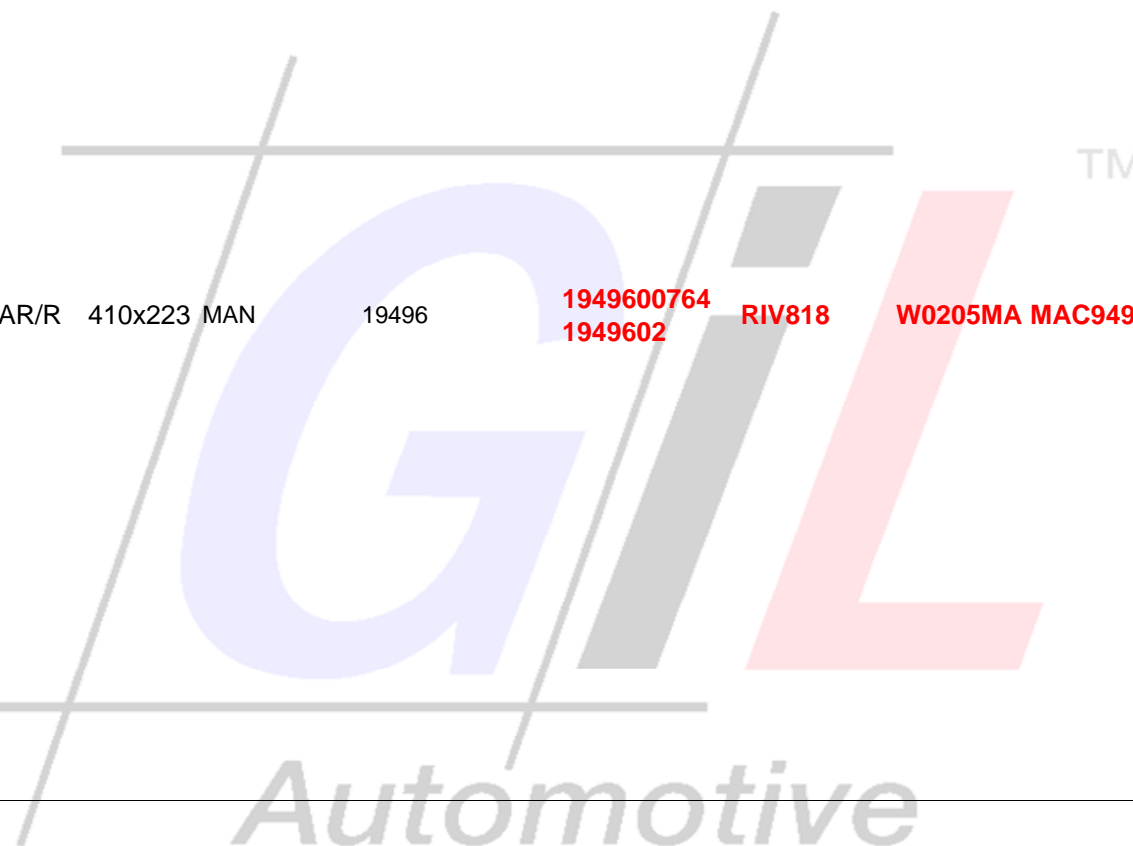
19496

1949600764  
1949602

RIV818

W0205MA MAC9496CAST 1949678\*

TF2048  
TF2048KMG



# APPLICATION PAR VEHICULES APPLICATION BY VEHICLES



MAN ..J..

TGA (26.510FDC; 26.510FDLC;  
26.510FDLRC; 26.510FDLRS; 26.510FDLS;  
26.510FDLS/M; 26.510FDRC; 26.510FDRS;  
26.510FDS; 26.510FNLC; 26.510FNLLC;  
26.510FNLLRC; 26.510FNLLRW;  
26.510FNLLS; 26.510FNLLW;  
26.510FNLRC; 26.510FNLRS; 26.510FNLS;  
26.510FPLS; 26.510FVLC; 26.510FVLS;  
26.510FVLS; 26.530FDC; 26.530FDK;  
26.530FDLC; 26.530FDLK; 26.530FDLRC;  
26.530FDLRK; 26.530FDLRS; 26.530FDLS;  
26.530FDRC; 26.530FDRS; 26.530FDS;  
26.530FNLC; 26.530FNLLC; 26.530FNLLRC;  
26.530FNLLRW; 26.530FNLLS;  
26.530FNLLW; 26.530FNLRC;  
26.530FNLRS; 26.530FNLS; 26.530FPLS;  
26.530FVLC; 26.530FVLRK; 26.530FVLS;  
26.530FVLS; 26.540FNLC; 26.540FNLLC;  
26.540FNLLRC; 26.540FNLLW;  
26.540FNLRC; 27.440FDLRS; 27.440FDLS;  
27.440FDRS; 27.440FDS) (6x2 & 6x4 &  
6x2/4 & 6x2/2/4) 04.00-

AR/R 410x223 MAN

19496

1949600764  
1949602

RIV818

W0205MA MAC9496CAST 1949678\*

TF2048  
TF2048KMG

TM

**GIL**  
Automotive

# APPLICATION PAR VEHICULES APPLICATION BY VEHICLES



MAN ..../.

TGA (28.310FNLC; 28.310FNLLC; 28.310FNLL-LE;  
28.310FNLLR-LE; 28.310FNLC; 28.310FNLS;  
28.310FNLS; 28.320FNLC; 28.320FNLLC; 28.320FNLL-  
LE; 28.320FNLLRC; 28.320FNLLR-LE; 28.320FNLC;  
28.320FNLS; 28.350FANLC;  
28.350FANLK; 28.350FNLC; 28.350FNLLC; 28.350FNLL-  
LE; 28.350FNLLR-LE; 28.350FNLC; 28.350FNLS;  
28.350FNLS; 28.360FANLC; 28.360FANLK;  
28.360FNLC; 28.360FNLLC; 28.360FNLL-LE;  
28.360FNLLR-LE; 28.360FNLC; 28.360FNLS;  
28.360FNLS; 28.390FANLC; 28.390FANLK;  
28.390FNLC; 28.390FNLLC; 28.390FNLC;  
28.390FNLS; 28.390FNLS; 28.400FANLC;  
28.400FANLK; 28.400FNLC; 28.400FNLLC;  
28.400FNLC; 28.400FNLS; 28.400FNLS;  
28.410FANLC; 28.410FANLK; 28.410FNLC;  
28.410FNLLC; 28.410FNLC; 28.410FNLS;  
28.410FNLS; 28.430FANLC; 28.430FANLK;  
28.430FNLC; 28.430FNLLC; 28.430FNLC;  
28.430FNLS; 28.430FNLS; 28.440FANLC;  
28.440FANLK; 28.440FNLC; 28.440FNLLC;  
28.440FNLC; 28.440FNLS; 28.440FNLS;  
28.460FNLC; 28.460FNLLC; 28.460FNLC;  
28.460FNLS; 28.460FNLS; 28.480FANLC;  
28.480FANLK; 28.480FNLC; 28.480FNLLC;  
28.480FNLC; 28.480FNLS; 28.480FNLS;  
28.510FNLC; 28.510FNLLC; 28.510FNLC;  
28.510FNLS; 28.510FNLS; 28.530FANLC;  
28.530FANLK; 28.530FNLC; 28.530FNLLC;  
28.530FNLC; 28.530FNLS; 28.530FNLS;  
28.540FNLC; 28.540FNLLC; 28.540FNLS) (6x2 &  
6x4 & 6x2/4 & 6x2/2/4) 04.00-

AR/R 410x223 MAN

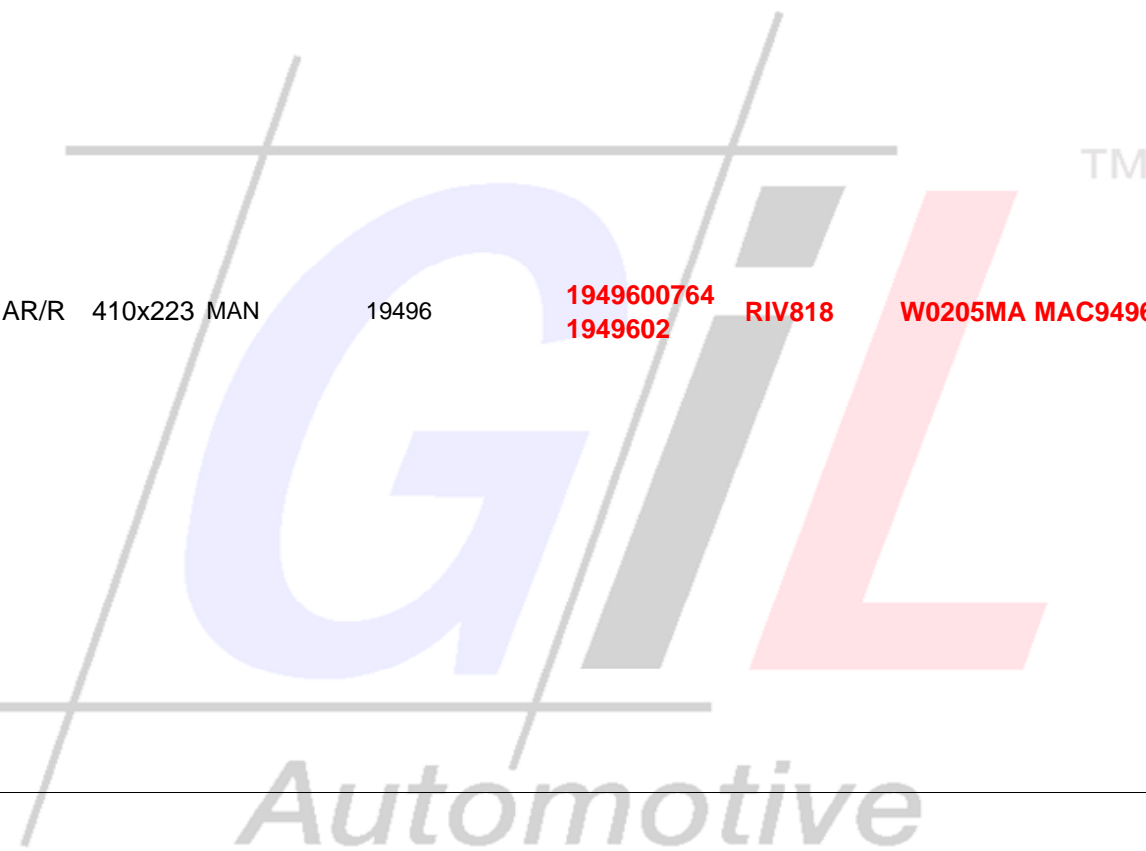
19496

1949600764  
1949602

RIV818

W0205MA MAC9496CAST 1949678\*

TF2048  
TF2048KMG



# APPLICATION PAR VEHICULES APPLICATION BY VEHICLES



MAN ..J..

TGA (32.310FFDC; 32.310FFDK;  
32.310FFDLC; 32.310FFDLK;  
32.310FFDLRC; 32.310FFDRC;  
32.310FFDR-TM; 32.310FFD-TM;  
32.350FFDC; 32.350FFDLC;  
32.350FFDLRC; 32.350FFDRC;  
32.350FFDR-TM; 32.350FFD-TM;  
32.360FFDC; 32.360FFDK; 32.360FFDLC;  
32.360FFDLK; 32.360FFDLRC;  
32.360FFDRC; 32.360FFDR-TM; 32.360FFD-  
TM; 32.360FFFDR-TM; 32.390FFDRC;  
32.390FFDR-TM; 32.390FFD-TM;  
32.400FFDRC; 32.400FFDR-TM; 32.400FFD-  
TM; 32.410FFDC; 32.410FFDK;  
32.410FFDLC; 32.410FFDLK;  
32.410FFDLRC; 32.410FFDRC;  
32.410FFDR-TM; 32.410FFD-TM;  
32.430FFDRC; 32.430FFDR-TM; 32.430FFD-  
TM; 32.440FFDRC; 32.440FFDR-TM;  
32.440FFD-TM; 32.460FFDC; 32.460FFDK;  
32.460FFDLC; 32.460FFDLK;  
32.460FFDLRC; 32.460FFDRC;  
32.460FFDR-TM; 32.460FFD-TM;  
32.480FFDC; 32.480FFDK; 32.480FFDLC;  
32.480FFDLK; 32.480FFDLRC;  
32.480FFDRC; 32.480FFDR-TM; 32.480FFD-  
TM) (6x6 & 8x2/4 & 8x4/4 & 8X6/4) 04.00-

AR/R 410x223 MAN

19496

1949600764  
1949602

RIV818

W0205MA MAC9496CAST 1949678\*

TF2048  
TF2048KMG

TM

*Automotive*



# APPLICATION PAR VEHICULES APPLICATION BY VEHICLES



MAN ..J..

TGA (33.350FDAC; 33.350FDAK; 33.350FDARC;  
33.350FDARK; 33.350FDARS; 33.350FDAS;  
33.350FDC; 33.350FDC-TM; 33.350FDHC;  
33.350FDHK; 33.350FDHS; 33.350FDK; 33.350FDLC;  
33.350FDLK; 33.350FDLRS; 33.350FDLS; 33.350FDRC;  
33.350FDRC-TM; 33.350FDRK; 33.350FDRS;  
33.350FDS; 33.360FDAC; 33.360FDAK; 33.360FDARC;  
33.360FDARK; 33.360FDARS; 33.360FDAS;  
33.360FDC; 33.360FDCTM; 33.360FDC-TM;  
33.360FDHC; 33.360FDHK; 33.360FDHS; 33.360FDK;  
33.360FDK-WW; 33.360FDLC; 33.360FDLK;  
33.360FDLRC; 33.360FDLRS; 33.360FDLS;  
33.360FDRC; 33.360FDRC-TM; 33.360FDRK;  
33.360FDRK-WW; 33.360FDRS; 33.360FDR-TM;  
33.360FDS; 33.360FD-TM; 33.390FDC; 33.390FDC-TM;  
33.390FDK; 33.390FDLC; 33.390FDLK; 33.390FDLRC;  
33.390FDLRS; 33.390FDLS; 33.390FDRC; 33.390FDRC-  
TM; 33.390FDRK; 33.390FDRS; 33.390FDS.  
33.400FDC; 33.400FDC-TM; 33.400FDK; 33.400FDLC;  
33.400FDLK; 33.400FDLRC; 33.400FDLRS;  
33.400FDLS; 33.400FDRC; 33.400FDRC-TM;  
33.400FDRK; 33.400FDRS; 33.400FDS; 33.410FDC;  
33.410FDK; 33.410FDK-WW; 33.410FDLC;  
33.410FDLK; 33.410FDLRC; 33.410FDLRS;  
33.410FDLS; 33.410FDRC; 33.410FDRK-WW;  
33.410FDRS; 33.410FDR-TM; 33.410FDS; 33.410FD-  
TM) (6x4 & 6x6 & 8x2/4 & 8x4/4 & 8x6/4 &  
8x8/4) 04.00-

AR/R 410x223 MAN

19496

1949600764  
1949602

RIV818

W0205MA MAC9496CAST 1949678\*

TF2048  
TF2048KMG

TM

Automotive

# APPLICATION PAR VEHICULES APPLICATION BY VEHICLES



## MAN ..J..

TGA (33.430FDC; 33.430FDC-TM; 33.430FDK;  
33.430FDLC; 33.430FDLK; 33.430FDLRC;  
33.430FDLRS; 33.430FDLS; 33.430FDRC;  
33.430FDRC-TM; 33.430FDRK; 33.430FDRS;  
33.430FDS; 33.440FDC; 33.440FDC-TM;  
33.440FDK; 33.440FDLC; 33.440FDLK;  
33.440FDLRC; 33.440FDLRS; 33.440FDLS;  
33.440FDRC; 33.440FDRC-TM; 33.440FDRK;  
33.440FDRS; 33.440FDS; 33.460FDC;  
33.460FDK; 33.460FDLC; 33.460FDLK;  
33.460FDLRC; 33.460FDLRS; 33.460FDLS;  
33.460FDRC; 33.460FDRK; 33.460FDRS;  
33.460FDR-TM; 33.460FDS; 33.460FD-TM;  
33.480FDC; 33.480FDC-TM; 33.480FDK;  
33.480FDLC; 33.480FDLK; 33.480FDLRC;  
33.480FDLRS; 33.480FDLS; 33.480FDRC;  
33.480FDRC-TM; 33.480FDRK; 33.480FDRS;  
33.480FDS; 33.480FD-TM; 33.510FDC;  
33.510FDLC; 33.510FDLRC; 33.510FDLRS;  
33.510FDLS; 33.510FDRC; 33.510FDRS;  
33.510FDS; 33.530FDC; 33.530FDK;  
33.530FDLC; 33.530FDLK; 33.530FDLRC;  
33.530FDLRS; 33.530FDLS; 33.530FDRC;  
33.530FDRS; 33.530FDS) (6x4 & 6x6 & 8x2/4  
& 8x4/4 & 8X6/4 & 8x8/4) 04.00-

AR/R 410x223 MAN

19496

1949600764  
1949602

RIV818

W0205MA MAC9496CAST 1949678\*

TM  
TF2048  
TF2048KMG

*Automotive*

# APPLICATION PAR VEHICULES APPLICATION BY VEHICLES



## MAN ..../.

TGA (33.360FDAK; 33.360FDARK;  
33.360FDARS; 33.360FDAS; 33.360FDHK;  
33.360FDHS; 33.360FDLRS; 33.360FDLS;  
33.360FDRS; 33.360FDS; 33.390FDAC;  
33.390FDAK; 33.390FDARK; 33.390FDARS;  
33.390FDAS; 33.390FDHC; 33.390FDHK;  
33.390FDHS; 33.400FDAC; 33.400FDAK;  
33.400FDARK; 33.400FDARS; 33.400FDAS;  
33.400FDHC; 33.400FDHK; 33.400FDHS;  
33.410FDAC; 33.410FDAK; 33.410FDALC;  
33.410FDALK; 33.410FDALS;  
33.410FDARC; 33.410FDARS; 33.410FDAS;  
33.430FDALS; 33.430FDARS; 33.430FDAS;  
33.430FDHS; 33.430FDAC; 33.430FDAK;  
33.430FDALC; 33.430FDALK;  
33.430FDARK; 33.430FDHC; 33.430FDHK;  
33.440FDAC; 33.440FDAK; 33.440FDALC;  
33.440FDALK; 33.440FDALS;  
33.440FDARK; 33.440FDARS; 33.440FDAS;  
33.440FDHC; 33.440FDHK; 33.440FDHS;  
33.440FDLS; 33.440FDRS; 33.440FFDS;  
33.460FDAC; 33.460FDAK; 33.460FDAS;  
33.480FDAC; 33.480FDAK; 33.480FDALC;  
33.480FDALK; 33.480FDALS;  
33.480FDARC; 33.480FDARK;  
33.480FDARS; 33.480FDAS; 33.480FDHK;  
33.480FDHS; 33.480FDHC; 33.530FDAC;  
33.530FDAK; 33.530FDALC; 33.530FDALK;  
33.530FDALS; 33.530FDAS; 40.390FDARS;  
40.390FDAS; 40.390FDAK; 40.390FDARK)  
(6x6) 04.00-

AV/F 410x183

19495

1949500764  
1949502

RIV818

W0205MA MAC9495CAST 1949578\*

TF2051  
TF2051KMG

AR/R2 410x143 MAN

17238

1723802

RIV815

W0205MA

AR/R 410x223

19496

1949600764  
1949602

RIV818

W0205MA MAC9496CAST 1949678\*

TF2048  
TF2048KMG

**GIL**  
Automotive

TM

# APPLICATION PAR VEHICULES APPLICATION BY VEHICLES



## MAN ..J..

TGA (40.400FDAK; 40.400FDARK; 40.400FDARS; 40.400FDAS; 40.410FDAK; 40.410FDAS; 40.430FDAK; 40.430FDARK; 40.430FDARS; 40.430FDAS; 40.440FDAK; 40.440FDARK; 40.440FDARS; 40.440FDAS; 40.460FDAK; 40.460FDAS; 40.480FDAK; 40.480FDARS; 40.480FDAS; 40.480FDRS; 40.480FFDAS; 40.480FDARK) (6x6) 04.00-	AV/F	410x183 MAN	19495	<b>1949500764</b> <b>1949502</b>	<b>RIV818</b>	<b>W0205MA MAC9495CAST</b>	<b>1949578*</b>	<b>TF2051</b> <b>TF2051KMG</b>
40.460FDAK; 40.460FDAS; 40.480FDAK; 40.480FDARS; 40.480FDAS; 40.480FDRS; 40.480FFDAS; 40.480FDARK) (6x6) 04.00-	AR/R2	410x143 MAN	17238	<b>1723802</b>	<b>RIV815</b>	<b>W0205MA</b>		
40.460FDAK; 40.460FDAS; 40.480FDAK; 40.480FDARS; 40.480FDAS; 40.480FDRS; 40.480FFDAS; 40.480FDARK) (6x6) 04.00-	AR/R	410x223 MAN	19496	<b>1949600764</b> <b>1949602</b>	<b>RIV818</b>	<b>W0205MA MAC9496CAST</b>	<b>1949678*</b>	<b>TF2048</b> <b>TF2048KMG</b>

TGA (35.310FFDC; 35.310FFDK; 35.310FFDLC;  
35.310FFDLK; 35.310FFD-TM; 35.320FFDC;  
35.320FFDK; 35.320FFDLC; 35.320FFDLK;  
35.320FFD-TM; 35.350FFDC; 35.350FFDHK;  
35.350FFDHLK; 35.350FFDH-TM; 35.350FFDK;  
35.350FFDLC; 35.350FFDLK; 35.350FFDRC;  
35.350FFDRK; 35.350FFD-TM; 35.350FFNLC;  
35.360FFDAK; 35.360FFDC; 35.360FFDHK;  
35.360FFDHLK; 35.360FFDH-TM; 35.360FFDK;  
35.360FFDLC; 35.360FFDLK; 35.360FFDRC;  
35.360FFDRK; 35.360FFD-TM; 35.360FFNHLK;  
35.360FFNLC; 35.390FDNLC; 35.390FFDAK;  
35.390FFDC; 35.390FFDHK; 35.390FFDHLK;  
35.390FFDH-TM; 35.390FFDK; 35.390FFDLC;  
35.390FFDLK; 35.390FFDRC; 35.390FFDRK;  
35.390FFD-TM; 35.390FFNLC) (8x2/4 & 8x4/4  
& 8X6/4 & 8x4/6 & 8x8/4) 04.00-

AR/R 410x223 MAN

19496

**1949600764**  
**1949602**

**RIV818**

**W0205MA MAC9496CAST**

**1949678\***

**TF2048**  
**TF2048KMG**

Automotive



# APPLICATION PAR VEHICULES APPLICATION BY VEHICLES



## MAN ..J..

TGA (35.400FDNLC; 35.400FFDAK; 35.400FFDC;  
35.400FFDHK; 35.400FFDHLK; 35.400FFDH-TM; 35.400FFDK;  
35.400FFDLC; 35.400FFDLK; 35.400FFDRC; 35.400FFDRK;  
35.400FFD-TM; 35.400FFNHLC; 35.400FFNLC; 35.410FDNLC;  
35.410FFDAK; 35.410FFDC; 35.410FFDK; 35.410FFDLC;  
35.410FFDLK; 35.410FFD-TM; 35.410FFNLC; 35.430FDNLC;  
35.430FFDAK; 35.430FFDC; 35.430FFDHK; 35.430FFDHLK;  
35.430FFDH-TM; 35.430FFDK; 35.430FFDLC; 35.430FFDLK;  
35.430FFDRC; 35.430FFDRK; 35.430FFD-TM; 35.430FFNLC;  
35.440FDNLC; 35.440FFDAK; 35.440FFDC; 35.440FFDHK;  
35.440FFDHLK; 35.440FFDH-TM; 35.440FFDK; 35.440FFDLC;  
35.440FFDLK; 35.440FFDRC; 35.440FFDRK; 35.440FFD-TM;  
35.440FFNHLC; 35.440FFNLC; 35.460FFDC; 35.460FFDK;  
35.460FFDLC; 35.460FFDLK; 35.460FFD-TM; 35.460FFNLC;  
35.480FDNLC; 35.480FFDAK; 35.480FFDARS; 35.480FFDC;  
35.480FFDHK; 35.480FFDHLK; 35.480FFDH-TM; 35.480FFDK;  
35.480FFDLC; 35.480FFDLK; 35.480FFD-TM; 35.480FFNHLC;  
35.480FFNLC; 35.530FDNLC; 35.530FFDAK; 35.530FFDC;  
35.530FFDK; 35.530FFDLC; 35.530FFDLK; 35.530FFD-TM;  
35.530FFNLC) (8x2/4 & 8x4/4 & 8X6/4 & 8x4/6  
& 8x8/4) 04.00-

AR/R 410x223 MAN 19496

1949600764  
1949602

RIV818

W0205MA MAC9496CAST 1949678\*

TF2048  
TF2048KMG

TM

TGA (37.310FFDC; 37.310FFDK; 37.310FFD-  
TM; 37.320FFDC; 37.320FFDK; 37.320FFD-TM;  
37.350FFDC; 37.350FFDK; 37.350FFD-TM;  
37.360FFDC; 37.360FFDK; 37.360FFD-TM;  
37.390FFDC; 37.390FFDK; 37.390FFD-TM;  
37.400FFDC; 37.400FFDK; 37.400FFD-TM;  
37.410FFDC; 37.410FFDK; 37.410FFD-TM;  
37.430FFDC; 37.430FFDK; 37.430FFD-TM;  
37.440FFDC; 37.440FFDK; 37.440FFD-TM;  
37.460FFDC; 37.460FFDK; 37.460FFD-TM;  
37.480FFDC; 37.480FFDK; 37.480FFD-TM;  
37.530FFDC; 37.530FFDK; 37.530FFD-TM;  
37.530FVDLS; 37.530FVDS; 39.390FVNLC;  
39.400FVNLC; 39.430FVNLC; 39.440FVNLC;  
39.480FVNLC) (8x2/4 & 8x4/4) 04.00-

AR/R 410x223 MAN 19496

1949600764  
1949602

RIV818

W0205MA MAC9496CAST 1949678\*

TF2048  
TF2048KMG

Automotive

# APPLICATION PAR VEHICULES APPLICATION BY VEHICLES



## MAN ..J..

TGA (40.390FDK; 40.390FDRK; 40.390FDRS;  
40.390FDS; 40.400FDK; 40.400FDRK; 40.400FDRS;  
40.400FDS; 40.410FDK; 40.410FDS; 40.430FDK;  
40.430FDRK; 40.430FDRS; 40.430FDS; 40.440FDK;  
40.440FDRK; 40.440FDRS; 40.440FDS; 40.460FDK;  
40.460FDS; 40.480FDK; 40.480FDRK; 40.480FDRS;  
40.480FDS; 41.350FFD; 41.350FFDC; 41.350FFDC-TM;  
41.350FFDK; 41.350FFDRC; 41.350FFDRC-TM;  
41.350FFDRK; 41.350FFD-TM; 41.360FDRK-TM;  
41.360FFD; 41.360FFDC; 41.360FFDC/M;  
41.360FFDC/M-WW; 41.360FFDC-TM; 41.360FFDK;  
41.360FFDRC; 41.360FFDRCTM; 41.360FFDRC-TM;  
41.360FFDRK; 41.360FFD-TM; 41.390FDRK-TM;  
41.390FFD; 41.390FFDAK; 41.390FFDC; 41.390FFDC-  
TM; 41.390FFDK; 41.390FFDRC; 41.390FFDRC-TM;  
41.390FFDRK; 41.390FFD-TM; 41.400FDRK-TM;  
41.400FFD; 41.400FFDC; 41.400FFDC-TM;  
41.400FFDK; 41.400FFDRC; 41.400FFDRC-TM;  
41.400FFDRK; 41.400FFD-TM; 41.410FDRK;  
41.410FFDAK; 41.410FFDC; 41.410FFDC-TM;  
41.410FFDK; 41.410FFDRC; 41.410FFDRCTM;  
41.410FFDRK; 41.410FFD-TM; 41.430FFD;  
41.430FFDAK; 41.430FFDC; 41.430FFDC-TM;  
41.430FFDK; 41.430FFDRC; 41.430FFDRC-TM;  
41.430FFDRK; 41.430FFD-TM) (6x4 & 8x4/4 &  
8X6/4 & 8x8/4) 04.00-

AR/R 410x223 MAN

19496

1949600764  
1949602

RIV818

W0205MA MAC9496CAST 1949678\*

TM  
TF2048  
TF2048KMG

**GIL**  
Automotive

# APPLICATION PAR VEHICULES APPLICATION BY VEHICLES



## MAN ..../

TGA (41.440FFD; 41.440FFD/M; 41.440FFDAK;  
41.440FFDC; 41.440FFDC-TM; 41.440FFDK;  
41.440FFDRC; 41.440FFDRCTM; 41.440FFDRC-TM;  
41.440FFDRK; 41.440FFD-TM; 41.460FFDC;  
41.460FFDC-TM; 41.460FFDK; 41.460FFDRC;  
41.460FFDRCTM; 41.460FFDRK; 41.460FFD-TM;  
41.480FFD; 41.480FFDAK; 41.480FFDARC;  
41.480FFDC; 41.480FFDC-TM; 41.480FFDK;  
41.480FFDRC; 41.480FFDRCTM; 41.480FFDRC-TM;  
41.480FFDRK; 41.480FFD-TM; 41.480FVDLS;  
41.480FVDS; 41.530FFDAK; 41.530FFDC; 41.530FFDC-  
TM; 41.530FFDK; 41.530FFDRCTM; 41.530FFDRK;  
41.530FFD-TM; 41.530FVDLS; 41.530FVDS;  
41.540FVDLS; 41.540FVDS; 41.660FVDLS;  
41.660FVDS) (6x4 & 8x4/4 & 8X6/4 & 8x8/4)  
04.00-

AR/R 410x223 MAN 19496

1949600764  
1949602

RIV818

W0205MA MAC9496CAST 1949678\*

TF2048  
TF2048KMG

TM

TGM (12.250FLC; 12.250FLLC; 12.290FLC;  
12.290FLLC; 13.250FAEC; 13.250FAERC; 13.250FAL;  
13.250FALC; 13.250FALK; 13.250FALKL; 13.250FALR;  
13.250FALRC; 13.250FALRK; 13.250FALRK-L;  
13.290FAEC; 13.290FAERC; 13.290FAL; 13.290FALC;  
13.290FALK; 13.290FALKL; 13.290FALR;  
13.290FALRC; 13.290FALRK; 13.290FALRK-L;  
15.240FC; 15.240FLC; 15.240FLK; 15.240FLLC;  
15.240FLLRC; 15.240FLRC; 15.240FLRK; 15.250FC;  
15.250FK; 15.250FK-L; 15.250FLC; 15.250FLK;  
15.250FLK-L; 15.250FLLC; 15.250FLLRC; 15.250FLRC;  
15.250FLRK; 15.280FC; 15.280FLC; 15.280FLK;  
15.280FLLC; 15.280FLLRC; 15.280FLRC; 15.280FLRK;  
15.290FC; 15.290FK; 15.290FK-L; 15.290FLC;  
15.290FLK; 15.290FLK-L; 15.290FLLC; 15.290FLLRC;  
15.290FLRC; 15.290FLRK; 15.330FC; 15.330FLC;  
15.330FLK; 15.330FLRC; 15.330FLRK; 15.330FRC;  
15.340FC; 15.340FK; 15.340FK-L; 15.340FLC;  
15.340FLK; 15.340FLK-L; 15.340FLRC; 15.340FLRK)  
(4x2 & 4x4)10.05-

AV/F 410x183

19495

1949500764  
1949502

RIV818

W0205MA MAC9495CAST 1949578\*

TF2051  
TF2051KMG

MAN  
(OPTION)

AR/R 410x223

19496

1949600764  
1949602

RIV818

W0205MA MAC9496CAST 1949678\*

TF2048  
TF2048KMG

# APPLICATION PAR VEHICULES APPLICATION BY VEHICLES



MAN ..J..

TGM (18.240FAC; 18.240FAK; 18.240FAK-L;  
18.240FARC; 18.240FARK; 18.240FARK-L; 18.240FC;  
18.240FK; 18.240FK-L; 18.240FLC; 18.240FLK;  
18.240FLK-L; 18.240FLLC; 18.240FLLRC; 18.240FLRC;  
18.240FLRK; 18.240FLRK-L; 18.240FRC; 18.240FRK;  
18.240FRK-L; 18.250FAC; 18.250FAK; 18.250FAK-L;  
18.250FARC; 18.250FARK; 18.250FARK-L; 18.250FC;  
18.250FK; 18.250FK-L; 18.250FLC; 18.250FLK;  
18.250FLK-L; 18.250FLLC; 18.250FLLRC; 18.250FLRC;  
18.250FLRK; 18.250FLRK-L; 18.250FRC; 18.250FRK;  
18.250FRK-L; 18.280FAC; 18.280FAK; 18.280FAK-L;  
18.280FARC; 18.280FARK; 18.280FARK-L; 18.280FC;  
18.280FK; 18.280FK-L; 18.280FLC; 18.280FLK;  
18.280FLK-L; 18.280FLLC; 18.280FLLRC; 18.280FLRC;  
18.280FLRK; 18.280FLRK-L; 18.280FRC; 18.280FRK;  
18.280FRK-L; 18.290FAC; 18.290FAK; 18.290FAK-L;  
18.290FARC; 18.290FARK; 18.290FARK-L; 18.290FC;  
18.290FK; 18.290FK-L; 18.290FLC; 18.290FLK;  
18.290FLK-L; 18.290FLLC; 18.290FLLRC; 18.290FLRC;  
18.290FLRK; 18.290FLRK-L; 18.290FRC; 18.290FRK;  
18.290FRK-L; 18.330FAC; 18.330FAK; 18.330FAK-L;  
18.330FARC; 18.330FARK; 18.330FARK-L; 18.330FC;  
18.330FFARC; 18.330FK; 18.330FK-L; 18.330FLC;  
18.330FLK; 18.330FLK-L; 18.330FLLC; 18.330FLLRC;  
18.330FLRC; 18.330FLRK; 18.330FLRK-L; 18.330FRC;  
18.330FRK; 18.330FRK-L; 18.340FAC; 18.340FAK;  
18.340FAK-L; 18.340FARC; 18.340FARK; 18.340FARK-L;  
18.340FC; 18.340FK; 18.340FK-L; 18.340FLC;  
18.340FLK; 18.340FLK-L; 18.340FLLC; 18.340FLLRC;  
18.340FLRC; 18.340FLRK; 18.340FLRK-L; 18.340FRC;  
18.340FRK; 18.340FRK-L) (4x2 & 4x4)10.05-

AV/F 410x183

19495

1949500764  
1949502

RIV818

W0205MA MAC9495CAST 1949578\*

TF2051  
TF2051KMG

MAN  
(OPTION)

AR/R 410x223

19496

1949600764  
1949602

RIV818

W0205MA MAC9496CAST 1949678\*

TF2048  
TF2048KMG

Automotive



# APPLICATION PAR VEHICULES APPLICATION BY VEHICLES



## MAN ..J..

TGM (22.240FNLLC; 22.250FNLLC;  
22.280FNLC; 22.280FNLLC; 22.280FNLLRC;  
22.280FNLC; 22.280FNLLC; 22.280FNLLRC;  
22.280FNLC; 22.280FNLLC; 22.280FNLLRC;  
26.280FD; 26.280FDK-HK; 26.280FDRK-HK;  
26.280FDR-TM; 26.280FD-TM; 26.280FNLC;  
26.280FNLLC; 26.280FNLLRC;  
26.280FNLC; 26.290FD; 26.290FDK-HK;  
26.290FDR; 26.290FDRK-HK; 26.290FDR-  
TM; 26.290FD-TM; 26.290FNLC;  
26.290FNLLC; 26.290FNLLRC;  
26.290FNLC; 26.290FVL; 26.330FD;  
26.330FDK-HK; 26.330FDR; 26.330FDRK-  
HK; 26.330FDR-TM; 26.330FD-TM;  
26.330FNLC; 26.330FNLLC; 26.330FNLLRC;  
26.330FNLC; 26.330FVL; 26.340FD;  
26.340FDK-HK; 26.340FDR; 26.340FDRK-  
HK; 26.340FDR-TM; 26.340FD-TM;  
26.340FNLC; 26.340FNLLC; 26.340FNLLRC;  
26.340FNLC) (6x2/4 & 6x4)10.05-

AV/F 410x183

19495

1949500764  
1949502

RIV818

W0205MA MAC9495CAST 1949578\*

TF2051  
TF2051KMG

MAN  
(OPTION)

TM

AR/R 410x223

19496

1949600764  
1949602

RIV818

W0205MA MAC9496CAST 1949678\*

TF2048  
TF2048KMG

**GIL**  
Automotive

# APPLICATION PAR VEHICULES APPLICATION BY VEHICLES



**MAN ..J..**

TGS (18.320FAC; 18.320FAK; 18.320FAK-L;  
18.320FALK; 18.320FALK-L; 18.320FALS;  
18.320FAS; 18.320FC; 18.320FHLC; 18.320FHLC;  
18.320FHLK/M; 18.320FHLS; 18.320FHLS/M;  
18.320FK; 18.320FK-L; 18.320FLC; 18.320FLK;  
18.320FLK/M; 18.320FLLC; 18.320FLLRC;  
18.320FLLRS; 18.320FLLS; 18.320FLLS/N;  
18.320FLLW; 18.320FLLW/N; 18.320FLRC;  
18.320FLRS; 18.320FLRS/M; 18.320FLS;  
18.320FLS/M; 18.320FLS-TS; 18.350FAC;  
18.350FAK; 18.350FAS; 18.360FAC; 18.360FAK;  
18.360FAK-L; 18.360FALK; 18.360FALK-L;  
18.360FALS; 18.360FAS; 18.360FC; 18.360FHLC;  
18.360FHLK; 18.360FHLK/M; 18.360FHLS;  
18.360FHLS/M; 18.360FK; 18.360FK-L;  
18.360FLC; 18.360FLK; 18.360FLK/M;  
18.360FLLC; 18.360FLLRC; 18.360FLLRS;  
18.360FLLS; 18.360FLLS/N; 18.360FLLW;  
18.360FLLW/N; 18.360FLRC; 18.360FLRS;  
18.360FLRS/M; 18.360FLS; 18.360FLS/M;  
18.360FLS-TS; 18.390FAC; 18.390FAK;  
18.390FAS; 18.390FHLC; 18.400FAC;  
18.400FAK; 18.400FAK-L; 18.400FALK;  
18.400FALK-L; 18.400FALS; 18.400FAS;  
18.400FC; 18.400FHLC; 18.400FHLK;  
18.400FHLK/M; 18.400FHLS; 18.400FHLS/M;  
18.400FK; 18.400FK-L; 18.400FLC; 18.400FLK;  
18.400FLK/M; 18.400FLLC; 18.400FLLRC;  
18.400FLLRS; 18.400FLLS; 18.400FLLS/N;  
18.400FLLW; 18.400FLLW/N; 18.400FLRC;  
18.400FLRS; 18.400FLRS/M; 18.400FLS;  
18.400FLS/M; 18.400FLS-TS; 18.430FAC;  
18.430FAK; 18.430FAS) (4x2 & 4x4) 10.07-

AV/F 410x183

19495

**1949500764  
1949502**

**RIV818**

**W0205MA MAC9495CAST 1949578\***

**TF2051  
TF2051KMG**

TM

MAN  
(OPTION)

AR/R 410x223

19496

**1949600764  
1949602**

**RIV818**

**W0205MA MAC9496CAST 1949678\***

**TF2048  
TF2048KMG**

*Automotive*

# APPLICATION PAR VEHICULES APPLICATION BY VEHICLES



## MAN ..J..

TGS (18.440FAC; 18.440FAK; 18.440FAK-L;  
18.440FALK; 18.440FALK-L; 18.440FALS;  
18.440FAS; 18.440FC; 18.440FHLC;  
18.440FHLK; 18.440FHLK/M; 18.440FHLS;  
18.440FHLS/M; 18.440FK; 18.440FK-L;  
18.440FLC; 18.440FLK; 18.440FLK/M;  
18.440FLLC; 18.440FLLRC; 18.440FLLRS;  
18.440FLLS; 18.440FLLS/N; 18.440FLLW;  
18.440FLLW/N; 18.440FLRC; 18.440FLRS;  
18.440FLRS/M; 18.440FLS; 18.440FLS/M;  
18.440FLS-TS; 18.440FLS-TS.; 18.480FAC;  
18.480FAK; 18.480FAK-L; 18.480FALK;  
18.480FALK-L; 18.480FALS; 18.480FAS;  
18.480FC; 18.480FHLC; 18.480FHLK;  
18.480FHLK/M; 18.480FHLS; 18.480FK;  
18.480FK-L; 18.480FLC; 18.480FLK;  
18.480FLK/M; 18.480FLLC; 18.480FLLRC;  
18.480FLLRS; 18.480FLLS; 18.480FLLS/N;  
18.480FLLW; 18.480FLLW/N; 18.480FLRC;  
18.480FLRS; 18.480FLRS/M; 18.480FLS;  
18.480FLS/M; 18.480FLS-TS; 18.540FAC;  
18.540FAK; 18.540FAK-L; 18.540FALK;  
18.540FALK-L; 18.540FALS; 18.540FAS;  
18.540FC; 18.540FHLC; 18.540FHLK;  
18.540FHLK/M; 18.540FHLS;  
18.540FHLS/M; 18.540FK; 18.540FK-L;  
18.540FLC; 18.540FLK; 18.540FLK/M;  
18.540FLLC; 18.540FLLRC; 18.540FLLRS;  
18.540FLLS; 18.540FLLS/N; 18.540FLLW;  
18.540FLLW/N; 18.540FLRC; 18.540FLRS;  
18.540FLRS/M; 18.540FLS; 18.540FLS/M)  
(4x2 & 4x4) 10.07-

AV/F 410x183

19495

1949500764  
1949502

RIV818

W0205MA MAC9495CAST 1949578\*

TF2051  
TF2051KMG

MAN  
(OPTION)

AR/R 410x223

19496

1949600764  
1949602

RIV818

W0205MA MAC9496CAST 1949678\*

TF2048  
TF2048KMG

Automotive

# APPLICATION PAR VEHICULES APPLICATION BY VEHICLES



## MAN ..J..

TGS (19.350FLRS; 19.350FLS;  
19.350FRS; 19.350FS; 19.360FLRS;  
19.360FLS; 19.360FRS; 19.360FS;  
19.390FLRS; 19.390FLS; 19.390FRS;  
19.390FS; 19.400FLRS/MWW;  
19.400FLS/MWW; 19.400FRS/M-WW;  
19.400FS/M-WW; 19.430FLRS;  
19.430FLS; 19.430FRS; 19.430FS;  
19.440FLRS-WW; 19.440FLS-WW;  
19.440FRS-WW; 19.440FS-WW;  
19.480FLRS/M-WW; 19.480FLS/M-WW;  
19.480FRS/MWW; 19.480FS/M-WW;  
21.360FLS; 21.360FS; 21.400FS;  
21.440FLS; 21.480FS; 21.480FLS) (4x2 &  
4x4) 10.07-

AV/F 410x183

19495

1949500764  
1949502

RIV818

W0205MA MAC9495CAST 1949578\*

TF2051  
TF2051KMG

MAN  
(OPTION)

TM

AR/R 410x223

19496

1949600764  
1949602

RIV818

W0205MA MAC9496CAST 1949678\*

TF2048  
TF2048KMG

**GIL**  
Automotive



# APPLICATION PAR VEHICULES APPLICATION BY VEHICLES



## MAN ..../.

TGS (24.320FNLLW/N; 24.320FPLRS;  
24.320FPLS; 24.360FNLLW/N; 24.360FPLRS;  
24.360FPLS; 24.400FNLLW/N; 24.400FPLRS;  
24.400FPLS; 24.440FNLLW/N; 24.440FPLRS;  
24.440FPLS; 24.480FNLLW/N; 24.480FPLRS;  
24.480FPLS; 24.540FPLRS; 24.540FPLS;  
26.320FDAC; 26.320FDAK; 26.320FDALC;  
26.320FDALK; 26.320FDALS; 26.320FDAS;  
26.320FDC; 26.320FDHK; 26.320FDHLC/M;  
26.320FDHLC; 26.320FDHLK; 26.320FDHLS/M;  
26.320FDHLS; 26.320FDHS; 26.320FDK;  
26.320FDLC/M; 26.320FDLC; 26.320FDLK;  
26.320FDLRC/M; 26.320FDLRC; 26.320FDLRS;  
26.320FDLS; 26.320FDRC; 26.320FDRS;  
26.320FDS; 26.320FD-TM; 26.320FNHLC;  
26.320FNHLS; 26.320FNLC; 26.320FNLLC;  
26.320FNLLRC; 26.320FNLLS; 26.320FNLLW;  
26.320FNLRC; 26.320FNLRS; 26.320FNLS;  
26.320FPHLS; 26.320FPLRS; 26.320FPLS;  
26.320FVHLC; 26.320FVHLS; 26.320FVLC;  
26.320FVLKO; 26.320FVL-KO; 26.320FVLS;  
26.350FDLC; 26.350FDLRC; 26.350FDLRS;  
26.350FDLS; 26.350FNLC; 26.350FNLRC;  
26.350FNLRS; 26.350FNLS; 26.360FDAC;  
26.360FDAK; 26.360FDALC; 26.360FDALK;  
26.360FDALS; 26.360FDAS; 26.360FDC;  
26.360FDHK; 26.360FDHLC/M; 26.360FDHLC;  
26.360FDHLK; 26.360FDHLS/M; 26.360FDHLS;  
26.360FDHS; 26.360FDK; 26.360FDLC;  
26.360FDLK; 26.360FDLRC; 26.360FDLRS;  
26.360FDLS; 26.360FDRC/M; 26.360FDRC;  
26.360FDRK; 26.360FDRS) (6x2 & 6x2/2/4 &  
6x4 & 6x6 & 8x4 & 8x4/4 & 8x6/4 & 8x8)  
10.07-

AV/F 410x183

19495

1949500764  
1949502

RIV818

W0205MA MAC9495CAST 1949578\*

TF2051  
TF2051KMG

MAN  
(OPTION)

AR/R 410x223

19496

1949600764  
1949602

RIV818

W0205MA MAC9496CAST 1949678\*

TF2048  
TF2048KMG

Automotive

# APPLICATION PAR VEHICULES APPLICATION BY VEHICLES



MAN ..../

TGS (26.360FNLC; 26.360FNLLC;  
26.360FNLLRC; 26.360FNLLS; 26.360FNLLW;  
26.360FNLR; 26.360FNLRS; 26.360FNLS;  
26.360FPHLS; 26.360FPLRS; 26.360FPLS;  
26.360FVHLC; 26.360FVHLS; 26.360FVLC;  
26.360FVL-KO; 26.360FVLS; 26.390FDLC;  
26.390FDLRC; 26.390FDLRS; 26.390FDLS;  
26.390FNLC; 26.390FNLR; 26.390FNLRS;  
26.390FNLS; 26.400FDAC; 26.400FDAK;  
26.400FDALC; 26.400FDALK; 26.400FDALS;  
26.400FDAS; 26.400FDC/M; 26.400FDC;  
26.400FDHK; 26.400FDHLC/M; 26.400FDHLC;  
26.400FDHLK; 26.400FDHLS/M; 26.400FDHLS;  
26.400FDHS; 26.400FDK; 26.400FDLC/M;  
26.400FDLC; 26.400FDLK; 26.400FDLRC/M;  
26.400FDLRC; 26.400FDLRS; 26.400FDLS;  
26.400FDRC; 26.400FDRS; 26.400FDS;  
26.400FD-TM; 26.400FNHLC; 26.400FNHLS;  
26.400FNLC; 26.400FNLLC; 26.400FNLLRC;  
26.400FNLLRS; 26.400FNLLS; 26.400FNLLW;  
26.400FNLR; 26.400FNLRS; 26.400FNLS;  
26.400FPHLS; 26.400FPLRS; 26.400FPLS;  
26.400FVHLC; 26.400FVHLS; 26.400FVLC;  
26.400FVL-KO; 26.400FVLS; 26.430FDLC;  
26.430FDLRC; 26.430FDLRS; 26.430FDLS;  
26.430FNLC; 26.430FNLR; 26.430FNLRS;  
26.430FNLS; 26.440FDAC; 26.440FDAK;  
26.440FDALC; 26.440FDALK; 26.440FDALS;  
26.440FDAS; 26.440FDC/M; 26.440FDC;  
26.440FDHK; 26.440FDHLC/M; 26.440FDHLC;  
26.440FDHLK; 26.440FDHLS/M; 26.440FDHLS;  
26.440FDHS; 26.440FDK) (6x2 & 6x2/2/4 &  
6x4 & 6x6 & 8x4 & 8x4/4 & 8x6/4 & 8x8)  
10.07-

AV/F 410x183

19495

1949500764  
1949502

RIV818

W0205MA MAC9495CAST 1949578\*

TF2051  
TF2051KMG

TM

MAN  
(OPTION)

AR/R 410x223

19496

1949600764  
1949602

RIV818

W0205MA MAC9496CAST 1949678\*

TF2048  
TF2048KMG

Automotive

# APPLICATION PAR VEHICULES APPLICATION BY VEHICLES



MAN ..J..

TGS (26.440FDLC/M; 26.440FDLC; 26.440FDLK;  
26.440FDLRC; 26.440FDLRS; 26.440FDLS;  
26.440FDRC; 26.440FDRS; 26.440FDS;  
26.440FD-TM; 26.440FNHLC; 26.440FNHLS;  
26.440FNLC; 26.440FNLLC; 26.440FNLLRC;  
26.440FNLLS; 26.440FNLLW; 26.440FNLRC;  
26.440FNLRS; 26.440FNLS; 26.440FPHLS;  
26.440FPLRS; 26.440FPLS; 26.440FVHLC;  
26.440FVHLS; 26.440FVLC; 26.440FVLC;  
26.440FVLKO; 26.440FVL-KO; 26.440FVLS;  
26.480FDAC; 26.480FDAK; 26.480FDALC;  
26.480FDALK; 26.480FDALS; 26.480FDAS;  
26.480FDC/M; 26.480FDC; 26.480FDHK;  
26.480FDHLC; 26.480FDHLK; 26.480FDHLS;  
26.480FDHS; 26.480FDK; 26.480FDLC;  
26.480FDLK; 26.480FDLRC; 26.480FDLRS;  
26.480FDLS; 26.480FDRC; 26.480FDRS;  
26.480FDS; 26.480FD-TM; 26.480FNHLS;  
26.480FNLC; 26.480FNLHC; 26.480FNLLC;  
26.480FNLLRC; 26.480FNLLS; 26.480FNLLW;  
26.480FNLRC; 26.480FNLRS; 26.480FNLS;  
26.480FPHLS; 26.480FPLRS; 26.480FPLS;  
26.480FVHLC; 26.480FVHLS; 26.480FVLC;  
26.480FVLKO; 26.480FVL-KO; 26.480FVLS;  
26.540FDAC; 26.540FDAK; 26.540FDALC;  
26.540FDALK; 26.540FDALS; 26.540FDAS;  
26.540FDC/M; 26.540FDC; 26.540FDHLC/M;  
26.540FDHLC; 26.540FDHLK; 26.540FDHLS;  
26.540FDK; 26.540FDLC/M; 26.540FDLC;  
26.540FDLK; 26.540FDLRC; 26.540FDLRS;  
26.540FDLS; 26.540FDRS; 26.540FDS;  
26.540FNHLC) (6x2 & 6x2/2/4 & 6x4 & 6x6 &  
8x4 & 8x4/4 & 8x6/4 & 8x8) 10.07-

AV/F 410x183

19495

1949500764  
1949502

RIV818

W0205MA MAC9495CAST 1949578\*

TF2051  
TF2051KMG

MAN  
(OPTION)

AR/R 410x223

19496

1949600764  
1949602

RIV818

W0205MA MAC9496CAST 1949678\*

TF2048  
TF2048KMG

Automotive

TM

# APPLICATION PAR VEHICULES APPLICATION BY VEHICLES



MAN ..J..

TGS (26.540FNHLS; 26.540FNLC; 26.540FNLLC;  
26.540FNLLRC; 26.540FNLLS; 26.540FNLLW;  
26.540FNLRC; 26.540FNLRS; 26.540FNLS;  
26.540FPHLS; 26.540FPLRS; 26.540FPLS;  
26.540FVHLC; 26.540FVHLS; 26.540FVLC;  
26.540FVLKO; 26.540FVL-KO; 26.540FVLS;  
28.320FANLC; 28.320FANLK; 28.320FNHLC;  
28.320FNLC; 28.320FNLS; 28.350FNLC;  
28.350FNLLC; 28.350FNLRC; 28.350FNLRS;  
28.350FNLS; 28.360FANLC; 28.360FANLK;  
28.360FNHLC; 28.360FNLC; 28.360FNLRC;  
28.360FNLRS; 28.360FNLS; 28.390FNLC;  
28.390FNLRC; 28.390FNLRS; 28.390FNLS;  
28.400FANLC; 28.400FANLK; 28.400FBLRS;  
28.400FNHLC; 28.400FNLC; 28.400FNLRC;  
28.400FNLS; 28.430FNLC; 28.430FNLRC;  
28.430FNLRS; 28.430FNLS; 28.440FANLC;  
28.440FANLK; 28.440FNHLC; 28.440FNLC;  
28.440FNLRC; 28.440FNLRS; 28.440FNLS;  
28.480FANLC; 28.480FANLK; 28.480FNHLC;  
28.480FNLC; 28.480FNLRC; 28.480FNLRS;  
28.480FNLS; 28.540FANLC; 28.540FANLK;  
28.540FNHLC; 28.540FNLC; 28.540FNLS;  
32.320FFDRC; 32.320FFD-TM; 32.350FFDRC;  
32.360FFDRC; 32.360FFDR-TM; 32.360FFD-TM;  
32.390FFDRC; 32.400FFDRC; 32.400FFDR-TM;  
32.400FFD-TM; 32.440FFDRC; 32.440FFDR-TM;  
32.440FFD-TM; 32.480FFDRC; 32.480FFD-TM;  
33.320FDAC; 33.320FDAK; 33.320FDALC;  
33.320FDALK; 33.320FDALS; 33.320FDAS;  
33.320FDC; 33.320FDK; 33.320FDLC;  
33.320FDLK) (6x2 & 6x2/2/4 & 6x4 & 6x6 &  
8x4 & 8x4/4 & 8x6/4 & 8x8) 10.07-

AV/F 410x183

19495

1949500764  
1949502

RIV818

W0205MA MAC9495CAST 1949578\*

TF2051  
TF2051KMG

TM

MAN  
(OPTION)

AR/R 410x223

19496

1949600764  
1949602

RIV818

W0205MA MAC9496CAST 1949678\*

TF2048  
TF2048KMG

Automotive



# APPLICATION PAR VEHICULES APPLICATION BY VEHICLES



MAN ..J..

TGS (33.320FDLRC; 33.320FDLS; 33.320FDRC;  
33.320FDS; 33.350FDAC; 33.350FDAK;  
33.350FDALK; 33.350FDALS; 33.350FDARC;  
33.350FDAS; 33.350FDC; 33.350FDC-TM;  
33.350FDK; 33.350FDLC; 33.350FDLS;  
33.350FDR; 33.350FDRC; 33.350FDRC-TM;  
33.350FDRK; 33.350FDRS; 33.350FDS;  
33.360FDAC; 33.360FDAK; 33.360FDALC;  
33.360FDALK; 33.360FDALS; 33.360FDARC;  
33.360FDARK; 33.360FDARS; 33.360FDAS;  
33.360FDC; 33.360FDC-TM; 33.360FDHK;  
33.360FDHS; 33.360FDK; 33.360FDLC;  
33.360FDLK; 33.360FDLRC; 33.360FDLS;  
33.360FDR; 33.360FDRC; 33.360FDRC-TM;  
33.360FDRK; 33.360FDRS; 33.360FDS;  
33.390FDAC; 33.390FDAK; 33.390FDALC;  
33.390FDARC; 33.390FDARK; 33.390FDARS;  
33.390FDAS; 33.390FDC; 33.390FDC-TM;  
33.390FDK; 33.390FDLS; 33.390FDR;  
33.390FDRC; 33.390FDRC-TM; 33.390FDRK;  
33.390FDRS; 33.390FDS; 33.400FDAC;  
33.400FDAK; 33.400FDALC; 33.400FDALK;  
33.400FDALS; 33.400FDARC; 33.400FDARK;  
33.400FDARS; 33.400FDAS; 33.400FDC;  
33.400FDC-TM; 33.400FDHK; 33.400FDHS;  
33.400FDK; 33.400FDLC; 33.400FDLK;  
33.400FDLRC; 33.400FDLS; 33.400FDR;  
33.400FDRC; 33.400FDRC-TM; 33.400FDRK;  
33.400FDRS; 33.400FDS; 33.430FDAC;  
33.430FDAK; 33.430FDARC; 33.430FDARK;  
33.430FDARS; 33.430FDAS; 33.430FDC;  
33.430FDC-TM) (6x2 & 6x2/2/4 & 6x4 & 6x6 &  
8x4 & 8x4/4 & 8x6/4 & 8x8) 10.07-

AV/F 410x183

19495

1949500764  
1949502

RIV818

W0205MA MAC9495CAST 1949578\*

TF2051  
TF2051KMG

MAN  
(OPTION)

AR/R 410x223

19496

1949600764  
1949602

RIV818

W0205MA MAC9496CAST 1949678\*

TF2048  
TF2048KMG

*Automotive*

# APPLICATION PAR VEHICULES APPLICATION BY VEHICLES



MAN ..J..

TGS (33.430FDK; 33.430FDLC; 33.430FDLS;  
33.430FDR; 33.430FDRC; 33.430FDRC-TM;  
33.430FDRK; 33.430FDRS; 33.430FDS;  
33.440FDAC; 33.440FDAK; 33.440FDALC;  
33.440FDALK; 33.440FDALS; 33.440FDARC;  
33.440FDARK; 33.440FDARS; 33.440FDAS;  
33.440FDC; 33.440FDC-TM; 33.440FDHK;  
33.440FDHS; 33.440FDK; 33.440FDLC;  
33.440FDLK; 33.440FDLRC; 33.440FDLS/M;  
33.440FDLS; 33.440FDR; 33.440FDRC;  
33.440FDRC-TM; 33.440FDRK; 33.440FDRS;  
33.440FDS; 33.480FDAC; 33.480FDAK;  
33.480FDALC; 33.480FDALK; 33.480FDALS;  
33.480FDARC; 33.480FDARK; 33.480FDARS;  
33.480FDAS; 33.480FDC/M; 33.480FDC;  
33.480FDC-TM; 33.480FDHK; 33.480FDHS;  
33.480FDK; 33.480FDLC/M; 33.480FDLC;  
33.480FDLK; 33.480FDLRC; 33.480FDLS/M;  
33.480FDLS; 33.480FDR; 33.480FDRC;  
33.480FDRC-TM; 33.480FDRS; 33.480FDS;  
33.540FDAC; 33.540FDAK; 33.540FDALC;  
33.540FDALK; 33.540FDALS; 33.540FDAS;  
33.540FDC; 33.540FDK; 33.540FDLC/M;  
33.540FDLC; 33.540FDLK; 33.540FDLRC;  
33.540FDLS/M; 33.540FDLS; 33.540FDRC;  
33.540FDS; 35.320FDNLC; 35.320FFDAK;  
35.320FFDC; 35.320FFDHLK; 35.320FFDK;  
35.320FFDLC; 35.320FFDLK; 35.320FFDRK;  
35.320FFD-TM; 35.320FFNHLC; 35.320FFNLC;  
35.350FDAC; 35.350FDARC; 35.360FDNLC;  
35.360FFDAK; 35.360FFDC; 35.360FFDHLK;  
35.360FFDK) (6x2 & 6x2/2/4 & 6x4 & 6x6 &  
8x4 & 8x4/4 & 8x6/4 & 8x8) 10.07-

AV/F 410x183

19495

1949500764  
1949502

RIV818

W0205MA MAC9495CAST 1949578\*

TF2051  
TF2051KMG

TM

MAN  
(OPTION)

AR/R 410x223

19496

1949600764  
1949602

RIV818

W0205MA MAC9496CAST 1949678\*

TF2048  
TF2048KMG

Automotive

# APPLICATION PAR VEHICULES APPLICATION BY VEHICLES



MAN ..../.

TGS (35.360FFDLC; 35.360FFDLK;  
35.360FFDRK; 35.360FFD-TM; 35.360FFNHLC;  
35.360FFNLC; 35.390FFDAK; 35.400FDNLC;  
35.400FFDAK; 35.400FFDC; 35.400FFDHLK;  
35.400FFDK; 35.400FFDLC; 35.400FFDLK;  
35.400FFDRK; 35.400FFD-TM; 35.400FFNHLC;  
35.400FFNLC; 35.430FFDAK; 35.440FDNLC;  
35.440FFDAK; 35.440FFDC; 35.440FFDHLK;  
35.440FFDK; 35.440FFDLC; 35.440FFDLK;  
35.440FFDRK; 35.440FFD-TM; 35.440FFNHLC;  
35.440FFNLC; 35.480FDNLC; 35.480FFDAK;  
35.480FFDC; 35.480FFDHLK; 35.480FFDK;  
35.480FFDLC; 35.480FFDLK; 35.480FFDRK;  
35.480FFD-TM; 35.480FFNHLC; 35.480FFNLC;  
35.540FDNLC; 35.540FFDAK; 35.540FFDC;  
35.540FFDHLK; 35.540FFDK; 35.540FFDLC;  
35.540FFDLK; 35.540FFDRK; 35.540FFD-TM;  
35.540FFNHLC; 35.540FFNLC; 37.320FFDC;  
37.320FFDK; 37.320FFD-TM; 37.360FFDC;  
37.360FFDK; 37.360FFD-TM; 37.400FFDC;  
37.400FFDK; 37.400FFD-TM; 37.440FFDC;  
37.440FFDK; 37.440FFD-TM; 37.480FFDC;  
37.480FFDK; 37.480FFD-TM; 37.540FFDC;  
37.540FFDK; 37.540FFD-TM; 40.360FDAK;  
40.360FDARK; 40.360FDARS; 40.360FDAS;  
40.360FDK; 40.360FDRK; 40.360FDRS;  
40.360FDS; 40.390FDAK; 40.390FDARK;  
40.390FDARS; 40.390FDAS; 40.390FDK;  
40.390FDRK; 40.390FDRS; 40.390FDS;  
40.400FDAK-WW; 40.400FDARKWW;  
40.400FDARSWW; 40.400FDAS-WW;  
40.400FDK; 40.400FDRK; 40.400FDRS;  
40.400FDS) (6x2 & 6x2/2/4 & 6x4 & 6x6 & 8x4  
& 8x4/4 & 8x6/4 & 8x8) 10.07-

AV/F 410x183

19495

1949500764  
1949502

RIV818

W0205MA MAC9495CAST 1949578\*

TF2051  
TF2051KMG

TM

MAN  
(OPTION)

AR/R 410x223

19496

1949600764  
1949602

RIV818

W0205MA MAC9496CAST 1949678\*

TF2048  
TF2048KMG

*Automotive*

# APPLICATION PAR VEHICULES APPLICATION BY VEHICLES



MAN ..J..

TGS (40.430FDAK; 40.430FDARK;  
40.430FDARS; 40.430FDAS; 40.430FDK;  
40.430FDRK; 40.430FDRS; 40.430FDS;  
40.440FDAK-WW; 40.440FDARKWW;  
40.440FDARSWW; 40.440FDAS-WW;  
40.440FDK; 40.440FDRK; 40.440FDRS;  
40.440FDS; 40.480FDAK; 40.480FDARK;  
40.480FDARS; 40.480FDAS; 40.480FDK;  
40.480FDRK; 40.480FDRS; 40.480FDS;  
41.320FFDAK; 41.320FFDC; 41.320FFDK;  
41.320FFD-TM; 41.350FFDC; 41.350FFDC-  
TM; 41.350FFDK; 41.350FFDRC;  
41.350FFDRC-TM; 41.350FFDRK;  
41.360FFD; 41.360FFDAK; 41.360FFDC;  
41.360FFDC-TM; 41.360FFDK;  
41.360FFDRC; 41.360FFDRC-TM;  
41.360FFDRK; 41.360FFD-TM;  
41.390FFDAK; 41.390FFDC; 41.390FFDC-  
TM; 41.390FFDK; 41.390FFDRC;  
41.390FFDRC-TM; 41.390FFDRK;  
41.400FFD; 41.400FFDAK; 41.400FFDC;  
41.400FFDC-TM; 41.400FFDK;  
41.400FFDRC; 41.400FFDRCTM;  
41.400FFDRK; 41.400FFD-TM;  
41.430FFDAK; 41.430FFDC; 41.430FFDC-  
TM; 41.430FFDK; 41.430FFDRC;  
41.430FFDRC-TM; 41.430FFDRK;  
41.440FFD; 41.440FFDAK; 41.440FFDARC;  
41.440FFDC; 41.440FFDC-TM; 41.440FFDK;  
41.440FFDRC; 41.440FFDRCTM) (6x2 &  
6x2/2/4 & 6x4 & 6x6 & 8x4 & 8x4/4 & 8x6/4  
& 8x8) 10.07-

AV/F 410x183

19495

1949500764  
1949502

RIV818

W0205MA MAC9495CAST 1949578\*

TF2051  
TF2051KMG

TM

MAN  
(OPTION)

AR/R 410x223

19496

1949600764  
1949602

RIV818

W0205MA MAC9496CAST 1949678\*

TF2048  
TF2048KMG

*Automotive*



# APPLICATION PAR VEHICULES APPLICATION BY VEHICLES



## MAN ..J..

TGX (18.360FHLC; 18.360FHLS;  
18.360FHLS/M; 18.360FLC; 18.360FLLC;  
18.360FLLRC; 18.360FLLRS;  
18.360FLLRS/N; 18.360FLLS;  
18.360FLLS/N; 18.360FLLW; 18.360FLLW/N;  
18.360FLRC; 18.360FLRS; 18.360FLRS/N;  
18.360FLS; 18.360FLS/M; 18.400FHLC;  
18.400FHLS; 18.400FHLS/M; 18.400FLC;  
18.400FLLC; 18.400FLLRC; 18.400FLLRS;  
18.400FLLRS/N; 18.400FLLS;  
18.400FLLS/N; 18.400FLLW; 18.400FLLW/N;  
18.400FLRC; 18.400FLRS; 18.400FLRS/N;  
18.400FLS; 18.400FLS/M; 18.440FHLC;  
18.440FHLS; 18.440FHLS/M; 18.440FLC;  
18.440FLLC; 18.440FLLRC; 18.440FLLRS;  
18.440FLLRS/; 18.440FLLS; 18.440FLLS/N;  
18.440FLLW; 18.440FLLW/N; 18.440FLRC;  
18.440FLRS; 18.440FLRS/M;  
18.440FLRS/N; 18.440FLS; 18.440FLS/M;  
18.440FLSS; 18.440FLSS/N; 18.480FHLC;  
18.480FHLS; 18.480FHLS/M; 18.480FLC;  
18.480FLLC; 18.480FLLRC; 18.480FLLRS;  
18.480FLLRS/N; 18.480FLLS;  
18.480FLLS/N; 18.480FLLW; 18.480FLLW/N;  
18.480FLRC; 18.480FLRS; 18.480FLRS/N;  
18.480FLS; 18.480FLS/M; 18.540FHLC;  
18.540FHLS; 18.540FHLS/M; 18.540FLC;  
18.540FLLC; 18.540FLLRC; 18.540FLLRS;  
18.540FLLRS/N) (4x2 & 4x4 & 6x2 & 6x2/2/4  
& 6x4 & 8x4/4) 10.07-

AV/F 410x183

19495

1949500764  
1949502

RIV818

W0205MA MAC9495CAST 1949578\*

TF2051  
TF2051KMG

MAN  
(OPTION)

AR/R 410x223

19496

1949600764  
1949602

RIV818

W0205MA MAC9496CAST 1949678\*

TF2048  
TF2048KMG

TM

Automotive

# APPLICATION PAR VEHICULES APPLICATION BY VEHICLES



MAN ..../.

TGX (18.540FLLS; 18.540FLLW;  
18.540FLLW/N; 18.540FLRC; 18.540FLRS;  
18.540FLRS/N; 18.540FLS; 18.540FLS/M;  
18.540N; 18.680FLS; 24.360FNLLW/N;  
24.360FPLRS; 24.360FPLS;  
24.400FNLLW/N; 24.400FPLRS;  
24.400FPLS; 24.440FNLLW/N;  
24.440FPLRS; 24.440FPLS;  
24.480FNLLW/N; 24.480FPLRS;  
24.480FPLS; 24.540FNLLW/N;  
24.540FPLRS; 24.540FPLS; 26.320FNLLS;  
26.320FNLRS; 26.320FNLS; 26.360FDC;  
26.360FDC/M; 26.360FDHLC;  
26.360FDHLS; 26.360FDLC; 26.360FDLRC;  
26.360FDLRS; 26.360FDLS; 26.360FDRC;  
26.360FDRC/M; 26.360FDRS; 26.360FDS;  
26.360FNHLC; 26.360FNHLS; 26.360FNLC;  
26.360FNLLC; 26.360FNLLRC;  
26.360FNLLRS; 26.360FNLLS;  
26.360FNLLW; 26.360FNLRC;  
26.360FNLRS; 26.360FNLS; 26.360FPHLS;  
26.360FPLRS; 26.360FPLS; 26.360FVHLS;  
26.360FVLS; 26.400FDC; 26.400FDC/M;  
26.400FDHLC; 26.400FDHLS; 26.400FDLC;  
26.400FDLRC; 26.400FDLRS; 26.400FDLS;  
26.400FDRC; 26.400FDRC/M; 26.400FDRS;  
26.400FDS; 26.400FNHLC; 26.400FNHLS;  
26.400FNLC; 26.400FNLLC; 26.400FNLLRC;  
26.400FNLLRS; 26.400FNLLS;  
26.400FNLLW; 26.400FNLRC;  
26.400FNLRS; 26.400FNLS) (4x2 & 4x4 &  
6x2 & 6x2/2/4 & 6x4 & 8x4/4) 10.07-

AV/F 410x183

19495

1949500764  
1949502

RIV818

W0205MA MAC9495CAST 1949578\*

TF2051  
TF2051KMG

MAN  
(OPTION)

AR/R 410x223

19496

1949600764  
1949602

RIV818

W0205MA MAC9496CAST 1949678\*

TF2048  
TF2048KMG

Automotive

# APPLICATION PAR VEHICULES APPLICATION BY VEHICLES



**MAN ..J..**

TGX (26.400FPHLS; 26.400FPLRS;  
26.400FPLS; 26.400FVHLS; 26.400FVLS;  
26.440FDC; 26.440FDC/M; 26.440FDHLC;  
26.440FDHLS; 26.440FDK; 26.440FDLC;  
26.440FDLK; 26.440FDLRC; 26.440FDLRS;  
26.440FDLS; 26.440FDRC; 26.440FDRC/M;  
26.440FDRS; 26.440FDS; 26.440FNHLC;  
26.440FNHLS; 26.440FNLC; 26.440FNLLC;  
26.440FNLLRC; 26.440FNLLRS;  
26.440FNLLS; 26.440FNLLW;  
26.440FNLRC; 26.440FNLRS; 26.440FNLS;  
26.440FPHLS; 26.440FPLRS; 26.440FPLS;  
26.440FVHLS; 26.440FVLS; 26.480FDC;  
26.480FDC/M; 26.480FDHLC;  
26.480FDHLS; 26.480FDK; 26.480FDLC;  
26.480FDLK; 26.480FDLRC; 26.480FDLRS;  
26.480FDLS; 26.480FDRC; 26.480FDRC/M;  
26.480FDRS; 26.480FDS; 26.480FNHLC;  
26.480FNHLS; 26.480FNLC; 26.480FNLLC;  
26.480FNLLRC; 26.480FNLLRS;  
26.480FNLLS; 26.480FNLLW;  
26.480FNLRC; 26.480FNLRS; 26.480FNLS;  
26.480FPHLS; 26.480FPLRS; 26.480FPLS;  
26.480FVHLS; 26.480FVLS; 26.540FDC;  
26.540FDC/M; 26.540FDLC; 26.540FDLRC;  
26.540FDLRS; 26.540FDLS; 26.540FDRC;  
26.540FDRC/M; 26.540FDRS; 26.540FDS;  
26.540FNLC; 26.540FNLLC; 26.540FNLLRC;  
26.540FNLLS) (4x2 & 4x4 & 6x2 & 6x2/2/4 &  
6x4 & 8x4/4) 10.07-

AV/F 410x183

19495

**1949500764  
1949502**

**RIV818**

**W0205MA MAC9495CAST 1949578\***

**TF2051  
TF2051KMG**

MAN  
(OPTION)

AR/R 410x223

19496

**1949600764  
1949602**

**RIV818**

**W0205MA MAC9496CAST 1949678\***

**TF2048  
TF2048KMG**

**Gil**  
Automotive

TM

# APPLICATION PAR VEHICULES APPLICATION BY VEHICLES



MAN ..J..

TGX (26.540FNLLW; 26.540FNLRC; 26.540FNLRS;  
26.540FNLS; 26.540FPLRS; 26.540FPLS;  
26.540FVHLS; 26.540FVLS; 27.440FNS; 28.360FNLC;  
28.360FNLS; 28.400FNLC; 28.400FNLS; 28.440FDS;  
28.440FNLC; 28.440FNLS; 28.480FNLC; 28.480FNLS;  
28.540FNLC; 28.540FNLS; 32.440FDC; 32.440FDLC;  
32.440FDLRC; 32.440FDRC; 33.360FDC; 33.360FDC/M;  
33.360FDLC; 33.360FDLRC; 33.360FDLS;  
33.360FDLS/M; 33.360FDS; 33.360FDS/M; 33.400FDC;  
33.400FDC/M; 33.400FDLC; 33.400FDLRC;  
33.400FDLS; 33.400FDLS/M; 33.400FDC; 33.400FDS;  
33.400FDS/M; 33.440FDC; 33.440FDC/M; 33.440FDK;  
33.440FDLC; 33.440FDLK; 33.440FDLS;  
33.440FDLS/M; 33.440FDS; 33.440FDS/M; 33.480FDC;  
33.480FDC/M; 33.480FDK; 33.480FDLC; 33.480FDLK;  
33.480FDLRC; 33.480FDLS; 33.480FDLS/M;  
33.480FDC; 33.480FDS; 33.480FDS/M; 33.540FDC;  
33.540FDC/M; 33.540FDLC; 33.540FDLRC;  
33.540FDLS; 33.540FDLS/M; 33.540FDC; 33.540FDS;  
33.540FDS/M; 33.680FDLC; 33.680FDLS;  
35.360FDNLC; 35.400FDNLC; 35.440FDNLC;  
35.480FDNLC; 35.540FDNLC; 41.540FVDS;  
41.540FVDS; 41.680FVDS; 41.680FVDS) (4x2 &  
4x4 & 6x2 & 6x2/2/4 & 6x4 & 8x4/4) 10.07-

AV/F 410x183 19495

1949500764  
1949502

RIV818

W0205MA MAC9495CAST 1949578\*

TF2051  
TF2051KMG

MAN  
(OPTION)

AR/R 410x223 19496

1949600764  
1949602

RIV818

W0205MA MAC9496CAST 1949678\*

TF2048  
TF2048KMG

## MERCEDES

10 t (1013LP; 1013LPS) (BM 358) 01.65-

AV/F 418x100 MERCEDES 17297  
AR/R 418x120 MERCEDES 17298

1729700928 RIV815

1729800928 RIV815

11 t (1113B) (BM 358) 01.63-12.86

AV/F 418x100 MERCEDES 17297  
AR/R 418x120 MERCEDES 17298

1729700928 RIV815

1729800928 RIV815

19 t (1921L; 1921LK; 1921LS (BM 349);  
1924L; 1924LK; 1924LS (BM 346);  
1924LP; 1924LPS (BM 336) 01.69-12.73

AV/F 430x140 MERCEDES 17276  
AR/R 440x170 MERCEDES CH. -818017 19160  
AR/R 410x183 MERCEDES CH. 818018- 19495

1727601 RIV820

1916001 RIV818ST

1949500764  
1949502

RIV818

W0195ME MAC9495CAST 1949578\*

# APPLICATION PAR VEHICULES APPLICATION BY VEHICLES



## MERCEDES ../.

19 t (1924LAK; 1924LAS (BM 346) 01.69-12.73	AR/R	440x170	MERCEDES	19160	<b>1916001</b>	<b>RIV818ST</b>	
19 t (1926LP; 1926LPS (BM 363); 1932LP; 1932LPS (BM 363) 01.71-12.73	AV/F	430x140		17276	<b>1727601</b>	<b>RIV820</b>	
	AR/R	410x183	MERCEDES	19495	<b>1949500764</b> <b>1949502</b>	<b>RIV818</b>	<b>W0195ME MAC9495CAST 1949578*</b>
20 t (2019 (BM 360) (6x2) 01.73-12.75	AR/R	430x140		17276	<b>1727601</b>	<b>RIV820</b>	
20 t (2024LPS (BM 346) (6x2) 01.71-12.91	AV/F	430x140	MERCEDES	17276	<b>1727601</b>	<b>RIV820</b>	
	AR/R	440x170		19160	<b>1916001</b>	<b>RIV818ST</b>	
	AV/F	430x140	MERCEDES	17276	<b>1727601</b>	<b>RIV820</b>	
	AR/R2	430x140		17276	<b>1727601</b>	<b>RIV820</b>	
20 t (2032LPS (BM 363) (6x2) 01.73-12.91	AR/R	440x170	CH. -815016	19160	<b>1916001</b>	<b>RIV818ST</b>	
	AR/R	410x183	CH. 815017-	19495	<b>1949500764</b> <b>1949502</b>	<b>RIV818</b>	<b>W0195ME MAC9495CAST 1949578*</b>
22 t (2219LP; 2219LPK (BM 355) (6x2) 01.73-12.75	AR/R	430x140	MERCEDES	17276	<b>1727601</b>	<b>RIV820</b>	
22 t (2223LP; 2224LP (BM 335) 2232LP; 2232LPL (6x2) (BM 363) 01.67-12.91	AV/F	430x140		17276	<b>1727601</b>	<b>RIV820</b>	
	AR/R2	430x140	MERCEDES	17276	<b>1727601</b>	<b>RIV820</b>	
	AR/R	440x170		19160	<b>1916001</b>	<b>RIV818ST</b>	
22 t (2224LP; 2224LPB; 2224LPK; 2224LPS (BM 361) (6x4) 01.69-12.74	AV/F	430x140	MERCEDES	17276	<b>1727601</b>	<b>RIV820</b>	
	AR/R	440x170		19160	<b>1916001</b>	<b>RIV818ST</b>	
22 t (2226LP; 2226LPB; 2226LPK; 2226LPS (BM 363) (6x4) 01.73-12.91	AV/F	430x140	MERCEDES CH. -886511	17276	<b>1727601</b>	<b>RIV820</b>	
	AV/F	410x163	MERCEDES CH. 886512-	19494	<b>1949402</b>	<b>RIV815</b>	<b>W0195ME</b>
	AV/F	430x140		17276	<b>1727601</b>	<b>RIV820</b>	
22 t (2226LP; 2232LP (CH.886512-) (BM 363) (6x2) 01.73-12.91	AR/R2	430x140	MERCEDES	17276	<b>1727601</b>	<b>RIV820</b>	
	AR/R	410x183		19495	<b>1949500764</b> <b>1949502</b>	<b>RIV818</b>	<b>W0195ME MAC9495CAST 1949578*</b>
22 t (2232LP; 2232LPK; 2232LPS (BM 363) (6x4) 01.73-12.91	AV/F	430x140	MERCEDES CH. -886511	17276	<b>1727601</b>	<b>RIV820</b>	
	AV/F	410x163	MERCEDES CH. 886512-	19494	<b>1949402</b>	<b>RIV815</b>	<b>W0195ME</b>



# APPLICATION PAR VEHICULES APPLICATION BY VEHICLES



## MERCEDES ../.

8 t (810LP; 810LPS) (BM 353) 01.65-	AV/F 418x100	MERCEDES	17297	<b>1729700928</b>	<b>RIV815</b>
	AR/R 418x100		17297	<b>1729700928</b>	<b>RIV815</b>
9 t (911) (BM 353) 01.69-	AV/F 418x100	MERCEDES	17297	<b>1729700928</b>	<b>RIV815</b>
	AR/R 418x120		17298	<b>1729800928</b>	<b>RIV815</b>

ACTROS MP1 (1831; 1831AK; 1831K; 1831L; 1831LS; 1831S; 1835; 1835AK; 1835K; 1835L; 1835LS; 1835S; 1840; 1840AK; 1840K; 1840L; 1840LS; 1840S; 1843; 1843AK; 1843K; 1843L; 1843LS; 1843S; 1846AK; 1846LS; 1846S; 1848; 1848AK; 1848K; 1848L; 1848LS; 1848S; 1850AK; 1853; 1853L; 1853LS; 1853S; 1857L; 1857LS; 2031; 2031A; 2031AK; 2031AS; 2031K; 2031S; 2035A; 2035S; 2040; 2040AK; 2040AS; 2040S; 2043AS; 2046AS; 2048AS; 2050AS; 2053S; 2531; 2531L; 2540; 2540L; 2543; 2543L; 2548; 2548L; 2553; 2553L; 2631; 2631B; 2631K; 2631L; 2635; 2635B; 2635K; 2635L; 2635LK; 2640; 2640B; 2640K; 2640L; 2640LK; 2640LS; 2640S; 2643; 2643B; 2643K; 2643L; 2643LK; 2643LS; 2643S; 2646B; 2646LS; 2646S; 2648K; 2648L; 2648LK; 2648LS; 2648S; 2650LS; 2650S; 2653; 2653K; 2653L; 2653LK; 2653LS; 2653S; 2657K; 2657LK; 3231B; 3231K; 3235B; 3235K; 3240; 3240B; 3240K; 3243; 3243B; 3243K; 3246B; 3246K; 3331; 3331A; 3331AK; 3331AS; 3331B; 3331K; 3331S; 3335; 3335AK; 3335B; 3335K; 3335S; 3336S; 3340; 3340A; 3340AK; 3340AS; 3340B; 3340K; 3340S; 3341S; 3343; 3343AK; 3343AS; 3343K; 3343S; 3346; 3346AK; 3346AS; 3346K; 3346S; 3348; 3348AK; 3348AS; 3348K; 3348S; 3350AK; 3350AS; 3350K; 3350S; 3353; 3353AS; 3353S; 3357; 3357S; 4140AK; 4140B; 4140K; 4143AK; 4143K; 4146AK; 4146K; 4148AK; 4148K) (4x2 & 4x4 & 6x2 & 6x2/2/4 & 6x4 & 6x6 & 8x4/4 & 8X6/4 & 8x8/4) 04.96-10.02

AV/F 410x183

19495

**1949500764**  
**1949502**

**RIV818**

**W0195ME MAC9495CAST 1949578\***

**TF1069 (TOP  
VENTE)  
TF1069KMG**

MERCEDES

AR/R 410x223

19496

**1949600764**  
**1949602**

**RIV818**

**W0195ME MAC9496CAST 1949678\***

**TF1042 (TOP  
VENTE)  
TF1042KMG**

Automotive

# APPLICATION PAR VEHICULES APPLICATION BY VEHICLES



## MERCEDES ../.

ACTROS MP2 & MP3 (1831AK; 1831K; 1832; 1832AK; 1832K; 1832L; 1832LL; 1835AK; 1835K; 1836; 1836A; 1836AK; 1836K; 1836L; 1836LL; 1840AK; 1840K; 1841; 1841AK; 1841K; 1841L; 1841LL; 1844; 1844AK; 1844K; 1844L; 1844LL; 1846; 1846AK; 1846K; 1846L; 1846LL; 1848; 1848AK; 1848K; 1848L; 1848LL; 1850; 1850AK; 1850K; 1850L; 1850LL; 1851; 1851AK; 1851K; 1851L; 1851LL; 1854; 1854L; 1855; 1855L; 1855LL; 2032; 2032A; 2032AE; 2032AK; 2032AS; 2032K; 2032S; 2036; 2036A; 2036AE; 2036AK; 2036AS; 2036K; 2036S; 2040; 2041; 2041AK; 2041AS; 2041K; 2041S; 2044; 2044AK; 2044AS; 2044K; 2044S; 2046; 2046AK; 2046AS; 2046K; 2046S; 2048; 2048AK; 2048AS; 2048K; 2048S; 2050S; 2051AS; 2051S; 2054S; 2055S; 2536L; 2536LL; 2540L; 2540LL; 2543L; 2543LL) (4x2 & 4x4 & 6x2/4) 10.02-

AV/F 410x183

19495

1949500764  
1949502

RIV818

W0195ME MAC9495CAST 1949578\*

TF1069 (TOP  
VENTE)  
TF1069KMG

MERCEDES

TM

ACTROS MP2 & MP3 (2631B; 2631K; 2631L; 2631LK; 2632; 2632B; 2632K; 2632L; 2632LK; 2632LL; 2635B; 2635K; 2635L; 2635LK; 2636; 2636B; 2636K; 2636L; 2636LK; 2636LL; 2640B; 2640K; 2640L; 2640LK; 2641; 2641B; 2641K; 2641L; 2641LK; 2641LL; 2641LS; 2641S; 2643B; 2643K; 2643L; 2643LK; 2644; 2644B; 2644K; 2644L; 2644LK; 2644LL; 2644LS; 2644S; 2646; 2646B; 2646K; 2646L; 2646LK; 2646LL; 2646S; 2648; 2648B; 2648K; 2648L; 2648LK; 2648LL; 2648LS; 2648S; 2650; 2650K; 2650L; 2650LS; 2650S; 2651; 2651K; 2651L; 2651LK; 2651LL; 2651LS; 2651S; 2653K; 2653L; 2653LK; 2654; 2654K; 2654L; 2654LK; 2654LS; 2654S; 2655; 2655K; 2655L; 2655LK; 2655LL; 2655LS; 2655S; 2658K; 2658L; 2658LK; 2660L; 2660LK; 2660LL; 2732AE; 2732AKE; 2736AE; 2736AKE; 2741AE; 2741AKE; 2744AE; 2744AKE; 2746AE; 2746AKE; 2748AE; 2748AKE) (6x4 & 6x6) 10.02-

AV/F 410x183

19495

1949500764  
1949502

RIV818

W0195ME MAC9495CAST 1949578\*

TF1069 (TOP  
VENTE)  
TF1069KMG

MERCEDES

Automotive

AR/R 410x223

19496

1949600764  
1949602

RIV818

W0195ME MAC9496CAST 1949678\*

TF1042 (TOP  
VENTE)  
TF1042KMG

# APPLICATION PAR VEHICULES APPLICATION BY VEHICLES



## MERCEDES ../.

ACTROS MP2 & MP3 (3231B; 3231K;  
3232B; 3232K; 3235B; 3235K; 3236B;  
3236K; 3236L; 3240; 3240B; 3240K;  
3241; 3241B; 3241K; 3241L; 3243;  
3243B; 3243K; 3244; 3244B; 3244K;  
3246; 3246B; 3246K; 3248; 3248B;  
3248K; 3248L; 3250; 3255L; 3260L;  
3331; 3331A; 3331AK; 3331B; 3331K;  
3331S; 3332; 3332A; 3332AK; 3332AKE;  
3332AS; 3332B; 3332K; 3332S; 3335A;  
3335B; 3335K; 3336; 3336A; 3336AK;  
3336AKE; 3336AS; 3336B; 3336K;  
3336S; 3339A; 3339AK; 3339B; 3339K;  
3341; 3341A; 3341AK; 3341AKE;  
3341AS; 3341B; 3341K; 3341S; 3343AK;  
3343B; 3343K; 3344; 3344A; 3344AK;  
3344AKE; 3344AS; 3344B; 3344K;  
3344S; 3346; 3346A; 3346AK; 3346AKE;  
3346AS; 3346B; 3346K; 3346S; 3348;  
3348A; 3348AK; 3348AKE; 3348AS;  
3348B; 3348K; 3348S; 3350; 3351;  
3351A; 3351AK; 3351AS; 3351K; 3351S;  
3354; 3355; 3355A; 3355AK; 3355AS;  
3355S; 3358; 3358K; 3360; 3360A;  
3360AK; 3365A; 3550S) (6x4 & 6x6 &  
8x2/6 & 8x4/4) 10.02-

AV/F 410x183

19495

1949500764  
1949502

RIV818

W0195ME MAC9495CAST 1949578\*

TF1069 (TOP  
VENTE)  
TF1069KMG

TM

MERCEDES

AR/R 410x223

19496

1949600764  
1949602

RIV818

W0195ME MAC9496CAST 1949678\*

TF1042 (TOP  
VENTE)  
TF1042KMG

Automotive

# APPLICATION PAR VEHICULES APPLICATION BY VEHICLES



## MERCEDES ../.

ACTROS MP2 & MP3 (4036K; 4140AK;  
4140B; 4140K; 4141; 4141AK; 4141B; 4141K;  
4143AK; 4143B; 4143K; 4144AK; 4144B; 4144K;  
4146AK; 4146B; 4146K; 4148AK; 4148B; 4148K;  
4150AK; 4150K; 4151AK; 4151K; 4154S; 4155AK;  
4155K; 4160AK; 4160K; 4160S; 4165AK; 4165S;  
4841K; 4844K; 5041AK; 5041B; 5041K; 5044AK;  
5044B; 5044K; 5046AK; 5046B; 5046K; 5048AK)  
(8x2/4 & 8x4 & 8x4/4 & 8X6/4 & 8x8/4 &  
10x4/6 & 10x8/6) 10.02-

AV/F 410x183

19495

1949500764  
1949502

RIV818

W0195ME MAC9495CAST 1949578\*

TF1069 (TOP  
VENTE)  
TF1069KMG

MERCEDES

AR/R 410x223

19496

1949600764  
1949602

RIV818

W0195ME MAC9496CAST 1949678\*

TF1042 (TOP  
VENTE)  
TF1042KMG

ACTROS MP4 (1824L; 1824LS; 1827L;  
1827LS; 1830L; 1830LS; 1832L; 1832LS; 1833L;  
1833LS; 1835L; 1835LS; 1836L; 1836LS; 1840L;  
1840LS; 1842L; 1842LS; 1843L; 1843LS; 1845L;  
1845LS; 1848L; 1848LS; 1851L; 1851LS; 2024L;  
2024LS; 2027L; 2027LS; 2030L; 2030LS; 2032L;  
2032LS; 2033L; 2033LS; 2035L; 2035LS; 2036L;  
2036LS; 2040L; 2040LS; 2042L; 2042LS; 2043L;  
2043LS; 2045L; 2045LS; 2048L; 2048LS; 2051L;  
2051LS; 2427L; 2430L; 2432L; 2433L;  
2435L; 2436L; 2440L; 2442L; 2443L;  
2445L; 2448L; 2451L; 2527L; 2527LS; 2530L;  
2530LS; 2532L; 2532LS; 2533L; 2533LS; 2535L;  
2535LS; 2536L; 2536LS; 2540L; 2540LS; 2542L;  
2542LS; 2543L; 2543LS; 2545L; 2545LS; 2548L;  
2548LS; 2551L; 2551LS; 2627L; 2627LS; 2630L;  
2630LS; 2632L; 2632LS; 2633L; 2633LS; 2635L;  
2635LS; 2636L; 2636LS; 2640L; 2640LS; 2642L;  
2642LS; 2643L; 2643LS; 2645L; 2645LS; 2648L;  
2648LS; 2651L; 2651LS; 3333L; 3333LS; 3336L;  
3336LS; 3340L; 3340LS; 3342L; 3342LS; 3343L;  
3343LS; 3345L; 3345LS; 3348L; 3348LS; 3351L;  
3351LS) (4x2 & 6x2 & 6x2/4 & 6x4) 07.11-

AV/F 410x183

19495

1949500764  
1949502

RIV818

W0195ME MAC9495CAST 1949578\*

TF1069 (TOP  
VENTE)  
TF1069KMG

MERCEDES  
(OPTION)

AR/R 410x223

19496

1949600764  
1949602

RIV818

W0195ME MAC9496CAST 1949678\*

TF1042 (TOP  
VENTE)  
TF1042KMG

# APPLICATION PAR VEHICULES APPLICATION BY VEHICLES



## MERCEDES ../.

**AROCS** (1824A; 1824AK; 1824K; 1827A; 1827AK;  
1827K; 1830A; 1830AK; 1830K; 1832A; 1832AK; 1832K;  
1833A; 1833AK; 1833AS; 1833K; 1835A; 1835AK;  
1835K; 1836A; 1836AK; 1836AS; 1836K; 1840A;  
1840AK; 1840AS; 1840K; 1842A; 1842AK; 1842AS;  
1842K; 1843A; 1843AK; 1843AS; 1843K; 1845A;  
1845AK; 1845AS; 1845K; 1848A; 1848AK; 1848AS;  
1848K; 1851A; 1851AK; 1851AS; 1851K; 2024;  
2024K; 2024S; 2027; 2027K; 2027LS; 2027S; 2030;  
2030K; 2030LS; 2030S; 2032; 2032K; 2032LS; 2032S;  
2033; 2033A; 2033AK; 2033AS; 2033K; 2033LS;  
2033S; 2035; 2035K; 2035LS; 2035S; 2036;  
2036A; 2036AK; 2036AS; 2036K; 2036LS;  
2036S; 2040; 2040A; 2040AK; 2040AS;  
2040K; 2040LS; 2040S; 2042; 2042A;  
2042AK; 2042AS; 2042K; 2042LS;  
2042S; 2043; 2043A; 2043AK; 2043AS;  
2043K; 2043LS; 2043S; 2045; 2045A;  
2045AK; 2045AS; 2045K; 2045LS;  
2045S; 2048; 2048A; 2048AK; 2048AS;  
2048K; 2048LS; 2048S; 2051; 2051A;  
2051AK; 2051AS; 2051K; 2051LS;  
2051S; 2424LS) (4x2 & 4x4)  
01.13-

AV/F 410x183

19495

1949500764  
1949502

RIV818

W0195ME MAC9495CAST 1949578\*

MERCEDES  
(OPTION)

TM

AR/R 410x223

19496

1949600764  
1949602

RIV818

W0195ME MAC9496CAST 1949678\*

TF1042 (TOP  
VENTE)  
TF1042KMG

**AROCS** (2627; 2627B; 2627K; 2627L; 2627LB;  
2627LK; 2627LS; 2627S; 2630; 2630B; 2630K;  
2630L; 2630LB; 2630LK; 2630LS; 2630S; 2632;  
2632B; 2632K; 2632L; 2632LB; 2632LK;  
2632LS; 2632S; 2633; 2633B; 2633K;  
2633L; 2633LB; 2633LK; 2633LS; 2633S;  
2635; 2635B; 2635K; 2635L; 2635LB; 2635LK;  
2635LS; 2635S; 2636; 2636B; 2636K;  
2636L; 2636LB; 2636LK; 2636LS; 2636S;  
2640; 2640B; 2640K; 2640L; 2640LB;  
2640LK; 2640LS; 2640S; 2642; 2642B;  
2642K; 2642L; 2642LB; 2642LK; 2642LS;  
2642S; 2643; 2643B; 2643K; 2643L;  
2643LB; 2643LK; 2643LS; 2643S; 2645;  
2645B; 2645K; 2645L; 2645LB; 2645LK;  
2645LS; 2645S; 2648; 2648B; 2648K;  
2648L; 2648LB; 2648LK; 2648LS; 2648S;  
2651; 2651B; 2651K; 2651L; 2651LB;  
2651LK; 2651LS; 2651S) (6x4) 01.13-

AV/F 410x183

19495

1949500764  
1949502

RIV818

W0195ME MAC9495CAST 1949578\*

MERCEDES  
(OPTION)

AR/R 410x223

19496

1949600764  
1949602

RIV818

W0195ME MAC9496CAST 1949678\*



# APPLICATION PAR VEHICULES APPLICATION BY VEHICLES



## MERCEDES ../.

AROCS (3227B; 3227K; 3227LB; 3227LK;  
 3230B; 3230K; 3230LB; 3230LK; 3232B;  
 3232K; 3232LB; 3232LK; 3233B; 3233K;  
 3233LB; 3233LK; 3235B; 3235K; 3235LB;  
 3235LK; 3236B; 3236K; 3236LB; 3236LK;  
 3240B; 3240K; 3240LB; 3240LK; 3242B;  
 3242K; 3242LB; 3242LK; 3243B; 3243K;  
 3243LB; 3243LK; 3245B; 3245K; 3245LB;  
 3245LK; 3248B; 3248K; 3248LB; 3248LK;  
 3251B; 3251K; 3251LB; 3251LK; 3333;  
 3333A; 3333AK; 3333AS; 3333B; 3333K;  
 3333L; 3333LB; 3333LK; 3333LS; 3333S;  
 3336; 3336A; 3336AK; 3336AS; 3336B;  
 3336K; 3336L; 3336LB; 3336LK; 3336LS;  
 3336S; 3340; 3340A; 3340AK; 3340AS;  
 3340B; 3340K; 3340L; 3340LB; 3340LK;  
 3340LS; 3340S; 3342; 3342A; 3342AK;  
 3342AS; 3342B; 3342K; 3342L; 3342LB;  
 3342LK; 3342LS; 3342S; 3343; 3343A;  
 3343AK; 3343AS; 3343B; 3343K; 3343L;  
 3343LB; 3343LK; 3343LS; 3343S; 3345;  
 3345A; 3345AK; 3345AS; 3345B; 3345K;  
 3345L; 3345LB; 3345LK; 3345LS; 3345S;  
 3348; 3348A; 3348AK; 3348AS; 3348B;  
 3348K; 3348L; 3348LB; 3348LK; 3348LS;  
 3348S; 3351; 3351A; 3351AK; 3351AS;  
 3351B; 3351K; 3351L; 3351LB; 3351LK;  
 3351LS; 3351S; 4133; 4133AK; 4133B;  
 4133K; 4136; 4136AK; 4136B; 4136K; 4140;  
 4140AK; 4140B; 4140K; 4142; 4142AK;  
 4142B; 4142K; 4143; 4143AK; 4143B;  
 4143K; 4145; 4145AK; 4145B; 4145K; 4148;  
 4148AK; 4148B; 4148K; 4151; 4151AK;  
 4151B; 4151K) (6x4 & 6x6 & 8x4/4 & 8x6/4  
 & 8x8/4) 01.13-

AV/F	410x183	19495	<b>1949500764</b> <b>1949502</b>	<b>RIV818</b>	<b>W0195ME MAC9495CAST 1949578*</b>
					TM
		MERCEDES (OPTION)			
AR/R	410x223	19496	<b>1949600764</b> <b>1949602</b>	<b>RIV818</b>	<b>W0195ME MAC9496CAST 1949678*</b>

GIL  
Automotive

\* Kit mâchoires garnies sans accessoires / Lined brake shoes kit without fitting kit

# APPLICATION PAR VEHICULES APPLICATION BY VEHICLES



## MERCEDES ../.

ANTOS (1824L; 1824LS; 1827L; 1827LS; 1830L;  
1830LS; 1832L; 1832LS; 1833L; 1833LS; 1835L;  
1835LS; 1836L; 1836LS; 1840L; 1840LS; 1842L;  
1842LS; 1843L; 1843LS; 1845L; 1845LS; 1848L;  
1848LS; 1851L; 1851LS; 2024L; 2024LS; 2027L;  
2027LS; 2030L; 2030LS; 2032L; 2032LS; 2033L;  
2033LS; 2035L; 2035LS; 2036L; 2036LS; 2040L;  
2040LS; 2042L; 2042LS; 2043L; 2043LS; 2045L;  
2045LS; 2048L; 2048LS; 2051L; 2051LS; 2427LS;  
2430LS; 2432LS; 2433LS; 2435LS; 2436LS;  
2440LS; 2442LS; 2443LS; 2445LS; 2448LS;  
2451LS) (4x2 & 6x2 & 6x2/4 & 6x4) 07.12-

AV/F 410x183

19495

**1949500764**  
**1949502**

**RIV818**

**W0195ME MAC9495CAST 1949578\***

MERCEDES  
(OPTION)

AR/R 410x223

19496

**1949600764**  
**1949602**

**RIV818**

**W0195ME MAC9496CAST 1949678\***

ANTOS (2527L; 2527LS; 2530L; 2530LS; 2532L;  
2532LS; 2533L; 2533LS; 2535L; 2535LS; 2536L;  
2536LS; 2540L; 2540LS; 2542L; 2542LS; 2543L;  
2543LS; 2545L; 2545LS; 2548L; 2548LS; 2551L;  
2551LS; 2627L; 2627LS; 2630L; 2630LS; 2632L;  
2632LS; 2633L; 2633LS; 2635L; 2635LS; 2636L;  
2636LS; 2640L; 2640LS; 2642L; 2642LS; 2643L;  
2643LS; 2645L; 2645LS; 2648L; 2648LS; 2651L;  
2651LS; 3333L; 3333LS; 3336L; 3336LS; 3340L;  
3340LS; 3342L; 3342LS; 3343L; 3343LS; 3345L;  
3345LS; 3348L; 3348LS; 3351L; 3351LS) (4x2 &  
6x2 & 6x2/4 & 6x4) 07.12-

AV/F 410x183

19495

**1949500764**  
**1949502**

**RIV818**

**W0195ME MAC9495CAST 1949578\***

MERCEDES  
(OPTION)

AR/R 410x223

19496

**1949600764**  
**1949602**

**RIV818**

**W0195ME MAC9496CAST 1949678\***

ATEGO 1 (815K; 817K; 823K) (4x2)  
01.98-10.04

AR/R 364x130

MERITOR  
WEDGE  
BRAKE

17290/17950

**1729006**

**RIV815**

**W0195ME**

ATEGO 1 (914; 914L; 914K; 917; 917L;  
917K; 923; 923L; 923K) (4x2) 01.98-  
10.04

AR/R 364x160

MERITOR  
WEDGE

19506/19845

**1950607**

**RIV815**

**W0195ME**

AR/R 364x130

BRAKE

17290/17950

**1729006**

**RIV815**

**W0195ME**

# APPLICATION PAR VEHICULES APPLICATION BY VEHICLES



## MERCEDES ../.

ATEGO 1 (1014K; 1014; 1014L; 1017; 1017L; 1017K; 1023; 1023L; 1023K) (4x2) 01.98-10.04	AR/R	364x130	MERITOR WEDGE	17290/17950	<b>1729006</b>	<b>RIV815</b>	<b>W0195ME</b>	
	AR/R	364x160	BRAKE	19506/19845	<b>1950607</b>	<b>RIV815</b>	<b>W0195ME</b>	
ATEGO 1 (1215; 1215L; 1215K; 1217; 1217L; 1217K; 1223; 1223L; 1223K; 1225F; 1228; 1228L; 1317; 1317L; 1317K; 1323; 1323L; 1323K; 1325F; 1328; 1328F; 1328L; 1517K; 1523K; 1528K) (4x2) 01.98-10.04	AR/R	364x160	MERITOR WEDGE BRAKE	19506/19845	<b>1950607</b>	<b>RIV815</b>	<b>W0195ME</b>	
	AR/R	364x200	MERITOR WEDGE BRAKE	19505/19112	<b>1950505</b>	<b>RIV815</b>	<b>W0195ME</b>	
ATEGO 1 (1528F; 1923L; 1928L; 2223L; 2228L) (4x2) 01.98-10.04	AV/F	410x183		19495	<b>1949500764</b> <b>1949502</b>	<b>RIV818</b>	<b>W0195ME</b>	<b>MAC9495CAST 1949578*</b>
	AV/F	410x143	MERCEDES	17238	<b>1723802</b>	<b>RIV815</b>	<b>W0195ME</b>	
	AR/R	410x223		19496	<b>1949600764</b> <b>1949602</b>	<b>RIV818</b>	<b>W0195ME</b>	<b>MAC9496CAST 1949678*</b> <b>TF1042 (TOP VENTE)</b> <b>TF1042KMG</b>
ATEGO 1 (1823; 1823K; 1823L; 1823LS; 1828; 1828K; 1828L; 1828LS) (4x2) 01.98-10.04	AV/F	410x163	MERCEDES	19494	<b>1949402</b>	<b>RIV815</b>	<b>W0195ME</b>	
	AR/R	364x200	MERITOR WEDGE BRAKE	19505/19112	<b>1950505</b>	<b>RIV815</b>	<b>W0195ME</b>	
ATEGO 1 (1017A; 1225AF; 1317A; 1317AK; 1323AK; 1325AF; 1328AF; 1517A; 1517AK; 1523A; 1523AK; 1525AF; 1528AF; 1528AK) (4x4) 01.98-10.04	AV/F	410x183		19495	<b>1949500764</b> <b>1949502</b>	<b>RIV818</b>	<b>W0195ME</b>	<b>MAC9495CAST 1949578*</b>
	AR/R	410x223	MERCEDES	19496	<b>1949600764</b> <b>1949602</b>	<b>RIV818</b>	<b>W0195ME</b>	<b>MAC9496CAST 1949678*</b> <b>TF1042 (TOP VENTE)</b> <b>TF1042KMG</b>
ATEGO 1 (1225AF; 1317A; 1317AK; 1323AK; 1517A; 1517AK; 1523A; 1523AK; 1528AK) (4x4) 01.98-10.04	AV/F	410x183		19495	<b>1949500764</b> <b>1949502</b>	<b>RIV818</b>	<b>W0195ME</b>	<b>MAC9495CAST 1949578*</b>
	AR/R	410x223	MERCEDES	19496	<b>1949600764</b> <b>1949602</b>	<b>RIV818</b>	<b>W0195ME</b>	<b>MAC9496CAST 1949678*</b> <b>TF1042 (TOP VENTE)</b> <b>TF1042KMG</b>
ATEGO 1 (1823AK; 1828A; 1828AK) (4x4) 01.98-10.04	AV/F	410x183		19495	<b>1949500764</b> <b>1949502</b>	<b>RIV818</b>	<b>W0195ME</b>	<b>MAC9495CAST 1949578*</b>
	AR/R	410x223	MERCEDES	19496	<b>1949600764</b> <b>1949602</b>	<b>RIV818</b>	<b>W0195ME</b>	<b>MAC9496CAST 1949678*</b> <b>TF1042 (TOP VENTE)</b> <b>TF1042KMG</b>
ATEGO 1 (2523L; 2528L) (6x2/4 & 6x2/2/4) 01.98-10.04	AR/R	410x223	MERCEDES	19496	<b>1949600764</b> <b>1949602</b>	<b>RIV818</b>	<b>W0195ME</b>	<b>MAC9496CAST 1949678*</b> <b>TF1042 (TOP VENTE)</b> <b>TF1042KMG</b>

# APPLICATION PAR VEHICULES APPLICATION BY VEHICLES



## MERCEDES ../.

ATEGO 1 (2628; 2628B; 2628K) (6x4) 01.98-10.04	AV/F	410x183	MERCEDES	19495	<b>1949500764</b> <b>1949502</b>	<b>RIV818</b>	<b>W0195ME MAC9495CAST 1949578*</b>	
	AR/R	410x223		19496	<b>1949600764</b> <b>1949602</b>	<b>RIV818</b>	<b>W0195ME MAC9496CAST 1949678*</b>	<b>TF1042 (TOP VENTE) TF1042KMG</b>
ATEGO 1 (917AF; 1017A; 1017AK; 1023AK; 1225AF; 1317A; 1325AF; 1328AF; 1525AF; 1528AF) (4x4) 01.98-10.04	AV/F	364x130	MERITOR WEDGE	17290/17950	<b>1729006</b>	<b>RIV815</b>	<b>W0195ME</b>	
	AR/R	364x130	BRAKE	17290/17950	<b>1729006</b>	<b>RIV815</b>	<b>W0195ME</b>	
ATEGO 1 (925AF; 1017A; 1225AF; 1317A; 1317AK; 1323AK; 1325AF; 1328AF; 1517A; 1517AK; 1523A; 1523AK; 1525AF; 1528AF; 1528AK) (4x4) 01.98-10.04	AR/R	364x160	MERITOR WEDGE BRAKE	19506/19845	<b>1950607</b>	<b>RIV815</b>	<b>W0195ME</b>	TM
ATEGO 2 (1015; 1015K; 1015L; 1016; 1016K; 1016L; 1017K; 1018; 1018K; 1018L; 1022; 1022K; 1022L; 1023; 1023L; 1024; 1024K; 1024L; 1026; 1026L; 1029; 1029L) (4x2) 10.04-03.13	AR/R	364x130	MERITOR WEDGE BRAKE	17290/17950	<b>1729006</b>	<b>RIV815</b>	<b>W0195ME</b>	
ATEGO 2 (1015; 1015K; 1015L; 1016; 1016K; 1016L; 1017K; 1018; 1018K; 1018L; 1022; 1022K; 1022L; 1023; 1023L; 1024; 1024K; 1024L; 1026; 1026L; 1029; 1029L) (4x2) 10.04-03.13	AR/R	364x160	MERITOR WEDGE BRAKE	19506/19845	<b>1950607</b>	<b>RIV815</b>	<b>W0195ME</b>	
ATEGO 2 (1215; 1215L; 1216; 1216K; 1216L; 1218; 1218K; 1218L; 1222; 1222F; 1222K; 1222L; 1223; 1223L; 1224; 1224K; 1224L; 1226; 1226F; 1226L; 1228; 1228L; 1229; 1229L) (4x2) 10.04-03.13	AR/R	364x160	MERITOR WEDGE BRAKE	19506/19845	<b>1950607</b>	<b>RIV815</b>	<b>W0195ME</b>	
ATEGO 2 (1318; 1318K; 1318L; 1322; 1322F; 1322K; 1322L; 1323; 1323L; 1324; 1324K; 1324L; 1326; 1326F; 1326L; 1328; 1328L; 1329; 1329F; 1329L) (4x2) 10.04- 03.13	AR/R	364x160	MERITOR WEDGE BRAKE	19506/19845	<b>1950607</b>	<b>RIV815</b>	<b>W0195ME</b>	



# APPLICATION PAR VEHICULES APPLICATION BY VEHICLES



## MERCEDES ../.

ATEGO 2 (1518K; 1522K; 1523K; 1524K; 1526K; 1529K) (4x2) 10.04-03.13	AR/R	364x160	MERITOR WEDGE BRAKE	19506/19845	<b>1950607</b>	<b>RIV815</b>	<b>W0195ME</b>
ATEGO 2 (1522F; 1529F) (4x2) 10.04-03.13	AR/R	364x200	MERITOR WEDGE BRAKE	19505/19112	<b>1950505</b>	<b>RIV815</b>	<b>W0195ME</b>
ATEGO 2 (1618K; 1622K; 1624K) (4x2) 10.04-03.13	AR/R	364x160	MERITOR WEDGE BRAKE	19506/19845	<b>1950607</b>	<b>RIV815</b>	<b>W0195ME</b>
ATEGO 2 (1924L; 1926L; 1929L; 2224L; 2226L; 2229L) (4x2) 10.04-03.13	AR/R	364x200	MERITOR WEDGE BRAKE	19505/19112	<b>1950505</b>	<b>RIV815</b>	<b>W0195ME</b> TM
ATEGO 2 (822K; 915; 915K; 915L; 916; 916K; 916L; 918; 918K; 918L; 922; 922K; 922L; 923; 923L; 924; 924K; 924L; 926; 926L; 929; 929L) (4x2) 10.04-03.13	AR/R	364x130	MERITOR WEDGE BRAKE	17290/17950	<b>1729006</b>	<b>RIV815</b>	<b>W0195ME</b>
ATEGO 2 (915; 915K; 915L; 916; 916K; 916L; 918; 918K; 918L; 922; 922K; 922L; 923; 923L; 924; 924K; 924L; 926; 926L; 929; 929L) (4x2) 10.04-03.13	AR/R	364x160	MERITOR WEDGE BRAKE	19506/19845	<b>1950607</b>	<b>RIV815</b>	<b>W0195ME</b>
ATEGO 2 (918AF; 922AF; 926AF) (4x4) 10.04-03.13	AV/F	364x130	MERITOR	17290/17950	<b>1729006</b>	<b>RIV815</b>	<b>W0195ME</b>
	AR/R	364x130	WEDGE	17290/17950	<b>1729006</b>	<b>RIV815</b>	<b>W0195ME</b>
	AR/R	364x160	BRAKE	19506/19845	<b>1950607</b>	<b>RIV815</b>	<b>W0195ME</b>
ATEGO 2 (1017AK; 1018A; 1018AK; 1022A; 1022AK; 1023A; 1024A; 1024AK) (4x4) 10.04-03.13	AV/F	364x130	MERITOR WEDGE	17290/17950	<b>1729006</b>	<b>RIV815</b>	<b>W0195ME</b>
	AR/R	364x160	BRAKE	19506/19845	<b>1950607</b>	<b>RIV815</b>	<b>W0195ME</b>
ATEGO 2 (1017AK; 1018A; 1018AK; 1022A; 1022AK; 1023A; 1024A; 1024AK; 1118AF) (4x4) 10.04-03.13	AR/R	364x130	MERITOR WEDGE BRAKE	17290/17950	<b>1729006</b>	<b>RIV815</b>	<b>W0195ME</b>
ATEGO 2 (1018A; 1022A; 1023A; 1024A) (4x4) 10.04-03.13	AV/F	410x163	MERCEDES	19494	<b>1949402</b>	<b>RIV815</b>	<b>W0195ME</b>



# APPLICATION PAR VEHICULES APPLICATION BY VEHICLES



## MERCEDES ../.

ATEGO 2 (1222AF; 1226AF) (4x4) 10.04-03.13	AV/F	410x163	MERCEDES	19494	<b>1949402</b>	<b>RIV815</b>	<b>W0195ME</b>
	AR/R	364x130	MERITOR WEDGE BRAKE	17290/17950	<b>1729006</b>	<b>RIV815</b>	<b>W0195ME</b>
ATEGO 2 (1222AF; 1226AF; 1318A; 1318AK; 1322A; 1322AF; 1322AK; 1323A; 1324A; 1324AK; 1326AF; 1329AF) (4x4) 10.04-03.13	AR/R	364x160	MERITOR WEDGE BRAKE	19506/19845	<b>1950607</b>	<b>RIV815</b>	<b>W0195ME</b>
	AR/R	364x200	MERITOR WEDGE BRAKE	19505/19112	<b>1950505</b>	<b>RIV815</b>	<b>W0195ME</b>
ATEGO 2 (1318A; 1318AK; 1322A; 1322AF; 1322AK; 1323A; 1324A; 1324AK; 1326AF; 1329AF) (4x4) 10.04-03.13	AV/F	410x163	MERCEDES	19494	<b>1949402</b>	<b>RIV815</b>	<b>W0195ME</b>
	AR/R	364x130	MERITOR WEDGE BRAKE	17290/17950	<b>1729006</b>	<b>RIV815</b>	<b>W0195ME</b>
ATEGO 2 (1518A; 1518AK; 1522A; 1522AF; 1522AK; 1523A; 1524A; 1524AK; 1526AF; 1526AK; 1529AF; 1529AK) (4x4) 10.04-03.13	AV/F	410x163	MERCEDES	19494	<b>1949402</b>	<b>RIV815</b>	<b>W0195ME</b>
	AR/R	364x160	MERITOR WEDGE BRAKE	19506/19845	<b>1950607</b>	<b>RIV815</b>	<b>W0195ME</b>
ATEGO 2 (1518A; 1518AK; 1522A; 1522AK; 1523A; 1524A; 1524AK; 1526AK; 1529AK) (4x4) 10.04-03.13	AR/R	364x200	MERITOR WEDGE BRAKE	19505/19112	<b>1950505</b>	<b>RIV815</b>	<b>W0195ME</b>
	AR/R	364x130	MERITOR WEDGE BRAKE	17290/17950	<b>1729006</b>	<b>RIV815</b>	<b>W0195ME</b>
ATEGO 2 (1924L; 1926L; 1929L; 2224L; 2226L; 2229L) (6x2/4) 10.04-03.13	AR/R	364x200	MERITOR WEDGE BRAKE	19505/19112	<b>1950505</b>	<b>RIV815</b>	<b>W0195ME</b>
	AR/R	410x223	MERCEDES	19496	<b>1949600764</b> <b>1949602</b>	<b>RIV818</b>	<b>W0195ME MAC9496CAST 1949678*</b>
ATEGO 2 (2529L) (6x2/4) 10.04-03.13							<b>TF1042 (TOP VENTE)</b> <b>TF1042KMG</b>

# APPLICATION PAR VEHICULES APPLICATION BY VEHICLES



## MERCEDES ../.

ATEGO 3 (1223AF; 1227AF; 1230AF;  
1318A; 1318AK; 1321A; 1321AK; 1323A;  
1323AF; 1323AK; 1324A; 1324AK;  
1327AF; 1327AK; 1330AF; 1330AK;  
1518A; 1521A; 1521AK; 1523A; 1523AK;  
1524A; 1524AK; 1527AF; 1527AK;  
1530AF; 1530AK) (4x4) 04.13-

AV/F 410x163 MERCEDES 19494 **1949402 RIV815 W0195ME**

AXOR 1 (1823; 1823K; 2523K; 2628B;  
2628K) (4x2 & 6x2 & 6x4) 01.02-09.04

AV/F 410x183 19495

**1949500764 RIV818 W0195ME MAC9495CAST 1949578\***  
**1949502**

**TF1069 (TOP  
VENTE)**

MERCEDES

AR/R 410x223 19496

**1949600764 RIV818 W0195ME MAC9496CAST 1949678\***  
**1949602**

**TF1069KMG  
TF1042 (TOP  
VENTE)**

**TF1042KMG**

AXOR 2 (1823; 1823L; 1823LL; 1824;  
1824L; 1824LL; 1826; 1826L; 1826LL;  
1828; 1828L; 1828LL; 1829; 1829L;  
1829LL; 1833; 1833L; 1833LL) (4x2)  
10.04-

AV/F 410x143 17238

**1723802 RIV815 W0195ME**

AV/F 410x183 19495

**1949500764 RIV818 W0195ME MAC9495CAST 1949578\***  
**1949502**

**TF1069  
TF1069KMG  
(TOP VENTE)**

MERCEDES

AR/R 410x223 19496

**1949600764 RIV818 W0195ME MAC9496CAST 1949678\***  
**1949602**

**TF1042  
TF1042KMG  
(TOP VENTE)**

AXOR 2 (1823K; 1823KL; 1823LS; 1824A; 1824K;  
1824LS; 1826AK; 1826K; 1826LS; 1828A; 1828AK;  
1828K; 1828KL; 1828LS; 1829A; 1829AK; 1829K;  
1829LS; 1833A; 1833AK; 1833K; 1833LS; 2528K;  
2528KL; 2535S; 2535LS; 2540S; 2541S; 2540LS;  
2541LS; 2628; 2629; 2628B; 2629B; 2628K; 2629K;  
2633; 2633B; 2633K) (4x2 & 4x4 & 6x4) 10.04-

AV/F 410x183 19495

**1949500764 RIV818 W0195ME MAC9495CAST 1949578\***  
**1949502**

**TF1069  
TF1069KMG  
(TOP VENTE)**

MERCEDES

AR/R 410x223 19496

**1949600764 RIV818 W0195ME MAC9496CAST 1949678\***  
**1949602**

**TF1042  
TF1042KMG  
(TOP VENTE)**

AXOR 2 (3028B; 3028K; 3131; 3131K; 3335;  
3335B; 3335K; 3335S; 3340; 3340B; 3340K;  
3340S; 3341; 3341K; 3341S; 3343; 3343B; 3343K;  
3343S; 3344; 3344K; 3344S; 3535K; 4135B;  
4135K; 4140; 4140B; 4140K; 4141K; 4143B;  
4143K; 4143K; 4144; 4144K) (6x4 & 8x4/4)  
10.04-

AV/F 410x183 19495

**1949500764 RIV818 W0195ME MAC9495CAST 1949578\***  
**1949502**

**TF1069  
TF1069KMG  
(TOP VENTE)**

MERCEDES

AR/R 410x223 19496

**1949600764 RIV818 W0195ME MAC9496CAST 1949678\***  
**1949602**

**TF1042  
TF1042KMG  
(TOP VENTE)**

# APPLICATION PAR VEHICULES APPLICATION BY VEHICLES



## MERCEDES ../.

CONECTO (O 345) (C; H; M; UE) (4x2 & 6x2) 11.01-	AV/F	410x160	PERROT	19849/19850	<b>1984906</b>	<b>RIV1018</b>	
	AR/R	410x220		19848/847/699	<b>1969905</b>	<b>RIV1018</b>	
LK/LN2 (1114; 1117; 1120; 1314; 1317; 1320; 1324; 1114A; 1114AK; 1114K; 1114L; 1114S; 1117A; 1117AK; 1117K; 1117L; 1117LO; 1117LS; 1117O; 1117S; 1120AF; 1120F; 1120L; 1120LO; 1120LS; 1120O; 1120S; 1124AF; 1124F; 1214A; 1217KO; 1314AK; 1314K; 1314KO; 1317AK; 1317K; 1317KO; 1317L; 1317LS; 1317S; 1320AK; 1320L; 1320LS; 1320S; 1324L; 1324LS; 1324S) (4x2 & 4x4) 01/.84-12.98	AV/F	364x160	MERITOR WEDGE BRAKE	19506/19845	<b>1950607</b>	<b>RIV815</b>	<b>W0195ME</b>
	AR/R	364x160		19506/19845	<b>1950607</b>	<b>RIV815</b>	<b>W0195ME</b>
LK/LN2 (1514; 1514K; 1514L; 1517; 1517K; 1517L; 1520; 1520L; 1524; 1524L; 1720; 1724; 2020L; 2024L) (4x2) 01.84-12.98	AV/F	364x200	MERITOR WEDGE BRAKE	19505/19112	<b>1950505</b>	<b>RIV815</b>	<b>W0195ME</b>
	AR/R	364x200		19505/19112	<b>1950505</b>	<b>RIV815</b>	<b>W0195ME</b>
LK/LN2 (709; 709K; 711) (4x2) 01.84-12.98	AV/F	308x090	MERITOR WEDGE BRAKE	15162	<b>1516203</b>	<b>RIV812</b>	<b>W0195ME</b>
	AR/R	308x090		15162	<b>1516203</b>	<b>RIV812</b>	<b>W0195ME</b>
LK/LN2 (809; 809K; 811; 811K; 814LO; 814O; 814LO; 817LO; 817O; 817; 817LO) (4x2) 01.84-12.98	AV/F	308x120	MERITOR WEDGE BRAKE	17280	<b>1728006</b>	<b>RIV815</b>	<b>W0195ME</b>
	AR/R	308x120		17280	<b>1728006</b>	<b>RIV815</b>	<b>W0195ME</b>
LK/LN2 (814; 814F; 814K; 814K; 814L; 814S; 817; 817F; 817K; 817L; 817LS; 817S) (4x2) 01.84-12.98	AV/F	308x120	MERITOR WEDGE BRAKE	17280	<b>1728006</b>	<b>RIV815</b>	<b>W0195ME</b>
	AR/R	308x135		17280	<b>1728705</b>	<b>RIV815</b>	<b>W0195ME</b>
LK/LN2 (914; 914K; 914KO; 917; 917K; 917KO) (4x2) 01.84-12.98	AV/F	308x135	MERITOR WEDGE BRAKE	17280	<b>1728705</b>	<b>RIV815</b>	<b>W0195ME</b>
	AR/R	308x135		17280	<b>1728705</b>	<b>RIV815</b>	<b>W0195ME</b>
LK/LN2 (914AK; 917AK) (4x4) 01.84-12.98	AV/F	364x130	MERITOR WEDGE BRAKE	17290/17950	<b>1729006</b>	<b>RIV815</b>	<b>W0195ME</b>
	AR/R	364x130		17290/17950	<b>1729006</b>	<b>RIV815</b>	<b>W0195ME</b>

# APPLICATION PAR VEHICULES APPLICATION BY VEHICLES



## MERCEDES ../.

MK (1222; 1222F; 1222LS; 1222S; 1224F; 1417; 1417A; 1417AK; 1417K; 1420; 1420AK; 1420L; 1420LS; 1422; 1422F; 1422L; 1422LS; 1422S; 1424; 1424L; 1424LS; 1424S; 1426LS; 1426S; 1427; 1427F; 1427L; 1427LS; 1427S; 1429AF; 1431; 1431F; 1624S; 1627AF) (4x2 & 4x4) 12.87-09.96	AV/F	410x163	19494	1949402	RIV815	W0195ME			
			MERCEDES						
	AR/R	410x163	19494	1949402	RIV815	W0195ME			
MK (1222A; 1222AF; 1222LA; 1224AF; 1226AF; 1227A; 1227AF; 1227LAF; 1231AF; 1234AF; 1717AK; 1722AK; 1827AK; 1427F; 1827K; 1831K) (4x2 & 4x4) 12.87-09.96	AV/F	410x163	19494	1949402	RIV815	W0195ME			
			MERCEDES						
	AR/R	410x223	19496	1949600764 1949602	RIV818	W0195ME MAC9496CAST	1949678*	TF1042 (TOP VENTE) TF1042KMG	
MK (1717; 1717L; 1717K; 1720; 1720L; 1720S; 1722; 1722L; 1722LL; 1722K; 1722S; 1726; 1726L; 1726LL; 1726K; 1726S; 1726LS; 1727L; 1729; 1729LS; 1733; 1733L; 1734L; 1733S; 1733LS; 1926; 1820; 1820L; 1824; 1824L; 1827; 1827L; 1827S; 1827LS; 1831; 1831L; 1831S; 1831LS; 1834; 1834L; 1834S; 1834LS; 2422; 2422L; 2426; 2426L; 2431; 2433S; 2524L; 2527L; 2531L; 3231L) (4x2 & 4x4) 12.87-09.96	AV/F	410x183	19495	1949500764 1949502	RIV818	W0195ME MAC9495CAST	1949578*	TF1069 (TOP VENTE) TF1069KMG	
			MERCEDES						
	AR/R	410x223	19496	1949600764 1949602	RIV818	W0195ME MAC9496CAST	1949678*	TF1042 (TOP VENTE) TF1042KMG	
MK (2320L; 2327L; 2420; 2420L; 2422; 2422B; 2422K; 2422L; 2426; 2426B; 2426L; 2427B; 2427L; 2429; 2431; 2433K; 2433L; 2433LS; 2433S; 2522L; 2524; 2524K; 2524L; 2527; 2527B; 2527K; 2527L; 2531; 2531B; 2531L; 2534K; 2534L; 2534LS; 2534S) (4x2 & 6x2/4 & 6x2/2/4 & 6x4) 12.87-09.96	AV/F	410x183	19495	1949500764 1949502	RIV818	W0195ME MAC9495CAST	1949578*	TF1069 (TOP VENTE) TF1069KMG	
			MERCEDES						
	AR/R	410x183	19495	1949500764 1949502	RIV818	W0195ME MAC9495CAST	1949578*	TF1069 (TOP VENTE) TF1069KMG	
MK (2433; 2433L; 2434L; 2534; 2534L) (6x2) 12.87-09.96	AV/F	410x183	19495	1949500764 1949502	RIV818	W0195ME MAC9495CAST	1949578*	TF1069 (TOP VENTE) TF1069KMG	
			MERCEDES						
	AR/R2	410x163	19494	1949402	RIV815	W0195ME			
	AR/R	410x223	19496	1949600764 1949602	RIV818	W0195ME MAC9496CAST	1949678*		



# APPLICATION PAR VEHICULES APPLICATION BY VEHICLES



## MERCEDES ../.

NG (1013; 1013A; 1013AK; 1013K; 1013KO;  
1013S; 1017; 1017A; 1017AF; 1017AK;  
1017AS; 1017F; 1017K; 1017KO; 1017LS;  
1017S; 1019AF; 1019F; 1213; 1213A;  
1213AK; 1213AKO; 1213AS; 1213K;  
1213KO; 1213S; 1217; 1217A; 1217AK;  
1217AS; 1217K; 1217KO; 1217L; 1217LS;  
1217S) (4x2 & 4x4) 08.73-09.96

AV/F 410x123 17682 **1768202** **RIV815**

MERCEDES

AR/R 410x123 17682 **1768202** **RIV815**

NG (1217CA; 1219; 1219A; 1219AF;  
1219AK; 1219F; 1219K; 1219S; 1222;  
1222A; 1222AF; 1222F; 1222S; 1225AF;  
1228AF; 1413; 1413A; 1413AK;  
1413AKO; 1413K; 1413KO; 1414;  
1414K; 1417; 1417A; 1417AK; 1417AKO;  
1417C; 1417CA; 1417CAK; 1417CK;  
1417K; 1417KO; 1419; 1419AK; 1419AS;  
1419C; 1419CL; 1419F; 1419K; 1419L;  
1419LS; 1419S; 1420; 1420L; 1420LS;  
1422; 1422F; 1422L; 1422LS; 1422S;  
1424; 1424F; 1424K; 1424L; 1424LS;  
1424S; 1425AF; 1425LS; 1425S;  
1428AF; 1428F; 1429AF; 1814) (4x2 &  
4x4) 08.73-09.96

AV/F 410x143 17238 **1723802** **RIV815** **W0195ME**

MERCEDES

AR/R 410x143 17238 **1723802** **RIV815** **W0195ME**

TM

Automotive



# APPLICATION PAR VEHICULES APPLICATION BY VEHICLES



## MERCEDES ../.

NG (1613; 1613KO; 1613L; 1617; 1617L;  
1619; 1619AK; 1619K; 1619KO; 1619L;  
1619S; 1624; 1624K; 1624L; 1624LS;  
1624S; 1626; 1626AK; 1626AS; 1626K;  
1626L; 1626LS; 1626S; 1628; 1628L;  
1628LS; 1628S; 1632; 1632AK; 1632AS;  
1632K; 1632L; 1632LS; 1632S; 1633;  
1633L; 1633LS; 1633S; 1635; 1635K;  
1635L; 1635LS; 1635S; 1636; 1636L;  
1636LS; 1636S; 1638; 1638LS; 1638S;  
1644; 1644LS; 1644S) (4x2 & 4x4) 08.73-  
09.96

AV/F 410x163

19494

1949402

RIV815

W0195ME

MERCEDES

NG (1613K; 1614; 1614K; 1617AK; 1617K; 1617KO;  
1617S; 1620; 1620L; 1622; 1622AK; 1622K; 1622L;  
1622S; 1628A; 2028A; 2036A; 2219; 2219K; 2219KO;  
2219L; 2224; 2224B; 2224K; 2224S; 2226; 2226LS;  
2226S; 2228; 2228S; 2232; 2232LS; 2232S; 2233;  
2233S; 2235K; 2236S; 2238S; 2244S; 2422K; 2438;  
2528A; 2528AK; 2626; 2626A; 2626AB; 2626AK;  
2626AS; 2626B; 2626K; 2626S; 2628; 2628A; 2628AK;  
2628AS; 2628B; 2628K; 2628S; 2632; 2632A; 2632AK;  
2632AS; 2632K; 2632S; 2633; 2633S; 2635; 2635A;  
2635AK; 2635AS; 2635S; 2636; 2636A; 2636AK;  
2636AS; 2636K; 2636S; 2638; 2638S; 2644; 2644S;  
3025B; 3025K; 3028; 3028B; 3028K; 3033; 3036; 3228K;  
3235; 3250A; 3328; 3328B; 3328K; 3333; 3333B; 3333K;  
3335; 3335A; 3336; 3336A; 3336AK; 3336B; 3336K;  
3336S; 3338; 3528; 3528B; 3528K; 3536K; 3544; 3544S)  
(4x2 & 4x4 & 6x2/2/4 & 6x4 & 6x6 &  
8x4/4 & 8x4 & 8X6/4 & 8x8) 08.73-09.96

AV/F 410x163

19494

1949402

RIV815

W0195ME

MERCEDES

AR/R 410x163

19494

1949402

RIV815

W0195ME

NG (1617C; 1617CAK; 1617CK; 1617CL;  
1617CS; 1619C; 1619CL; 1625AK) (4x2 &  
4x4) 08.73-09.96

AV/F 410x143

17238

1723802

RIV815

W0195ME

MERCEDES

AR/R 410x163

19494

1949402

RIV815

W0195ME

TF1069 (TOP  
VENTE)  
TF1069KMG

Automotive

# APPLICATION PAR VEHICULES APPLICATION BY VEHICLES



## MERCEDES ../.

NG (1625; 1625K; 1625L; 1625LS; 1625S; 1719; 1719AK; 1719K; 1719S; 1919; 1919AK; 1919K; 1919S; 1922; 1922AK; 1922K; 1922S; 1926; 1926A; 1926AK; 1926AS; 1926K; 1926LS; 1926S; 1928; 1928A; 1928AK; 1928AS; 1928K; 1928L; 1928LS; 1928S; 1932; 1932A; 1932AK; 1932AS; 1932K; 1932LS; 1932S; 1933; 1933LS; 1933S; 1935; 1935AK; 1935AS; 1935LS; 1935S; 1936; 1936AK; 1936AS; 1936K; 1936LS; 1936S; 1938; 1938LS; 1938S; 1944; 1944LS; 1944S; 2025S; 2026S; 2028LS; 2032S; 2033LS; 2035LS; 2035S; 2036LS; 2220; 2220L; 2433; 2438L; 2536AK; 3250AF) (4x2 & 4x4 & 6x2/4 & 6x6) 08.73-09.96	AV/F 410x163	MERCEDES	19494	1949402	RIV815	W0195ME	
	AR/R 410x183		19495	1949500764 1949502	RIV818	W0195ME MAC9495CAST	1949578* TF1069 (TOP VENTE) TF1069KMG
NG (2219C; 2219CL; 2222; 2222L) (6x2/2/4 & 6x4) 08.73-09.96	AV/F 410x163	MERCEDES	19494	1949402	RIV815	W0195ME	
	AR/R2 410x143		17238	1723802	RIV815	W0195ME	
	AR/R 410x163		19494	1949402	RIV815	W0195ME	
NG (2222B; 2222K; 2222L; 2225; 2225B; 2225L; 2425; 2433; 2444LS; 3025B; 3228B) (4x2 & 6x4 & 8x4/4) 08.73-09.96	AV/F 410x163	MERCEDES	19494	1949402	RIV815	W0195ME	
	AR/R 410x143		17238	1723802	RIV815	W0195ME	
NG (2226; 2226L; 2228; 2228L; 2232; 2232L; 2233; 2233L; 2235; 2235L; 2235S; 2235LS; 2236; 2238; 2238L; 2244; 2244L) (6x2) 08.73-09.96	AV/F 410x163	MERCEDES	19494	1949402	RIV815	W0195ME	
	AR/R2 410x163		19494	1949402	RIV815	W0195ME	
	AR/R 410x183		19495	1949500764 1949502	RIV818	W0195ME MAC9495CAST	1949578*
NG (2422; 2428; 2444LS) (4x2) 08.73-09.96	AV/F 410x163	MERCEDES	19494	1949402	RIV815	W0195ME	
	AR/R 410x163		19494	1949402	RIV815	W0195ME	
	AR/R 410x183	MERCEDES (OPTION)	19495	1949500764 1949502	RIV818	W0195ME MAC9495CAST	1949578*
NG (3038; 3535AK; 3535K; 3836AK; 3850A) (6x4 & 6x6 & 8x4/4 & 8x8/4) 08.73-09.96	AV/F 410x183	MERCEDES	19495	1949500764 1949502	RIV818	W0195ME MAC9495CAST	1949578* TF1069 (TOP VENTE) TF1069KMG
	AR/R 410x183		19495	1949500764 1949502	RIV818	W0195ME MAC9495CAST	1949578*

# APPLICATION PAR VEHICULES APPLICATION BY VEHICLES



## MERCEDES ../.

SK (1728; 1729; 1729K; 1729L; 1729LS; 1729S; 1735AK; 1735K; 1748; 1748L; 1748LS; 1748S; 1831K; 1831LS; 1831S; 2031K; 2429; 2429K; 2429S; 2435; 2435K; 2435S; 2448; 2448S; 2538; 2538K; 2538LK; 2544; 2544S; 2550; 2550K; 2550LS; 2550S; 2553LS; 2553S; 2629; 2629B; 2629K; 2629S; 2631; 2631B; 2631K; 2631S; 2634; 2634S; 2635; 2635K; 2635S; 2638; 2638K; 2638L; 2638S; 2644; 2644L; 2644S; 2648S; 2650; 2650K; 2650L; 2650S; 2653; 2653L; 3050; 3053S; 3229; 3229B; 3229K; 3233B; 3233K; 3234B; 3234K; 3235; 3235K; 3235L; 3238; 3238L; 3244; 3244L; 3248; 3250L; 3253; 3253L; 3255; 3529; 3534K; 3535; 3535AK; 3535B; 3535K; 3535S; 3538; 3538AK; 3538K; 3544; 3544K; 3548; 3550; 3550K; 3550S; 3553; 3553L; 3553S; 4050A; 4844; 4844K; 4850A) (4x2 & 4x4 & 6x4 & 6x2 & 8x4 & 8x4/4 & 8x8/4) 07.87-09.96	AV/F	410x183	19495	<b>1949500764</b> <b>1949502</b>	<b>RIV818</b>	<b>W0195ME MAC9495CAST</b>	<b>1949578*</b>	<b>TF1069 (TOP VENTE) TF1069KMG</b>
			MERCEDES					
AR/R	410x183	19495	<b>1949500764</b> <b>1949502</b>	<b>RIV818</b>	<b>W0195ME MAC9495CAST</b>	<b>1949578*</b>		
SK (1729AK; 1831AK; 1831K; 1834AK; 1838AK; 1838K; 1850K; 1850LAS; 1853AK; 1922AK; 1929A; 1929AK; 1929AS; 1935AK; 1935AS; 1945AK) (4x2 & 4x4) 07.87-09.96	AV/F	410x163	19494	<b>1949402</b>	<b>RIV815</b>	<b>W0195ME</b>		
			MERCEDES					
AR/R	410x223	19496	<b>1949600764</b> <b>1949602</b>	<b>RIV818</b>	<b>W0195ME MAC9496CAST</b>	<b>1949678*</b>	<b>TF1042 (TOP VENTE) TF1042KMG</b>	
SK (1735; 1735L; 1735LS; 1735S; 1831; 1831L; 1831LS; 1831S; 1834; 1834L; 1834LS; 1834S; 1838; 1838L; 1838LS; 1838S; 1840LS; 1844; 1844L; 1844LS; 1844S; 1850; 1850L; 1850LS; 1850S; 1853; 1853L; 1853LS; 1853S; 1922; 1922K; 1922S; 1929; 1929K; 1929L; 1929S; 1935; 1935K; 1935S; 1948; 2422L; 2429; 2429L; 2435; 2531; 2531L; 2534; 2534L; 2544; 2544L; 2550) (4x2 & 4x4) 07.87-09.96	AV/F	410x183	19495	<b>1949500764</b> <b>1949502</b>	<b>RIV818</b>	<b>W0195ME MAC9495CAST</b>	<b>1949578*</b>	<b>TF1069 (TOP VENTE) TF1069KMG</b>
			MERCEDES					
AR/R	410x223	19496	<b>1949600764</b> <b>1949602</b>	<b>RIV818</b>	<b>W0195ME MAC9496CAST</b>	<b>1949678*</b>	<b>TF1042 (TOP VENTE) TF1042KMG</b>	

Automotive

# APPLICATION PAR VEHICULES APPLICATION BY VEHICLES



## MERCEDES ../.

SK (2024; 2024AK; 2024K; 2027AK; 2031; 2031A; 2031AS; 2031K; 2031S; 2038; 2038AS; 2038S; 2044; 2044AS; 2044S; 2050; 2050S; 2055AF; 2629A; 2629AK; 2629AS; 2631A; 2631AK; 2631AS; 2634AK; 2635A; 2635AK; 2635AS; 2638A; 2638AK; 2638AS; 2638LA; 2644A; 2645AS; 2648AK; 2648AS; 2650A; 2650AK; 2650AS; 2653AK; 3236A; 3544AK) (4x2 & 4x4 & 6x6 & 8x8) 07.87-09.96	AV/F	410x163		19494	<b>1949402</b>	<b>RIV815</b>	<b>W0195ME</b>		
			MERCEDES						
	AR/R	410x183		19495	<b>1949500764</b> <b>1949502</b>	<b>RIV818</b>	<b>W0195ME</b>	<b>MAC9495CAST</b>	<b>1949578*</b>
SK (2429; 2429L; 2434L; 2435; 2435L; 2435LS; 2448; 2448L; 2538; 2538L; 2544; 2544L; 2544LS; 2544S; 2550; 2550L; 2553; 2553L; 3238L) (6x6) 07.87-09.96	AV/F	410x183		19495	<b>1949500764</b> <b>1949502</b>	<b>RIV818</b>	<b>W0195ME</b>	<b>MAC9495CAST</b>	<b>1949578*</b>
	AR/R2	410x163	MERCEDES	19494	<b>1949402</b>	<b>RIV815</b>	<b>W0195ME</b>		
	AR/R	410x223		19496	<b>1949600764</b> <b>1949602</b>	<b>RIV818</b>	<b>W0195ME</b>	<b>MAC9496CAST</b>	<b>1949678*</b>
SK (2429LS; 2429S; 2435LS; 2435S; 2448LS; 2538LS; 2538S; 2544LS) (6x2/4) 07.87-09.96	AV/F	410x183		19495	<b>1949500764</b> <b>1949502</b>	<b>RIV818</b>	<b>W0195ME</b>	<b>MAC9495CAST</b>	<b>1949578*</b>
	AR/R2	410x183	MERCEDES	19495	<b>1949500764</b> <b>1949502</b>	<b>RIV818</b>	<b>W0195ME</b>	<b>MAC9495CAST</b>	<b>1949578*</b>
	AR/R	410x223		19496	<b>1949600764</b> <b>1949602</b>	<b>RIV818</b>	<b>W0195ME</b>	<b>MAC9496CAST</b>	<b>1949678*</b>
T1 (601) (207D; 208; 208D; 209D; 210; 210D) 04.77-02.96	AR/R	230x035	PERROT	11019/025/582	<b>1101901</b>	<b>RIV410</b>	<b>W0220ME</b>	<b>MF0572</b>	<b>TF0220</b>
T1 (602) (307D; 308D; 309D; 310; 310D) 04.77-02.96	AR/R	260x055	PERROT	13020/13532	<b>1302001</b>	<b>RIV410</b>	<b>W0220ME</b>		<b>TF0221</b>
T1 (611) (407D; 409D; 410; 410D; 507D; 508D) 04.1.70-02.96	AR/R	270x080	PERROT	15030/15742	<b>1503002</b>	<b>RIV510</b>	<b>W0220ME</b>		
ZETROS (1833A; 2733A) (4x4 & 6x6) 09.08-	AV/F	410x183		19495	<b>1949500764</b> <b>1949502</b>	<b>RIV818</b>	<b>W0195ME</b>	<b>MAC9495CAST</b>	<b>1949578*</b>
	AR/R	410x223	MERCEDES	19496	<b>1949600764</b> <b>1949602</b>	<b>RIV818</b>	<b>W0195ME</b>	<b>MAC9496CAST</b>	<b>1949678*</b>
O301 (4x2) 02.86-05.87	AV/F	364x160	MERITOR WEDGE	19506/19845	<b>1950607</b>	<b>RIV815</b>	<b>W0195ME</b>		
	AR/R	364x160	BRAKE	19506/19845	<b>1950607</b>	<b>RIV815</b>	<b>W0195ME</b>		
O304 (4x2) 08.92-	AV/F	410x163	MERCEDES	19579/19706	<b>1970601</b>	<b>RIV818</b>	<b>W0195ME</b>		
	AR/R	410x222		19581/19707	<b>1970701</b>	<b>RIV818</b>	<b>W0195ME</b>		



# APPLICATION PAR VEHICULES APPLICATION BY VEHICLES



## MERCEDES ../.

O305 (O305G; O305ST) (4x2 & 6x2) 01.69-05.87	AV/F 410x163	MERCEDES	19579/19706	<b>1970601</b>	<b>RIV818</b>	<b>W0195ME</b>	
	AR/R 410x222		19581/19707	<b>1970701</b>	<b>RIV818</b>	<b>W0195ME</b>	<b>TF1042</b>
O307 (4x2) 04.73-08.87	AV/F 410x163	MERCEDES	19579/19706	<b>1970601</b>	<b>RIV818</b>	<b>W0195ME</b>	
	AR/R 410x222		19581/19707	<b>1970701</b>	<b>RIV818</b>	<b>W0195ME</b>	<b>TF1042</b>
O309 (O309B; O309D) 01.68-02.89	AV/F 300x070	MERCEDES	15349/15350	<b>15349006510</b>	<b>RIV615T11</b>		
	AR/R 300x070		15349/15350	<b>15349006510</b>	<b>RIV615T11</b>		
O330 (4x2) 01.90-	AV/F 410x163	MERCEDES	19579/19706	<b>1970601</b>	<b>RIV818</b>	<b>W0195ME</b>	
	AR/R 410x222		19581/19707	<b>1970701</b>	<b>RIV818</b>	<b>W0195ME</b>	
O402 (4x2) 02.86-12.91	AV/F 364x160	MERITOR WEDGE	19506/19845	<b>1950607</b>	<b>RIV815</b>	<b>W0195ME</b>	
	AR/R 364x160	BRAKE	19506/19845	<b>1950607</b>	<b>RIV815</b>	<b>W0195ME</b>	
O405 (O405G; O405GN; O405GNDE; O405GNTD; O405GT; O405GTD; O405GTZ; O405N; O405NH; O405ST) (6x2) 12.84-	AV/F 410x163	MERCEDES	19579/19706	<b>1970601</b>	<b>RIV818</b>	<b>W0195ME</b>	
	AR/R 410x222		19581/19707	<b>1970701</b>	<b>RIV818</b>	<b>W0195ME</b>	<b>TF1042</b>
O407 (4x2) 03.87-11.01	AV/F 410x163	MERCEDES	19579/19706	<b>1970601</b>	<b>RIV818</b>	<b>W0195ME</b>	
	AR/R 410x222		19581/19707	<b>1970701</b>	<b>RIV818</b>	<b>W0195ME</b>	
O408 (4x2) 01.91-12.98	AV/F 410x163	MERCEDES	19579/19706	<b>1970601</b>	<b>RIV818</b>	<b>W0195ME</b>	
	AR/R 410x222		19581/19707	<b>1970701</b>	<b>RIV818</b>	<b>W0195ME</b>	
O550	AR/R 410x220	PERROT	19848/847/699	<b>1969905</b>	<b>RIV1018</b>		
O814 (O814; O814L) (4x2) 01.84-	AV/F 308x105	MERITOR WEDGE	17278	<b>1727806</b>	<b>RIV815</b>	<b>W0195ME</b>	
	AR/R 308x105	BRAKE	17278	<b>1727806</b>	<b>RIV815</b>	<b>W0195ME</b>	
UNIMOG	AR/R 410x103	MERCEDES	17739	<b>1773900934</b>	<b>RIV818</b>		
UNIMOG (U 2400TG) (4x4) 07.93-	AR/R 410x223	MERCEDES	19496	<b>1949600764</b> <b>1949602</b>	<b>RIV818</b>	<b>W0195ME</b>	<b>MAC9496CAST 1949678*</b>

## MOL

MOL (AF52; AF53)	420x200	MOL	19251/19252	<b>1925100934</b>	<b>RIV815</b>		
------------------	---------	-----	-------------	-------------------	---------------	--	--

## NISSAN

ECO-T	AR/R 310x100	NAPCO	17946	<b>1794600929</b>	<b>RIV515</b>		
ECO-T	AR/R 310x100		17946/17945	<b>1794500929</b>	<b>RIV515</b>		



# APPLICATION PAR VEHICULES APPLICATION BY VEHICLES



## RENAULT Trucks

AE (AE380; AE380.19TD; AE380.22TD; AE385ti; AE500; AE500.19TD; AE500.22TD) 01.90-12.92	AR/R	414x175 RT	19935	<b>1993500764</b> <b>1993502</b>	<b>RIV818</b>	<b>MAC9935</b>	<b>1993580</b>	<b>TF6808</b>
C series (C210.19; C230ti.19; C260.19; C260.19T; C260.26; C280.19; C290.19; C290.19/T; C290.26; C300.19; C300.24; C300.26; C340.19/T; C340ti.17/T; C340ti.19/T) (4x2 & 4x4 & 6x4) 01.89-	AV/F	414x150	19934	<b>1993400764</b> <b>1993402</b>	<b>RIV818</b>	<b>MAC9934</b>	<b>1993480</b>	
		RT						
	AR/R	414x175	19935	<b>1993500764</b> <b>1993502</b>	<b>RIV818</b>	<b>MAC9935</b>	<b>1993580</b>	<b>TF6808</b>
C series (C210.19; C260.19; C260.19T; C260.26; C280.19; C290.19; C290.19/T; C290.26; C300.19; C300.26) (4x2 & 4x4 & 6x4) 10.82- 012.88	AV/F	414x150	19049/19199	<b>1904902</b>	<b>RIV615T11</b>	<b>MAC9049/199</b>		
		BENDIX						
	AR/R	414x175	19463	<b>1946301</b>	<b>RIV818</b>			
CBH (CBH 280.26; CBH 280.34; CBH 320.26; CBH 320.26/T; CBH 320.34; CBH 320.34/T; CBH 350.26; CBH 385.24; CBH 385.26; CBH 385.26/T; CBH 385.34; CBH 385.34/T) (6x6) 04.86-10.98	AV/F	414x150	19934	<b>1993400764</b> <b>1993402</b>	<b>RIV818</b>	<b>MAC9934</b>	<b>1993480</b>	
		RT						
	AR/R	414x175	19935	<b>1993500764</b> <b>1993502</b>	<b>RIV818</b>	<b>MAC9935</b>	<b>1993580</b>	
CBH (CBH280.26; CBH280.26/T; CBH280.34; CBH280.34/T; CBH320.24; CBH320.24/T; CBH320.26; CBH320.26/T; CBH320.34; CBH320.34/T; CBH340.19; CBH340.19/T; CBH340.26; CBH340.26/T; CBH350.26; CBH350.34; CBH380.26; CBH380.26/T; CBH380.34; CBH385.24; CBH385.26; CBH385.26/T; CBH385.34; CBH385.34/T) (6x6) 04.86-10.98	AV/F	414x175	19935	<b>1993500764</b> <b>1993502</b>	<b>RIV818</b>	<b>MAC9935</b>	<b>1993580</b>	
		RT						
	AR/R	414x175	19935	<b>1993500764</b> <b>1993502</b>	<b>RIV818</b>	<b>MAC9935</b>	<b>1993580</b>	
CCH; CLM; CLR (CCH300.26; CCH300.30; CLM280.19; CLM280.19/T; CLM280.26; CLM320.19/T; CLM320.25/T; CLM340.19/T; CLM340.19; CLM380.19/T; CLM385.19/T; CLM385.22/T; CLM385.25/T; CLR220.19; CLR230.19) (4x2 & 4x4 & 6x4) 04.86-10.98	AV/F	414x150 RT	19934	<b>1993400764</b> <b>1993402</b>	<b>RIV818</b>	<b>MAC9934</b>	<b>1993480</b>	
	AR/R	414x175 RT	19935	<b>1993500764</b> <b>1993502</b>	<b>RIV818</b>	<b>MAC9935</b>	<b>1993580</b>	

# APPLICATION PAR VEHICULES APPLICATION BY VEHICLES



## RENAULT Trucks ..../.

G SERIE (G280.24; G280.26; G290.24; G300.24; G300.26; G300.26/T) (6x2/4) 10.82- 03.93	AV/F	414x150 RT	19934	<b>1993400764</b> <b>1993402</b>	<b>RIV818</b>	<b>MAC9934</b>	<b>1993480</b>	
	AR/R	414x175 RT	19935	<b>1993500764</b> <b>1993502</b>	<b>RIV818</b>	<b>MAC9935K</b>	<b>1993580K</b>	<b>TF6808</b>
G SERIE (G170.11; G170.13; G170.15; G170.16; G170.17; G200.13; G200.15; G200.16; G200.16; G200.17; G200.18; G210.15; G210.16; G210.16/T; G210.19; G210.19/T; G230.11; G230.13; G230.13SP; G230.15; G230.15/T; G230.16; G230.17; G230.17; G230.17/T; G230.18; G230.19; G230ti.13; G230ti.15; G230ti.16; G260.15; G260.15/T; G260.16; G260.17/T; G260.17; G260.19/T; G260.19; G260.22/T; G260.24; G260.26; G280.13; G280.15/T; G280.15; G280.16; G280.17; G280.18; G280.19; G290.17/TD; G290.19/T; G290.19; G290.22/TD; G290.24; G290.26; G300.13; G300.15/T; G300.15; G300.16; G300.17; G300.19/T; G300.19; G300.24; G300.25; G300.26; G320.19; G320.19T; G320.24; G330.13; G330.15; G330.16; G330.17/T; G330.17; G330.18; G330.19/T; G330.19; G330.24; G330.26; G340.18; G340.19; G340ti.19/T; G340.24; G340.26) (4x2 & 4x4 & 6x2 & 6x4) 10.82- 12.96	AV/F	414x150 RT	19934	<b>1993400764</b> <b>1993402</b>	<b>RIV818</b>	<b>MAC9934</b>	<b>1993480</b>	
	AR/R2	414x150 RT (OPTION)	19934	<b>1993400764</b> <b>1993402</b>	<b>RIV818</b>	<b>MAC9934</b>	<b>1993480</b>	
	AR/R	414x175 RT	19935	<b>1993500764</b> <b>1993502</b>	<b>RIV818</b>	<b>MAC9935</b>	<b>1993580</b>	<b>TF6808</b> <b>(Cam01FR)</b>
G SERIE (G170.15; G170.17; G210.15; G210.17; G230.15; G230.17; G260.15; G260.17; G290.17) 01.86-12.88	AV/F	414x150 RT	19934	<b>1993400764</b> <b>1993402</b>	<b>RIV818</b>	<b>MAC9934</b>	<b>1993480</b>	
	AR/R	414x150	19934	<b>1993400764</b> <b>1993402</b>	<b>RIV818</b>	<b>MAC9934</b>	<b>1993480</b>	
G SERIE (G170.16; G210.17; G210.19; G230.17; G230.19; G260.16; G260.17; G260.19; G290.19) (6x4) 01.83-12.86	AV/F	414x150 BENDIX	19049/19199	<b>1904902</b>	<b>RIV615T11</b>	<b>MAC9049/199</b>		
	AR/R	414x150 RT	19919	<b>1991900928</b>	<b>RIV818</b>			
G SERIE (G210.19; G230.19; G260.19; G260.19/T; G290.19) (6x4) 10.82-12.86	AV/F	414x150 BENDIX	19049/19199	<b>1904902</b>	<b>RIV615T11</b>	<b>MAC9049/199</b>		
	AR/R	414x175	19463	<b>1946301</b>	<b>RIV818</b>			

# APPLICATION PAR VEHICULES APPLICATION BY VEHICLES



## RENAULT Trucks ../..

G SERIE (G230.19/T; G230ti.19; G290.19; G290.19/T; G290.19/T) (4x2 & 6x2 & 6x4) 10.82-03.93	AV/F 414x150	BENDIX	19049/19199	1904902	RIV615T11	MAC9049/199	
	AR/R 414x150		19049/19199	1904902	RIV615T11	MAC9049/199	
G SERIE (G230ti.17; G230ti.18; G230ti.19) (4x2) 10.82-12.86	AV/F 414x175	RT	19935	1993500764 1993502	RIV818	MAC9935	1993580
	AR/R 414x175		19935	1993500764 1993502	RIV818	MAC9935	1993580 TF6808
G SERIE (G260.11; G260.13; G260.15) (4x2) 10.82-12.86	AV/F 414x125 RT		17309/17531	17309007000	RIV615T11		
	AR/R 414x150 BENDIX		19049/19199	1904902	RIV615T11	MAC9049/199	
G SERIE (G260.15; G290.17; G320.26; G340.24; G340.26) (6x4) 01.83-12.86	AV/F 414x125	RT	17309/17531	17309007000	RIV615T11		
	AR/R 414x150		19919	1991900928	RIV818		
G SERIE (G280.24; G280.26; G290.24; G300.24; G300.26; G300.26/T) (6x2/4) 10.82-03.93	AV/F 414x150	RT	19934	1993400764 1993402	RIV818	MAC9934	1993480
	AR/R 414x175		19935	1993500764 1993502	RIV818	MAC9935	1993580 TF6808
G SERIE (G290.26; G320.24; G320.26; G330.24; G330.26; G340.24; G340.26) (6x4) 01.87-12.96	AV/F 414x150	RT	19934	1993400764 1993402	RIV818	MAC9934	1993480
	AR/R 414x150		19934	1993400764 1993402	RIV818	MAC9934	1993480
G SERIE BOM (G210.17; G210.18; G210.19; G220.17; G220.19) (4x2) 10.82- 03.93	AV/F 414x150	RT	19934	1993400764 1993402	RIV818	MAC9934	1993480
	AR/R 414x175		19935	1993511	RIV818	MAC9935	1993580 BOM TF6808 (P1332)
J SERIE (GF151) 01.80-12.90	AV/F 414x150	BENDIX	19049/19199	1904902	RIV615T11	MAC9049/199	
	AR/R 414x175		19463	1946301	RIV818		
J SERIE (JE13) 01.76-12.90	AV/F 394x127 AP		17804	1780400412	RIV615T11		
	AR/R 394x152 LOCKHEED		19622	1962200412	RIV615T11		
J SERIE (JE15) 01.76-12.90	AV/F 414x125 RT		17309/17531	17309007000	RIV615T11		
	AR/R 414x150 BENDIX		19049/19199	1904902	RIV615T11	MAC9049/199	
J SERIE (JE9; JE11) 01.76-12.83	AV/F 356x100 BENDIX		17582/17805	17582003548	RIV512		
	AR/R 356x100 (HYDRO)		17582/17805	17582003548	RIV512		

# APPLICATION PAR VEHICULES APPLICATION BY VEHICLES



## RENAULT Trucks ../..

J SERIE (JK60; JK62; JK65; JK75) 01.75-12.86	AV/F	310x100	BENDIX (HYDRO)	17829/17799	<b>1782900929</b>	<b>RIV512</b>			
	AR/R	310x125		17831/17832	<b>1783100764</b> <b>1783102</b>	<b>RIV512</b>			
J SERIE (JN60; JN75; JN80; JN85; JN90; JN95) 01.73-12.83	AV/F	325x120	BENDIX (HYDRO)	17827/17828	<b>1782700764</b> <b>1782704</b>	<b>RIV512</b>			
	AR/R	325x150		19620/19621	<b>1962004</b>	<b>RIV512</b>			
J SERIE (JP13A; JP13B; JP13C; JP13C CITERNE; JP14 BOM) 01.75-12.83	AV/F	394x127	AP	17804	<b>1780400412</b>	<b>RIV615T11</b>			
	AR/R	394x152	LOCKHEED	19622	<b>1962200412</b>	<b>RIV615T11</b>			
J SERIE (JP19; JP19A; JP19B; JP21; JR19; JR19A; JR19B; JR21; JR21A-T; JR21B-T; JR21C-T; JX21A-T; JX21B-T; JX21C-T; 130) 01.75-12.86	AV/F	394x127	AP	17804	<b>1780400412</b>	<b>RIV615T11</b>			
	AR/R	394x152	LOCKHEED	19622	<b>1962200412</b>	<b>RIV615T11</b>			
J SERIES (JP11; JP11 BOM) 01.75-12.83	AV/F	356x100	BENDIX (HYDRO)	17582/17805	<b>17582003548</b>	<b>RIV512</b>			
	AR/R	356x100		17582/17805	<b>17582003548</b>	<b>RIV512</b>			
K SERIE MEDIUM, HEAVY, XTREM (380P; 380T; 430P; 430T; 440P; 440T; 460P; 460T; 480P; 480T; 520P; 520T) (4x2 & 4x4 & 6x4 & 6x6 & 8x4/4) 01.13-	AV/F	410x175		19090	<b>1909000764</b> <b>1909002</b>	<b>RIVL11</b>	<b>MAC9090/2</b>	<b>1909080</b>	<b>TF1667</b> <b>TF1667KMG</b>
	AR/R	410x200	MERITOR CAME Z	19071	<b>1907100764</b> <b>1907102</b>	<b>RIVL11</b>	<b>MAC9071/2</b>	<b>1907180</b>	<b>TF1660</b> <b>TF1660KMG</b>
	AR/R	410x225		19068	<b>1906802</b>	<b>RIVL10</b>	<b>MAC9068/2</b>	<b>1906880</b>	<b>TF1655</b> <b>TF1655KMG</b>
KERAX (260.18; 260.18/B; 270.18; 300.18/B; 300.26/A; 300.26/B; 320.18; 320.26; 340.18; 340.18/B; 340.26; 340.26/A; 340.26/B; 340.32/A; 350.34; 370.18; 370.26; 370.32; 385.18; 385.18/B; 385.18T; 385.26; 385.26/A; 385.26/B; 385.26/C; 385.26T; 385.32/A; 385.32/B; 385.32/C; 400.18; 400.18T; 400.26; 400.26/A; 400.26/B; 400.26/C; 400.26T; 400.32/A; 400.32/B; 400.32/C; 420.18; 420.26; 420.32; 420.34) (4x2 & 4x4 & 6x4 & 6x6 & 8x4 & 8x4/4 & 8x8/4) 06.97-09.05	AV/F	414x175		19935	<b>1993500764</b> <b>1993502</b>	<b>RIV818</b>	<b>MAC9935K</b>	<b>1993580K</b>	<b>TF6804</b> <b>TF6804KMGK</b>
	AR/R	414x175		19935	<b>1993500764</b> <b>1993502</b>	<b>RIV818</b>	<b>MAC9935</b>	<b>1993580</b>	<b>TF6808</b> <b>(CAM09A4)</b>
	AR/R	414x220	RT	19187	<b>1918700764</b> <b>1918702</b>	<b>RIV818</b>	<b>MAC9187K</b>	<b>1918780K</b>	<b>TF6805</b> <b>TF6805KMGK</b>
	AR/R	414x220		19187	<b>1918700764</b> <b>1918702</b>	<b>RIV818</b>	<b>MAC9187K</b>	<b>1918780K</b>	<b>TF6802</b> <b>TF6802KMGK</b>



# APPLICATION PAR VEHICULES APPLICATION BY VEHICLES



## RENAULT Trucks ../..

KERAX DXI (370.18; 370.26; 370.32; 410.18; 410.26; 410.32; 450.18; 450.26; 450.32; 500.32) (4x2 & 4x4 & 6x4 & 6x6 & 8x4) 10.05-12.12	AV/F	410x175	19090	<b>1909000764</b> <b>1909002</b>	<b>RIVL11</b>	<b>MAC9090/2</b>	<b>1909080</b>	<b>TF1667</b> <b>TF1667KMG</b>
	AR/R	410x200	MERITOR CAME Z 19071	<b>1907100764</b> <b>1907102</b>	<b>RIVL11</b>	<b>MAC9071/2</b>	<b>1907180</b>	<b>TF1660</b> <b>TF1660KMG</b>
	AR/R	410x225	19068	<b>1906802</b>	<b>RIVL10</b>	<b>MAC9068/2</b>	<b>1906880</b>	<b>TF1655</b> <b>TF1655KMG</b>
MAGNUM AE (AE380.18; AE380.18T; AE380.26; AE380.26T; AE500.26) (4x2 & 6x2 & 6x4) 09.90-09.92	AR/R	414x175 RT	19935	<b>1993500764</b> <b>1993502</b>	<b>RIV818</b>	<b>MAC9935</b>	<b>1993580</b>	<b>TF6804</b> <b>TF6804KMG</b>
MAGNUM AE (AE385ti.18; AE385ti.18T; AE385ti.19; AE385ti.19T; AE385ti.24; AE385ti.26; AE390.18; AE390.18T; AE390.19; AE390.19T; AE390.26; AE420ti.18; AE420ti.18T; AE420ti.19; AE420ti.22T; AE420ti.24; AE420ti.24T; AE420ti.26; AE430.18; AE430.19; AE430.19T; AE430.26T; AE470.26; AE520.18; AE520.18T; AE520.19; AE520.19T; AE520.24; AE520.24T; AE520.26; AE560.18T) (4x2 & 6x2 & 6x4) 10.92-	AV/F	414x175 RT (OPTION)	19935	<b>1993500764</b> <b>1993502</b>	<b>RIV818</b>	<b>MAC9935</b>	<b>1993580</b>	<b>TF6804</b> <b>TF6804KMG</b>
	AR/R	414x220 RT	19187	<b>1918700764</b> <b>1918702</b>	<b>RIV818</b>	<b>MAC9187</b>	<b>1918780</b>	<b>TF6802</b> <b>TF6802KMG</b>
MAGNUM AE (AE420ti.26T; AE430.26T; AE470.26T; AE520.22T; AE520.26T) (6x4) 10.92-	AR/R	414x150 RT	19934	<b>1993400764</b> <b>1993402</b>	<b>RIV818</b>	<b>MAC9934</b>	<b>1993480</b>	<b>TF6808</b>
	AR/R	414x175 RT (OPTION)	19935	<b>1993500764</b> <b>1993502</b>	<b>RIV818</b>	<b>MAC9935</b>	<b>1993580</b>	<b>TF6804</b> <b>TF6804KMG</b>
MAGNUM AE (AE430.18T; AE430.26; AE470.18; AE470.18T; AE470.19; AE470.19T; AE560.18; AE560.19; AE560.19T; AE560.26; AE560.26T) (4x2 & 6x2) 04.96-	AV/F	414x175 RT (OPTION)	19935	<b>1993500764</b> <b>1993502</b>	<b>RIV818</b>	<b>MAC9935</b>	<b>1993580</b>	<b>TF6804</b> <b>TF6804KMG</b>
	AR/R	414x220 RT	19187	<b>1918700764</b> <b>1918702</b>	<b>RIV818</b>	<b>MAC9187</b>	<b>1918780</b>	<b>TF6805</b> <b>TF6805KMG</b>
MAGNUM AE (AE500.18; AE500.18T; AE500.26T) (4x2 & 6x2 & 6x4) 09.90-	AR/R	414x175 RT	19935	<b>1993500764</b> <b>1993502</b>	<b>RIV818</b>	<b>MAC9935</b>	<b>1993580</b>	<b>TF6804</b> <b>TF6804KMG</b>



# APPLICATION PAR VEHICULES APPLICATION BY VEHICLES



## RENAULT Trucks ..../.

**MAJOR** (R310.16; R310.16/T; R310.17; R310.17/T; R310.19; R310.19/T; R310.22; R310.22/T; R330.17; R330.17/T; R330.19; R330.19/T; R330.24; R340.17; R340.17/T; R340.19; R340.19/T; R340.24; R340ti.16/T; R340ti.17; R340ti.18; R340ti.18/T; R340ti.19; R340ti.19/T; R340ti.24; R340ti.26; R350.17; R350.17/T; R350.18; R350.18/T; R350.19; R350.19/T; R350.19/TB; R350.24; R350.26; R360.19/T; R360.26/T; R365.17; R365.17/T; R365.19; R365.19/T; R365.24; R370.16; R370.16/T; R370.19/T; R370.22/T; R370.26/T; R380.17; R380.18; R380.18/T; R380.19; R380.19/T; R380.19/TB; R380.22/T; R380.24; R380.25; R380.25/T; R380.26; R380.26/T; R390.16; R390.16/T; R390.17; R390.17/T; R390.19/T; R390.22/T; R390.24; R390.24/T; R420.17; R420.17/T; R420.19; R420.19/T; R420.24; R420.24/T; R420.35/T) (4x2 & 6x2 & 6x4) 01.85-10.91

AV/F 414x150 19934 **1993400764** **RIV818** **MAC9934** **1993480**  
**1993402**

RT

**MAJOR** (R310.16; R310.16/T; R310.17; R310.17/T; R310.19; R310.19/T; R310.22; R310.22/T; R370.16; R370.16/T; R370.19/T; R370.22/T; R370.26/T) (4x2 & 6x2 & 6x4) 10.80-12.84

AV/F 414x150 19049/19199 **1904902** **RIV615T11** **MAC9049/199**

BENDIX

AR/R 414x175 19463 **1946301** **RIV818**

**MANAGER** (G200.13; G200.15; G200.16; G200.17; G200.18; G210.16; G210.18; G230ti.13; G230ti.15; G230ti.16; G230ti.17; G230ti.18; G270.13; G270.15; G270.15/T; G270.16; G270.17; G270.17/T; G270.18; G270.19; G270.26; G280.13; G280.15; G280.15/T; G280.16; G280.17; G280.17/T; G280.18; G280.19; G280.24; G280.26; G300.13; G300.15; G300.15/T; G300.16; G300.17; G300.17/T; G300.18; G300.24; G300.25; G300.26; G330.13; G330.15; G330.16; G330.17; G330.17/T; G330.18; G330.19; G330.24; G330.26; G340ti.16; G340ti.17; G340ti.17/T; G340ti.18; G340ti.18/T; G340ti.26) (4x2 & 4x4 & 6x2 & 6x2/4 & 6x4) 09.91-10.96

AV/F 414x175 19935 **1993500764** **RIV818** **MAC9935** **1993580** **TF6808**  
**1993502**

RT

AR/R 414x175 19935 **1993500764** **RIV818** **MAC9935** **1993580** **TF6808**  
**1993502**

Automotive

# APPLICATION PAR VEHICULES APPLICATION BY VEHICLES



## RENAULT Trucks ../..

MANAGER (G220.17BOM; G220.19BOM; G230.13SP; G230ti.19; G270.13SP; G270.14SP; G300.19; G300.19/T; G300.26/T; G300.26CIT; G330.17/T; G330.19; G330.19/T; G340ti.19; G340ti.19/T) 10.82-03.93	AV/F	414x150	19934	<b>1993400764</b> <b>1993402</b>	<b>RIV818</b>	<b>MAC9934</b>	<b>1993480</b>	<b>TF6808</b>
		RT						
	AR/R	414x175	19935	<b>1993500764</b> <b>1993502</b>	<b>RIV818</b>	<b>MAC9935</b>	<b>1993580</b>	<b>TF6808</b>
	AR/R	414x175 RT (OPTION)	19935	<b>1993511</b>	<b>RIV818</b>	<b>MAC9935</b>	<b>1993580</b> <b>BOM</b>	
MAXTER (G230ti.19; G260.19; G270.19; G280.18; G280.18/T; G300.18; G300.19; G300.19/T; G300.26; G340ti.18/T; G340ti.19; G340ti.19/T; G340ti.25/A; G340ti.25/B; G340ti.26; G340ti.26/B; G340ti.26/C; G340ti.32; G340ti.32/A; G340ti.32/B; G340ti.32/C; G340ti.34; G340ti.40) (4x2 & 4x4 & 6x2 & 6x4 & 6x6 & 8x4/4) 10.92-06.97	AV/F	414x175	19935	<b>1993500764</b> <b>1993502</b>	<b>RIV818</b>	<b>MAC9935</b>	<b>1993580</b>	<b>TF6808</b>
		RT						
	AR/R	414x175	19935	<b>1993500764</b> <b>1993502</b>	<b>RIV818</b>	<b>MAC9935</b>	<b>1993580</b>	<b>TF6808</b>
MIDLINER (130B13; 130B14; 130TB19; 130TB20; 130TB21; 150B11; 150B13; 150B13R; 150TB19; 150TB20; 150TB21) 01.78-12.80	AV/F	394x127	17804	<b>1780400412</b>	<b>RIV615T11</b>			
	AR/R	394x152	19622	<b>1962200412</b>	<b>RIV615T11</b>			
MIDLINER (M140.11/T; M140.12/C; M140.13/C; M140.13/T; M150.09/C; M150.09/CSP; M150.11/C; M150.11/CSP; M150.12/C; M150.12/CBTP; M150.13/C; M150.13/CBTP; M160.11/T; M160.12/C; M160.13/C; M160.13/T; M180.10/C; M180.11/C; M180.11/CSP; M180.12/C; M180.12/CBTP; M180.13/C; M180.13/CBTP; M180.13SP; M200.10/C; M200.12/C; M200.13/C; M200.15/T; M200.16/T; M210.13/CSP; M230.10/C; M230.12/C; M230.12/D; M210.12/C; M210.13/C; M230.13/C; M230.13/D; M230.13C/T; M250.13/C; M250.15/C; M250.15/D; ME160.13) (4x2 & 4x4) 10.82- 01.00	AR/R	360x170	19255/19259	<b>1925500764</b> <b>1925501</b>	<b>RIV512</b>	<b>AB337220</b>	<b>1925580</b>	
		BENDIX WEDGE BRAKE						

# APPLICATION PAR VEHICULES APPLICATION BY VEHICLES



## RENAULT Trucks ../.

MIDLINER (M150.14/CBOM; M150.14/CCIT; M160.14/CBOM; M160.14/CCIT; M160.15/D; M180.15/D; M180.15/DBTP; M180.16/D; M200.14/CBOM; M200.14/CCIT; M200.15/D; M200.16/D; M210.14/CBOM; M210.14/D; M210.15/D; M210.15/DCIT; M210.16/D; M210.16/DCIT; M230.15/D; M230.15/DCIT; M230.16/D; M230.16/DCIT; M230.16D/T; M250.15C/T; M250.16/D; ME160.15; ME180.15) (4x2 & 4x4) 10.82-01.00	AV/F	414x150		19934	<b>1993400764</b> <b>1993402</b>	<b>RIV818</b>	<b>MAC9934</b>	<b>1993480</b>	
			RT						
	AR/R	414x150		19934	<b>1993400764</b> <b>1993402</b>	<b>RIV818</b>	<b>MAC9934</b>	<b>1993480</b>	
	AR/R	414x175	RT (OPTION)	19935	<b>1993500764</b> <b>1993502</b>	<b>RIV818</b>	<b>MAC9935</b>	<b>1993580</b>	<b>TF6808</b> <b>(P1341)</b>
MIDLINER (M150; M210; S170) (4x4) POMPIERS USAGE SEVERE -12.95	AV/F	381x152	MERITOR WEDGE	19502	<b>1950200412</b>	<b>RIVL10</b>			TM
	AR/R	381x152	BRAKE (8 trous/holes)	19502	<b>1950200412</b>	<b>RIVL10</b>			
MIDLINER (M150; M210; S170) (4x4) POMPIERS USAGE SEVERE 01.95-	AV/F	381x152	MERITOR WEDGE	19742	<b>1974200929</b>	<b>RIVL10</b>			
	AR/R	381x152	BRAKE (12 trous/holes)	19742	<b>1974200929</b>	<b>RIVL10</b>			
MIDLINER (S100.06/A; S100.07/A; S100.08/A; S100.09/ABOM; S100.09/ACIT; S110.06/A; S110.07/A; S110.08/A; S130.07; S130.08/A; S130.08/B; S130.08/R; S130.09/B; S130.11; S130.11/B; S130.13/B; S150.08TI; S150.08TI/R; S150.09TI; S150.11TI; S150.13TI) (4x2) 10.82-01.00	AV/F	310x100		17829/17799	<b>1782900929</b>	<b>RIV512</b>			
			BENDIX (HYDRO)						
	AR/R	310x125		17831/17832	<b>1783100764</b> <b>1783102</b>	<b>RIV512</b>			
MIDLINER (S120.06/A; S120.07/A; S140.07/A) (4x2) 10.82-01.00	AR/R	310x125	BENDIX WEDGE BRAKE	17352	<b>17352003000</b>	<b>RIV512</b>	<b>AB350929</b>	<b>1735280</b>	
MIDLINER (S120.08/A; S120.09/A; S120.09/B; S120.09/BBOM; S120.09/BCIT; S130.06; S135.08/A; S135.09/B; S140.08/A; S140.08/B; S140.09/B; S150.08/A; S150.08/B; S150.09/B; S160.08/A; S160.08/B; S160.09/B; S160.09/BSP; S180.08/A; S180.08/B; S180.09/B; S180.09/BSP; S210.08/A; S210.09/B) (4x2) 10.82-01.00	AR/R	325x150	BENDIX WEDGE BRAKE	19709	<b>19709007000</b>	<b>RIV512</b>	<b>AB350891</b>	<b>1970980</b>	

# APPLICATION PAR VEHICULES APPLICATION BY VEHICLES



## RENAULT Trucks ..../.

MIDLINER (S130.13; S130.14; S150.13; S150.14)	AV/F	394x127 AP	17804	<b>1780400412</b>	<b>RIV615T11</b>			
	AR/R	394x152 LOCKHEED	19622	<b>1962200412</b>	<b>RIV615T11</b>			
MIDLINER (S170.11; S170.13; S170.14) 01.83-12.86	AV/F	414x125 RT	17309/17531	<b>17309007000</b>	<b>RIV615T11</b>			
	AR/R	414x150 BENDIX	19049/19199	<b>1904902</b>	<b>RIV615T11</b>		<b>MAC9049/199</b>	
MIDLINER (S90.09; S100.09; S130.06; S130.08; S130.09; S150.08; S150.09) 01.83-12.96	AV/F	325x120 BENDIX (HYDRO)	17827/17828	<b>1782700764</b> <b>1782704</b>	<b>RIV512</b>			
	AV/F	325x150	19620/19621	<b>1962004</b>	<b>RIV512</b>			
MIDLINER (S90; S120.08/A) (4x2) 10.82-01.00	AV/F	325x120 BENDIX (HYDRO)	17827/17828	<b>1782700764</b> <b>1782704</b>	<b>RIV512</b>			
	AR/R	325x150	19620/19621	<b>1962004</b>	<b>RIV512</b>			
PREMIUM DISTRIBUTION (210.16; 210.18D; 210.19D; 220.18; 250.16; 250.18D; 250.19; 260.16; 260.18; 260.19; 270.18; 300.16D; 300.16T; 300.18D; 300.18D/T; 300.19; 300.19D/T; 300.26D; 320.18; 320.18 D; 320.24D; 320.26D; 340.18D; 340.18D/T; 340.19D; 340.19D/T; 340.26D; 370.18; 370.18D; 370.24D; 370.26D; 400.18D; 400.18D/T; 420.18; 420.18D) (4x2 & 6x2 & 6x2/2/4) 04.96-09.05	AV/F	414x175	19935	<b>1993500764</b> <b>1993502</b>	<b>RIV818</b>	<b>MAC9935</b>	<b>1993580</b>	<b>TF6804</b> <b>TF6804KMG</b>
	AR/R	414x175 RT	19935	<b>1993500764</b> <b>1993502</b>	<b>RIV818</b>	<b>MAC9935</b>	<b>1993580</b>	<b>TF6808</b>
	AR/R	414x220	19187	<b>1918700764</b> <b>1918702</b>	<b>RIV818</b>	<b>MAC9187</b>	<b>1918780</b>	<b>TF6802</b> <b>TF6802KMG</b>
PREMIUM Dxi DISTRIBUTION; LANDER; ROUTE (240.18D; 270.18; 270.19; 280.18D; 280.26; 310.18; 310.19; 310.26; 320.18; 320.18D; 320.26; 330.18T; 340.18; 340.19; 340.26; 370.18D; 370.26; 380.18; 380.19; 380.26; 380.32; 410.18; 410.18D; 410.24; 410.25; 410.26; 430.18; 430.19; 430.26; 430.32; 440.18; 440.19; 440.26; 440.32; 450.18; 450.18D; 450.24; 450.25; 450.26; 460.18; 460.19; 460.26; 460.32) (4x2 & 6x2 & 6x2/4 & 6x4 & 8x4) 10.05-12.12	AV/F	410x175	19090	<b>1909000764</b> <b>1909002</b>	<b>RIVL11</b>	<b>MAC9090/2</b>	<b>1909080</b>	<b>TF1667</b> <b>TF1667KMG</b>
	AR/R	410x200 MERITOR CAME Z (OPTION)	19071	<b>1907100764</b> <b>1907102</b>	<b>RIVL11</b>	<b>MAC9071/2</b>	<b>1907180</b>	<b>TF1660</b> <b>TF1660KMG</b>
	AR/R	410x225	19068	<b>1906802</b>	<b>RIVL10</b>	<b>MAC9068/2</b>	<b>1906880</b>	<b>TF1655</b> <b>TF1655KMG</b>



# APPLICATION PAR VEHICULES APPLICATION BY VEHICLES



## RENAULT Trucks ../.

PREMIUM ROUTE (300.16; 300.18; 300.18T; 300.19; 300.19T; 320.18; 340.18; 340.18T; 340.19; 340.19T; 340.24; 340.26; 370.18; 370.24; 370.26; 385.18; 385.18T; 385.19; 385.19T; 385.24; 385.24T; 385.26; 400.18; 400.18T; 400.19; 400.19T; 400.24; 400.24T; 400.26; 420.18; 420.18T; 420.24; 420.25; 420.26) (4x2 & 6x2 & 6x2/4) 04.96-09.05	AV/F	414x175 RT (OPTION)	19935	<b>1993500764</b> <b>1993502</b>	<b>RIV818</b>	<b>MAC9935</b>	<b>1993580</b>	<b>TF6804</b> <b>TF6804KMG</b>
	AR/R	414x175	19935	<b>1993500764</b> <b>1993502</b>	<b>RIV818</b>	<b>MAC9935</b>	<b>1993580</b>	<b>TF6808</b>
	AR/R	414x220	19187	<b>1918700764</b> <b>1918702</b>	<b>RIV818</b>	<b>MAC9187</b>	<b>1918780</b>	<b>TF6802</b> <b>TF6802KMG</b>
T SERIE (380P; 380PLOW; 380T; 380TLOW; 380TPUS; 380TTAG; 380TXLOW; 430P; 430PLOW; 430T; 430TLOW; 430TPUS; 430TTAG; 430TXLOW; 440P; 440PLOW; 440T; 440TLOW; 440TPUS; 440TTAG; 440TXLOW; 460P; 460PLOW; 460T; 460TLOW; 460TPUS; 460TTAG; 460TXLOW; 480P; 480PLOW; 480T; 480TLOW; 480TPUS; 480TTAG; 480TXLOW; 520P; 520PLOW; 520T; 520TLOW; 520TPUS; 520TTAG; 520TXLOW) (4x2 & 6x2 & 6x2/4) 01.13-	AV/F	410x175	19090	<b>1909000764</b> <b>1909002</b>	<b>RIVL11</b>	<b>MAC9090/2</b>	<b>1909080</b>	<b>TF1667</b> <b>TF1667KMG</b>
	AR/R	410x200 MERITOR CAME Z (OPTION)	19071	<b>1907100764</b> <b>1907102</b>	<b>RIVL11</b>	<b>MAC9071/2</b>	<b>1907180</b>	<b>TF1660</b> <b>TF1660KMG</b>
	AR/R	410x225	19068	<b>1906802</b>	<b>RIVL10</b>	<b>MAC9068/2</b>	<b>1906880</b>	<b>TF1655</b> <b>TF1655KMG</b>
BERLIET (10K; 20K; 30K STRADAIR) 01.72-12.73	AV/F	356x100 BENDIX	17582/17805	<b>17582003548</b>	<b>RIV512</b>			
	AR/R	356x100 (HYDRO)	17582/17805	<b>17582003548</b>	<b>RIV512</b>			
BERLIET (90B6; 90B6A; 90B7) 01.75-12.80	AV/F	310x100 BENDIX	17829/17799	<b>1782900929</b>	<b>RIV512</b>			
	AR/R	310x125 (HYDRO)	17831/17832	<b>1783100764</b> <b>1783102</b>	<b>RIV512</b>			
	AR/R	310x125 (HYDRO)	17827/17828	<b>1782700764</b> <b>1782704</b>	<b>RIV512</b>			
BERLIET (130B6; 130B8; 130B9; 130B9A) 01.78-12.80	AV/F	325x120 BENDIX	17827/17828	<b>1782700764</b> <b>1782704</b>	<b>RIV512</b>			
	AR/R	325x150 (HYDRO)	19620/19621	<b>1962004</b>	<b>RIV512</b>			
BERLIET (130B11) 01.78-12.80	AV/F	356x100 BENDIX	17582/17805	<b>17582003548</b>	<b>RIV512</b>			
	AR/R	356x100 (HYDRO)	17582/17805	<b>17582003548</b>	<b>RIV512</b>			
BERLIET (130B13; 130B14; 130TB19; 130TB20; 130TB21; 150B11; 150B13/R; 150TB19; 150TB20; 150TB21) 01.78-12.80	AV/F	394x127 AP	17804	<b>1780400412</b>	<b>RIV615T11</b>			
	AR/R	394x152 LOCKHEED	19622	<b>1962200412</b>	<b>RIV615T11</b>			
BERLIET (600K; 600KB; 620K; 620KB; 680K; 680KB; 700K; 700KB; 770K; 770KB; 771K; 771KB) 01.74-12.79	AV/F	356x100 BENDIX	17582/17805	<b>17582003548</b>	<b>RIV512</b>			
	AR/R	356x100 (HYDRO)	17582/17805	<b>17582003548</b>	<b>RIV512</b>			



# APPLICATION PAR VEHICULES APPLICATION BY VEHICLES



## RENAULT Trucks ../.

BERLIET (610K; 610KB; 610K6) 01.72-12.79	AV/F	325x120	BENDIX (HYDRO)	17827/17828	<b>1782700764</b>	<b>RIV512</b>		
							<b>1782704</b>	
	AR/R	325x120		17827/17828	<b>1782700764</b>	<b>RIV512</b>		
					<b>1782704</b>			
BERLIET (880KB; 880KBT; 881KB; 881KBT) 01.74-12.79	AV/F	406x125	RT	17704/17705	<b>1770400928</b>	<b>RIV515</b>		
	AR/R	406x125		17704/17705	<b>1770400928</b>	<b>RIV515</b>		
BERLIET (950KB; 950KB6; 950KB6A; 950KBT6A; 950KBT6B; 950KBT6C; 950KBT6E; 951KB) 01.73-12.79	AV/F	406x125	RT	17307/17308	<b>1730700928</b>	<b>RIV515</b>		
BERLIET (950KB6S TURBO; 950KB6SA; 950KB6SA-E) 01.78-12.79	AR/R	414x150	BENDIX	19049/19199	<b>1904902</b>	<b>RIV615T11</b>	<b>MAC9049/199</b>	
	AV/F	414x125	RT	17309/17531	<b>17309007000</b>		<b>RIV615T11</b>	
BERLIET (GB131; GB191; GB191A; GB231; GB231A/B) 01.78-12.79	AR/R	414x150	BENDIX	19049/19199	<b>1904902</b>	<b>RIV615T11</b>		<b>MAC9049/199</b>
BERLIET (GB191A; GB191B; GC191A; GC191B; GF191A; GF191B; GB231A; GB231B; GC231A; GC231B; GF231A; GF231B) 01.78-12.86	AR/R	414x125	RT	17309/17531	<b>17309007000</b>	<b>RIV615T11</b>		
BERLIET (GBH260; GBH280) (6x4 & 6x6) 01.75-12.79	AR/R	414x150	BENDIX	19049/19199	<b>1904902</b>	<b>RIV615T11</b>	<b>MAC9049/199</b>	
	AV/F	414x150		19463	<b>1946301</b>		<b>RIV818</b>	
SAVIEM (HB15; HB15B) 01.78-12.80	AV/F	414x125	RT	17309/17531	<b>17309007000</b>	<b>RIV615T11</b>		
	AR/R	414x150	BENDIX	19049/19199	<b>1904902</b>	<b>RIV615T11</b>	<b>MAC9049/199</b>	
SAVIEM (HB17B; HB17B BOM; HB17BC. HB17B CIT) 01.78-12.80	AV/F	414x150	BENDIX	19049/19199	<b>1904902</b>	<b>RIV615T11</b>	<b>MAC9049/199</b>	
SAVIEM (HB19) 01.78-12.80	AR/R	414x150	BENDIX	19049/19199	<b>1904902</b>	<b>RIV615T11</b>	<b>MAC9049/199</b>	
	AV/F	414x175		19463	<b>1946301</b>		<b>RIV818</b>	
SAVIEM (HB26BT; HB26T) 01.78-12.80	AV/F	414x125	RT	17309/17531	<b>17309007000</b>	<b>RIV615T11</b>		
	AV/F	414x150	RT (OPTION)	19680	<b>1968000412</b>		<b>RIV615T11</b>	
	AR/R	414x150		19682	<b>1968200412</b>			
	AR/R	414x150	BENDIX	19049/19199	<b>1904902</b>	<b>RIV615T11</b>	<b>MAC9049/199</b>	
SAVIEM (HF15; HF15B) 01.78-12.80	AV/F	414x125	RT	17309/17531	<b>17309007000</b>	<b>RIV615T11</b>		
SAVIEM (HF17B; HF17C; HF17CIT) 01.78-12.80	AR/R	414x150	BENDIX	19049/19199	<b>1904902</b>	<b>RIV615T11</b>	<b>MAC9049/199</b>	
	AV/F	414x150	BENDIX	19049/19199	<b>1904902</b>		<b>RIV615T11</b>	<b>MAC9049/199</b>
	AR/R	414x150		19049/19199	<b>1904902</b>	<b>RIV615T11</b>		<b>MAC9049/199</b>

# APPLICATION PAR VEHICULES APPLICATION BY VEHICLES



## RENAULT Trucks ../..

SAVIEM (HF19; HF19B) 01.78-12.80	AV/F 414x150	BENDIX	19049/19199	<b>1904902</b>	<b>RIV615T11</b>	<b>MAC9049/199</b>
	AR/R 414x175		19463	<b>1946301</b>	<b>RIV818</b>	
SAVIEM (HF26) 01.78-12.80	AV/F 414x150	BENDIX	19049/19199	<b>1904902</b>	<b>RIV615T11</b>	<b>MAC9049/199</b>
	AR/R 414x150		19049/19199	<b>1904902</b>	<b>RIV615T11</b>	<b>MAC9049/199</b>
SAVIEM (HF26BT; HF26CT; HF26ET; HF26T) 01.78-12.80	AV/F 414x125	RT	17309/17531	<b>17309007000</b>	<b>RIV615T11</b>	
	AR/R 414x150	BENDIX	19049/19199	<b>1904902</b>	<b>RIV615T11</b>	<b>MAC9049/199</b>
SAVIEM (HF26V) (6x4) 01.78-12.80	AV/F 414x150		19049/19199	<b>1904902</b>	<b>RIV615T11</b>	<b>MAC9049/199</b>
	AR/R2 414x150	BENDIX	19049/19199	<b>1904902</b>	<b>RIV615T11</b>	<b>MAC9049/199</b>
SAVIEM (HL38A; HL38B; HL38BT; HL38C; HL38T) 01.78-12.82	AV/F 414x150	RT	19680	<b>1968000412</b>	<b>RIV615T11</b>	
	AR/R 414x150		19682	<b>1968200412</b>	<b>RIV615T11</b>	
SAVIEM (HM15B; HM15BT; HM15T; HM17B; HM17BT; HM17T; HM19B; HM19BT; HM19T; HM26B; HM26BT; HM26T) 01.76-12.80	AV/F 414x150	RT	19680	<b>1968000412</b>	<b>RIV615T11</b>	
	AR/R 414x150		19682	<b>1968200412</b>	<b>RIV615T11</b>	
SAVIEM (HN19B; HN19BT; HN19T; HN26B; HN26BT; HN26T) 01.77-12.80	AV/F 414x150	RT	19680	<b>1968000412</b>	<b>RIV615T11</b>	
	AR/R 414x150		19682	<b>1968200412</b>	<b>RIV615T11</b>	
SAVIEM (PR40; PR40T; PR40V8VT; PS30; PS30T; PS30V8VT) 01.78-12.86	AV/F 410x163		19494	<b>1949402</b>	<b>RIV815</b>	
	AR/R 410x183	MAN	19495	<b>1949500764</b> <b>1949502</b>	<b>RIV818</b>	<b>MAC9495CAST 1949578*</b>
SAVIEM (PS30BT; PS30TI) 01.78-12.81	AV/F 414x150	RT	19680	<b>1968000412</b>	<b>RIV615T11</b>	
	AR/R 414x150		19682	<b>1968200412</b>	<b>RIV615T11</b>	
SAVIEM (PX28; PX28T; PX30; PX30T; PX40; PX40T) 01.79-12.81	AV/F 414x150	BENDIX	19049/19199	<b>1904902</b>	<b>RIV615T11</b>	<b>MAC9049/199</b>
	AR/R 414x175		19463	<b>1946301</b>	<b>RIV818</b>	
	AR/R 414x175	BENDIX (OPTION)	19655	<b>1965500412</b>	<b>RIV818</b>	
SAVIEM (SG1; SG2) 01.70-	AV/F 305x080	BENDIX	15698	<b>1569800928</b>	<b>RIV408</b>	
	AR/R 305x045		13464/13465	<b>1346400412</b>	<b>RIV408</b>	
SAVIEM (SG3) 01.73-	AV/F 310x080	BENDIX		<b>CVL3098075</b>		
	AR/R 305x070		15831/15832	<b>1583101</b>	<b>RIV408</b>	
SAVIEM (SG4; SG5) 01.69-	AV/F 356x050	BENDIX	13053/13145	<b>13053001549</b>	<b>RIV408</b>	
	AV/F 325x100	BENDIX	17744	<b>1774400929</b>	<b>RIV512</b>	
	AR/R 325x100	(OPTION)	17744	<b>1774400929</b>	<b>RIV512</b>	
	AR/R 360x075	BENDIX	15104/15107	<b>1510400412</b>	<b>RIV408</b>	

# APPLICATION PAR VEHICULES APPLICATION BY VEHICLES



## RENAULT Trucks ../..

SAVIEM (SM10) -12.78	AV/F	410x143	MAN	17238	<b>1723802</b>	<b>RIV815</b>		
SAVIEM (SM12; SM13; SM170; SM190M; SM200M) -12.79	AV/F	410x163	MAN	19494	<b>1949402</b>	<b>RIV815</b>		
SAVIEM (SM21; SM170PE; SM180; SM240; SM260TPE) -12.79	AV/F	410x143	MAN	17238	<b>1723802</b>	<b>RIV815</b>		
	AR/R	414x150	BENDIX	19049/19199	<b>1904902</b>	<b>RIV615T11</b>	<b>MAC9049/199</b>	
SAVIEM (SM240; SM260; SM280TU; SM300) -12.79	AV/F	410x163	MAN	19494	<b>1949402</b>	<b>RIV815</b>		
	AV/F	410x163	MAN	19494	<b>1949402</b>	<b>RIV815</b>		
SAVIEM (SM340) 01.74-12.79	AR/R	410x183	MAN	19495	<b>1949500764</b> <b>1949502</b>	<b>RIV818</b>	<b>MAC9495CAST</b>	<b>1949578*</b>
	AR/R	406x125	RT	17307/17308	<b>1730700928</b>	<b>RIV515</b>		
SAVIEM (SM8; SM8-13; SM8-D110; SM8- D130) -12.78	AV/F	414x125	RT	17309/17531	<b>17309007000</b>	<b>RIV615T11</b>		
	AR/R	414x150	BENDIX	19049/19199	<b>1904902</b>	<b>RIV615T11</b>	<b>MAC9049/199</b>	
SAVIEM (SM8-15) 01.76-12.77	AR/R	414x150	BENDIX	19049/19199	<b>1904902</b>	<b>RIV615T11</b>	<b>MAC9049/199</b>	
SAVIEM (SM8T) -12.78	AR/R	414x150	BENDIX	19049/19199	<b>1904902</b>	<b>RIV615T11</b>	<b>MAC9049/199</b>	
DIVERS (75.130; 85.150; 85.150Turbo; 85.150TI; 110.150TI; 110.170TI; CE160 ME160; SE160; CE180; ME180; SE180) (4x4) 01.81-12.00	AV/F	360x143	MERITOR WEDGE BRAKE	17017	<b>1701703</b>	<b>RIV815</b>	<b>MAC7017</b>	<b>1701780</b>
	AR/R	360x170	BENDIX WEDGE BRAKE	19255/19259	<b>1925500764</b> <b>1925501</b>	<b>RIV512</b>	<b>AB337220</b>	<b>1925580</b>
DIVERS (S45; S53; SC10) 01.65-12.92	AV/F	414x150	BENDIX	19049/19199	<b>1904902</b>	<b>RIV615T11</b>	<b>MAC9049/199</b>	
	AR/R	414x150	BENDIX	19049/19199	<b>1904902</b>	<b>RIV615T11</b>	<b>MAC9049/199</b>	
AGORA (4x2 & 6x2)	AR/R	414x220	RT	19187	<b>1918700764</b> <b>1918702</b>	<b>RIV818</b>	<b>MAC9187</b>	<b>1918780</b> <b>TF6802</b> <b>TF6802KMG</b>
FR1 (FR1E; FR1GT/T; FR1-T1; FR1-T2; FR1-TX; FR1-GTX) (4x2) 01.83-12/92	AR/R	414x175	RT	19935	<b>1993500764</b> <b>1993502</b>	<b>RIV818</b>	<b>MAC9935</b>	<b>1993580</b>
	AR/R	414x220	RT	19187	<b>1918700764</b> <b>1918702</b>	<b>RIV818</b>	<b>MAC9187</b>	<b>1918780</b>

## ROR

TM, TE AC BRAKE - 17,5"		311x190	CO +0 mm	19604/19605	<b>1960400764</b> <b>1960408</b>	<b>RIVL10</b>	<b>MAC9604V3</b>	<b>1960470</b> <b>TF5650</b> <b>TF5650KMG</b> <b>(TOP VENTE)</b>
TM B BRAKE - 19,5"		350x200	CO +0 mm	19908/19909	<b>1990800764</b>	<b>RIVL10</b>	<b>MAC9908</b>	<b>1990870</b>

# APPLICATION PAR VEHICULES APPLICATION BY VEHICLES



## ROR ../.

LM Q+ BRAKE - 22,5"	419x177 CO +0 mm	19030/19033	<b>1903001</b>	<b>RIVL09</b>	<b>1903070</b>
TM, TE Q BRAKE - 22,5"	419x178 CO +0 mm	19036/19037	<b>1903712</b>	<b>RIVL09</b>	<b>1903770</b>
TM, TE Q BRAKE - 22,5"	419x178 CR +1 mm	19036/19037	<b>1903713</b>	<b>RIVL09</b>	<b>1903771</b>
419 x 203mm BRAKE - 22,5"	419x203 CO +0 mm	19365/19366	<b>1936607</b>	<b>RIVL09</b>	
TM Z BRAKE - 22,5"	419x219 CO +0 mm	19369/19370	<b>1936912</b>	<b>RIVL10</b>	<b>1936970</b>
TM Z BRAKE - 22,5"	419x219 CR +1 mm	19369/19370	<b>1936913</b>	<b>RIVL10</b>	<b>1936971</b>

## SAE DUPELLIER

300x200 - 17,5"	300x200 CO +0 mm	19103	<b>1910301</b>	<b>RIV815</b>	
S3208 - 17,5"	305x080 CO +0 mm	15799	<b>1579900928</b>	<b>RIV615T11</b>	
S3012; S3112 - 17,5"	305x125 CO +0 mm	17592	<b>17592001541</b>	<b>RIV615T11</b>	
S3312 - 17,5"	305x125 CO +0 mm	17897/17898	<b>17897001541</b>	<b>RIV818</b>	
S3115; S3215 - 17,5"	305x150 CO +0 mm	19401	<b>19401001561</b>	<b>RIV515</b>	
S3315 - 17,5"	305x150 CO +0 mm	19760/19761	<b>1976000412</b>	<b>RIV818</b>	
S3018 - 17,5"	305x180 CO +0 mm	19444	<b>19444001561</b>	<b>RIV615T11</b>	
S3120; S3220 - 17,5"	305x200 CO +0 mm	19405	<b>19405001541</b>	<b>RIV615T11</b>	
S3220; S3320 - 17,5"	305x200 CO +0 mm	19762/19763	<b>1976200764</b>	<b>RIV818</b>	<b>MAC9762 1976270</b>
S3515 - 19,5"	356x150 CO +0 mm	19544	<b>1954400929</b>	<b>RIV515</b>	
S3515 - 19,5"	355x150 CO +0 mm	19912/19913	<b>1991201</b>	<b>RIV818</b>	
S3520 - 19,5"	355x200 CO +0 mm	19892/19893	<b>1989208</b>	<b>RIV818</b>	
S4110 - 22,5"	406x100 CO +0 mm	17760	<b>1776000929</b>	<b>RIV615T11</b>	
S4112 - 22,5"	406x125 CO +0 mm	17761	<b>1776100934</b>	<b>RIV615T11</b>	
420x160 - 22,5"	420x160 CO +0 mm	19200	<b>1920005</b>	<b>RIV815</b>	
420x200 - 22,5"	420x200 CO +0 mm	19094	<b>1909437</b>	<b>RIV815</b>	

## SAF

300x060 - 17,5"	300x060 CO +0 mm	15004	<b>1500401</b>	<b>RIV410</b>	
SN3015 - 17,5"	300x150 CO +0 mm	19517/19518	<b>1951701</b>	<b>RIV815</b>	
300x150 - 17,5"	300x150 CO +0 mm	19102	<b>1910205</b>	<b>RIV815</b>	
SNK3020 (SK9030- SK11030) Z Series 3020	300x200 CO +0 mm	19515/19516	<b>1951500764</b>	<b>RIV815</b>	<b>MAC9515 1951570</b>
300x200 - 17,5"	300x200 CO +0 mm	19103	<b>1910301</b>	<b>RIV815</b>	
350x60 - 19,5"	350x060 CO +0 mm	15044	<b>1504401</b>	<b>RIV610</b>	
SN3515 - 19,5" (EBN4535; EBN5535)	355x150 CO +0 mm	19912/19913	<b>1991201</b>	<b>RIV818</b>	



# APPLICATION PAR VEHICULES APPLICATION BY VEHICLES



## SAF ..I..

SN3520 - 19,5" (WRLZM8435-8; WRZM11035-10; WRZM11035-8; WRZM8435-8)	355x200 CO +0 mm	19892/19893	<b>1989208</b>	<b>RIV818</b>		
SNK Brake - 19,5" (SKRS9037-8; SKRS9037-10)	367x180 CO +0 mm	19479/19480	<b>1947905</b>	<b>RIV815</b>		
SNK Brake - 19,5"	367x200 CO +0 mm	19490/19491	<b>1949005</b>	<b>RIV815</b>		
SN Brake - 22,5" (ESN5542; RBM8442/12; RSM6242/12-8; RSM6242/12-10; RSM6542)	400x120 CO +0 mm	17115	<b>17115001517</b>	<b>RIV815</b>		
400x80 - 22,5"	400x080 CO +0 mm	15247	<b>1524700929</b>	<b>RIV510</b>		
400x120 - 22,5"	400x120 CO +0 mm	17001	<b>1700101</b>	<b>RIV818</b>		
419x203 - 22,5"	419x203 CO +0 mm	19365/19366	<b>1936515</b>	<b>RIV516</b>		
419x178 - 22,5"	419x178 CO +0 mm	19036/19037	<b>1903616</b>	<b>RIV516</b>		
420x120 - 22,5"	420x120 CO +0 mm	17377	<b>1737707</b>	<b>RIV815</b>		
420x160 - 22,5"	420x160 CO +0 mm	19200	<b>1920005</b>	<b>RIV815</b>		
RLSM 9042 - RLSM 9042/20 RS 8442 SNF SKRF 9042 - 22,5"	420x180 CO +0 mm	19032	<b>1903230</b>	<b>RIV815</b>	<b>MAC9032SAF</b>	<b>1903274</b>
RLSM 9042 - RLSM 9042/20 RS 8442 SNF SKRF 9042 - 22,5"	420x180 CR +1 mm	19032	<b>1903231</b>	<b>RIV815</b>	<b>MAC9032SAF</b>	<b>1903275</b>
SNK 420x180 (SK500; SK500 plus; SK9042; SK1000) S Series; ZSeries 4218- 22,5"	420x180 CO +0 mm	19283/19284	<b>1928308</b>	<b>RIV815</b>	<b>MAC9283</b>	<b>1928370</b>
RLSM 11242 WRZ6242 SNF - 22,5"	420x200 CO +0 mm	19094	<b>1909437</b>	<b>RIV815</b>	<b>MAC9094SAF</b>	<b>1909474</b>
RLSM 11242 WRZ6242 SNF - 22,5"	420x200 CR +1 mm	19094	<b>1909439</b>	<b>RIV815</b>	<b>MAC9094SAF</b>	<b>1909475</b>
SNK 420x200 (SK11242; SK12242; SK11342; K12242; K14242; K16242) S Series, Z Series 4220 - 22,5"	420x200 CO +0 mm	19477/19478	<b>1947706</b>	<b>RIV815</b>	<b>MAC9477</b>	<b>1947770</b>

# APPLICATION PAR VEHICULES APPLICATION BY VEHICLES



## SCANIA

P/G/R/T SERIE (G230; G270; G310; G340; G360; G380; G400; G410; G420; G440; G450; G470; G480; G490; P230; P250; P260; P270; P280; P300; P310; P320; P340; P360; P370; P380; P400; P410; P420; P440; P450; P470; P480; P500; P550; P560; P580; P620; R230; R270; R310; R340; R360; R380; R400; R410; R420; R440; R450; R470; R480; R490; R500; R520; R560; R580; R620; R730; T470) (4x2 & 4x4 & 6x2 & 6x2/4 & 6x2/2/4 & 6x4 & 6x6 & 8x2/6 & 8x2 & 8x2/4 & 8x4 & 8x4/4 & 8x8 & 10x4/6) 01.03-	AV/F	413x178	SCANIA 7" brake	19931	<b>1993100764</b> <b>1993101</b>	<b>RIVS38</b>	<b>MAC9931</b>	<b>1993180</b>	
		AV/F	413x203	SCANIA 8" brake	19932	<b>1993200764</b> <b>1993201</b>	<b>RIVS38</b>	<b>MAC9932</b>	<b>1993280</b>
	AR/R	413x127	SCANIA 5" brake	17991	<b>1799101</b>	<b>RIVS38</b>	<b>MAC7991</b>	<b>1799180</b>	
	AR/R	413x178	SCANIA 7" brake	19931	<b>1993100764</b> <b>1993101</b>	<b>RIVS38</b>	<b>MAC9931</b>	<b>1993180</b>	
	AR/R	413x203	SCANIA 8" brake	19932	<b>1993200764</b> <b>1993201</b>	<b>RIVS38</b>	<b>MAC9932</b>	<b>1993280</b>	<b>TF3104</b> <b>TF3104KMG</b>
	AR/R	413x254	SCANIA 10" brake	19933	<b>1993300764</b> <b>1993301</b>	<b>RIVS38</b>	<b>MAC9933</b>	<b>1993380</b>	<b>TF3110</b> <b>TF3110KMG</b>
SERIE 2 (82H/210; 82M/190; 82M/210; 92H/245; 92H/275; 92M/245; 92M/275; 112H/280; 112H/305; 142E/390; 142H/390; 142H/410; 142M/390; T142E/390) (4x2 & 6x2 & 6x4) 05.80-12.88	AV/F	413x127	SCANIA 5" brake	17161	<b>1716101</b>	<b>RIV6.318</b>			
	AV/F	413x178	SCANIA 7" brake	19075	<b>1907502</b>	<b>RIV6.318</b>			
	AR/R	413x127	SCANIA 5" brake	17161	<b>1716101</b>	<b>RIV6.318</b>			
	AR/R	413x203	SCANIA 8" brake	19393	<b>1939302</b>	<b>RIV6.318</b>			
	AR/R	413x254	SCANIA 10" brake	19647	<b>1964702</b>	<b>RIV6.318</b>			
SERIE 3 (93H/220; 93H/250; 93H/280; 93M/210; 93M/220; 93M/230; 93M/250; 93M/280; 113E/320; 113E/360; 113E/380; 113H/310; 113H/320; 113H/360; 113H/380; 113M/320; 113M/360; 113M/380; 113M/400; 143E/420; 143E/450; 143E/500; 143H/400; 143H/420; 143H/450; 143H/470; 143H/500; 143M/420; 143M/450; 143M/470; 143M/500; T93H/250; T93H/280; T113E/320; T113E/360; T113H/320; T113H/360; T143E/420; T143E/450; T143E/500; T143H/420; T143H/450; T143H/500) (4x2 & 4x4 & 6x2 & 6x4 & 6x2/2/4 & 6x6 & 8x2/4 & 8x4/4) 01.88-12.96	AV/F	413x127	SCANIA 5" brake	17991	<b>1799101</b>	<b>RIVS38</b>	<b>MAC7991</b>	<b>1799180</b>	
	AV/F	413x178	SCANIA 7" brake	19931	<b>1993100764</b> <b>1993101</b>	<b>RIVS38</b>	<b>MAC9931</b>	<b>1993180</b>	
	AR/R	413x127	SCANIA 5" brake	17991	<b>1799101</b>	<b>RIVS38</b>	<b>MAC7991</b>	<b>1799180</b>	
	AR/R	413x178	SCANIA 7" brake	19931	<b>1993100764</b> <b>1993101</b>	<b>RIVS38</b>	<b>MAC9931</b>	<b>1993180</b>	
	AR/R	413x203	SCANIA 8" brake	19932	<b>1993200764</b> <b>1993201</b>	<b>RIVS38</b>	<b>MAC9932</b>	<b>1993280</b>	<b>TF3104</b> <b>TF3104KMG</b>
	AR/R	413x254	SCANIA 10" brake	19933	<b>1993300764</b> <b>1993301</b>	<b>RIVS38</b>	<b>MAC9933</b>	<b>1993380</b>	<b>TF3110</b> <b>TF3110KMG</b>

# APPLICATION PAR VEHICULES APPLICATION BY VEHICLES



## SCANIA ../.

SERIE 4 (94/G260; 94C/260; 94C/300; 94C/310; 94D/220; 94D/230; 94D/260; 94D/270; 94D/300; 94D/310; 94G/220; 94G/260; 94G/310; 94L/310; 114C/330; 114C/340; 114C/360; 114C/380; 114G/330; 114G/340; 114G/380; 114L/340; 114L/380; 124/G420; 124C/360; 124C/400; 124C/420; 124C/470; 124G/360; 124G/400; 124G/420; 124G/470; 124L/360; 124L/400; 124L/420; 124L/440; 124L/470; 144C/460; 144C/530; 144G/460; 144G/530; 144L/460; 144L/530; 164C/480; 164C/580; 164G/480; 164G/580; 164L/480; 164L/580; T94C/260; T94C/310; T94G/220; T94G/230; T94G/260; T94G/310; T94L/310; T114C/340; T114C/380; T114G/340; T114G/380; T114L/340; T114L/380; T124C/360; T124C/400; T124C/420; T124G/360; T124G/400; T124G/420; T124L/360; T124L/400; T124L/420; T124L/470; T144C/460; T144C/530; T144G/460; T144G/530; T144L/460; T144L/530) (4x2 & 4x4 & 6x2 & 6x2/4 & 6x2/2/4 & 6x4 & 6x6 & 8x2 & 8x2/4/6 & 8x2/6 & 8x4 & 8x4/4) 05.95-	AV/F	413x178	SCANIA 7" brake	19931	<b>1993100764</b> <b>1993101</b>	<b>RIVS38</b>	<b>MAC9931</b>	<b>1993180</b>	
	AV/F	413x203	SCANIA 8" brake	19932	<b>1993200764</b> <b>1993201</b>	<b>RIVS38</b>	<b>MAC9932</b>	<b>1993280</b>	<b>TF3104</b> <b>TF3104KMG</b>
	AR/R	413x127	SCANIA 5" brake	17991	<b>1799101</b>	<b>RIVS38</b>	<b>MAC7991</b>	<b>1799180</b>	
	AR/R	413x178	SCANIA 7" brake	19931	<b>1993100764</b> <b>1993101</b>	<b>RIVS38</b>	<b>MAC9931</b>	<b>1993180</b>	
	AR/R	413x203	SCANIA 8" brake	19932	<b>1993200764</b> <b>1993201</b>	<b>RIVS38</b>	<b>MAC9932</b>	<b>1993280</b>	<b>TF3104</b> <b>TF3104KMG</b>
	AR/R	413x254	SCANIA 10" brake	19933	<b>1993300764</b> <b>1993301</b>	<b>RIVS38</b>	<b>MAC9933</b>	<b>1993380</b>	<b>TF3110</b> <b>TF3110KMG</b>
	AV/F	413x127	SCANIA 5" brake	17991	<b>1799101</b>	<b>RIVS38</b>	<b>MAC7991</b>	<b>1799180</b>	
	AV/F	413x178	SCANIA 7" brake	19931	<b>1993100764</b> <b>1993101</b>	<b>RIVS38</b>	<b>MAC9931</b>	<b>1993180</b>	
SERIE 3 BUS (K93CL; K113; K113CLB; L113CLB)(4x2) 01.96-	AR/R	413x127	SCANIA 5" brake	17991	<b>1799101</b>	<b>RIVS38</b>	<b>MAC7991</b>	<b>1799180</b>	
	AR/R	413x178	SCANIA 7" brake	19931	<b>1993100764</b> <b>1993101</b>	<b>RIVS38</b>	<b>MAC9931</b>	<b>1993180</b>	
	AR/R	413x203	SCANIA 8" brake	19932	<b>1993200764</b> <b>1993201</b>	<b>RIVS38</b>	<b>MAC9932</b>	<b>1993280</b>	<b>TF3104</b> <b>TF3104KMG</b>
	AR/R	413x254	SCANIA 10" brake	19933	<b>1993300764</b> <b>1993301</b>	<b>RIVS38</b>	<b>MAC9933</b>	<b>1993380</b>	<b>TF3110</b> <b>TF3110KMG</b>

# APPLICATION PAR VEHICULES APPLICATION BY VEHICLES



<b>SCANIA ..../.</b>									
C/N BUS (CN112; CR112; N112AL) 01.87-	AV/F	413x178	SCANIA 7" brake	19931	<b>1993100764</b> <b>1993101</b>	<b>RIVS38</b>	<b>MAC9931</b>	<b>1993180</b>	
	AR/R	413x254	SCANIA 10" brake	19933	<b>1993300764</b> <b>1993301</b>	<b>RIVS38</b>	<b>MAC9933</b>	<b>1993380</b>	<b>TF3110</b> <b>TF3110KMG</b>
K/N BUS (K93CRB; K113CRB; K113TRS; N112CLB; N113CRB; N113DRB) 01.87-	AV/F	413x178	SCANIA 7" brake	19931	<b>1993100764</b> <b>1993101</b>	<b>RIVS38</b>	<b>MAC9931</b>	<b>1993180</b>	
	AR/R	413x254	SCANIA 10" brake	19933	<b>1993300764</b> <b>1993301</b>	<b>RIVS38</b>	<b>MAC9933</b>	<b>1993380</b>	<b>TF3110</b> <b>TF3110KMG</b>
<b>SMB</b>									
C3 - 17,5"		311x203	CO +0 mm	19608/19609	<b>1986201</b>	<b>RIV515TF</b>		<b>1960870*</b>	
C5 - 19,5"		360x200	CO +0 mm	19718/19719	<b>1971802</b>	<b>RIV515TF</b>			
C2/L2 PROPAR P13, LUN, PSL - 22,5"		419x178	CO +0 mm	19613/19614	<b>1961313</b>	<b>RIV515TF</b>		<b>1961370</b>	
C1/L1 - 22,5"		419x203	CO +0 mm	19557/19606	<b>1955713</b>	<b>RIV515TF</b>		<b>1955770</b>	
<b>TRAILOR</b>									
300x150 - 17,5"		300x150	CO +0 mm	19517/19518	<b>1951701</b>	<b>RIV815</b>			
MS300 300x200 - 17,5"		300x200	CO +0 mm	19967/19968	<b>1996708</b>	<b>RIV515TF</b>			
355x150 - 19,5" Rivet Ø 5 mm		355x150	CO +0 mm	19912/19913	<b>1991200929TR</b> <b>AILOR</b>	<b>RIV515TF</b>			
355x150 - 19,5" Rivet Ø 8 mm		355x150	CO +0 mm	19912/19913	<b>1991201</b>	<b>RIV818</b>			
S4215 - 22,5"		414x151	CO +0 mm	19359/19360	<b>1935900929</b>	<b>RIV618</b>			
419x150 - 22,5"		419x150	CO +0 mm	19672/19673	<b>1967200929</b>	<b>RIV515TF</b>			
419x178 - 22,5"		419x178	CO +0 mm	19036/19037	<b>1903616</b>	<b>RIV516</b>			
419x203 - 22,5"		419x203	CO +0 mm	19365/19366	<b>1936515</b>	<b>RIV516</b>			
<b>VOLVO TRUCKS</b>									
F10 SERIE (F10/260; F10/280; F10/300) (6x2) 01.87-12.94	AV/F	410x150	MERITOR axle load 6.5 t	19941	<b>1994102</b>	<b>RIVL09</b>	<b>MAC9941/2</b>	<b>1994180</b>	
	AV/F	410x175	MERITOR axle load 7.5 t	19090	<b>1909000764</b> <b>1909002</b>	<b>RIVL11</b>	<b>MAC9090/2</b>	<b>1909080</b>	
	AR/R2	410x150		19941	<b>1994102</b>	<b>RIVL09</b>	<b>MAC9941/2</b>	<b>1994180</b>	
	AR/R	410x175	MERITOR CAME Z	19090	<b>1909000764</b> <b>1909002</b>	<b>RIVL11</b>	<b>MAC9090/2</b>	<b>1909080</b>	
	AR/R	410x200		19071	<b>1907100764</b> <b>1907102</b>	<b>RIVL11</b>	<b>MAC9071/2</b>	<b>1907180</b>	

\* Kit mâchoires garnies sans accessoires / Lined brake shoes kit without fitting kit



# APPLICATION PAR VEHICULES APPLICATION BY VEHICLES



## VOLVO TRUCKS ../..

F10 SERIE (F10/260; F10/280; F10/300; F10/320) (4x2) 01.87-12.94	AV/F	410x150	MERITOR axle load 6.5 t	19941	<b>1994102</b>	<b>RIVL09</b>	<b>MAC9941/2</b>	<b>1994180</b>
	AV/F	410x175	MERITOR axle load 7.5 t>	19090	<b>1909000764</b> <b>1909002</b>	<b>RIVL11</b>	<b>MAC9090/2</b>	<b>1909080</b>
	AR/R	410x200	MERITOR	19071	<b>1907100764</b> <b>1907102</b>	<b>RIVL11</b>	<b>MAC9071/2</b>	<b>1907180</b>
F10 SERIE (F10/260; F10/280; F10/300; F10/320) (6x4) 01.87-12.94	AV/F	410x150	MERITOR axle load 6.5 t	19941	<b>1994102</b>	<b>RIVL09</b>	<b>MAC9941/2</b>	<b>1994180</b>
	AV/F	410x175	MERITOR axle load 7.5 t>	19090	<b>1909000764</b> <b>1909002</b>	<b>RIVL11</b>	<b>MAC9090/2</b>	<b>1909080</b>
	AR/R	410x175	MERITOR	19090	<b>1909000764</b> <b>1909002</b>	<b>RIVL11</b>	<b>MAC9090/2</b>	<b>1909080</b>
F12 SERIE (F12 Intercooler FAT 6,5) (6x2) <b>01.80-12.85</b>	AR/R	410x200	CAME Z	19071	<b>1907100764</b> <b>1907102</b>	<b>RIVL11</b>	<b>MAC9071/2</b>	<b>1907180</b>
	AV/F	413x152	VOLVO	19560/19561	<b>1956002</b>	<b>RIVL10</b>		
F12 SERIE (F12/320; F12/330; F12/360; F12/370; F12/400; F12/410) (6x2) 01.87-12.94	AR/R	394x254	VOLVO	19799/19800	<b>1979901</b>	<b>RIVL11</b>		
	AV/F	410x175	MERITOR axle load 6.5 t	19090	<b>1909000764</b> <b>1909002</b>	<b>RIVL11</b>	<b>MAC9090/2</b>	<b>1909080</b>
	AV/F	410x200	MERITOR axle load 7.5 t>	19071	<b>1907100764</b> <b>1907102</b>	<b>RIVL11</b>	<b>MAC9071/2</b>	<b>1907180</b>
	AR/R2	410x125	MERITOR	17992	<b>1799202</b>	<b>RIVL09</b>	<b>MAC7992/2</b>	<b>1799280</b>
	AR/R2	410x150	MERITOR (OPTION)	19941	<b>1994102</b>	<b>RIVL09</b>	<b>MAC9941/2</b>	<b>1994180</b>
	AR/R	410x225	MERITOR	19068	<b>1906802</b>	<b>RIVL10</b>	<b>MAC9068/2</b>	<b>1906880</b>
F12 SERIE (F12/320; F12/330; F12/370) (4x2 & 6x4) 08.77-12./86	AR/R	410x200	MERITOR (TD121G,SR 62)	19071	<b>1907100764</b> <b>1907102</b>	<b>RIVL11</b>	<b>MAC9071/2</b>	<b>1907180</b>
	AV/F	394x178	VOLVO	19467/19468	<b>1946703</b>	<b>RIVL11</b>		
F12 SERIE (F12/320; F12/360; F12/370; F12/400; F12/410) (4x2) 01.87-12.94	AR/R	394x254	VOLVO	19799/19800	<b>1979901</b>	<b>RIVL11</b>		
	AV/F	410x175	MERITOR axle load 6.5 t	19090	<b>1909000764</b> <b>1909002</b>	<b>RIVL11</b>	<b>MAC9090/2</b>	<b>1909080</b>
	AV/F	410x200	MERITOR axle load 7.5 t>	19071	<b>1907100764</b> <b>1907102</b>	<b>RIVL11</b>	<b>MAC9071/2</b>	<b>1907180</b>
F16 SERIE (F16/470; F16/485; F16/500) (4x2) 01.88-12.94	AR/R	410x225	MERITOR	19068	<b>1906802</b>	<b>RIVL10</b>	<b>MAC9068/2</b>	<b>1906880</b>
	AV/F	410x200	MERITOR	19071	<b>1907100764</b> <b>1907102</b>	<b>RIVL11</b>	<b>MAC9071/2</b>	<b>1907180</b>
	AR/R	410x225	CAME Z	19068	<b>1906802</b>	<b>RIVL10</b>	<b>MAC9068/2</b>	<b>1906880</b>

# APPLICATION PAR VEHICULES APPLICATION BY VEHICLES



## VOLVO TRUCKS ../..

F16 SERIE (F16/470; F16/485; F16/500) (6x2) 01.88-12.94	AV/F	410x175	MERITOR axle load 6.5 t	19090	<b>1909000764</b> <b>1909002</b>	<b>RIVL11</b>	<b>MAC9090/2</b>	<b>1909080</b>
	AV/F	410x200	MERITOR axle load 7.5 t>	19071	<b>1907100764</b> <b>1907102</b>	<b>RIVL11</b>	<b>MAC9071/2</b>	<b>1907180</b>
	AR/R2	410x125	MERITOR	17992	<b>1799202</b>	<b>RIVL09</b>	<b>MAC7992/2</b>	<b>1799280</b>
	AR/R2	410x150	MERITOR(OP)	19941	<b>1994102</b>	<b>RIVL09</b>	<b>MAC9941/2</b>	<b>1994180</b>
	AR/R	410x225	MERITOR	19068	<b>1906802</b>	<b>RIVL10</b>	<b>MAC9068/2</b>	<b>1906880</b>
F16 SERIE (F16/470; F16/485; F16/500) (6x4) 01.88-12.94	AR/R	410x200	MERITOR (TD 121G, SR 62)	19071	<b>1907100764</b> <b>1907102</b>	<b>RIVL11</b>	<b>MAC9071/2</b>	<b>1907180</b>
	AV/F	410x175	MERITOR axle load 6.5 t	19090	<b>1909000764</b> <b>1909002</b>	<b>RIVL11</b>	<b>MAC9090/2</b>	<b>1909080</b>
	AV/F	410x200	MERITOR axle load 7.5 t>	19071	<b>1907100764</b> <b>1907102</b>	<b>RIVL11</b>	<b>MAC9071/2</b>	<b>1907180</b>
F4 SERIE (F406; F408) (4x2) 09.75- 02.86	AR/R	410x200	MERITOR	19071	<b>1907100764</b> <b>1907102</b>	<b>RIVL11</b>	<b>MAC9071/2</b>	<b>1907180</b>
	AV/F	310x100	BENDIX	17829/17799	<b>1782900929</b>	<b>RIV512</b>		
F6 SERIE (F609; F610; F611; F612; F613; F614) (4x2) 03.75-10.86	AR/R	310x125	(HYDRO)	17831/17832	<b>1783100764</b> <b>1783102</b>	<b>RIV512</b>		
	AV/F	394x127	AP	17804	<b>1780400412</b>	<b>RIV615T11</b>		
F6 SERIE (F615S; F616; F617S) (4x2) 12.78-02.86	AR/R	394x152	LOCKHEED	19622	<b>1962200412</b>	<b>RIV615T11</b>		
	AV/F	381x178	MERITOR	19384/19385	<b>1938400764</b> <b>1938414</b>	<b>RIV10.10</b>		
F7 SERIE (4x2 & 6x2) 08.78-12.85	AR/R	381x178	DUPLEX	19384/19385	<b>1938400764</b> <b>1938414</b>	<b>RIV10.10</b>		
	AV/F	381x178	MERITOR	19384/19385	<b>1938400764</b> <b>1938414</b>	<b>RIV10.10</b>		
FE II SERIE (FE240-18; FE240-26; FE250-18; FE250-26; FE260-18; FE260- 26; FE280-18; FE280-26; FE300-18; FE300-26; FE320-18; FE320-26; FE340- 18; FE340-26) (4x2 & 6x2 & 6x2/4 & 6x4) 05.12-	AV/F	410x175		19090	<b>1909000764</b> <b>1909002</b>	<b>RIVL11</b>	<b>MAC9090/2</b>	<b>1909080</b>
	AR/R	410x200		19071	<b>1907100764</b> <b>1907102</b>	<b>RIVL11</b>	<b>MAC9071/2</b>	<b>1907180</b>
	AR/R	410x225	MERITOR	19068	<b>1906802</b>	<b>RIVL10</b>	<b>MAC9068/2</b>	<b>1906880</b>
	AV/F	410x175	(OPTION)	19090	<b>1909000764</b> <b>1909002</b>	<b>RIVL11</b>	<b>MAC9090/2</b>	<b>1909080</b>
	AR/R	410x200		19071	<b>1907100764</b> <b>1907102</b>	<b>RIVL11</b>	<b>MAC9071/2</b>	<b>1907180</b>
	AR/R	410x225		19068	<b>1906802</b>	<b>RIVL10</b>	<b>MAC9068/2</b>	<b>1906880</b>

# APPLICATION PAR VEHICULES APPLICATION BY VEHICLES



## VOLVO TRUCKS ../..

FH II SERIE (420; 460; 500; 540) (4x2 & 6x2 & 6x2/4 & 6x4 & 8x2/4 & 8x4 & 8x4/4) 05.12-	AV/F	410x175		19090	<b>1909000764</b>	<b>RIVL11</b>	<b>MAC9090/2</b>	<b>1909080</b>	<b>TF1667</b>
			MERITOR <b>(OPTION)</b>		<b>1909002</b>				<b>TF1667KMG</b>
	AR/R	410x200		19071	<b>1907100764</b>	<b>RIVL11</b>	<b>MAC9071/2</b>	<b>1907180</b>	<b>TF1660</b>
					<b>1907102</b>				<b>TF1660KMG</b>
	AR/R	410x225		19068	<b>1906802</b>	<b>RIVL10</b>	<b>MAC9068/2</b>	<b>1906880</b>	<b>TF1655</b>
									<b>TF1655KMG</b>
FH SERIE (400; 420; 440; 460; 480; 500; 520; 540; 550; 610) (4x2 & 6x2 & 6x2/4 & 6x4 & 8x2/4 & 8x4 & 8x4/4) 09.05-04.12	AV/F	410x175		19090	<b>1909000764</b>	<b>RIVL11</b>	<b>MAC9090/2</b>	<b>1909080</b>	<b>TF1667</b>
			MERITOR <b>(OPTION)</b>		<b>1909002</b>				<b>TF1667KMG</b>
	AR/R	410x200		19071	<b>1907100764</b>	<b>RIVL11</b>	<b>MAC9071/2</b>	<b>1907180</b>	<b>TF1660</b>
					<b>1907102</b>				<b>TF1660KMG</b>
	AR/R	410x225		19068	<b>1906802</b>	<b>RIVL10</b>	<b>MAC9068/2</b>	<b>1906880</b>	<b>TF1655</b>
									<b>TF1655KMG</b>
FH12 SERIE (FH12/340; FH12/380; FH12/420; FH12/460) (4x2) 08.93-	AV/F	410x175	MERITOR	19090	<b>1909000764</b>	<b>RIVL11</b>	<b>MAC9090/2</b>	<b>1909080</b>	<b>TF1667</b>
					<b>1909002</b>				<b>TF1667KMG</b>
	AV/F	410x200	MERITOR <b>(OPTION)</b>	19071	<b>1907100764</b>	<b>RIVL11</b>	<b>MAC9071/2</b>	<b>1907180</b>	<b>TF1660</b>
					<b>1907102</b>				<b>TF1660KMG</b>
	AR/R	410x225	MERITOR	19068	<b>1906802</b>	<b>RIVL10</b>	<b>MAC9068/2</b>	<b>1906880</b>	<b>TF1655</b>
									<b>TF1655KMG</b>
FH12 SERIE (FH12/340; FH12/380; FH12/420; FH12/460) (6x4 & 8x4/4) 08.93-	AV/F	410x175	MERITOR	19090	<b>1909000764</b>	<b>RIVL11</b>	<b>MAC9090/2</b>	<b>1909080</b>	<b>TF1667</b>
					<b>1909002</b>				<b>TF1667KMG</b>
	AV/F	410x200	MERITOR <b>(OPTION)</b>	19071	<b>1907100764</b>	<b>RIVL11</b>	<b>MAC9071/2</b>	<b>1907180</b>	<b>TF1660</b>
					<b>1907102</b>				<b>TF1660KMG</b>
	AR/R	410x200	MERITOR	19071	<b>1907100764</b>	<b>RIVL11</b>	<b>MAC9071/2</b>	<b>1907180</b>	<b>TF1660</b>
					<b>1907102</b>				<b>TF1660KMG</b>
FH12 SERIE (FH12/340; FH12/380; FH12/420; FH12/460; FH12/500) (6x2 & 6x2/2/4 & 8x2/4) 08.93-	AV/F	410x175	MERITOR	19090	<b>1909000764</b>	<b>RIVL11</b>	<b>MAC9090/2</b>	<b>1909080</b>	<b>TF1667</b>
					<b>1909002</b>				<b>TF1667KMG</b>
	AV/F	410x200	MERITOR <b>(OPTION)</b>	19071	<b>1907100764</b>	<b>RIVL11</b>	<b>MAC9071/2</b>	<b>1907180</b>	<b>TF1660</b>
					<b>1907102</b>				<b>TF1660KMG</b>
	AR/R2	410x125		17992	<b>1799202</b>	<b>RIVL09</b>	<b>MAC7992/2</b>	<b>1799280</b>	
	AR/R	410x225	MERITOR	19068	<b>1906802</b>	<b>RIVL10</b>	<b>MAC9068/2</b>	<b>1906880</b>	<b>TF1655</b>
									<b>TF1655KMG</b>

# APPLICATION PAR VEHICULES APPLICATION BY VEHICLES



## VOLVO TRUCKS ../..

FH16 II SERIE (FH16/540; FH16/600; FH16/700; FH16/750) (4x2 & 6x2/4 & 6x4 & 8x2/4 & 8x4/4) 05.12-	AV/F	410x175		19090	<b>1909000764</b> <b>1909002</b>	<b>RIVL11</b>	<b>MAC9090/2</b>	<b>1909080</b>	<b>TF1667</b> <b>TF1667KMG</b>
	AR/R	410x200	MERITOR (OPTION)	19071	<b>1907100764</b> <b>1907102</b>	<b>RIVL11</b>	<b>MAC9071/2</b>	<b>1907180</b>	<b>TF1660</b> <b>TF1660KMG</b>
	AR/R	410x225		19068	<b>1906802</b>	<b>RIVL10</b>	<b>MAC9068/2</b>	<b>1906880</b>	<b>TF1655</b> <b>TF1655KMG</b>
FH16 SERIE (FH16/470; FH16/520) (4x2) 08.93-12.02	AV/F	410x175	MERITOR	19090	<b>1909000764</b> <b>1909002</b>	<b>RIVL11</b>	<b>MAC9090/2</b>	<b>1909080</b>	<b>TF1667</b> <b>TF1667KMG</b>
	AV/F	410x200	MERITOR (OPTION)	19071	<b>1907100764</b> <b>1907102</b>	<b>RIVL11</b>	<b>MAC9071/2</b>	<b>1907180</b>	<b>TF1660</b> <b>TF1660KMG</b>
	AR/R	410x225	MERITOR	19068	<b>1906802</b>	<b>RIVL10</b>	<b>MAC9068/2</b>	<b>1906880</b>	<b>TF1655</b> <b>TF1655KMG</b>
FH16 SERIE (FH16/470; FH16/520) (6x2 & 6x2/2/4) 08.93-12.02	AV/F	410x175	MERITOR	19090	<b>1909000764</b> <b>1909002</b>	<b>RIVL11</b>	<b>MAC9090/2</b>	<b>1909080</b>	<b>TF1667</b> <b>TF1667KMG</b>
	AV/F	410x200	MERITOR (OPTION)	19071	<b>1907100764</b> <b>1907102</b>	<b>RIVL11</b>	<b>MAC9071/2</b>	<b>1907180</b>	<b>TF1660</b> <b>TF1660KMG</b>
	AR/R2	410x125	MERITOR	17992	<b>1799202</b>	<b>RIVL09</b>	<b>MAC7992/2</b>	<b>1799280</b>	
FH16 SERIE (FH16/470; FH16/520) (6x4) 08.93-12.02	AR/R	410x225	MERITOR	19068	<b>1906802</b>	<b>RIVL10</b>	<b>MAC9068/2</b>	<b>1906880</b>	<b>TF1655</b> <b>TF1655KMG</b>
	AV/F	410x175	MERITOR	19090	<b>1909000764</b> <b>1909002</b>	<b>RIVL11</b>	<b>MAC9090/2</b>	<b>1909080</b>	<b>TF1667</b> <b>TF1667KMG</b>
	AV/F	410x200	MERITOR (OPTION)	19071	<b>1907100764</b> <b>1907102</b>	<b>RIVL11</b>	<b>MAC9071/2</b>	<b>1907180</b>	<b>TF1660</b> <b>TF1660KMG</b>
FH16 SERIE (FH16/540; FH16/550; FH16/580; FH16/600; FH16/610; FH16/660; FH16/700) (4x2 & 6x2 & 6x4 & 8x2 & 8x2/4 & 8x2/6 & 8x4 & 8x4/4) 01.03-04.12	AR/R	410x200	MERITOR (OPTION)	19071	<b>1907100764</b> <b>1907102</b>	<b>RIVL11</b>	<b>MAC9071/2</b>	<b>1907180</b>	<b>TF1660</b> <b>TF1660KMG</b>
	AR/R	410x225		19068	<b>1906802</b>	<b>RIVL10</b>	<b>MAC9068/2</b>	<b>1906880</b>	<b>TF1655</b> <b>TF1655KMG</b>
	AV/F	410x175		19090	<b>1909000764</b> <b>1909002</b>	<b>RIVL11</b>	<b>MAC9090/2</b>	<b>1909080</b>	<b>TF1667</b> <b>TF1667KMG</b>



# APPLICATION PAR VEHICULES APPLICATION BY VEHICLES



## VOLVO TRUCKS ../..

FL10 SERIE (FL10/280; FL10/320; FL10/360) (6x2 & 6x2/2/4) 09.85-09.98	AV/F	410x150	MERITOR axle load 6.5 t	19941	1994102	RIVL09	MAC9941/2	1994180
	AV/F	410x175	MERITOR axle load 7.5 t>	19090	1909000764 1909002	RIVL11	MAC9090/2	1909080
	AR/R2	410x125		17992	1799202	RIVL09	MAC7992/2	1799280
	AR/R2	410x150	MERITOR CAME Z	19941	1994102	RIVL09	MAC9941/2	1994180
	AR/R	410x200		19071	1907100764 1907102	RIVL11	MAC9071/2	1907180
FL10 SERIE (FL10/280; FL10/320; FL10/360; FL10H/320; FL10H/360) (4x2 & 4x4) 09.85-09.98	AV/F	410x150	MERITOR axle load 6.5 t	19941	1994102	RIVL09	MAC9941/2	1994180
	AV/F	410x175	MERITOR axle load 7.5 t>	19090	1909000764 1909002	RIVL11	MAC9090/2	1909080
	AR/R	410x200	MERITOR	19071	1907100764 1907102	RIVL11	MAC9071/2	1907180
FL10 SERIE (FL10/320; FL10/360; FL10H/320; FL10H/360) (6x4 & 8x2/4) 09.85-09.98	AV/F	410x150	MERITOR axle load 6.5 t	19941	1994102	RIVL09	MAC9941/2	1994180
	AV/F	410x175	MERITOR axle load 7.5 t>	19090	1909000764 1909002	RIVL11	MAC9090/2	1909080
	AR/R	410x175	MERITOR	19090	1909000764 1909002	RIVL11	MAC9090/2	1909080
	AR/R	410x200	MERITOR CAME Z	19071	1907100764 1907102	RIVL11	MAC9071/2	1907180
FL10 SERIE (FL10H/320; FL10H/360) (6x6 & 8x4/4) 09.85-09.98	AV/F	410x200	MERITOR	19071	1907100764 1907102	RIVL11	MAC9071/2	1907180
	AR/R	410x200	MERITOR CAME Z	19071	1907100764 1907102	RIVL11	MAC9071/2	1907180
FL12 SERIE (FL12/380; FL12/420) (6x2) 09.85-09.98	AV/F	410x150	MERITOR axle load 6.5 t	19941	1994102	RIVL09	MAC9941/2	1994180
	AV/F	410x175	MERITOR axle load 7.5 t>	19090	1909000764 1909002	RIVL11	MAC9090/2	1909080
	AR/R2	410x125		17992	1799202	RIVL09	MAC7992/2	1799280
	AR/R2	410x150	MERITOR CAME Z	19941	1994102	RIVL09	MAC9941/2	1994180
	AR/R	410x200		19071	1907100764 1907102	RIVL11	MAC9071/2	1907180

# APPLICATION PAR VEHICULES APPLICATION BY VEHICLES



## VOLVO TRUCKS ../..

FL12 SERIE (FL12/380; FL12/420; FL12H/380; FL12H/420) (4x2 & 4x4) 09.85-09.98	AV/F	410x150	MERITOR axle load 6.5 t	19941	<b>1994102</b>	<b>RIVL09</b>	<b>MAC9941/2</b>	<b>1994180</b>
	AV/F	410x175	MERITOR axle load 7.5 t>	19090	<b>1909000764</b> <b>1909002</b>	<b>RIVL11</b>	<b>MAC9090/2</b>	<b>1909080</b>
	AR/R	410x200	MERITOR	19071	<b>1907100764</b> <b>1907102</b>	<b>RIVL11</b>	<b>MAC9071/2</b>	<b>1907180</b>
FL12 SERIE (FL12/380; FL12/420; FL12H/380; FL12H/420) (6x4) 09.85- 09.98	AV/F	410x150	MERITOR axle load 6.5 t	19941	<b>1994102</b>	<b>RIVL09</b>	<b>MAC9941/2</b>	<b>1994180</b>
	AV/F	410x175	MERITOR axle load 7.5 t>	19090	<b>1909000764</b> <b>1909002</b>	<b>RIVL11</b>	<b>MAC9090/2</b>	<b>1909080</b>
	AR/R	410x175	MERITOR	19090	<b>1909000764</b> <b>1909002</b>	<b>RIVL11</b>	<b>MAC9090/2</b>	<b>1909080</b>
FL12 SERIE (FL12H/380; FL12H/420) (6x6 & 8x4/4) 09.85-09.98	AR/R	410x200	CAME Z	19071	<b>1907100764</b> <b>1907102</b>	<b>RIVL11</b>	<b>MAC9071/2</b>	<b>1907180</b>
	AV/F	410x200	MERITOR	19071	<b>1907100764</b> <b>1907102</b>	<b>RIVL11</b>	<b>MAC9071/2</b>	<b>1907180</b>
FL6 SERIE (FL608; FL610; FL611; FL612; FL614; FL619; FL615) (4x2) 09.85-03.00	AR/R	410x200	CAME Z	19071	<b>1907100764</b> <b>1907102</b>	<b>RIVL11</b>	<b>MAC9071/2</b>	<b>1907180</b>
	AV/F	360x140	MERITOR WEDGE	17357/17358	<b>1735700929</b>	<b>RIVL09</b>	<b>MAC7357</b>	<b>1735780</b>
FL6 SERIE (FL608; FL610; FL611; FL612; FL614; FL619; FL615) (4x2) 09.85-12.89	AR/R	360x140	BRAKE	17357/17359	<b>1735700929</b>	<b>RIVL09</b>	<b>MAC7357</b>	<b>1735780</b>
	AV/F	360x170	MERITOR	19269/19272	<b>1926901</b>	<b>RIVL09</b>		
FL6 SERIE (FL608; FL610; FL611; FL612; FL614; FL619; FL615) (4x2) 01.90-03.00	AR/R	360x170	MERITOR	19269/19272	<b>1926901</b>	<b>RIVL09</b>		
	AV/F	360x170	MERITOR WEDGE	19758/19759	<b>1975800764</b>	<b>RIVL09</b>	<b>MAC9758</b>	<b>1975880</b>
FL6 SERIE (FL615; FL616; FL617) (4x2) 01.86-12.89	AR/R	360x170	BRAKE	19758/19759	<b>1975800764</b>	<b>RIVL09</b>	<b>MAC9758</b>	<b>1975880</b>
	AV/F	381x178	MERITOR DUPLIX	19384/19385	<b>1938400764</b> <b>1938414</b>	<b>RIV10.10</b>		
FL6 SERIE (FL618) (4x2) 01.90-03.00	AR/R	381x178	MERITOR DUPLIX	19384/19385	<b>1938400764</b> <b>1938414</b>	<b>RIV10.10</b>		
	AV/F	381x200	MERITOR	19542	<b>19542003000</b>	<b>RIVL09</b>		
	AV/F	381x180	MERITOR axle	19492	<b>1949200929</b>	<b>RIVL09</b>		
	AR/R	381x180	load 6.5 t	19492	<b>1949200929</b>	<b>RIVL09</b>		
	AR/R	381x200	MERITOR	19542	<b>19542003000</b>	<b>RIVL09</b>		

# APPLICATION PAR VEHICULES APPLICATION BY VEHICLES



## VOLVO TRUCKS ..!..

FL7 SERIE (FL7/230; FL7/260; FL7/290) (4x2) 09.85-09.98	AV/F	410x150	MERITOR axle load 6.5 t	19941	<b>1994102</b>	<b>RIVL09</b>	<b>MAC9941/2</b>	<b>1994180</b>	
	AV/F	410x175	MERITOR axle load 7.5 t>	19090	<b>1909000764</b> <b>1909002</b>	<b>RIVL11</b>	<b>MAC9090/2</b>	<b>1909080</b>	
	AR/R	410x200	MERITOR	19071	<b>1907100764</b> <b>1907102</b>	<b>RIVL11</b>	<b>MAC9071/2</b>	<b>1907180</b>	
FL7 SERIE (FL7/230; FL7/260; FL7/290) (6x2 & 6x2/2/4) 09.85-09.98	AV/F	410x150	MERITOR axle load 6.5 t	19941	<b>1994102</b>	<b>RIVL09</b>	<b>MAC9941/2</b>	<b>1994180</b>	
	AV/F	410x175	MERITOR axle load 7.5 t>	19090	<b>1909000764</b> <b>1909002</b>	<b>RIVL11</b>	<b>MAC9090/2</b>	<b>1909080</b>	
	AR/R2	410x125		17992	<b>1799202</b>	<b>RIVL09</b>	<b>MAC7992/2</b>	<b>1799280</b>	
	AR/R2	410x150	MERITOR CAME Z	19941	<b>1994102</b>	<b>RIVL09</b>	<b>MAC9941/2</b>	<b>1994180</b>	
	AR/R	410x200		19071	<b>1907100764</b> <b>1907102</b>	<b>RIVL11</b>	<b>MAC9071/2</b>	<b>1907180</b>	
FL7 SERIE (FL7/290) (6x4) 09.85-09.98	AV/F	410x150	MERITOR axle load 6.5 t	19941	<b>1994102</b>	<b>RIVL09</b>	<b>MAC9941/2</b>	<b>1994180</b>	
	AV/F	410x175	MERITOR axle load 7.5 t>	19090	<b>1909000764</b> <b>1909002</b>	<b>RIVL11</b>	<b>MAC9090/2</b>	<b>1909080</b>	
	AR/R	410x175	MERITOR	19090	<b>1909000764</b> <b>1909002</b>	<b>RIVL11</b>	<b>MAC9090/2</b>	<b>1909080</b>	
	AR/R	410x200	CAME Z	19071	<b>1907100764</b> <b>1907102</b>	<b>RIVL11</b>	<b>MAC9071/2</b>	<b>1907180</b>	
FM SERIE (FM300; FM330; FM340; FM360; FM370; FM380; FM390; FM400; FM410; FM420; FM430; FM440; FM450; FM460; FM480; FM500) (4x2 & 4x4 & 6x2 & 6x2/4 & 6x4 & 6x6 & 8x2/4 & 8x2/6 & 8x4/4) 09.05-	AV/F	410x175		19090	<b>1909000764</b> <b>1909002</b>	<b>RIVL11</b>	<b>MAC9090/2</b>	<b>1909080</b>	<b>TF1667</b> <b>TF1667KMG</b>
	AR/R	410x200	MERITOR (OPTION)	19071	<b>1907100764</b> <b>1907102</b>	<b>RIVL11</b>	<b>MAC9071/2</b>	<b>1907180</b>	<b>TF1660</b> <b>TF1660KMG</b>
	AR/R	410x225		19068	<b>1906802</b>	<b>RIVL10</b>	<b>MAC9068/2</b>	<b>1906880</b>	<b>TF1655</b> <b>TF1655KMG</b>
FM10 SERIE (FM10/320; FM10/360) (4x2) 04.99-12.01	AV/F	410x175	MERITOR	19090	<b>1909000764</b> <b>1909002</b>	<b>RIVL11</b>	<b>MAC9090/2</b>	<b>1909080</b>	
	AV/F	410x200	MERITOR (OPTION)	19071	<b>1907100764</b> <b>1907102</b>	<b>RIVL11</b>	<b>MAC9071/2</b>	<b>1907180</b>	
	AR/R	410x225	MERITOR	19068	<b>1906802</b>	<b>RIVL10</b>	<b>MAC9068/2</b>	<b>1906880</b>	

# APPLICATION PAR VEHICULES APPLICATION BY VEHICLES



## VOLVO TRUCKS ..!..

FM10 SERIE (FM10/320; FM10/360) (6x2) 04.99-12.01	AV/F	410x175	MERITOR	19090	<b>1909000764</b> <b>1909002</b>	<b>RIVL11</b>	<b>MAC9090/2</b>	<b>1909080</b>
	AV/F	410x200	MERITOR (OPTION)	19071	<b>1907100764</b> <b>1907102</b>	<b>RIVL11</b>	<b>MAC9071/2</b>	<b>1907180</b>
	AR/R2	410x125	MERITOR	17992	<b>1799202</b>	<b>RIVL09</b>	<b>MAC7992/2</b>	<b>1799280</b>
	AR/R	410x225	CAME Z	19068	<b>1906802</b>	<b>RIVL10</b>	<b>MAC9068/2</b>	<b>1906880</b>
FM12 SERIE (FM12/340; FM12/380; FM12/420) (4x2) 08.98-09.05	AV/F	410x175	MERITOR	19090	<b>1909000764</b> <b>1909002</b>	<b>RIVL11</b>	<b>MAC9090/2</b>	<b>1909080</b>
	AV/F	410x200	MERITOR (OPTION)	19071	<b>1907100764</b> <b>1907102</b>	<b>RIVL11</b>	<b>MAC9071/2</b>	<b>1907180</b>
	AR/R	410x225	MERITOR	19068	<b>1906802</b>	<b>RIVL10</b>	<b>MAC9068/2</b>	<b>1906880</b>
FM12 SERIE (FM12/340; FM12/380; FM12/420) (6x2 & 8x2/2/4) 08.98-09.05	AV/F	410x175	MERITOR	19090	<b>1909000764</b> <b>1909002</b>	<b>RIVL11</b>	<b>MAC9090/2</b>	<b>1909080</b>
	AV/F	410x200	MERITOR (OPTION)	19071	<b>1907100764</b> <b>1907102</b>	<b>RIVL11</b>	<b>MAC9071/2</b>	<b>1907180</b>
	AR/R2	410x125	MERITOR	17992	<b>1799202</b>	<b>RIVL09</b>	<b>MAC7992/2</b>	<b>1799280</b>
	AR/R	410x225	CAME Z	19068	<b>1906802</b>	<b>RIVL10</b>	<b>MAC9068/2</b>	<b>1906880</b>
FM12 SERIE (FM12/340; FM12/380; FM12/420) (6x4 & 8x4/4) 08.98-09.05	AV/F	410x175	MERITOR	19090	<b>1909000764</b> <b>1909002</b>	<b>RIVL11</b>	<b>MAC9090/2</b>	<b>1909080</b>
	AV/F	410x200	MERITOR (OPTION)	19071	<b>1907100764</b> <b>1907102</b>	<b>RIVL11</b>	<b>MAC9071/2</b>	<b>1907180</b>
	AR/R	410x200	MERITOR	19071	<b>1907100764</b> <b>1907102</b>	<b>RIVL11</b>	<b>MAC9071/2</b>	<b>1907180</b>
FM7 SERIE (FM7/250; FM7/290) (4x2) 08.98-12.01	AV/F	410x175	MERITOR	19090	<b>1909000764</b> <b>1909002</b>	<b>RIVL11</b>	<b>MAC9090/2</b>	<b>1909080</b>
	AV/F	410x200	MERITOR (OPTION)	19071	<b>1907100764</b> <b>1907102</b>	<b>RIVL11</b>	<b>MAC9071/2</b>	<b>1907180</b>
	AR/R	410x225	MERITOR	19068	<b>1906802</b>	<b>RIVL10</b>	<b>MAC9068/2</b>	<b>1906880</b>
FM7 SERIE (FM7/250; FM7/290) (6x2) 08.98-12.01	AV/F	410x175	MERITOR	19090	<b>1909000764</b> <b>1909002</b>	<b>RIVL11</b>	<b>MAC9090/2</b>	<b>1909080</b>
	AV/F	410x200	MERITOR (OPTION)	19071	<b>1907100764</b> <b>1907102</b>	<b>RIVL11</b>	<b>MAC9071/2</b>	<b>1907180</b>
	AR/R2	410x125	MERITOR	17992	<b>1799202</b>	<b>RIVL09</b>	<b>MAC7992/2</b>	<b>1799280</b>
	AR/R	410x225	CAME Z	19068	<b>1906802</b>	<b>RIVL10</b>	<b>MAC9068/2</b>	<b>1906880</b>



# APPLICATION PAR VEHICULES APPLICATION BY VEHICLES



## VOLVO TRUCKS ../..

FM7 SERIE (FM7/250; FM7/290) (6x4) 08.98-12.01	AV/F	410x175	MERITOR	19090	<b>1909000764</b> <b>1909002</b>	<b>RIVL11</b>	<b>MAC9090/2</b>	<b>1909080</b>	
	AV/F	410x200	MERITOR (OPTION)	19071	<b>1907100764</b> <b>1907102</b>	<b>RIVL11</b>	<b>MAC9071/2</b>	<b>1907180</b>	
	AR/R	410x200	MERITOR	19071	<b>1907100764</b> <b>1907102</b>	<b>RIVL11</b>	<b>MAC9071/2</b>	<b>1907180</b>	
FMX II SERIE ( 330; 370; 380; 400; 410; 420; 430; 440; 450; 460; 480; 500; 540) (4x2 & 4x4 & 6x2 & 6x2/4 & 6x4 & 6x6 & 8x2/4 & 8x2/6 & 8x4/4) 04.12-	AV/F	410x175		19090	<b>1909000764</b> <b>1909002</b>	<b>RIVL11</b>	<b>MAC9090/2</b>	<b>1909080</b>	<b>TF1667</b> <b>TF1667KMG</b>
	AR/R	410x200	MERITOR (OPTION)	19071	<b>1907100764</b> <b>1907102</b>	<b>RIVL11</b>	<b>MAC9071/2</b>	<b>1907180</b>	<b>TF1660</b> <b>TF1660KMG</b>
	AR/R	410x225		19068	<b>1906802</b>	<b>RIVL10</b>	<b>MAC9068/2</b>	<b>1906880</b>	<b>TF1655</b> <b>TF1655KMG</b>
FMX SERIE (330; 370; 380; 400; 410; 420; 430; 440; 450; 460; 480; 500; 540) (4x2 & 4x4 & 6x2 & 6x2/4 & 6x4 & 6x6 & 8x2/4 & 8x2/6 & 8x4/4) 04.10-03.12	AV/F	410x175		19090	<b>1909000764</b> <b>1909002</b>	<b>RIVL11</b>	<b>MAC9090/2</b>	<b>1909080</b>	<b>TF1667</b> <b>TF1667KMG</b>
	AR/R	410x200	MERITOR (OPTION)	19071	<b>1907100764</b> <b>1907102</b>	<b>RIVL11</b>	<b>MAC9071/2</b>	<b>1907180</b>	<b>TF1660</b> <b>TF1660KMG</b>
	AR/R	410x225		19068	<b>1906802</b>	<b>RIVL10</b>	<b>MAC9068/2</b>	<b>1906880</b>	<b>TF1655</b> <b>TF1655KMG</b>
FS7 SERIE (FS718/230; FS718/260) (4x2) 09.94-03.96	AV/F	381x200	MERITOR	19542	<b>19542003000</b>	<b>RIVL09</b>			
	AV/F	381x180	MERITOR axle	19492	<b>1949200929</b>	<b>RIVL09</b>			
	AR/R	381x180	load 6.5 t	19492	<b>1949200929</b>	<b>RIVL09</b>			
N10 SERIE (N10/270; N10/300) (4x2 & 6x2 & 6x4 & 6x6) 01.73-12.89	AR/R	381x200	MERITOR	19542	<b>19542003000</b>	<b>RIVL09</b>			
	AV/F	394x178	VOLVO	19467/19468	<b>1946703</b>	<b>RIVL11</b>			
	AR/R	394x203		19562/19563	<b>1956202</b>	<b>RIVL11</b>			
N12 SERIE (N12) 01.85-	AV/F	410x150	MERITOR	19941	<b>1994102</b>	<b>RIVL09</b>	<b>MAC9941/2</b>	<b>1994180</b>	
	AV/F	410x175	MERITOR (OPTION)	19090	<b>1909000764</b> <b>1909002</b>	<b>RIVL11</b>	<b>MAC9090/2</b>	<b>1909080</b>	
	AR/R2	410x125	MERITOR	17992	<b>1799202</b>	<b>RIVL09</b>	<b>MAC7992/2</b>	<b>1799280</b>	
	AR/R	410x200	CAME Z	19071	<b>1907100764</b> <b>1907102</b>	<b>RIVL11</b>	<b>MAC9071/2</b>	<b>1907180</b>	
N7 SERIE (N7) (4x2)	AR/R	410x225	MERITOR (OPTION)	19068	<b>1906802</b>	<b>RIVL10</b>	<b>MAC9068/2</b>	<b>1906880</b>	
	AV/F	394x178	VOLVO	19467/19468	<b>1946703</b>	<b>RIVL11</b>			
	AR/R	394x203		19562/19563	<b>1956202</b>	<b>RIVL11</b>			

# APPLICATION PAR VEHICULES APPLICATION BY VEHICLES



## VOLVO TRUCKS ../..

	AV/F	410x150	MERITOR	19941	<b>1994102</b>	<b>RIVL09</b>	<b>MAC9941/2</b>	<b>1994180</b>
	AV/F	410x175	MERITOR (OPTION)	19090	<b>1909000764</b> <b>1909002</b>	<b>RIVL11</b>	<b>MAC9090/2</b>	<b>1909080</b>
NH12 SERIE (NH12/340; NH12/380; NH12/420) (4x2 & 6x4) 05.99-	AR/R2	410x125	MERITOR	17992	<b>1799202</b>	<b>RIVL09</b>	<b>MAC7992/2</b>	<b>1799280</b>
	AR/R	410x200	CAME Z	19071	<b>1907100764</b> <b>1907102</b>	<b>RIVL11</b>	<b>MAC9071/2</b>	<b>1907180</b>
	AR/R	410x225	MERITOR (OPTION)	19068	<b>1906802</b>	<b>RIVL10</b>	<b>MAC9068/2</b>	<b>1906880</b>

## YORK TRAILERS

311x127 HENDRICKSON Brake - 17,5"	311x127	CO +0 mm		17942/17943	<b>17942003658</b>	<b>RIVL10</b>		
311x177 - 17,5"	311x177	CO +0 mm		19783/19784	<b>19783007222</b>	<b>RIVL09</b>		
311x209 - 17,5"	311x209	CO +0 mm		19826/19827	<b>19826007222</b>	<b>RIVL10</b>		
335x150 - 19,5"	335x150	CO +0 mm		17362	<b>17362007222</b>	<b>RIVL09</b>		
335x210 - 19,5"	335x210	CO +0 mm		19700	<b>19700003658</b>	<b>RIVL09</b>		
419x178 - 22,5"	419x178	CO +0 mm		19036/19037	<b>1903712</b>	<b>RIVL09</b>		
419x219 - 22,5"	419x219	CO +0 mm		19369/19370	<b>1936912</b>	<b>RIVL10</b>		

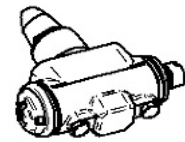
Automotive

# PIECES DE FREINAGE POUR GRUES MOBILES BRAKE PARTS FOR MOBILE CRANES



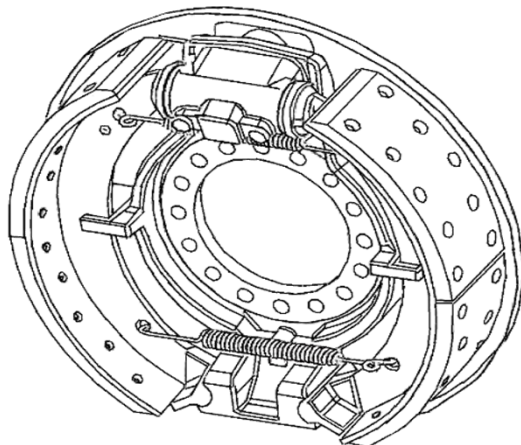
	OBS	Designation	WVA	
Garnitures de frein/ Brake lining				
410x180	OLD	8 trous/holes rivet 10x18	19723	<b>19723001549</b>
410x180	NEW	10 trous/holes rivet 8x18	19113	<b>19113001549</b>
500x120	OLD	8 trous/holes rivet 10x18	17237	<b>17237001549</b>
500x120	NEW	10 trous/holes rivet 8x18	17374	<b>17374001549</b>
500x160	OLD	8 trous/holes rivet 10x18	19687	<b>19687001549</b>
500x160	NEW	10 trous/holes rivet 8x18	19042	<b>19042001549</b>
500x180	OLD	8 trous/holes rivet 10x18	19690	<b>19690001549</b>
500x180	NEW	14 trous/holes rivet 8x18	19041	<b>19041001549</b>

## Ecarteurs / Expanders

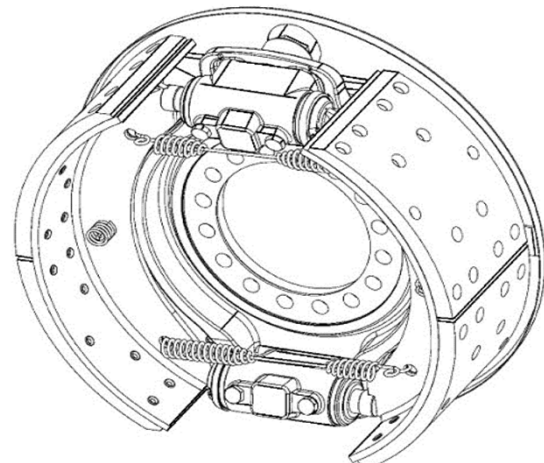


410x180	KNOTT	SIMPLEX		<b>ECF005</b>
410x180	KNOTT	DUPLEX		<b>ECF006</b>
410x180	PERROT	SIMPLEX		<b>ECF003</b>
410x180	PERROT	DUPLEX		<b>ECF004</b>
500x120	KNOTT	SIMPLEX		<b>ECF005</b>
500x120	PERROT	SIMPLEX		<b>ECF003</b>
500x160	KNOTT	SIMPLEX		<b>ECF005</b>
500x160	PERROT	SIMPLEX		<b>ECF003</b>
500x180	KNOTT	DUPLEX		<b>ECF006</b>
500x180	PERROT	DUPLEX		<b>ECF004</b>


**Frein Simplex  
Simplex Brake**



**Frein Duplex  
Duplex Brake**



**PIECES DE FREINAGE POUR GRUES MOBILES  
BRAKE PARTS FOR MOBILE CRANES**

	Designation	Ressort Rappel / release spring	Ressort compression / pressure spring
410x180	SIMPLEX	<b>RES012</b>	
410x180	DUPLEX	<b>RES011</b>	<b>RES010</b>
500x120	SIMPLEX	<b>RES012</b>	
500x160	SIMPLEX	<b>RES012</b>	
500x180	DUPLEX	<b>RES011</b>	<b>RES010</b>



**RES010**



**RES011**







**RES012**








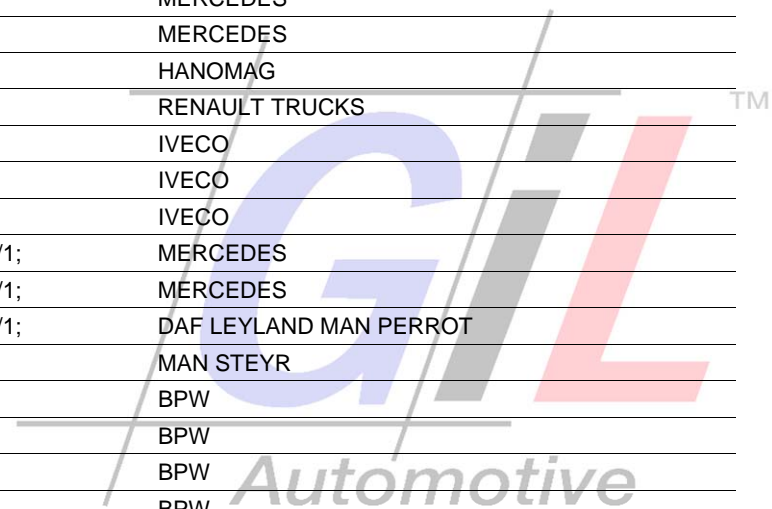
## RECHERCHE GARNITURES DE FREIN PAR DIMENSIONS BRAKE LINING RESEARCH BY SIZE

Larg/ Width	Ø Tamb/D rum	Nbr rivet/set	Nbr	WVA		Rivet Type		Int. Radius	BFMC	 
35	230,0	44	1+1+2	11019/11025/11582	<b>1101901</b>	4x10	<b>RIV410</b>	106,0	MB/90/1; MB/91/03;	MERCEDES PERROT
43	228,6	48	4	11308	<b>11308xx</b>	G05			ST/18/1;	BEDFORD
45	305,0	52	2+2	13464/13465	<b>1346400412</b>	4x8	<b>RIV408</b>	145,0	SA/15/1; SA/16/1;	RENAULT TRUCKS
50	230,0	40	4	13141	<b>13141xx</b>	G06			DK/17/1;	MERCEDES
50	280,0	48	4	13211	<b>13211xx</b>	G06				ALFRED TEVES
50	356,0	52	2+2	13053/13145	<b>13053001549</b>	4x8	<b>RIV408</b>	172,0	RN/70/1; RN/71/1;	RENAULT TRUCKS
52	285,0	60	2+2	13440/13441	<b>13440xx</b>					MERCEDES
55	260,0	52	2+2	13020/13532	<b>1302001</b>	4x10	<b>RIV410</b>	121,0	MB/88/1; MB/89/2;	MERCEDES PERROT
57	254,0	48	4	13156	<b>13156xx</b>	G05			FD/133/1;	DODGE
60	209,0	48	4	15734	<b>15734xx</b>					STEYR
62	330,2	48	2+2	15242/15243	<b>15242xx</b>	L07			BO/31/1; BO/32/1;	BEDFORD
65	270,0	40	4	15775	<b>15775xx</b>	4x8			VN/19/1;	VOLKSWAGEN
69	254,0	48	2+2	15368/15501	<b>15368xx</b>	4x8			FD/135/1; FD/134/1;	IVECO, LEYLAND
70	282,0	60	2+2	1558710/1558810	<b>15587xx</b>	5x10	<b>RIV510</b>			HANOMAG
70	300,0	52	2+2	15349/15350	<b>15349006510</b>	6x15	<b>RIV615T11</b>	140,0	MB/70/1; MB/69/1;	MERCEDES
70	305,0	52	2+2	15831/15832	<b>1583101</b>	4x8	<b>RIV408</b>	148,0	SA/20/1; SA/21/1;	RT
70	350,0		4	15295	<b>1529500412</b>					MERCEDES
70	367,0		4	15748	<b>15748001549</b>	6x15				MERCEDES
70	390,0		4	15300	<b>1530000929</b>	6x15	<b>RIV615</b>			MERCEDES
75	308,0	52	2+2	15838/15837	<b>15837xx</b>	G05		145,0	GG/182/1; GG/183/1;	FORD
75	360,0	52	2+2	15104/15107	<b>1510400412</b>	4x8	<b>RIV408</b>	174,0	RN/57/1; RN/58/1;	RENAULT TRUCKS
76	307,9	52	2+2	15662/15664	<b>15662xx</b>	H05				FORD
76	308,0	52	2+2	15562/15564	<b>15562xx</b>	H06		146,0	GG/145/1; GG/146/1;	BEDFORD
76	330,0	48	4	15789	<b>15789007000</b>	L07		156,0	GG/171/1;	FORD
76	330,2	48	4	15563	<b>15563xx</b>	L09	<b>RIVL09</b>		GG/149/1;	FORD
80	270,0	52	2+2	15030/15742	<b>1503002</b>	5x10	<b>RIV510</b>	127,0	MB/80/1; MB/81/3;	MERCEDES STEYR PERROT
80	270,0	52	2+2	15039/15742	<b>15039003653</b>	5x10	<b>RIV510</b>	127,0		IVECO PERROT
80	305,0	48	4	15698	<b>1569800928</b>	4x8	<b>RIV408</b>	145,0	SA/14/1;	RENAULT TRUCKS
80	305,0	48	8	15799	<b>1579900928</b>	6x15	<b>RIV615T11</b>	140,0	SE/1/1;	SAE
80	310,0	48	4		<b>CVL3098075</b>	4x8		147,0		RENAULT TRUCKS
80	325,0	52	2+2	15732/15733	<b>1573204</b>	6x12	<b>RIV612</b>	155,0	FI/101/1; FI/100/1;	IVECO PERROT
80	330,2	48	2+2	15280/15281	<b>15280xx</b>	L07		154,0	BO/38/1; BO/37/1;	BEDFORD
80	400,0	40	4	15247	<b>1524700929</b>	5x10	<b>RIV510</b>	140,0	FD/86/1;	BPW

Les garnitures de frein avec suffixes xx sont livrables sous 48-72 heures  
Brake linings xx suffixes are available in 48-72 hours





# RECHERCHE GARNITURES DE FREIN PAR DIMENSIONS BRAKE LINING RESEARCH BY SIZE

Larg/ Width	Ø Tamb/D rum	Nbr rivet/set	Nbr	WVA		Rivet Type		Int. Radius	BFMC	 
80	400,0	64	4	15306	<b>1530601</b>	5x10	<b>RIV510</b>	140,0		STEYR KNOTT
80	406,4	64	2+2	15248/15249	<b>15248xx</b>	L07			BO/27/1; BO/28/1;	BEDFORD
81	358,7	64	2+2	15245/15246	<b>15245xx</b>	L07				BEDFORD
81	360,0	64	2+2	15794/15795	<b>15794xx</b>	L07		167,0		BEDFORD
87	300,0	52	2+2	15059/15869	<b>1505900928</b>	6x10	<b>RIV610</b>	140,0	MB/107/1; MB/108/2;	MERCEDES
88	412,8	48	8	15185	<b>15185xx</b>	6,3x18	<b>RIV6.318</b>		SV/7/1;	SCANIA
90	300,0	40	4	15057	<b>1505700928</b>	8x15	<b>RIV815</b>	139,4	MB/64/1;	MERCEDES
90	308,0	40	4	15162	<b>1516203</b>	8x12	<b>RIV812</b>	147,0	MB/116/2;	MERCEDES
90	325,0	60	2+2	15586/15589	<b>15586xx</b>	5x10	<b>RIV510</b>			HANOMAG
90	406,0	64	4	15282	<b>1528200928</b>	5x15	<b>RIV515</b>	193,0	BT/48/1;	RENAULT TRUCKS
90	420,0	64	4	15207	<b>1520704</b>	8x18	<b>RIV818</b>	202,0	FI/79/2;	IVECO
90	420,0	64	4	15336	<b>15336xx</b>	8x15	<b>RIV815</b>	198,0	FI/80/1;	IVECO
90	420,0	64	4	15494	<b>1549402</b>	8x18	<b>RIV818</b>	198,0	FI/84/1;	IVECO
98	300,0	52	2+2	15580/15581	<b>15580xx</b>	6x10	<b>RIV610</b>	140,0	MB/72/1; MB/73/1;	MERCEDES
98	304,0	52	2+2	15580/15581	<b>1558008</b>	6x10	<b>RIV610</b>	140,0	MB/94/1; MB/95/1;	MERCEDES
98	325,0	44	2+2	15817/15823	<b>1581702</b>	8x20	<b>RIV820</b>	150,0	MP/37/1; MP/38/1;	DAF LEYLAND MAN PERROT
99	325,0	48	8	15879	<b>1587906</b>	8x15	<b>RIV815</b>	157,0	GG/209/1;	MAN STEYR
60	300,0	64	4	15004	<b>1500401</b>	4x10	<b>RIV410</b>	145,0	BC/52/1;	BPW
60	350,0	40	4	15044	<b>1504401</b>	6x10	<b>RIV610</b>		FD/85/1;	BPW
80	300,0	48	8	15077	<b>15077001541</b>	8x15	<b>RIV815</b>			BPW
80	310,0	64	4	55173	<b>55173001517</b>	6x15	<b>RIV615T11</b>			BPW
80	310,0	64	8	15826	<b>1582602</b>	6x15	<b>RIV615T11</b>			BPW
80	400,0	64	4	15031	<b>15031xx</b>	6x18	<b>RIV618</b>			KNOTT
100	300,0	40	4	57251	<b>57251001561</b>	8x15	<b>RIV812</b>			ADR
100	310,0	56	4	17946	<b>1794600929</b>	5x15	<b>RIV515</b>	147,5		NISSAN
100	310,0	60	2+2	17946/17945	<b>1794500929</b>	5x15	<b>RIV515</b>	147,5		NISSAN
100	400,0	56	4+4	17372/17373	<b>17372003653</b>	8x15	<b>RIV815</b>		FI/148/1; FI/149/1;	IVECO
101	320,0	48	4		<b>CVL32007595</b>	6x12	<b>RIV612</b>			MITSUBISHI
103	410,0	64	8	17739	<b>1773900934</b>	8x18	<b>RIV818</b>			MERCEDES
110	420,0				<b>17819xx</b>					IVECO
120	406,0	64	8	17016	<b>17016301561</b>	8x12	<b>RIV812</b>		BC/38/1;	COLAERT
127	311,0	80	4+4	17942/17943	<b>17942003658</b>	L10	<b>RIVL10</b>			YORK
135	300,0	40	4	57248	<b>57248001561</b>	8x15	<b>RIV812</b>			COLAERT ADR



Les garnitures de frein avec suffixes xx sont livrables sous 48-72 heures  
Brake linings xx suffixes are available in 48-72 hours





# RECHERCHE GARNITURES DE FREIN PAR DIMENSIONS BRAKE LINING RESEARCH BY SIZE

Larg/ Width	Ø Tamb/D rum	Nbr rivet/set	Nbr	WVA		Rivet Type		Int. Radius	BFMC	 
135	300,0	40	4	57250		8x15	RIV812			COLAERT ADR
140	406,0	64	8	17336		8x18	RIV818			ADR
150	300,0	40	4	59338		8x18	RIV815			COLAERT ADR
152	419,1	96	4+4	19696/19695		10-9			IL/68/5 ; IL/69/5 ;	ROCKWELL
160	300,0	48	4	59335		8x12	RIV815			COLAERT ADR
160	300,0	48	4	59335		8x12	RIV812	138,0		COLAERT ADR
160	350,0	40	4	57335		8x15	RIV815			ADR
160	410,0	32	4+4	19237/19238		10x18	RIV1018			PERROT
163	360,0	112	4+4	19640/19701		L09	RIVL09			VOLVO
178	420,0	128	4+4	19636/19637					RW/5/4; RW/6/4;	VALX
180	420,0	80	8		CVL420180A DRC0	8x15	RIV815			ADR
196	406,0	80	4+4	17338/17341						HINO
200	311,0	120	8	16066						INCONNU
200	406,0	72	4+4	16070/16072						INCONNU
200	410,0	96	8	19754		10x18	RIV1018		FI/115/1;	PERROT
200	500,0	64	8	19730						PERROT
200	500,0	72	4+4	19602/19603		8x18	RIV818			BPW
210	335,0	96	8	19700		L09	RIVL09	152,0	YK/12/1;	YORK
100	300,0	64	8	17347		8x15	RIV815	132,0		BPW
100	308,0	52	2+2	17934/17935		G05		145,0	GG/184/1; GG/185/1;	FORD
100	310,0	52	2+2	17099/17096		6x12	RIV612	143,0	PB/26/1; PB/23/1;	IVECO
100	310,0	56	2+2	17829/17799		5x12	RIV512	145,0	BT/76/1; SA/25/1;	RENAULT TRUCKS
100	325,0	52	2+2	17730/17793		6x12	RIV612	154,5	OM/12/1; FI/102/1;	IVECO
100	325,0	52	2+2	17924/17925		6x12	RIV612	150,0	FI/120/1; FI/121/1;	IVECO PERROT
100	325,0	52	2+2	17793/17408		6x12	RIV612	154,0	FI/102/1; SY/25/1;	IVECO
100	325,0	72	4	17744		5x12	RIV512	152,0		RENAULT TRUCKS
100	350,0	56	2+2							TATA
100	356,0	60	2+2	17497/17498		5x15	RIV515		BT/52/1; BT/53/1;	RENAULT TRUCKS
100	356,0	64	2+2	17582/17805		5x12	RIV512	168,0	BT/53/1; SA/24/1;	RT
100	400,0	32	2+2	17792/17794		6x12	RIV612	140,0	FI/108/1; FI/109/1;	IVECO
100	400,0	48	4	17094		8x15	RIV815	136,0	SY/7/1;	IVECO PERROT
100	400,0	56	2+2	17050/17051		6x12	RIV612	140,0	MF/1/1; MF/2/1;	PERROT



Les garnitures de frein avec suffixes xx sont livrables sous 48-72 heures  
Brake linings xx suffixes are available in 48-72 hours





## RECHERCHE GARNITURES DE FREIN PAR DIMENSIONS BRAKE LINING RESEARCH BY SIZE

Larg/ Width	Ø Tamb/D rum	Nbr rivet/set	Nbr	WVA		Rivet Type		Int. Radius	BFMC	 
100	406,0	48	8	17760	<b>1776000929</b>	6x15	<b>RIV615T11</b>			SAE
100	406,0	52	2+2	17247/17305	<b>17247xx</b>	5x15	<b>RIV515</b>	193,0	SA/8/1; SA/9/1;	COLAERT RT
100	406,0	54	2+2	17247/17305	<b>17247xx</b>	5x12	<b>RIV512</b>	193,0		COLAERT RT
100	406,0	80	2+2	17500/17506	<b>17500xx</b>	5x12	<b>RIV512</b>			RT
100	418,0	64	8	17297	<b>1729700928</b>	8x15	<b>RIV815</b>		MB/67/1;	MERCEDES
100	441,4	64	8	17669	<b>17669xx</b>	10x18	<b>RIV1018</b>			PERROT
100	500,0	64	8	17273	<b>17273xx</b>	10x18	<b>RIV1018</b>			PERROT
101	307,9	52	2+2	17556/17558	<b>17556007000</b>	H06		146,0	GG/148/1; GG/147/1;	LEYLAND
101	330,2	48	4	17555	<b>17555xx</b>	L07		156,0	GG/144/1;	FORD
101	334,0	64	4	17940	<b>17940xx</b>	G07			LH/94/1;	LEYLAND
101	406,4	80	4+4	17383/17384	<b>1738300929</b>	6,5x17,6	<b>RIV6.517</b>		DF/10/3; DF/11/3;	DAF
102	300,0	52	2+2	17350/17973	<b>1735003</b>	6x10	<b>RIV610</b>	140,0	MB/100/1; MB/101/2;	MERCEDES
104	308,0	40	4	17278	<b>1727806</b>	8x15	<b>RIV815</b>	147,0	MB/109/2;	MERCEDES
106	330,2	48	2+2	17230/17229	<b>17229xx</b>	L07		154,0	BO/40/1; BO/39/1;	BEDFORD
106	358,7	64	2+2	17478/17477	<b>17477xx</b>	L07		167,0	BO/57/1; BO/58/1;	BEDFORD
106	409,4	64	2+2	17854/17855	<b>17854xx</b>	L09	<b>RIVL09</b>	198,0	BO/54/1; BO/53/1;	BEDFORD
108	387,4	48	4	17134	<b>17134xx</b>	L09	<b>RIVL09</b>	184,0	GG/77/1;	FORD
108	387,4	56	4	17557	<b>17557xx</b>	L09	<b>RIVL09</b>	183,0	GG/157/1;	FORD
114	393,7	48	2+2	17117/17116	<b>17116xx</b>	L12	<b>RIVL11</b>		LE/63/1; LE/63/2;	LEYLAND
119	308,0	40	4	17280	<b>1728006</b>	8x15	<b>RIV815</b>	147,0	MB/110/1; MB/110/2;	MERCEDES
120	325,0	52	2+2	17088/17635	<b>1708802</b>	6x12	<b>RIV612</b>	150,0	SY/20/2; SY/26/1;	IVECO OM PERROT
120	325,0	60	2+2	17827/17828	<b>1782700764</b>	5x12	<b>RIV512</b>	150,0	SA/28/1; SA/29/1;	DAF IVECO RT
120	325,0	64	4	17339	<b>17339xx</b>	6x12	<b>RIV612</b>			PERROT
120	400,0	48	4	17275	<b>17275xx</b>	8x15	<b>RIV815</b>	136,0	KM/10/1;	IVECO
120	400,0	64	8	17115	<b>17115001517</b>	8x15	<b>RIV815</b>	136,0	BC/39/1;	BPW SAE SAF
120	400,0	64	8	17001	<b>1700101</b>	8x15	<b>RIV815</b>	140,0		BPW SAF
120	408,0	64	8	17259	<b>1725900412</b>	8x15	<b>RIV815</b>		MB/56/1;	MERCEDES
120	410,0	64	8	17682	<b>1768202</b>	8x15	<b>RIV815</b>	200,0	MP/29/1;	MAN MERCEDES
120	410,0	80	8	17405	<b>1740501</b>	8x15	<b>RIV815</b>			BPW
120	410,0	64	8	17915	<b>17915001561</b>	8x15	<b>RIV815</b>			MERCEDES
120	418,0	64	8	17298	<b>1729800928</b>	8x15	<b>RIV815</b>	194,0	MB/68/1;	MERCEDES
120	420,0	48	8	17888	<b>1788802</b>	8x18	<b>RIV818</b>			IKARUS
120	420,0	64	8	17184	<b>1718401</b>	8x18	<b>RIV818</b>			KAROSA LIAZ

Les garnitures de frein avec suffixes xx sont livrables sous 48-72 heures  
Brake linings xx suffixes are available in 48-72 hours







# RECHERCHE GARNITURES DE FREIN PAR DIMENSIONS BRAKE LINING RESEARCH BY SIZE

Larg/ Width	Ø Tamb/D rum	Nbr rivet/set	Nbr	WVA		Rivet Type		Int. Radius	BFMC	 
120	420,0	80	8	17377	<b>1737707</b>	8x15	<b>RIV815</b>		BC/78/1;	BPW KAESSBOHRER SAF
120	500,0	64	8	17237	<b>17237001549</b>	10x18	<b>RIV1018</b>		PB/15/1;	PERROT
120	500,0	64	8	17135	<b>17135001549</b>	10x18	<b>RIV1018</b>			PERROT
120	500,0	64	8	17031	<b>17031xx</b>	10x18	<b>RIV1018</b>			PERROT
120	500,0	80	8	17374	<b>17374001549</b>	8x20	<b>RIV820</b>		PB/15/2;	PERROT
121	300,0	52	2+2	17351/17975	<b>1735103</b>	6x10	<b>RIV610</b>	140,0	MB/117/1; MB/118/2;	MERCEDES
123	410,0	64	8	17992	<b>1799202</b>	L09	<b>RIVL09</b>	200,0	VL/85/1;	VOLVO
124	330,2	48	4	17217	<b>17217xx</b>	L09	<b>RIVL09</b>		GG/194/1;	DAF FORD
125	305,0	48	4	17612	<b>1761200928</b>	6x15	<b>RIV615T11</b>	142,0		TRAILOR
125	305,0	48	8	17592	<b>17592001541</b>	6x15	<b>RIV615T11</b>	140,0		SAE
125	305,0	48	4+4	17897/17898	<b>17897001541</b>	8x18	<b>RIV818</b>	147,0	LZ/7/1; LZ/8/1;	SAE
125	310,0	64	2+2	17831/17832	<b>1783100764</b>	5x12	<b>RIV512</b>	145,0	SA/27/1; SA/26/1;	DAF RT VOLVO
125	310,0	72	4	17352	<b>17352003000</b>	5x12	<b>RIV512</b>		RN/104/1;	RENAULT TRUCKS
125	406,0	48	8	17761	<b>1776100934</b>	6x15	<b>RIV615T11</b>	191,0		SAE
125	406,0	96	2+2	17307/17308	<b>1730700928</b>	5x15	<b>RIV515</b>	193,0	BT/54/1; BT/55/1;	RENAULT TRUCKS
125	406,0	104	2+2	17704/17705	<b>1770400928</b>	5x15	<b>RIV515</b>	198,0	BT/69/1; BT/70/1;	RENAULT TRUCKS
125	414,0	96	2+2	17309/17531	<b>17309007000</b>	6x15	<b>RIV615T11</b>	194,0	BT/57/7; BT/56/7;	RENAULT TRUCKS
125	420,0	64	4	17481	<b>1748107</b>	8x15	<b>RIV815</b>	198,0	FI/86/2;	IVECO VANHOOL
125	420,0	96	4	17482	<b>1748206</b>	8x18	<b>RIV818</b>	198,0	FI/94/1;	IVECO
127	330,2	48	4	17560	<b>17560xx</b>	L09	<b>RIVL09</b>	156,0	GG/156/1;	FORD
127	330,2	52	2+2	17663/17662	<b>17662xx</b>	L07		156,0	GG/164/1; GG/163/1;	LEYLAND
127	330,2	56	2+2	17932/17933	<b>17932007000</b>	L07		155,0	GG/187/1; GG/186/1;	FORD
127	387,4	48	4	17132	<b>17132xx</b>	L07			LE/54/1;	DAF
127	393,7	48	4	17316	<b>17316xx</b>	L09	<b>RIVL09</b>	183,0	GG/153/1; FD/153/1;	FORD
127	393,7	48	4	17546	<b>17546xx</b>	L07		183,0	GG/118/1;	DENNIS
127	393,7	64	4	17766	<b>17766xx</b>	L07	<b>RIVL09</b>		DF/28/1;	DAF
127	393,7	64	4	17804	<b>1780400412</b>	6x15	<b>RIV615T11</b>	184,0	DO/80/2;	RENAULT TRUCKS
127	400,0	64	4+4	17185/17186	<b>17185xx</b>	L09	<b>RIVL09</b>		SV/28/1; SV/29/1;	SISU
127	406,0	64	8	17996	<b>17996xx</b>	L09	<b>RIVL09</b>		NN/60/1;	HINO
127	406,4	80	4+4	17324/17325	<b>17324xx</b>	6,5x17,6	<b>RIV6.517</b>		DF/15/3; DF/14/3;	BOVA DAF
127	409,4	64	2+2	17714/17713	<b>17713xx</b>	L09	<b>RIVL09</b>	198,0	BO/56/1; BO/55/1;	BEDFORD
127	412,7	72	4+4	17664/17665	<b>1766402</b>	L10	<b>RIVL10</b>	202,0	VL/71/1; VL/70/1;	VOLVO
127	412,8	32	4	17991	<b>1799101</b>	S38	<b>RIVS38</b>	187,0	SV/39/2;	SCANIA



Les garnitures de frein avec suffixes xx sont livrables sous 48-72 heures  
Brake linings xx suffixes are available in 48-72 hours



# RECHERCHE GARNITURES DE FREIN PAR DIMENSIONS BRAKE LINING RESEARCH BY SIZE

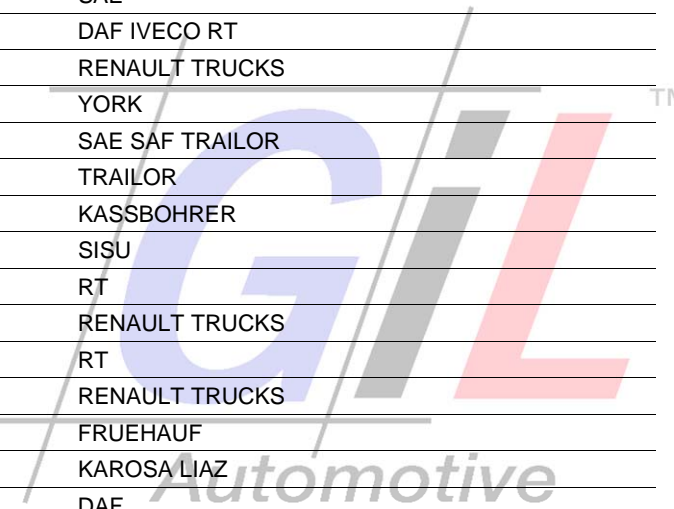
Larg/ Width	∅ Tamb/D rum	Nbr rivet/set	Nbr	WVA		Rivet Type		Int. Radius	BFMC	 
127	412,8	64	8	17161	<b>1716101</b>	6,3x18	<b>RIV6.318</b>	187,0	SV/26/1;	SCANIA
127	419,0	80	4+4	17012/17013	<b>17012xx</b>	6,5x17,6	<b>RIV6.517</b>	203,0	DF/41/1; DF/40/1;	DAF
127	419,1	80	4+4	17263/17264	<b>1726301</b>	6,5x17,6	<b>RIV6.517</b>	203,0	DF/22/3; DF/23/3;	DAF NEOPLAN
129	364,0	56	4+4	17290/17950	<b>1729006</b>	8x15	<b>RIV815</b>	176,0	MB/111/1; MB/112/1;	MERCEDES
134	308,0	40	4	17287	<b>1728705</b>	8x15	<b>RIV815</b>	147,0	MB/115/1; MB/115/2;	MERCEDES
135	300,0	40	4	17409	<b>1740910</b>	8x15	<b>RIV815</b>	139,7	MB/71/1;	MERCEDES
135	420,0	64	8	17885	<b>17885xx</b>	8x18	<b>RIV818</b>	198,0	FI/113/1;	IVECO
138	420,0	48	8	17746	<b>17746xx</b>	8x18	<b>RIV818</b>			IKARUS
139	330,3	60	2+2	17941/17939	<b>17939xx</b>	L06			LH/98/1; LH/99/1;	LEYLAND
139	360,0	112	4+4	17357/17358	<b>1735700929</b>	L09	<b>RIVL09</b>	171,0	GG/233/1; GG/234/1;	VOLVO
140	325,0	48	4	17688	<b>1768801</b>	6x12	<b>RIV612</b>	150,0	SY/22/1;	IVECO
140	325,0	52	2+2	17879/17880	<b>1788000928</b>	6x12	<b>RIV612</b>	150,0	SY/32/1; SY/22/1;	IVECO
140	325,0	56	4	17879	<b>17879xx</b>	6x12	<b>RIV612</b>	150,0	SY/32/1; FI/126/1;	IVECO
140	400,0	48	4	17248	<b>17248xx</b>	8x18	<b>RIV818</b>	132,0	BC/32/2;	IVECO
140	400,0	56	2+2	17270/17269	<b>1726900929</b>	8x15	<b>RIV815</b>	132,0	BC/33/1; BC/32/1;	IVECO
140	410,0	64	8	17238	<b>1723802</b>	8x15	<b>RIV815</b>	200,0	MP/30/2;	MAN MERCEDES
140	410,0	64	4+4	17742/17743	<b>17742xx</b>	10x18	<b>RIV1018</b>	198,0	PB/10/1; PB/9/1;	KAESSBOHRER
140	410,0	72	4+4	17971/17972	<b>17971xx</b>	6x15	<b>RIV615T11</b>	200,0	PD/6/1; PD/5/1;	PEGASO
140	418,0	64	8	17105	<b>1710500929</b>	8x15	<b>RIV815</b>		MB/65/1;	MERCEDES
140	420,0	48	4	17300	<b>17300xx</b>	10x18	<b>RIV1018</b>		KM/11/1;	MAN
140	420,0	56	4+4	17869/17870	<b>17869xx</b>	8x18	<b>RIV818</b>	198,0	FI/105/1; FI/100/1;	IVECO
140	420,0	56	4+4	17410/17411	<b>17410xx</b>	10x18	<b>RIV1018</b>		MP/35/1; MP/34/1;	MAN
140	420,0	64	4	17323	<b>17323xx</b>	8x15	<b>RIV815</b>		FI/81/1;	IVECO
140	420,0	80	8	17456	<b>1745605</b>	8x18	<b>RIV818</b>	204,0	BC/109/1;	BPW
140	430,0	64	8	17276	<b>1727601</b>	8x20	<b>RIV820</b>		MB/60/1;	MERCEDES
140	440,0	64	8	17285	<b>17285xx</b>	8x18	<b>RIV818</b>	210,0	BC/2/1;	MAN
140	440,0	64	8	17398	<b>17398xx</b>	8x20	<b>RIV820</b>			OAF
143	360,0	64	8	17017	<b>1701703</b>	8x15	<b>RIV815</b>	171,0	GG/217/1;	MAN RT
143	410,0	72	4+4	17795/17796	<b>1779501</b>	8x18	<b>RIV818</b>	199,0	MB/83/1; MB/82/1;	MERCEDES
147	325,0	44	2+2	17900/17901	<b>1790007</b>	8x20	<b>RIV820</b>	150,0	MP/39/1; MP/40/1;	DAF LEYLAND MAN NEOPLAN PERROT
148	410,0	96	8	19941	<b>1994102</b>	L09	<b>RIVL09</b>	200,0	VL/86/1;	VOLVO
148	420,0	64	4+4	19010/19011	<b>1901005</b>	6,5x17,6	<b>RIV6.517</b>	203,0	DF/45/1; DF/44/1;	DAF
149	325,0	64	8	17988	<b>1798806</b>	8x15	<b>RIV815</b>	157,0	GG/210/1;	MAN STEYR



Les garnitures de frein avec suffixes xx sont livrables sous 48-72 heures  
Brake linings xx suffixes are available in 48-72 hours





## RECHERCHE GARNITURES DE FREIN PAR DIMENSIONS BRAKE LINING RESEARCH BY SIZE

Larg/ Width	Ø Tamb/D rum	Nbr rivet/set	Nbr	WVA		Rivet Type		Int. Radius	BFMC	 
150	300,0	64	8	19102	<b>1910205</b>	8x15	<b>RIV815</b>	140,0	BC/54/1;	BPW SAF
150	300,0	64	8	19573	<b>1957306</b>	8x15	<b>RIV815</b>	146,0	BC/79/1;	BPW
150	300,0	64	8	19396	<b>19396001541</b>	8x15	<b>RIV815</b>	141,0		BPW
150	300,0	64	8	19596	<b>1959601</b>	8x18	<b>RIV818</b>	132,0		WARSTEIN
150	300,0	64	4+4	19517/19518	<b>1951701</b>	8x15	<b>RIV815</b>	148,0	SJ/25/1; SJ/24/1;	SAE SAF
150	305,0	48	4+4	19760/19761	<b>1976000412</b>	8x18	<b>RIV818</b>	147,0	SA/36/1; SA/37/1;	SAE
150	305,0	64	8	19401	<b>19401001561</b>	5x15	<b>RIV515</b>	140,0	SJ/36/1;	SAE
150	325,0	64	2+2	19620/19621	<b>1962004</b>	5x12	<b>RIV512</b>	150,0	SA/31/1; SA/30/1;	DAF IVECO RT
150	325,0	72	4	19709	<b>19709007000</b>	5x12	<b>RIV512</b>	148,5	RN/106/1;	RENAULT TRUCKS
150	335,0	64	8	17362	<b>17362007222</b>	L09	<b>RIVL09</b>	152,0	YK/13/1;	YORK
150	355,0	80	4+4	19912/19913	<b>1991201</b>	8x18	<b>RIV818</b>	173,0	LZ/5/1; LZ/4/1;	SAE SAF TRAILOR
150	356,0	64	8	19544	<b>1954400929</b>	5x15	<b>RIV515</b>	165,0	RW/29/2;	TRAILOR
150	400,0	80	4+4	19168/19169	<b>1916800AF710</b>	8x18	<b>RIV818</b>	190,0	BC/92/1; BC/93/1;	KASSBOHRER
150	410,0	96	4+4	19144/19145	<b>19144xx</b>	6x18	<b>RIV618</b>		SV/43/1; SV/44/1;	SISU
150	414,0	64	8	19934	<b>1993400764</b>	8x18	<b>RIV818</b>	189,0	RN/100/1;	RT
150	414,0	72	4	19919	<b>1991900928</b>	8x18	<b>RIV818</b>	193,0	BT/84/1;	RENAULT TRUCKS
150	414,0	96	2+2	19049/19199	<b>1904902</b>	6x15	<b>RIV615T11</b>	194,0	SA/10/1; SA/11/1;	RT
150	414,0	104	4	19680	<b>1968000412</b>	6x15	<b>RIV615T11</b>	201,0	SA/34/1;	RENAULT TRUCKS
150	419,0	96	4+4	19672/19673	<b>1967200929</b>	5x14,2	<b>RIV515TF</b>	203,0	FT/8/1; FT/9/1;	FRUEHAUF
150	420,0	64	8	19410	<b>1941001</b>	8x18	<b>RIV818</b>			KAROSA LIAZ
150	420,0	64	4+4	19900/19901	<b>1990002</b>	L10	<b>RIVL10</b>	203,0	DF/34/1; DF/35/1;	DAF
151	414,0	64	4+4	19359/19360	<b>1935900929</b>	6x18	<b>RIV618</b>	202,0		TRAILOR
152	381,0	64	8	19502	<b>1950200412</b>	L10	<b>RIVL10</b>			MACK RENAULT TRUCKS
152	381,0	96	8	19742	<b>1974200929</b>	L10	<b>RIVL10</b>			MACK RENAULT TRUCKS
152	393,7	48	4	19172	<b>19172xx</b>	L09	<b>RIVL09</b>	184,0	AL/49/1;	LEYLAND
152	393,7	48	4	19351	<b>19351xx</b>	L09	<b>RIVL09</b>	183,0	GG/140/1;	FORD
152	393,7	48	4	19072	<b>19072xx</b>	L09	<b>RIVL09</b>	183,0	GG/83/1;	LEYLAND
152	393,7	48	4+4	19583/19584	<b>19583xx</b>	L10	<b>RIVL10</b>		LE/67/1; LE/68/1;	SCAMMELL
152	393,7	64	4	19593	<b>19593xx</b>	L07			DF/29/1;	DAF
152	393,7	64	4	19622	<b>1962200412</b>	6x15	<b>RIV615T11</b>	184,0	LH/82/2;	RENAULT TRUCKS
152	393,7	64	8	19905	<b>19905xx</b>	L09	<b>RIVL09</b>	190,0	CW/10/1;	FORD
152	393,7	64	4+4	19852/19853	<b>19852xx</b>	L10	<b>RIVL10</b>		YK/2/2; YK/1/2;	YORK
152	393,7	96	8	19662	<b>19662xx</b>	L12	<b>RIVL11</b>			LEYLAND



Les garnitures de frein avec suffixes xx sont livrables sous 48-72 heures  
 Brake linings xx suffixes are available in 48-72 hours





## RECHERCHE GARNITURES DE FREIN PAR DIMENSIONS BRAKE LINING RESEARCH BY SIZE

Larg/ Width	Ø Tamb/D rum	Nbr rivet/set	Nbr	WVA		Rivet Type		Int. Radius	BFMC	 
152	412,7	88	4+4	19560/19561	<b>1956002</b>	L10	<b>RIVL10</b>	202,0	VL/74/1; VL/75/1;	VOLVO
152	419,0	80	4+4	19024/19031	<b>1902401</b>	6,5x17,6	<b>RIV6.517</b>	203,0	DF/43/1; DF/42/1;	DAF
152	419,1	64	4+4	19118/19117	<b>19117xx</b>	L10	<b>RIVL10</b>		DF/20/1; DF/21/1;	DAF
152	419,1	80	4+4	19150/19151	<b>1915002</b>	L09	<b>RIVL09</b>	203,0	DF/20/3; DF/21/3;	BOVA DAF
155	410,0	48	4	18017 (59184)	<b>18017xx</b>	L09	<b>RIVL10</b>	200,0	LE/70/1;	LEYLAND
159	364,0	56	4+4	19506/19845	<b>1950607</b>	8x15	<b>RIV815</b>	176,0	MB/113/1; MB/114/1;	MERCEDES
160	325,0	52	2+2	19821/19822	<b>1982100929</b>	6x12	<b>RIV612</b>	150,0	SY/33/1; SY/34/1;	IVECO
160	360,0	72	4+4	19952/19953	<b>1995201</b>	8x15	<b>RIV815</b>	175,5	BC/104/1; BC/105/1;	BPW
160	370,0	64	8	19125	<b>19125xx</b>	8x15	<b>RIV815</b>	165,0	MB/61/1;	MERCEDES
160	410,0	64	8	19494	<b>1949402</b>	8x15	<b>RIV815</b>	200,0	MP/31/2;	MERCEDES
160	410,0	64	8	19713	<b>1971301</b>	8x15	<b>RIV815</b>	200,0		MAN
160	410,0	64	4+4	19849/19850	<b>1984906</b>	10x18	<b>RIV1018</b>	201,0	PB/17/1; PB/16/1;	KAESSBOHRER PERROT
160	410,0	64	4+4	19634/19635	<b>19634xx</b>	10x18	<b>RIV1018</b>	198,0	PB/27/1; PB/28/1;	KAESSBOHRER
160	410,0	72	4+4	19579/19580	<b>1957901</b>	8x18	<b>RIV818</b>	199,0	MB/75/1; MB/74/1;	MAN MERCEDES
160	410,0	72	4+4	19579/19706	<b>1970601</b>	8x18	<b>RIV818</b>	199,0	MB/75/1; MB/74/2;	MERCEDES
160	410,0	100	4+4	19877/19878	<b>1987701</b>	6x15	<b>RIV615T11</b>	200,0	PD/8/1; PD/7/1;	PEGASO
160	418,0	64	8	19182	<b>19182xx</b>	8x15	<b>RIV815</b>		MB/66/1;	MERCEDES
160	420,0	56	4+4	19245/19782	<b>19245xx</b>	10x18	<b>RIV1018</b>		SY/23/1;	STEYR
160	420,0	64	8	19648	<b>19648xx</b>	8x15	<b>RIV815</b>			TATRA
160	420,0	64	8	19411	<b>1941101</b>	8x18	<b>RIV818</b>			TATRA
160	420,0	80	8	19200	<b>1920005</b>	8x15	<b>RIV815</b>	205,0	BC/35/1;	BPW FRUEHAUF SAE SAF
160	440,0	60	2+2	19153/19154	<b>19153xx</b>	8x18	<b>RIV818</b>			IVECO
160	440,0	60	4+4	19473/19474	<b>19473xx</b>	10x18	<b>RIV1018</b>		MP/25/1; MP/26/1;	MAN
160	500,0	64	8	19687	<b>19687001549</b>	10x18	<b>RIV1018</b>		PB/14/1;	PERROT
160	500,0	80	8	19042	<b>19042001549</b>	8x20	<b>RIV820</b>		PB/14/2;	PERROT
163	360,0	96	8	19177	<b>1917705</b>	8x15	<b>RIV815</b>	171,0	GG/218/1;	MAN TVM
169	360,0	84	2+2	19269/19272	<b>1926901</b>	L09	<b>RIVL09</b>	171,0	GG/208/1; GG/207/1;	VOLVO
169	360,0	96	4+2	19543/19552	<b>1954300929</b>	L09	<b>RIVL09</b>	171,0	GG/214/1; GG/215/1;	VOLVO
169	360,0	112	4+4	19543/	<b>19543/</b>	L09	<b>RIVL09</b>	171,0	GG/214/1;	VOLVO
170	360,0	72	4	19918	<b>19918xx</b>	8x15	<b>RIV815</b>	165,0	FI/124/1;	IVECO
170	360,0	72	4	19225	<b>1922507</b>	8x18	<b>RIV818</b>	165,0	FI/124/2;	DENNIS IVECO NEOPLAN PERROT
170	360,0	72	4	19503	<b>1950300764</b>	8x16	<b>RIV816</b>	163,0	PB/22/1;	DAF DENNIS IVECO LEYLAND PERROT
170	360,0	80	2+2	19255/19259	<b>1925500764</b>	5x12	<b>RIV512</b>	171,0	RN/102/1; RN/103/1;	RT

Les garnitures de frein avec suffixes xx sont livrables sous 48-72 heures  
Brake linings xx suffixes are available in 48-72 hours







# RECHERCHE GARNITURES DE FREIN PAR DIMENSIONS BRAKE LINING RESEARCH BY SIZE

Larg/ Width	Ø Tamb/D rum	Nbr rivet/set	Nbr	WVA		Rivet Type		Int. Radius	BFMC	 
170	360,0	88	4	19923	<b>1992300412</b>	L09	<b>RIVL09</b>	171,0	GG/211/1; RPP GG/216/1;	DAF
170	360,0	96	8	19306	<b>19306007000</b>	L09	<b>RIVL09</b>	171,0	GG/216/1;	DAF
170	360,0	96	8	19928	<b>1992802</b>	L10	<b>RIVL10</b>	175,4	RW/26/1;	NISSAN STEYR
170	360,0	112	4+4	19758/19759	<b>1975800764</b>	L09	<b>RIVL09</b>	171,0	GG/235/1; GG/236/1;	VOLVO
170	440,0	64	8	19160	<b>1916001</b>	8x20	<b>RIV818ST</b>	205,0	MB/51/1;	MERCEDES
173	410,0	112	8	19090	<b>1909000764</b>	L11	<b>RIVL11</b>	200,0	VL/87/2; (VL/87/1);	DENNIS RENAULT TRUCKS VOLVO
173	420,0	96	4+4	19052/19055	<b>1905201</b>	6,5x17,6	<b>RIV6.517</b>	203,0	DF/47/1; DF/46/1;	DAF
175	393,7	72	8	19684	<b>19684xx</b>	L10	<b>RIVL10</b>	193,0	GG/180/1;	DENNIS LEYLAND
175	414,0	64	8	19935	<b>1993500764</b>	8x18	<b>RIV818</b>	188,5	RN/101/1;	RT
175	414,0	72	8	19463	<b>1946301</b>	8x18	<b>RIV818</b>	193,0	BT/59/5;	RT
175	414,0	84	4	19569	<b>19569xx</b>	8x18	<b>RIV818</b>		BT/59/7;	RENAULT TRUCKS
175	414,0	84	4	19655	<b>1965500412</b>	8x18	<b>RIV818</b>	193,0	BT/59/7;	RENAULT TRUCKS
175	414,0	92	2+2	19548/19549	<b>1954800929</b>	6x18	<b>RIV618</b>	204,0	LF/100/1; LF/101/1;	RENAULT TRUCKS
175	414,0	104	4	19682	<b>1968200412</b>	6x15	<b>RIV615T11</b>	201,0	SA/35/1;	RENAULT TRUCKS
175	420,0	96	4+4	19888/19889	<b>1988802</b>	L10	<b>RIVL10</b>	203,0	DF/37/1; DF/36/1;	DAF
177	311,0	96	4+4	19783/19784	<b>19783007222</b>	L09	<b>RIVL09</b>		MQ/3/3; MQ/4/3;	ROR
177	393,7	64	8	19771	<b>19771xx</b>	L09	<b>RIVL09</b>		GG/155/1;	DENNIS LEYLAND
177	393,7	68	2+2	19179/19178	<b>19178xx</b>	L12	<b>RIVL11</b>		LE/64/2; LE/64/1;	LEYLAND
177	393,7	72	4	19111	<b>1911101</b>	L09	<b>RIVL09</b>	183,0	GG/92/1;	ERF FORD LEYLAND PEGASO YORK
177	393,7	96	8	19744	<b>19744xx</b>	L11	<b>RIVL10</b>	197,0	CS/63/1;	DENNIS ERF
177	393,7	96	8	18008	<b>18008xx</b>	L09	<b>RIVL09</b>		CS/68/2;	DENNIS
177	412,8	96	8	19075	<b>1907502</b>	6,3x18	<b>RIV6.318</b>	188,0	SV/8/1;	NEOPLAN SCANIA
177	419,1	80	8	19746	<b>19746xx</b>	8x18	<b>RIV818</b>		FO/34/1;	FODEN
177	419,1	96	4+4	19030/19033	<b>1903001</b>	L09	<b>RIVL09</b>	203,0	RW/34/1; RW/35/1;	ROR
177	419,1	96	4+4	19981/19982	<b>1998101</b>	L09	<b>RIVL09</b>			ROR
178	381,0	96	8	19384	<b>1938400764</b>	L10	<b>RIV10-10</b>	184,0	CW/4/1;	VOLVO
178	381,0	96	6+2	19384/19385	<b>1938400764</b>	10.10	<b>RIV10-10</b>	184,0	CW/4/1; CW/4/2;	VOLVO
178	393,5	84	4+4	19467/19468	<b>1946703</b>	L11	<b>RIVL11</b>	192,0	VL/73/2; VL/72/1;	VOLVO
178	393,7	96	4+4	19333/19334	<b>1933301</b>	L09	<b>RIVL09</b>		YK/7/2; YK/6/2;	YORK
178	393,7	128	8	19887	<b>19887xx</b>	L09	<b>RIVL09</b>	190,0	CW/11/1;	FORD
178	400,0	96	4+4	19104/19105	<b>19104xx</b>	L09	<b>RIVL09</b>		SV/30/1; SV/31/1;	SISU
178	410,0	96	4+4	18019	<b>1801900</b> <b>SV45461S7115</b>	6x18	<b>RIV618</b>		SV/45/1; SV/46/1;	SISU





Les garnitures de frein avec suffixes xx sont livrables sous 48-72 heures  
Brake linings xx suffixes are available in 48-72 hours

## RECHERCHE GARNITURES DE FREIN PAR DIMENSIONS BRAKE LINING RESEARCH BY SIZE

Larg/ Width	∅ Tamb/D rum	Nbr rivet/set	Nbr	WVA		Rivet Type		Int. Radius	BFMC	 
178	412,8	64	4	19931	<b>1993100764</b>	S38	<b>RIVS38</b>	187,0	SV/40/2;	SCANIA
178	419,1	96	4+4	19036/19037	<b>1903616</b>	5x14,2	<b>RIV516</b>	203,0	DF/24/1; DF/25/1;	TRAILOR
178	419,1	96	4+4	19036/19037	<b>1903712</b>	L09	<b>RIVL09</b>	203,0	IL/66/3; IL/67/3;	TRAILOR
178	419,1	112	4+4	19256/19260	<b>1925602</b>	L09	<b>RIVL09</b>	203,0	DF/16/2; DF/17/2;	BOVA DAF NEOPLAN
178	419,1	128	4+4	19613/19614	<b>1961313</b>	5x14,2	<b>RIV515TF</b>	203,0	FT/12/1; FT/11/1;	SMB C2
178	420,0	64	4+4	19283/19284	<b>1928308</b>	8x15	<b>RIV815</b>	203,0	SJ/28/1; SJ/29/1;	SAE SAF
178	420,0	112	8	19896	<b>19896xx</b>	L10	<b>RIVL10</b>	191,0	AX/14/6;	VAN HOOL
180	305,0	64	4	19444	<b>19444001561</b>	6x15	<b>RIV615T11</b>	141,0		TRAILOR
180	367,0	64	4+4	19479/19480	<b>1947905</b>	8x15	<b>RIV815</b>	179,0	SJ/32/1; SJ/33/1;	SAE SAF
180	381,0	96	8	19492	<b>1949200929</b>	L09	<b>RIVL09</b>	187,0	RW/24/1;	VOLVO
180	410,0	64	8	19495	<b>1949500764</b>	8x18	<b>RIV818</b>	200,0	MP/32/2;	MAN MERCEDES
180	410,0	64	8	19723	<b>19723001549</b>	10x18	<b>RIV1018</b>	190,0	PB/40/1;	PERROT
180	410,0	64	4+4	19558/19559	<b>1955800934</b>	10x18	<b>RIV1018</b>	198,0	PB/11/1; PB/12/1;	KASSBOHRER
180	410,0	64	4+4	19855/19856	<b>1985502</b>	10x18	<b>RIV1018</b>	200,5	PB/29/1; PB/30/1;	KAESSBOHRER PERROT
180	410,0	64	4+4	19946/19947	<b>1994600927</b>	10x18	<b>RIV1018</b>	200,0	PB/36/1; PB/37/1;	VAN HOOL
180	410,0	72	4	18018 (59185)	<b>18018xx</b>	L09	<b>RIVL10</b>	200,0	LE/71/1;	LEYLAND
180	410,0	80	8	19113	<b>19113001549</b>	8x20	<b>RIV820</b>	190,0	PB/40/2;	PERROT
180	410,0	80	8	19081	<b>1908101</b>	8x15	<b>RIV815</b>			BPW
180	410,0	96	4+2+2	19556/714/715	<b>1971400764</b>	8x18	<b>RIV815</b>	202,0	RW/28/1; RW/30/1; RW/31/1	IVECO ROCKWELL SIMPLEX
180	410,0	96	4+4	19109/19110	<b>1910902</b>	8x15	<b>RIV816</b>		RW36/1; RW37/1;	IVECO ROCKWELL DUPLEX
180	410,0	96	6+2	19555/19556	<b>1955502</b>	8x18	<b>RIV815</b>	202,0	RW/28/2; RW/28/1;	IVECO ROCKWELL SIMPLEX
180	410,0	112	8	19342	<b>1934202</b>	8x16	<b>RIV816</b>	195,0	PB/25/2;	IVECO PERROT
180	419,0	64	8	19449	<b>19449xx</b>	8x18	<b>RIV818</b>			TATRA
180	420,0	72	8	19235	<b>1923502</b>	8x18	<b>RIV818</b>			IKARUS RABA
180	420,0	80	8	19032	<b>1903230</b>	8x15	<b>RIV815</b>	205,0	BC/98/1;	BPW
180	420,0	80	8	19191	<b>1919101</b>	8x15	<b>RIV815</b>	205,0		BPW
180	420,0	96	8	19972	<b>1997201</b>	8x15	<b>RIV818</b>			KAROSA
180	420,0	112	8	19236	<b>1923601</b>	8x18	<b>RIV818</b>			IKARUS
180	420,0	128	8	19694	<b>1969400928</b>	8x18	<b>RIV818</b>	198,0	FI/106/1;	IVECO
180	420,0	128	8	19694	<b>19694xx</b>	8x18	<b>RIV818</b>	198,0	FI/106/1;	IVECO VAN HOOL
180	440,0	60	4+4	19475/19476	<b>19475xx</b>	10x18	<b>RIV1018</b>		MP/27/1; MP/28/1;	MAN
180	500,0	64	8	19690	<b>19690001549</b>	10x18	<b>RIV1018</b>		PB/13/1;	PERROT
180	500,0	112	8	19041	<b>19041001549</b>	8x20	<b>RIV820</b>		PB/13/2;	PERROT

Les garnitures de frein avec suffixes xx sont livrables sous 48-72 heures  
Brake linings xx suffixes are available in 48-72 hours





# RECHERCHE GARNITURES DE FREIN PAR DIMENSIONS BRAKE LINING RESEARCH BY SIZE

Larg/ Width	Ø Tamb/D rum	Nbr rivet/set	Nbr	WVA		Rivet Type		Int. Radius	BFMC	 
182	410,0	96	6+2	19099/19100	<b>1909902</b>	8x16	<b>RIV816</b>		PB/41/1; PB/41/2;	IVECO
183	360,0	96	6+2	19708/19867	<b>1970803</b>	8x15	<b>RIV815</b>	171,0	GG/22/1; GG/23/1;	MAN
185	420,0	64	8	19246	<b>19246xx</b>	10x18	<b>RIV1018</b>		SY/24/1;	STEYR
190	310,0	80	4+4	19604/19605	<b>196040764</b>	L10	<b>RIVL10</b>	150,0	RW/9/3; RW/13/3;	ROR
198	410,0	112	8	19071	<b>1907100764</b>	L11	<b>RIVL11</b>	200,0	VL/88/2; (VL/88/1);	DAF DENNIS IRISBUS RENAULT TRUCKS VOLVO
198	420,0	128	4+4	19063/19064	<b>1906300764</b>	6,5x17,6	<b>RIV6.517</b>	203,0	DF/49/1; DF/48/1;	DAF
199	393,7	128	4+4	19820	<b>19820xx</b>	L09	<b>RIVL09</b>	193,0	GG/189/1;	LEYLAND
200	300,0	64	8	19568	<b>1956801</b>	8x15	<b>RIV815</b>	145,0	BC/108/1;	KAESSBOHRER
200	300,0	64	8	19397	<b>19397xx</b>	8x15	<b>RIV815</b>	141,0	BC/111/1;	BPW
200	300,0	64	8	19103	<b>1910301</b>	8x15	<b>RIV815</b>	140,0	BC/55/1;	BPW KAESSBOHRER SAE SAF
200	300,0	64	8	19574	<b>1957427</b>	8x15	<b>RIV815</b>	146,0	BC/80/1;	BPW GIGANT
200	300,0	64	4+4	19515/19516	<b>1951500764</b>	8x15	<b>RIV815</b>	148,0	SJ/23/1; SJ/22/1;	KAESSBOHRER LAG SAF PERROT
200	300,0	96	4+4	19967/19968	<b>1996708</b>	5x14,2	<b>RIV515TF</b>	148,0	BC/106/1; BC/107/1;	TRAILOR
200	305,0	56	4	19996	<b>1999600412</b>	8x15	<b>RIV815</b>	139,5	LZ/1/1;	COLAERT
200	305,0	64	8	19103	<b>1910301</b>	8x15	<b>RIV815</b>	140,0	SE/6/1;	BPW KAESSBOHRER SAE SAF
200	305,0	64	4+4	19762/19763	<b>1976200764</b>	8x18	<b>RIV818</b>	147,0	LZ/2/1; LZ/3/1;	SAE
200	305,0	80	8	19405	<b>19405001541</b>	6x15	<b>RIV615T11</b>	140,0	SE/4/1;	SAE
200	316,0	72	4+4	19858/19859	<b>1985800928</b>	6x15	<b>RIV615T11</b>			LECINENA
200	350,0	72	4+4	19808/19809	<b>19808xx</b>				DO/83/1; DO/81/1;	DODGE
200	350,0	80	4+4	19908/19909	<b>1990800764</b>	L10	<b>RIVL10</b>	169,0	RW/21/1; RW/22/1;	ROR
200	355,0	80	4+4	19892/19893	<b>1989208</b>	8x18	<b>RIV818</b>	173,0	SJ/26/1; SJ/27/1;	SAE SAF
200	360,0	72	4+4	19902/19903	<b>1990200764</b>	8x15	<b>RIV815</b>	179,0	BC/100/1; BC/101/1;	BPW SAF
200	360,0	96	4+4	19718/19719	<b>1971802</b>	5x14,2	<b>RIV515TF</b>	174,0	BC/120/1; BC/121/1;	SMB C5
200	364,0	56	4+4	19505/19112	<b>1950505</b>	8x15	<b>RIV815</b>	176,0	MB/120/1; MB/121/1;	MERCEDES
200	367,0	64	4+4	19490/19491	<b>1949005</b>	8x15	<b>RIV815</b>	179,0	SJ/34/1; SJ/35/1;	SAE SAF
200	381,0	96	8	19542	<b>19542003000</b>	L09	<b>RIVL09</b>	190,0	RW/25/1;	VOLVO
200	393,7	72	8	19685	<b>19685xx</b>	L10	<b>RIVL10</b>	193,0	GG/179/1;	DENNIS LEYLAND
200	400,0	80	4+4	19166/19167	<b>1916602</b>	8x18	<b>RIV818</b>	190,0	BC/91/1; BC/90/1;	KAESSBOHRER
200	410,0	96	8	19786	<b>1978610</b>	10x18	<b>RIV1018</b>	200,0	PB/3/1;	IVECO VANHOOL
200	410,0	96	4+2+2	19553/716/717	<b>1971600764</b>	8x15	<b>RIV815</b>	202,0	RW/29/1; RW/32/1; RW/33/1	IVECO ROCKWELL SIMPLEX
200	410,0	96	4+4	19116/19119	<b>1911600764</b>	8x15	<b>RIV815</b>		RW/38/1; RW/39/1;	IVECO ROCKWELL DUPLEX
200	410,0	96	6+2	19786/19823	<b>1978611</b>	10x18	<b>RIV1018</b>	200,0	PB/3/1; PB/4/1;	IVECO VANHOOL
200	410,0	96	6+2	19553/19554	<b>1955301</b>	8x15	<b>RIV815</b>	202,0	RW/29/1; RW/29/2;	IVECO ROCKWELL SIMPLEX



Les garnitures de frein avec suffixes xx sont livrables sous 48-72 heures  
Brake linings xx suffixes are available in 48-72 hours

# RECHERCHE GARNITURES DE FREIN PAR DIMENSIONS BRAKE LINING RESEARCH BY SIZE





Larg/ Width	Ø Tamb/D rum	Nbr rivet/set	Nbr	WVA		Rivet Type		Int. Radius	BFMC	 
200	410,0	104	4+4	19880/19882	<b>19880xx</b>	6x15	<b>RIV615T11</b>	200,0		PEGASO
200	410,0	112	8	19343	<b>1934302</b>	8x16	<b>RIV816</b>	195,0	PB/24/2;	IVECO PERROT
200	410,0	128	8	18014 (59234)	<b>18014xx</b>	L11	<b>RIVL11</b>	198,0	RW/27/1;	ASTRA
200	414,0	64	8	19974	<b>19974xx</b>	8x18	<b>RIV818</b>	188,5		RT
200	414,0	92	2+2	19406/19407	<b>1940600929</b>	6x18	<b>RIV618</b>	204,0	LF/102/1; LF/103/1;	COLAERT
200	420,0	64	8	19338	<b>19338xx</b>	8x15	<b>RIV815</b>	206,0	FT/5/1;	CODER
200	420,0	64	4+4	19477/19478	<b>1947706</b>	8x15	<b>RIV815</b>	203,0	SJ/30/1; SJ/31/1;	SAE SAF
200	420,0	80	8	19094	<b>1909437</b>	8x15	<b>RIV815</b>	205,0	BC/97/1;	BPW
200	420,0	80	8	19192	<b>1919201</b>	8x15	<b>RIV815</b>	205,0		BPW
200	420,0	80	8	19644	<b>19644xx</b>	8x18	<b>RIV818</b>			GORICKA
200	420,0	80	4+4	19251/19252	<b>1925100934</b>	8x15	<b>RIV815</b>	204,0	BL/36/1; BL/35/1;	MOL
200	420,0	128	4+4	19891/19890	<b>1989002</b>	L10	<b>RIVL10</b>	203,0	DF/33/1; DF/32/1;	BOVA DAF
202	410,0	96	6+2	19091/19098	<b>1909100764</b>	8x16	<b>RIV816</b>		PB/42/1; PB/42/2;	IVECO
203	311,0	96	4+4	19862/19863	<b>1986201</b>	5x14,2	<b>RIV515TF</b>	148,0	FU/18/2; FU/17/2;	SMB C3
203	393,7	32	4	19772	<b>19772xx</b>	L09	<b>RIVL09</b>		GG/151/1;	SEDDON ATKINSON
203	393,7	32	4	19788	<b>19788xx</b>	L09	<b>RIVL09</b>		GG/151/2;	SEDDON ATKINSON
203	393,7	68	2+2	19066/19067	<b>19066xx</b>	L12	<b>RIVL11</b>		LE/60/1; LE/60/2;	LEYLAND
203	393,7	72	4	19371	<b>19371xx</b>	L09	<b>RIVL09</b>	183,0	GG/142/1;	DODGE ERF LEYLAND
203	393,7	84	4+4	19562/19563	<b>1956202</b>	L11	<b>RIVL11</b>	200,0	VL/76/2; VL/77/1;	VOLVO
203	393,7	96	8	19745	<b>19745xx</b>	L11	<b>RIVL10</b>	197,0	CS/64/1;	DENNIS ERF
203	393,7	96	8	19922	<b>19922xx</b>	L09	<b>RIVL09</b>		CS/67/2;	DENNIS ERF
203	393,7	128	8	19921	<b>1992101</b>	L09	<b>RIVL09</b>	190,0	CW/12/1;	FORD LEYLAND
203	406,0	96	8	19995	<b>19995xx</b>	L09	<b>RIVL09</b>		NN/61/1;	HINO
203	412,8	64	4	19932	<b>1993200764</b>	S38	<b>RIVS38</b>	187,0	SV/41/2;	SCANIA
203	412,8	96	8	19393	<b>1939302</b>	6,3x18	<b>RIV6.318</b>	187,0	SV/27/1;	SCANIA
203	419,0	96	4+4	19365/19366	<b>1936607</b>	L10	<b>RIVL10</b>	203,0	RW/2/3; RW/1/3;	ROR
203	419,0	144	4+4	19617/19911	<b>1961705</b>	L10	<b>RIVL10</b>	203,0	DF/31/1;	DAF VANHOOL
203	419,1	96	4+4	19365/19366	<b>1936515</b>	5x14,2	<b>RIV516</b>	203,0	RW/1/1; RW/2/1;	ROR
203	419,1	128	4+4	19557/19606	<b>1955713</b>	5x14,2	<b>RIV515TF</b>	203,0	FT/6/1; FT/7/1;	SMB C1
203	419,1	160	4+4	19617/19618	<b>19618xx</b>	L10	<b>RIVL10</b>	203,0	DF/31/1; DF/30/1;	DAF
209	393,7	128	4+4	19461/19462	<b>1946101</b>	L09	<b>RIVL09</b>		YK/9/2; YK/8/2;	MOL YORK
210	311,0	128	4+4	19826/19827	<b>19826007222</b>	L10	<b>RIVL10</b>		YK/10/1; YK/11/1;	YORK



Les garnitures de frein avec suffixes xx sont livrables sous 48-72 heures  
Brake linings xx suffixes are available in 48-72 hours



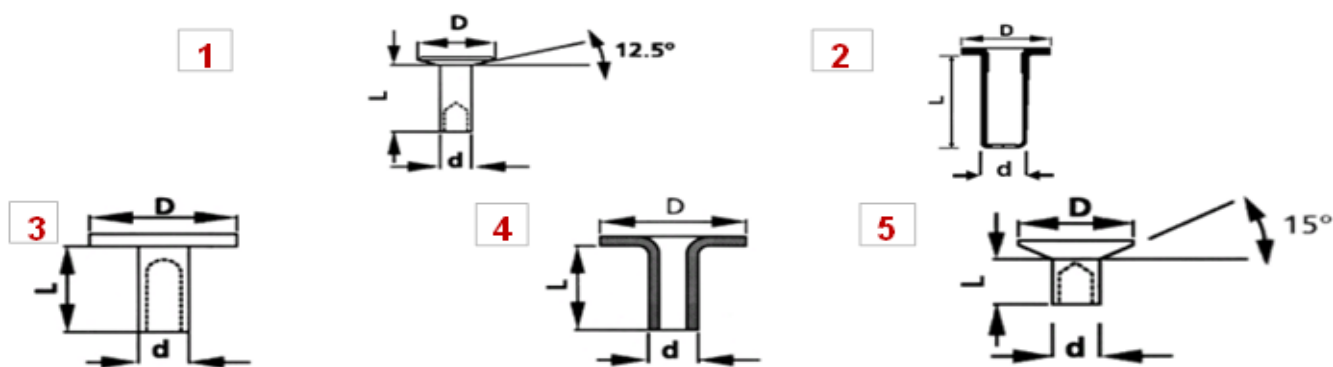
# RECHERCHE GARNITURES DE FREIN PAR DIMENSIONS BRAKE LINING RESEARCH BY SIZE

Larg/ Width	Ø Tamb/D rum	Nbr rivet/set	Nbr	WVA		Rivet Type		Int. Radius	BFMC	 
210	410,0	96	4+4	18020	<b>1802000</b> <b>SV47481S7115</b>	6x18	<b>RIV618</b>		SV/47/1; SV/48/1;	SISU
218	419,1	96	4+4	19983/19984	<b>1998301</b>	L09	<b>RIVL09</b>			ROR
219	381,0	128	4+4	19429/19430	<b>1942901</b>				RO/102/1; RO/102/2	EATON MERITOR QC
219	410,0	72	4+4	19581/19582	<b>1958101</b>	8x18	<b>RIV818</b>	199,0	MB/77/1; MB/76/1;	MAN MERCEDES
219	410,0	72	4+4	19581/19707	<b>1970701</b>	8x18	<b>RIV818</b>	199,0	MB/77/2; MB/76/2;	BOVA MAN MERCEDES NEOPLAN
219	410,0	96	4+4	19743/19755	<b>1974302</b>	10x18	<b>RIV1018</b>	198,0	PB/21/1; PB/20/1;	KAESSBOHRER NEOPLAN VANHOOL
219	419,1	96	4+4	19369/19370	<b>1936912</b>	L10	<b>RIVL10</b>	203,0	FU/5/4; FU/4/4;	ROR
219	420,0	96	8	19591	<b>1959111</b>	8x15	<b>RIV815</b>	205,0	BC/81/1;	BPW
220	370,0	80	8	19466	<b>19466xx</b>	8x18	<b>RIV818</b>		MB/58/3;	MERCEDES
220	410,0	96	4+2+2	19848/847/699	<b>1969905</b>	10x18	<b>RIV1018</b>	201,0	PB/19/1; PB/18/1; PB/18/2	KAESSBOHRER
220	410,0	96	4+4	19712/19755	<b>1971201</b>	10x18	<b>RIV1018</b>	198,0	PB/32/1; PB/31/1;	KAESSBOHRER IVECO NEOPLAN VANHOOL
220	410,0	96	4+4	19743/19755	<b>1971201</b>	10x18	<b>RIV1018</b>	198,0	PB/32/1; PB/31/1;	KAESSBOHRER IVECO NEOPLAN VANHOOL
220	410,0	96	4+4	19114/19115	<b>19114xx</b>	10x18	<b>RIV1018</b>	200,0	PB/38/1; PB/39/1;	VAN HOOL (mach./shoe Acier/Steel)
220	410,0	96	4+4	19114/19115	<b>1911400934</b>	10x18	<b>RIV1018</b>	200,0	PB/38/1; PB/39/1;	VAN HOOL
220	410,0	112	6+2	19824/19838	<b>1982410</b>	10x18	<b>RIV1018</b>	200,0		IVECO PERROT
220	414,0	64	8	19187	<b>1918700764</b>	8x18	<b>RIV818</b>	188,5	RN/104/1;	RT
220	420,0	80	8	19825	<b>19825xx</b>	8x18	<b>RIV818</b>	205,0	BC/99/1;	BPW
223	410,0	64	8	19496	<b>1949600764</b>	8x18	<b>RIV818</b>	200,0	MP/36/2;	MAN MERCEDES
223	410,0	112	8	19068	<b>1906802</b>	L10	<b>RIVL10</b>	200,0	VL/89/2; (VL/89/1);	DENNIS RENAULT TRUCKS VOLVO
223	410,0	112	8	19068	<b>1906802</b>	L11	<b>RIVL11</b>	200,0	VL/89/2; (VL/89/1);	DENNIS RENAULT TRUCKS VOLVO
230	393,7	96	8	19975/19976	<b>19975007000</b>	L11	<b>RIVL11</b>		VL/100/1; VL/101/1;	VOLVO
240	393,7	84	4+4	19885/19886	<b>1988501</b>	L11	<b>RIVL11</b>	192,0	VL/83/1; VL/84/2;	VOLVO
240	420,0	128	4+4	19914/19915	<b>1991403</b>	L10	<b>RIVL10</b>	203,0	DF/38/1; DF/39/1;	DAF
240	420,0	128	4+4	19069/19077	<b>1906901</b>	6,5x17,6	<b>RIV6.517</b>	203,0	DF/50/1; DF/51/1;	DAF
254	393,7	84	4+4	19799/19800	<b>1979901</b>	L11	<b>RIVL11</b>	192,0	VL/82/1; VL/81/2;	VOLVO
254	412,8	64	4	19933	<b>1993300764</b>	S38	<b>RIVS38</b>	187,0	SV/42/2;	SCANIA
254	412,8	96	8	19647	<b>1964702</b>	6,3x18	<b>RIV6.318</b>	187,0	SV/34/1;	NEOPLAN SCANIA

Les garnitures de frein avec suffixes xx sont livrables sous 48-72 heures  
Brake linings xx suffixes are available in 48-72 hours

## DIMENSIONS DES RIVETS RIVETS DIMENSIONS

Ø	Long.	head	angle	Textar	GIL	Matiere	Designation	type	Rep.
4,00	8,0	7,5	180°	<b>86000700</b>	<b>RIV408</b>	Laiton/Brass	Semi-tubulaire	7338 B	<b>3</b>
4,00	8,0	7,5	180°	<b>87000400</b>		Cuivre/Copper	Tubulaire	7338 C	<b>4</b>
4,00	10,0	7,5	180°	<b>86000800</b>	<b>RIV410</b>	Laiton/Brass	Semi-tubulaire	7338 B	<b>3</b>
4,00	10,0	7,5	180°	<b>87000500</b>		Cuivre/Copper	Tubulaire	7338 C	<b>4</b>
5,00	6,0	9,5	180°		<b>RIV506TP9.5</b>	Acier zingué	Tubulaire	7338 C	<b>4</b>
5,00	10,0	9,5	180°	<b>86001500</b>	<b>RIV510</b>	Laiton/Brass	Semi-tubulaire	7338 B	<b>3</b>
5,00	12,0	11,0	180°	<b>86001600</b>	<b>RIV512</b>	Laiton/Brass	Semi-tubulaire	7338 B	<b>3</b>
5,00	13,0	9,5	180°		<b>RIV513TP9.5</b>	Laiton/Brass	Semi-tubulaire	7338 B	<b>3</b>
5,00	14,0	12,0	180°		<b>RIV514TP12</b>	Acier zingué	Semi-tubulaire	7338 B	<b>3</b>
5,00	15,0	11,0	180°	<b>86001700</b>	<b>RIV515</b>	Laiton/Brass	Semi-tubulaire	7338 B	<b>3</b>
5,00	15,5	12,0	150°	<b>85000500</b>	<b>RIV515TF</b>	Acier zingué	Special SMB ST		<b>5</b>
5,00	16,0	12,0	180°		<b>RIV516</b>	Laiton/Brass	Semi-tubulaire	7338 B	<b>3</b>
6,00	6,0	11,5	180°		<b>RIV606TP11.5</b>	Acier zingué	Tubulaire	7338 C	<b>4</b>
6,00	10,0	11,0	180°	<b>86002100</b>	<b>RIV610</b>	Laiton/Brass	Semi-tubulaire	7338 B	<b>3</b>
6,00	12,0	11,0	180°	<b>86002200</b>	<b>RIV612</b>	Laiton/Brass	Semi-tubulaire	7338 B	<b>3</b>
6,00	12,0	11,0	180°	<b>87001200</b>		Acier zingué	Tubulaire	7338 C	<b>4</b>
6,00	15,0	11,0	180°	<b>87001300</b>	<b>RIV615T11</b>	Acier zingué	Tubulaire	7338 C	<b>4</b>
6,00	15,0	12,0	180°	<b>86002300</b>	<b>RIV615</b>	Laiton/Brass	Semi-tubulaire	7338 B	<b>3</b>
6,00	18,0	12,0	180°	<b>86002400</b>	<b>RIV618</b>	Laiton/Brass	Semi-tubulaire	7338 B	<b>3</b>
6,30	16,5	12,0	125°	<b>85001400</b>	<b>RIV10-10</b>	Acier zingué	Tubulaire Iveco 19384	ANSI B18.7	<b>1</b>
6,30	18,0	12,0	180°	<b>85000400</b>	<b>RIV6.318</b>	Laiton/Brass	Special Scania old ST		<b>3</b>
6,35	14,3	12,0	150°	<b>88000700</b>	<b>RIVL09</b>	Acier zingué	Semi-tubulaire L09	BS3575	<b>5</b>
6,35	15,9	12,0	150°	<b>88000800</b>	<b>RIVL10</b>	Acier zingué	Semi-tubulaire L10	BS3575	<b>5</b>
6,35	17,5	12,0	150°	<b>88000900</b>	<b>RIVL11</b>	Acier zingué	Semi-tubulaire L11	BS3575	<b>5</b>
6,35	19,1	12,0	150°		<b>RIVL12</b>	Acier zingué	Semi-tubulaire L12	BS3575	<b>5</b>
6,50	17,6	14,0	180°	<b>85001700</b>	<b>RIV6.517</b>	Acier zingué	Semi-tubulaire DAF		<b>3</b>
6,60	18,0	12,0	180°	<b>85002100</b>	<b>RIVS38</b>	Laiton/Brass	ST Scania new	S38	<b>3</b>
8,00	12,0	15,5	180°		<b>RIV812</b>	Acier zingué	Tubulaire	7338 C	<b>4</b>
8,00	15,0	15,5	180°	<b>85000600</b>	<b>RIV815</b>	Acier zingué	Renforced Mercedes	7338 C2	<b>2</b>
8,00	15,0	15,5	180°	<b>86002700</b>		Acier zingué	Semi-tubulaire	7338 B	<b>3</b>
8,00	15,0	15,5	180°	<b>86002701</b>		Cuivre/Copper	Semi-tubulaire	7338 B	<b>3</b>
8,00	15,0	15,5	180°	<b>87001500</b>	<b>RIV815</b>	Acier zingué	Tubulaire	7338 C	<b>4</b>
8,00	16,0	16,0	180°	<b>85002200</b>	<b>RIV816</b>	Acier zingué	ST Iveco	7338 B	<b>3</b>
8,00	18,0	15,5	180°	<b>85000700</b>	<b>RIV818</b>	Acier zingué	Renforced Mercedes	7338 C2	<b>2</b>
8,00	18,0	15,5	180°	<b>86002800</b>	<b>RIV818ST</b>	Acier zingué	Semi-tubulaire	7338 B	<b>3</b>
8,00	18,0	15,5	180°	<b>86002801</b>		Cuivre/Copper	Semi-tubulaire	7338 B	<b>3</b>
8,00	18,0	15,5	180°	<b>87001600</b>	<b>RIV818</b>	Acier zingué	Tubulaire	7338 C	<b>4</b>
8,00	20,0	15,5	180°	<b>86002900</b>		Cuivre/Copper	Semi-tubulaire	7338 B	<b>3</b>
8,00	20,0	15,5	180°		<b>RIV820</b>	Acier zingué	Tubulaire	7338 C	<b>4</b>
10,00	18,0	19,0	180°	<b>86003200</b>		Cuivre/Copper	Semi-tubulaire	7338 B	<b>3</b>
10,00	18,0	19,0	180°	<b>87002000</b>	<b>RIV1018</b>	Acier zingué	Tubulaire	7338 C	<b>4</b>
10,00	20,0	19,0	180°		<b>RIV1020</b>	Acier zingué	Tubulaire	7338 C	<b>4</b>



**KIT COMPLET MACHOIRES GARNIES + KIT ACCESSOIRES  
COMPLETE BRAKE SHOES KIT + FITTING KIT**



FREIN/ BRAKE	REF / PN	QTY/ ESSIEU /AXLE	DESIGNATION DAF
420x175	<b>1905280</b>	1	KIT MACHOIRES GARNIES CO +ACC/LINED BRAKE SHOES KIT + FITTING KIT
420x200	<b>1906380</b>	1	KIT MACHOIRES GARNIES CO +ACC/LINED BRAKE SHOES KIT + FITTING KIT

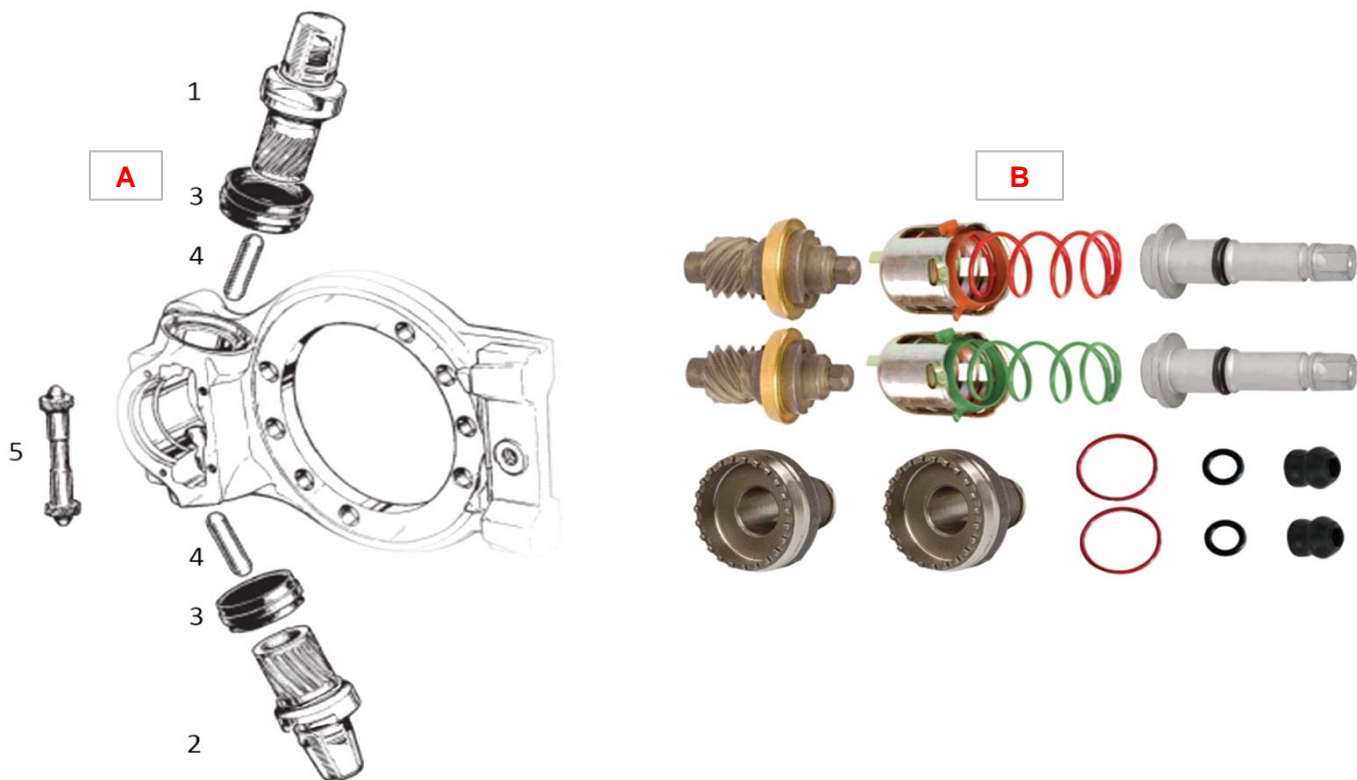


FREIN REP /BRAKE	REF / PN	QTY ESSIEU /AXLE	DESIGNATION DAF
420x175	<b>APF004</b>	2	KIT REP. AXE POINT FIXE DAF 1 ROUE/ BRAKE SHOES PIN SET 1 WHEEL
420x200	<b>APF004</b>	2	KIT REP. AXE POINT FIXE DAF 1 ROUE/ BRAKE SHOES PIN SET 1 WHEEL

**KIT COMPLET MACHOIRES GARNIES + KIT ACCESSOIRES**  
**COMPLETE BRAKE SHOES KIT + FITTING KIT**



FREIN/ BRAKE	REF / PN	QTY ESSIEU /AXLE	DESIGNATION DAF IRISBUS KAROSA RENAULT TRUCKS VOLVO FREIN Z CAME
410X125	<b>1799280</b>	1	KIT MACHOIRES GARNIES CO +ACC / LINED BRAKE SHOES KIT + FITTING KIT
410X150	<b>1994180</b>	1	KIT MACHOIRES GARNIES CO +ACC / LINED BRAKE SHOES KIT + FITTING KIT
410X175	<b>1909080</b>	1	KIT MACHOIRES GARNIES CO +ACC / LINED BRAKE SHOES KIT + FITTING KIT
410X200	<b>1907180</b>	1	KIT MACHOIRES GARNIES CO +ACC / LINED BRAKE SHOES KIT + FITTING KIT
410X225	<b>1906880</b>	1	KIT MACHOIRES GARNIES CO +ACC / LINED BRAKE SHOES KIT + FITTING KIT

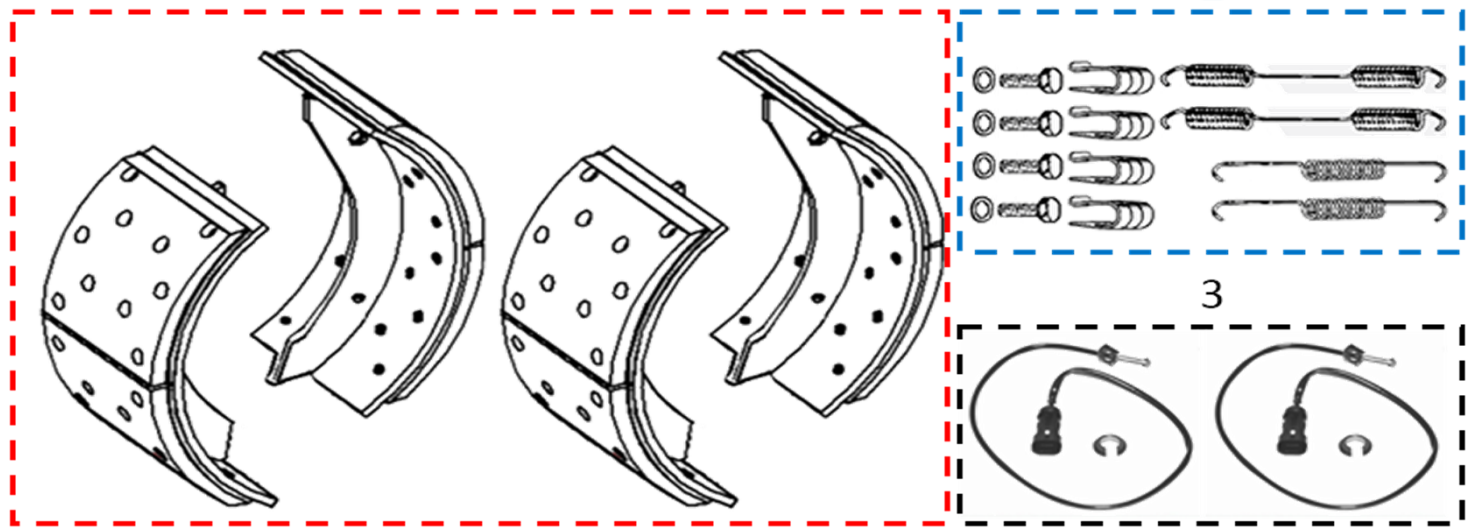


FREIN /BRAKE	REP	REF / PN	QTY ESSIEU /AXLE	DESIGNATION DAF IRISBUS KAROSA RENAULT TRUCKS VOLVO FREIN Z CAME
Z CAME	<b>A</b>	<b>CAC002</b>	2	KIT COMPLET REGLAGE CAME Z / ADJUSTER FITTING KIT
			QTY KIT	CONTIENT / CONTENT
		<b>1 AC0006</b>	1	KIT REGLAGE GAUCHE AUTOMATIQUE/ ADJUSTER KIT LEFT
		<b>2 AC0005</b>	1	KIT REGLAGE DROIT AUTOMATIQUE/ ADJUSTER KIT RIGHT
		<b>3 AC0014</b>	2	CACHE-POUSSIÈRE / DIRT EXCLUDER
		<b>4 AC0007</b>	2	JAMBE/ STRUT
		<b>5 AC0001</b>	1	KIT D'AXE TRANSVERSAL/ CROSS SHAFT KIT
Z CAME	<b>B</b>	<b>CAC003</b>	1	KIT COMPLET REGLAGE AXIAL / FITTING KIT



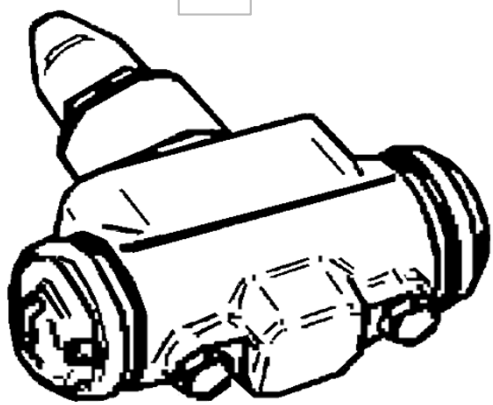
1

2

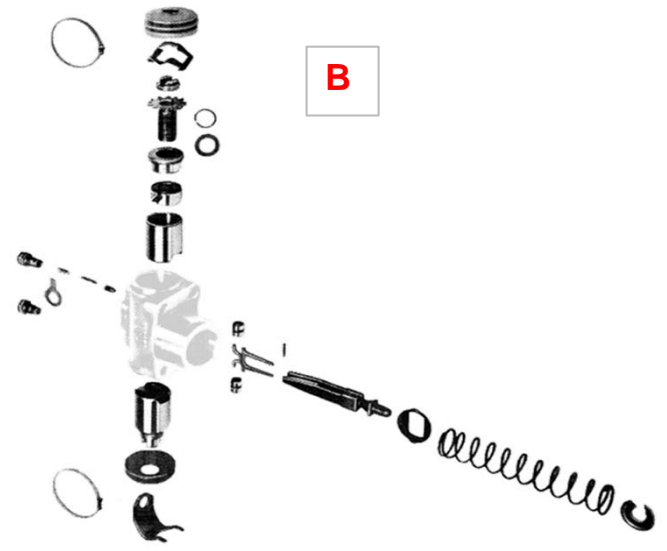


FREIN /BRAKE	REP	REF / PN	QTY ESSIEU /AXLE	DESIGNATION IVECO PERROT SIMPLEX
360x170	1.2.3	<b>1950380</b>	1	KIT MACHOIRES GARNIES CO +ACC / LINED BRAKE SHOES KIT + FITTING KIT
360x170	1	<b>1950378</b>	1	KIT MACHOIRES GARNIES CO / LINED BRAKE SHOES KIT
360x170	2	<b>KRES007</b>	1	KIT RESSORTS ET MAINTIENS / SPRING KIT AND HOLD DOWN CLIP
360x170	3	<b>W0548IV</b>	1	KIT TEMOINS D'USURE/WEAR INDICATOR KIT
410x182	1.2.3	<b>1909980</b>	1	KIT MACHOIRES GARNIES CO +ACC / LINED BRAKE SHOES KIT + FITTING KIT
410x182	1	<b>1909978</b>	1	KIT MACHOIRES GARNIES CO / LINED BRAKE SHOES KIT
410x182	2	<b>KRES008</b>	1	KIT RESSORTS ET MAINTIENS / SPRING KIT AND HOLD DOWN CLIP
410x182	3	<b>W1284IV</b>	2	TEMOIN D'USURE/WEAR INDICATOR
410x202	1.2.3	<b>1909180</b>	1	KIT MACHOIRES GARNIES CO +ACC / LINED BRAKE SHOES KIT + FITTING KIT
410x202	1	<b>1909178</b>	1	KIT MACHOIRES GARNIES CO / LINED BRAKE SHOES KIT
410x202	2	<b>KRES008</b>	1	KIT RESSORTS ET MAINTIENS / SPRING KIT AND HOLD DOWN CLIP
410x202	3	<b>W1284IV</b>	2	TEMOIN D'USURE/WEAR INDICATOR

A

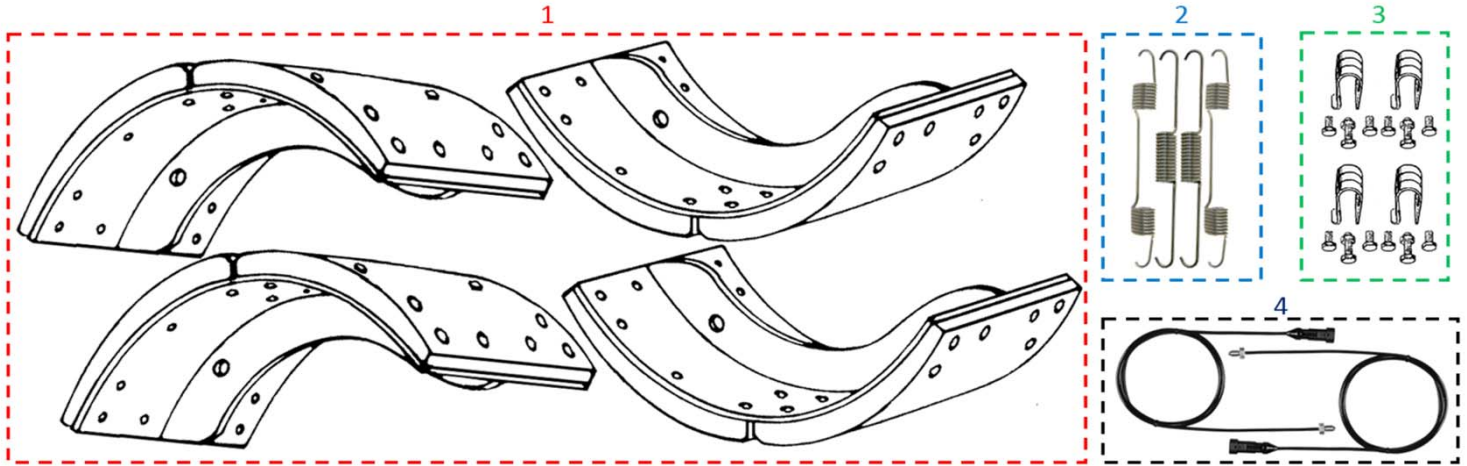


B

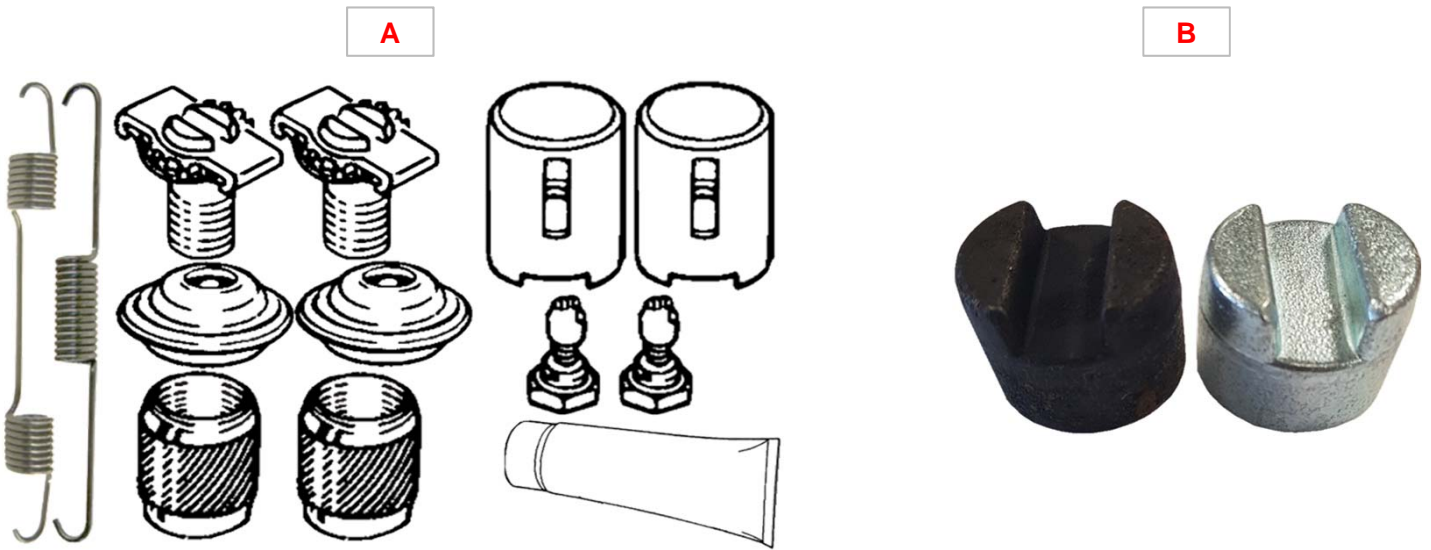


FREIN /BRAKE	REF / PN	QTY ESSIEU /AXLE	DESIGNATION IVECO PERROT
360x170	<b>A ECF001</b>	2	ECARTEUR / WEDGE BRAKE
410x182	<b>B CAC039</b>	2	KIT REGLAGE COIN / FITTING KIT WEDGE
410x202	<b>B CAC039</b>	2	KIT REGLAGE COIN / FITTING KIT WEDGE

**KIT COMPLET MACHOIRES GARNIES + KIT ACCESSOIRES**  
**COMPLETE BRAKE SHOES KIT + FITTING KIT**



FREIN/ REP BRAKE	REF / PN	QTY/ ESSIEU /AXLE	DESIGNATION IVECO ROCKWELL STOPMASTER <b>SIMPLEX</b>
360x170	<b>1,2,3,4 1950380M</b>	1	KIT MACHOIRES GARNIES CO +ACC / LINED BRAKE SHOES KIT + FITTING KIT
360x170	<b>1 1950378M</b>	1	KIT MACHOIRES GARNIES CO / LINED BRAKE SHOES KIT
	<b>2 ACK020</b>	1	KIT RESSORTS / SPRING KIT
	<b>3 ACK004</b>	2	KIT MAINTIENS / SPRING HOLD DOWN CLIP KIT
	<b>4 W0955IV</b>	1	TEMOIN USURE IVECO ROCKWELL/ WEAR INDICATOR



FREIN/ REP BRAKE	REF / PN	QTY ESSIEU /AXLE	DESIGNATION IVECO ROCKWELL STOPMASTER <b>SIMPLEX</b>
360x170	<b>A ACK010</b>	2	KIT REGLAGE COIN / FITTING KIT WEDGE
360x170	<b>B ACK021</b>	2	KIT POINT FIXE / BRAKE SHOES PIN SET

**KIT COMPLET MACHOIRES GARNIES + KIT ACCESSOIRES  
COMPLETE BRAKE SHOES KIT + FITTING KIT**



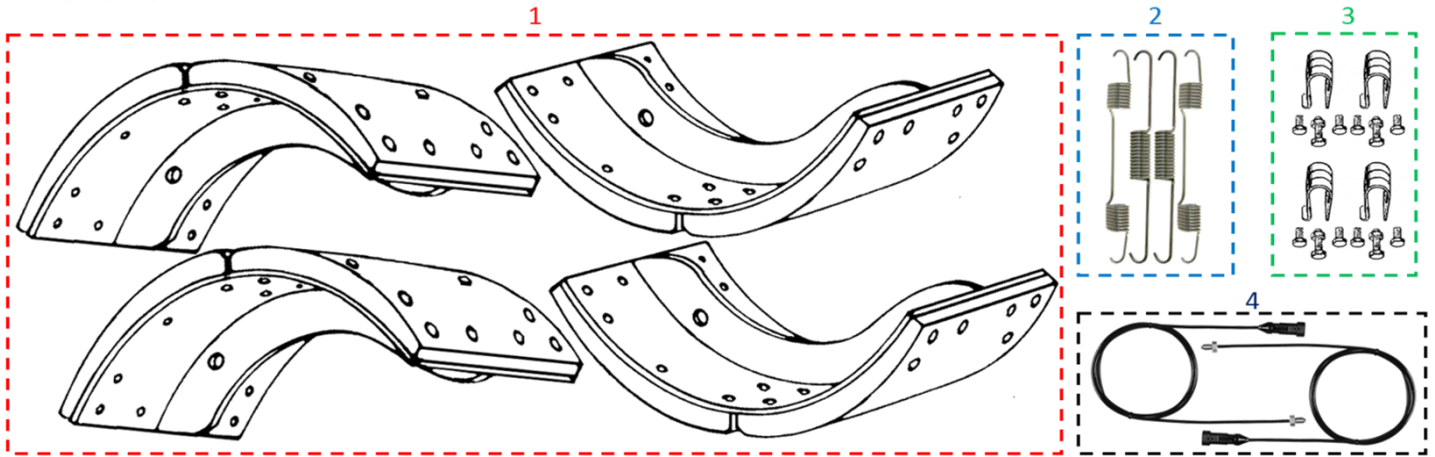
FREIN/ REP BRAKE	REF / PN	QTY/ ESSIEU /AXLE	DESIGNATION IVECO ROCKWELL STOPMASTER <b>DUPLIX</b>
381x178	<b>1,2,3 1938480D</b>	1	KIT MACHOIRES GARNIES CO +ACC / LINED BRAKE SHOES KIT + FITTING KIT
381x178	<b>1 1938478D</b>	1	KIT MACHOIRES GARNIES CO / LINED BRAKE SHOES KIT
381x178	<b>2 RES014</b>	4	KIT RESSORTS / SPRING KIT
381x178	<b>3 ACK002</b>	2	KIT MAINTIENS / SPRING HOLD DOWN CLIP KIT
			OPTION
	<b>W09551V</b>	1	TEMOIN USURE IVECO ROCKWELL/ WEAR INDICATOR



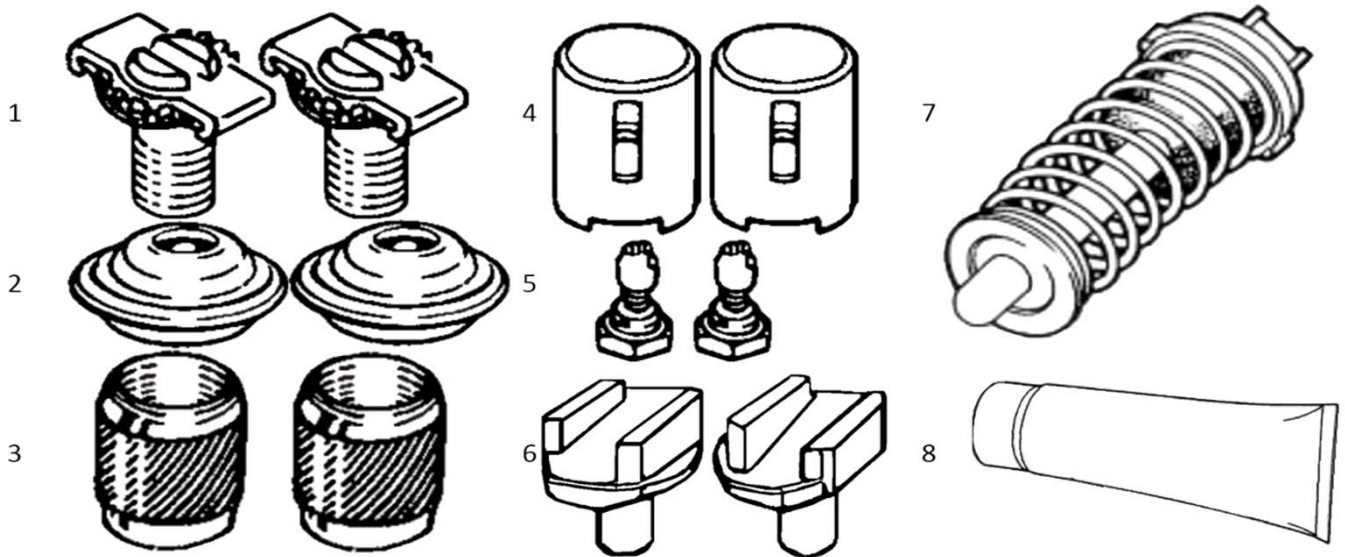
FREIN/ REP BRAKE	REF / PN	QTY ESSIEU /AXLE	DESIGNATION IVECO ROCKWELL STOPMASTER <b>DUPLIX</b>
381x178	<b>A ACK009</b>	2	KIT REGLAGE COIN / FITTING KIT WEDGE
381x178	<b>B ACK011</b>	2	KIT POINT FIXE / BRAKE SHOES PIN SET



**KIT COMPLET MACHOIRES GARNIES + KIT ACCESSOIRES  
COMPLETE BRAKE SHOES KIT + FITTING KIT**

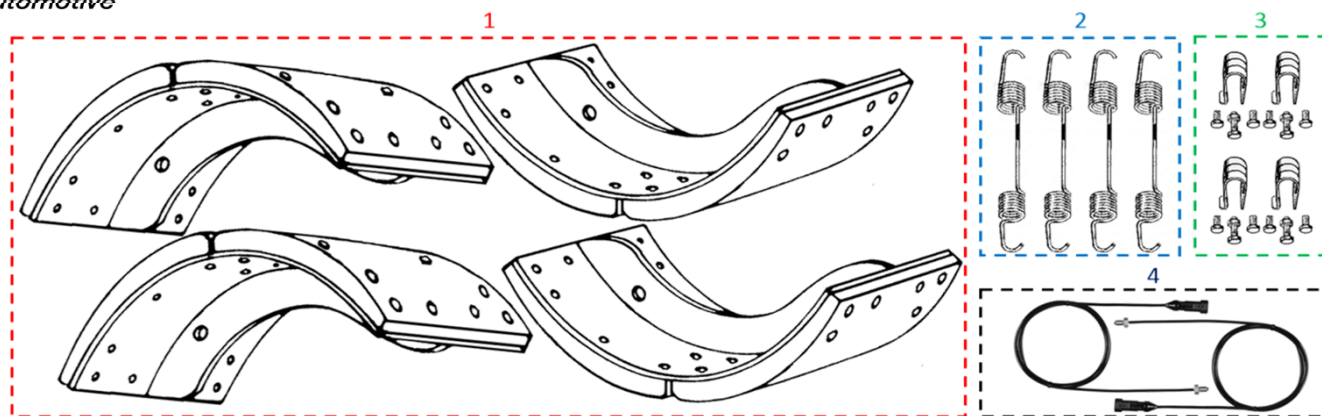


FREIN /BRAKE	REP	REF / PN	QTY/ ESSIEU /AXLE	DESIGNATION IVECO ROCKWELL STOPMASTER <b>SIMPLEX</b>
410x180	1,2,3,4	<b>1971480</b>	1	KIT MACHOIRES GARNIES CO +ACC / LINED BRAKE SHOES KIT + FITTING KIT
410x180	1	<b>1971478</b>	1	KIT MACHOIRES GARNIES CO / LINED BRAKE SHOES KIT
410x200	1,2,3,4	<b>1971680</b>	1	KIT MACHOIRES GARNIES CO +ACC / LINED BRAKE SHOES KIT + FITTING KIT
410x200	1	<b>1971678</b>	1	KIT MACHOIRES GARNIES CO / LINED BRAKE SHOES KIT
	2	<b>KRES010</b>	1	KIT RESSORTS / SPRING KIT
	3	<b>ACK003</b>	2	KIT MAINTIENS / SPRING HOLD DOWN CLIP KIT
	4	<b>W1310IV</b>	2	TEMOIN USURE IVECO ROCKWELL/ WEAR INDICATOR

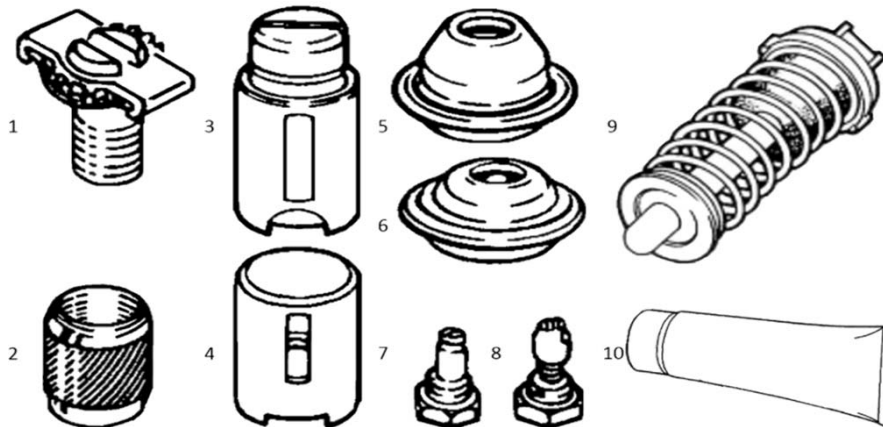


FREIN/ BRAKE	REP	REF / PN	QTY /ESSIEU AXLE	DESIGNATION IVECO ROCKWELL STOPMASTER <b>SIMPLEX</b>	410x180 & 410x200
	1-10	<b>CAC034</b>	1	KIT REPARATION COIN COMPLET <b>GAUCHE</b> / FITTING KIT WEDGE <b>LEFT</b>	
	1-10	<b>CAC035</b>	1	KIT REPARATION COIN COMPLET <b>DROIT</b> / FITTING KIT WEDGE <b>RIGHT</b>	
			QTY/ KIT	CONTIENT / CONTENT	
	1	<b>AC0023</b>	2	TÊTE DE REGLAGE / ADJUSTING BOLT	
	2	<b>AC0029</b>	2	JOINT DE TÊTE DE RÉGLAGE / SEAL - ADJUSTER PLUNGER	
	3	<b>AC0034</b>	2	MANCHON DE BOULON DE RÉGLAGE / ADJUSTING BOLT SLEEVE	
	4	<b>AC0027</b>	2	AJUSTEMENT DU PLONGEUR D'ECARTEMENT / ADJUSTING PLUNGER	
	5	<b>AC0035</b>	2	ENSEMBLE CLIQUET DE GUIDAGE / GUIDE PAWL ASSEMBLY	
	6	<b>AC0036</b>	1	KIT PLONGEUR D'ANCRAGE <b>GAUCHE</b> / ANCHOR PLUNGER KIT <b>LEFT</b>	
	6	<b>AC0037</b>	1	KIT PLONGEUR D'ANCRAGE <b>DROIT</b> / ANCHOR PLUNGER KIT <b>RIGHT</b>	
	7	<b>AC0038</b>	1	COIN ASSEMBLE / WEDGE ASSEMBLY	
	8	<b>AC0033</b>	1	GRAISSE / GREASE	





FREIN /BRAKE	REP	REF / PN	QTY/ ESSIEU /AXLE	DESIGNATION IVECO ROCKWELL STOPMASTER <b>DUPLIX</b>
410x180	1,2,3,4	<b>1910980</b>	1	KIT MACHOIRES GARNIES CO +ACC / LINED BRAKE SHOES KIT + FITTING KIT
410x180	1	<b>1910978</b>	1	KIT MACHOIRES GARNIES CO / LINED BRAKE SHOES KIT
410x180	1,2,3,4	<b>1910980NV</b>	1	KIT MACHOIRES GARNIES CO +ACC / LINED BRAKE SHOES KIT + FITTING KIT
410x180	1	<b>1910978NV</b>	1	KIT MACHOIRES GARNIES CO / LINED BRAKE SHOES KIT
410x200	1,2,3,4	<b>1911680</b>	1	KIT MACHOIRES GARNIES CO +ACC / LINED BRAKE SHOES KIT + FITTING KIT
410x200	1	<b>1911678</b>	1	KIT MACHOIRES GARNIES CO / LINED BRAKE SHOES KIT
410x200	1,2,3,4	<b>1911680NV</b>	1	KIT MACHOIRES GARNIES CO +ACC / LINED BRAKE SHOES KIT + FITTING KIT
410x200	1	<b>1911678NV</b>	1	KIT MACHOIRES GARNIES CO / LINED BRAKE SHOES KIT
	2	<b>KRES009</b>	1	KIT RESSORTS / SPRING KIT
	3	<b>ACK003</b>	2	KIT MAINTIENS / SPRING HOLD DOWN CLIP KIT
	4	<b>W1310IV</b>	1	TEMOIN USURE IVECO ROCKWELL/ WEAR INDICATOR



FREIN/ BRAKE	REP	REF / PN	QTY /ESSIEU AXLE	DESIGNATION IVECO ROCKWELL STOPMASTER <b>DUPLIX</b> 410x180 & 410x200
	1-10	<b>CAC032</b>	2	KIT REPARATION COIN COMPLET <b>GAUCHE</b> / FITTING KIT WEDGE <b>LEFT</b>
	1-10	<b>CAC033</b>	2	KIT REPARATION COIN COMPLET <b>DROIT</b> / FITTING KIT WEDGE <b>RIGHT</b>
			QTY/ KIT	CONTIENT / CONTENT
	1	<b>AC0023</b>	1	TÊTE DE REGLAGE / ADJUSTING BOLT
	2	<b>AC0024</b>	1	MANCHON DE BOULON DE RÉGLAGE / ADJUSTING BOLT SLEEVE
	3	<b>AC0025</b>	1	PLONGEUR D'ECARTEMENT <b>GAUCHE</b> / ANCHOR PLUNGER <b>LEFT</b>
	3	<b>AC0026</b>	1	PLONGEUR D'ECARTEMENT <b>DROIT</b> / ANCHOR PLUNGER <b>LEFT</b>
	4	<b>AC0027</b>	1	AJUSTEMENT DU PLONGEUR D'ECARTEMENT / ADJUSTING PLUNGER
	5	<b>AC0028</b>	1	JOINT DU PLONGEUR D'ECARTEMENT / SEAL - ANCHOR PLUNGER
	6	<b>AC0029</b>	1	JOINT DE TÊTE DE RÉGLAGE / SEAL - ADJUSTER PLUNGER
	7	<b>AC0030</b>	1	VIS GUIDE / GUIDE SCREW
	8	<b>AC0031</b>	1	ENSEMBLE CLIQUET DE GUIDAGE / GUIDE PAWL ASSEMBLY
	9	<b>AC0032</b>	1	COIN ASSEMBLE / WEDGE ASSEMBLY
	10	<b>AC0033</b>	1	GRAISSE / GREASE



FREIN	REP	REF / PN	QTY/	DESIGNATION MAN RT FREIN A COIN/WEDGE BRAKE
360x140		<b>1701780</b>	1	KIT MACHOIRES GARNIES +ACC/ LINED BRAKE SHOES KIT
360x140		<b>KRES012</b>	1	KIT RESSORTS / SPRING KIT
360x140		<b>ACK022</b>	1	KIT MAINTIENS / SPRING HOLD DOWN CLIP KIT
360x160		<b>1917780</b>	1	KIT MACHOIRES GARNIES +ACC/ LINED BRAKE SHOES KIT
360x160		<b>KRES012</b>	1	KIT RESSORTS / SPRING KIT
360x160		<b>ACK022</b>	1	KIT MAINTIENS / SPRING HOLD DOWN CLIP KIT
360x180		<b>1970880</b>	1	KIT MACHOIRES GARNIES +ACC/ LINED BRAKE SHOES KIT
360x180		<b>KRES012</b>	1	KIT RESSORTS / SPRING KIT
360x180		<b>ACK022</b>	1	KIT MAINTIENS / SPRING HOLD DOWN CLIP KIT



FREIN/	REF / PN	QTY ESSIEU	DESIGNATION MAN RT (FREIN A COIN / WEDGE BRAKE)
360X140	<b>ECF009</b>	2	ECARTEUR FREIN A COIN / ADJUSTER WEDGE BRAKE
360X160	<b>ECF009</b>	2	ECARTEUR FREIN A COIN / ADJUSTER WEDGE BRAKE
360X180	<b>ECF009</b>	2	ECARTEUR FREIN A COIN / ADJUSTER WEDGE BRAKE

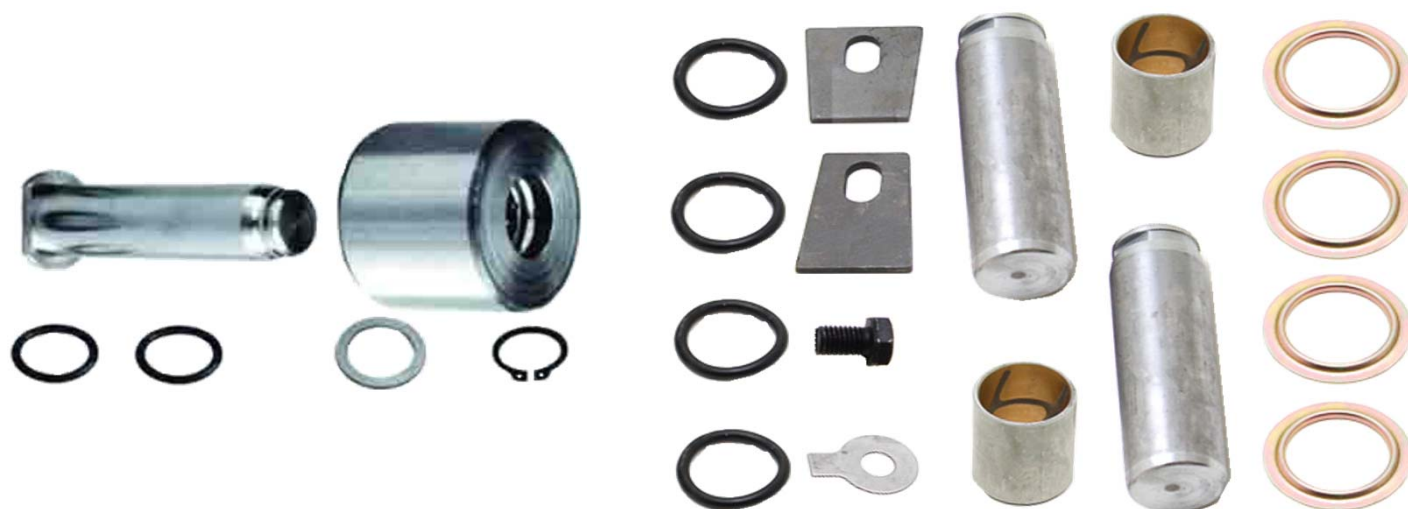
**KIT COMPLET MACHOIRES GARNIES + KIT ACCESSOIRES  
COMPLETE BRAKE SHOES KIT + FITTING KIT**



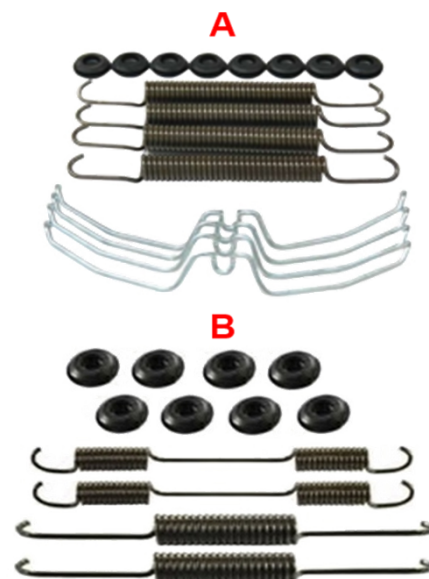
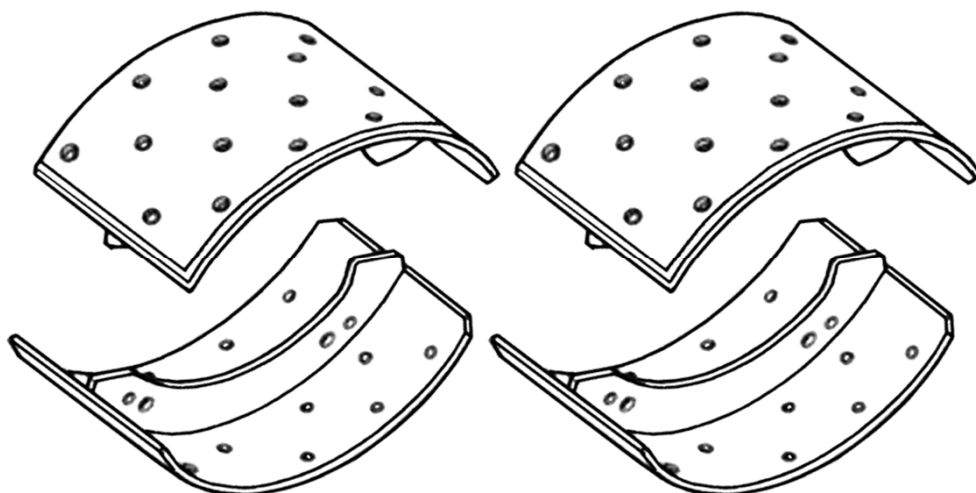
FREIN /BRAKE	REF / PN	QTY/ ESSIEU /AXLE	DESIGNATION MAN MERCEDES
410x183	<b>1949578</b>	1	KIT MACHOIRES GARNIES CO / LINED BRAKE SHOES KIT
410x223	<b>1949678</b>	1	KIT MACHOIRES GARNIES CO / LINED BRAKE SHOES KIT

**A**

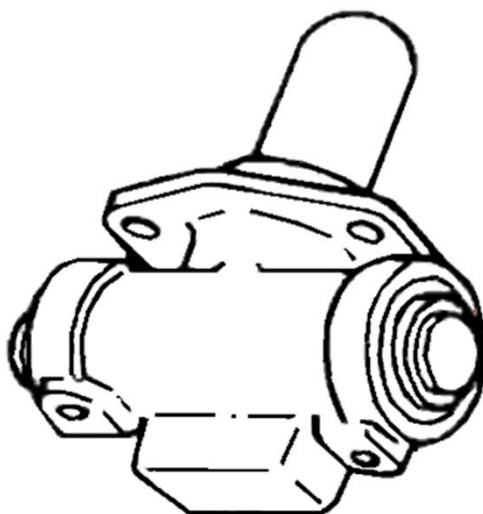
**B**



FREIN /BRAKE	REP	REF / PN	QTY /ESSIEU AXLE	DESIGNATION MAN MERCEDES
410x183	<b>A</b>	<b>KRG001</b>	4	KIT REP. GALET MAN MERCEDES/ ROLLER FITTING KIT
410x183	<b>B</b>	<b>APF002</b>	2	KIT REP. AXE POINT FIXE MAN MERCEDES/ BRAKE SHOES PIN SET
410x223	<b>A</b>	<b>KRG001</b>	4	KIT REP. GALET MAN MERCEDES/ ROLLER FITTING KIT
410x223	<b>B</b>	<b>APF002</b>	2	KIT REP. AXE POINT FIXE MAN MERCEDES/ BRAKE SHOES PIN SET



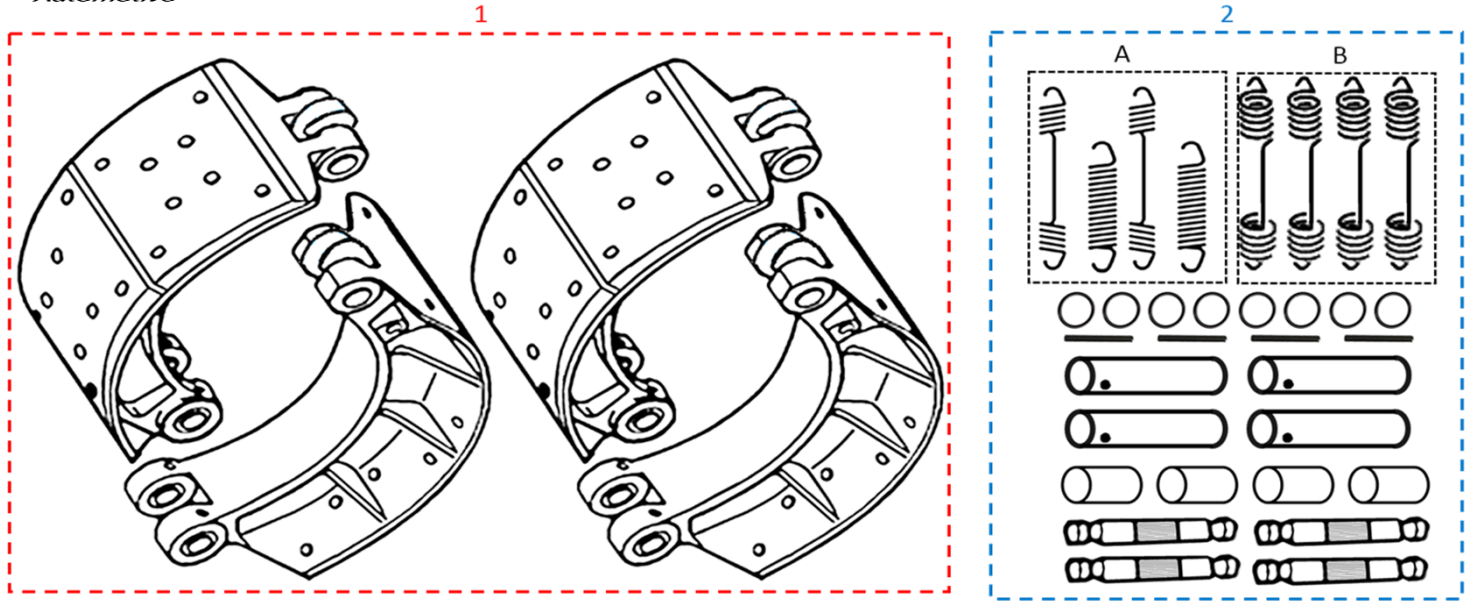
FREIN/ BRAKE	REF / PN	QTY ESSIEU /AXLE	DESIGNATION RENAULT TRUCKS (FREIN A COIN / WEDGE BRAKE)
310X125	<b>B 1735280</b>	1	KIT MACHOIRES GARNIES RT MIDLINER CO + ACC / LINED BRAKE SHOES + FITTING KIT
325X150	<b>B 1970980</b>	1	KIT MACHOIRES GARNIES RT MIDLINER CO + ACC / LINED BRAKE SHOES + FITTING KIT
360X170	<b>A 1925580</b>	1	KIT MACHOIRES GARNIES RT MIDLINER CO + ACC / LINED BRAKE SHOES + FITTING KIT



FREIN/ BRAKE	REF / PN	QTY ESSIEU /AXLE	DESIGNATION RENAULT TRUCKS (FREIN A COIN / WEDGE BRAKE)
310X125	<b>AB337276</b>	2	ECARTEUR FREIN A COIN / ADJUSTER WEDGE BRAKE
325X150	<b>AB337276</b>	2	ECARTEUR FREIN A COIN / ADJUSTER WEDGE BRAKE
360X170	<b>AB337276</b>	2	ECARTEUR FREIN A COIN / ADJUSTER WEDGE BRAKE



**KIT COMPLET MACHOIRES GARNIES + KIT ACCESSOIRES**  
**COMPLETE BRAKE SHOES KIT + FITTING KIT**

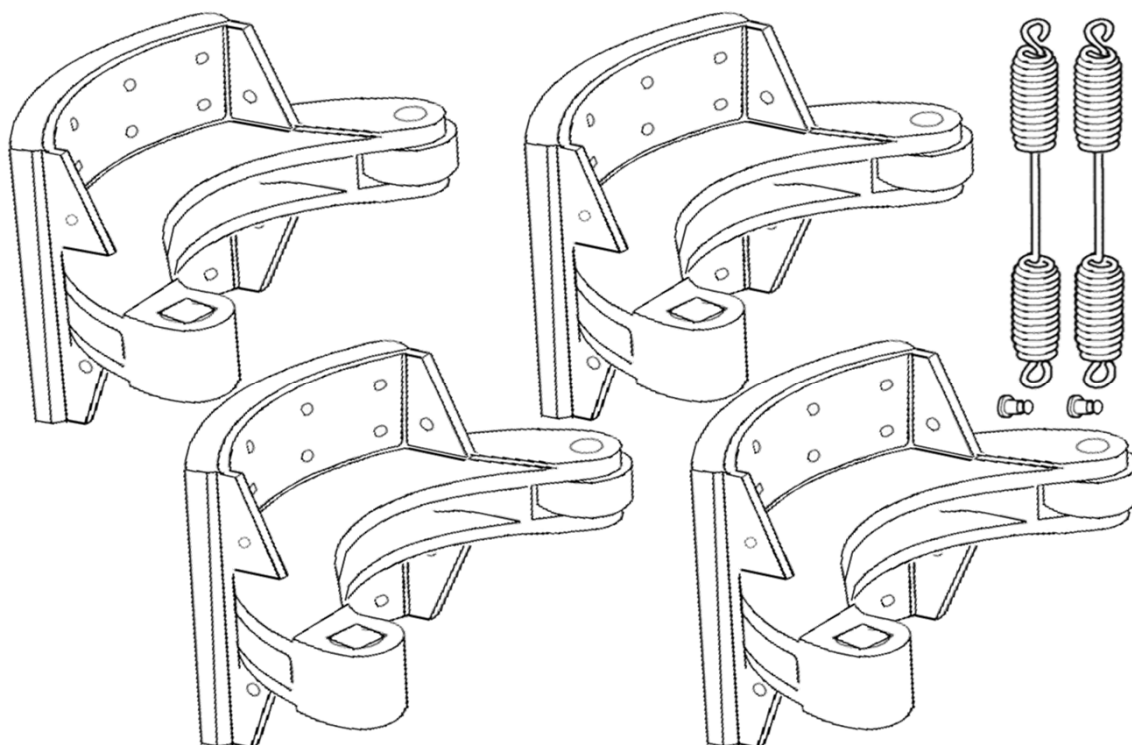


FREIN/ REP BRAKE	REP	REF / PN	QTY ESSIEU /AXLE	DESIGNATION IRISBUS RENAULT TRUCKS (MACHOIRE DE FREIN EN FONTE / CAST BRAKE SHOES)
414X150	1	<b>1993478</b>	1	KIT MACHOIRES GARNIES RT PREMIUM CO/ LINED BRAKE SHOES KIT
414X150	1	<b>1993478K</b>	1	KIT MACHOIRES GARNIES RT KERAX CO/ LINED BRAKE SHOES KIT
414X150	1,2A	<b>1993480</b>	1	KIT MACHOIRES GARNIES RT PREMIUM CO + ACC / LINED BRAKE SHOES + FK
414X150	1,2A	<b>1993480K</b>	1	KIT MACHOIRES GARNIES RT KERAX CO+ACC/ LINED BRAKE SHOES + FK
414X175	1	<b>1993578</b>	1	KIT MACHOIRES GARNIES RT PREMIUM CO/ LINED BRAKE SHOES KIT
414X175	1	<b>1993578K</b>	1	KIT MACHOIRES GARNIES RT KERAX CO/ LINED BRAKE SHOES KIT
414X175	1,2A	<b>1993580</b>	1	KIT MACHOIRES GARNIES RT PREMIUM CO + ACC / LINED BRAKE SHOES + FK
414X175	1,2A	<b>1993580BOM</b>	1	KIT MACHOIRES GARNIES RT PREMIUM CO + ACC / LINED BRAKE SHOES + FK
414X175	1,2A	<b>1993580K</b>	1	KIT MACHOIRES GARNIES RT KERAX CO+ACC/ LINED BRAKE SHOES + FK
414X175	1,2A	<b>1993580KBOM</b>	1	KIT MACHOIRES GARNIES RT KERAX CO+ACC/ LINED BRAKE SHOES + FK
414X220	1	<b>1918778</b>	1	KIT MACHOIRES GARNIES RT PREMIUM CO/ LINED BRAKE SHOES KIT
414X220	1	<b>1918778K</b>	1	KIT MACHOIRES GARNIES RT KERAX CO/ LINED BRAKE SHOES KIT
414X220	1,2B	<b>1918780</b>	1	KIT MACHOIRES GARNIES RT PREMIUM CO + ACC / LINED BRAKE SHOES + FK
414X220	1,2B	<b>1918780BOM</b>	1	KIT MACHOIRES GARNIES RT PREMIUM CO + ACC / LINED BRAKE SHOES + FK
414X220	1,2A	<b>1918780K</b>	1	KIT MACHOIRES GARNIES RT KERAX CO+ACC/ LINED BRAKE SHOES + FK
414X220	1,2A	<b>1918780KBOM</b>	1	KIT MACHOIRES GARNIES RT KERAX CO+ACC/ LINED BRAKE SHOES + FK



FREIN /BRAKE	REP	REF / PN	QTY /ESSIEU AXLE	DESIGNATION IRISBUS RENAULT TRUCKS
414X150		<b>KRG003</b>	4	KIT REP. GALET IRISBUS RT/ ROLLER FITTING KIT
414X175		<b>KRG003</b>	4	KIT REP. GALET IRISBUS RT/ ROLLER FITTING KIT
414X220		<b>KRG003</b>	4	KIT REP. GALET IRISBUS RT/ ROLLER FITTING KIT

**KIT COMPLET MACHOIRES GARNIES + KIT ACCESSOIRES  
COMPLETE BRAKE SHOES KIT + FITTING KIT**



FREIN /BRAKE	REF / PN	QTY ESSIEU /AXLE	DESIGNATION SCANIA (MACHOIRE DE FREIN EN FONTE / CAST BRAKE SHOES)
413X127	<b>1799180</b>	1	KIT MACHOIRES GARNIES SCANIA SERIE 4 +ACC/ LINED BRAKE SHOES KIT
413X178	<b>1993180</b>	1	KIT MACHOIRES GARNIES SCANIA SERIE 4 +ACC/ LINED BRAKE SHOES KIT
413X203	<b>1993280</b>	1	KIT MACHOIRES GARNIES SCANIA SERIE 4 +ACC/ LINED BRAKE SHOES KIT
413X254	<b>1993380</b>	1	KIT MACHOIRES GARNIES SCANIA SERIE 4 +ACC/ LINED BRAKE SHOES KIT



FREIN /BRAKE	REP	REF / PN	QTY ESSIEU /AXLE	DESIGNATION SCANIA
413X127		<b>APF005</b>	2	KIT REP. AXE POINT FIXE DAF 1 ROUE/ BRAKE SHOES PIN SET 1 WHEEL
413X178		<b>APF005</b>	2	KIT REP. AXE POINT FIXE DAF 1 ROUE/ BRAKE SHOES PIN SET 1 WHEEL
413X203		<b>APF005</b>	2	KIT REP. AXE POINT FIXE DAF 1 ROUE/ BRAKE SHOES PIN SET 1 WHEEL
413X254		<b>APF005</b>	2	KIT REP. AXE POINT FIXE DAF 1 ROUE/ BRAKE SHOES PIN SET 1 WHEEL



FREIN /BRAKE	REF / PN	QTY ESSIEU /AXLE	DESIGNATION VOLVO
360X140	<b>1735780</b>	1	KIT MACHOIRES GARNIES VOLVO SERIE 4 +ACC/ LINED BRAKE SHOES KIT
360X140	<b>KRES013</b>	2	KIT RESSORTS / SPRING KIT
360X140	<b>ACK022</b>	1	KIT MAINTIENS / SPRING HOLD DOWN CLIP KIT
360X170	<b>1975880</b>	1	KIT MACHOIRES GARNIES VOLVO SERIE 4 +ACC/ LINED BRAKE SHOES KIT
360X140	<b>KRES013</b>	2	KIT RESSORTS / SPRING KIT
360X140	<b>ACK022</b>	1	KIT MAINTIENS / SPRING HOLD DOWN CLIP KIT

**KIT COMPLET MACHOIRES GARNIES + KIT ACCESSOIRES  
COMPLETE BRAKE SHOES KIT + FITTING KIT**



FREIN /BRAKE	REF / PN	QTY ESSIEU /AXLE	DESIGNATION BPW (CAME S)
300X150	<b>1957375</b>	1	KIT MACHOIRES GARNIES BPW SN3015 +ACC CO/ LINED BRAKE SHOES KIT
300X150	<b>AC0045</b>	1	KIT REP. MACHOIRES BPW SN3015/ BRAKE SHOES FITTING KIT
300X200	<b>1957475</b>	1	KIT MACHOIRES GARNIES BPW SN3020 +ACC CO/ LINED BRAKE SHOES KIT
360X200	<b>AC0045</b>	1	KIT REP. MACHOIRES BPW SN3020/ BRAKE SHOES FITTING KIT



**KIT COMPLET MACHOIRES GARNIES + KIT ACCESSOIRES**  
**COMPLETE BRAKE SHOES KIT + FITTING KIT**



FREIN /BRAKE	REF / PN	QTY ESSIEU /AXLE	DESIGNATION BPW (CAME S)
360X200	<b>1990270</b>	1	KIT MACHOIRES GARNIES BPW SN3620 +ACC CO/ LINED BRAKE SHOES KIT
360X200	<b>AC0044</b>	1	KIT REP. MACHOIRES BPW SN3620/ BRAKE SHOES FITTING KIT

**KIT COMPLET MACHOIRES GARNIES + KIT ACCESSOIRES**  
**COMPLETE BRAKE SHOES KIT + FITTING KIT**



FREIN /BRAKE	REF / PN	QTY ESSIEU /AXLE	DESIGNATION BPW (CAME S)
420X180	<b>1903270</b>	1	KIT MACHOIRES GARNIES BPW SN4218 +ACC CO/ LINED BRAKE SHOES KIT
420X200	<b>1909470</b>	1	KIT MACHOIRES GARNIES BPW SN4220 +ACC CO/ LINED BRAKE SHOES KIT

**KIT COMPLET MACHOIRES GARNIES + KIT ACCESSOIRES  
COMPLETE BRAKE SHOES KIT + FITTING KIT**



FREIN /BRAKE	REF / PN	QTY ESSIEU /AXLE	DESIGNATION BPW <b>ECO 95</b> (CAME S) <b>V1</b>
420X180	<b>1903271</b>	1	KIT MACHOIRES GARNIES BPW SN4218 +ACC CO/ LINED BRAKE SHOES KIT
420X200	<b>1909471</b>	1	KIT MACHOIRES GARNIES BPW SN4220 +ACC CO/ LINED BRAKE SHOES KIT

**KIT COMPLET MACHOIRES GARNIES + KIT ACCESSOIRES  
COMPLETE BRAKE SHOES KIT + FITTING KIT**



FREIN /BRAKE	REF / PN	QTY ESSIEU /AXLE	DESIGNATION BPW <b>ECO 95 (CAME S) V2</b>
420X180	<b>1903272</b>	1	KIT MACHOIRES GARNIES BPW SN4218 +ACC CO/ LINED BRAKE SHOES KIT
420X180	<b>AC0046</b>	1	KIT REP. MACHOIRES BPW ECO 95 V2 / BRAKE SHOES FITTING KIT
420X200	<b>1909472</b>	1	KIT MACHOIRES GARNIES BPW SN4220 +ACC CO/ LINED BRAKE SHOES KIT
420X200	<b>AC0046</b>	1	KIT REP. MACHOIRES BPW ECO 95 V2 / BRAKE SHOES FITTING KIT



**KIT COMPLET MACHOIRES GARNIES + KIT ACCESSOIRES**  
**COMPLETE BRAKE SHOES KIT + FITTING KIT**



FREIN /BRAKE	REF / PN	QTY ESSIEU /AXLE	DESIGNATION GIGANT (CAME S)
300X200	<b>1957471</b>	1	KIT MACHOIRES GARNIES SN3020 + ACC CO/ LINED BRAKE SHOES KIT

**KIT COMPLET MACHOIRES GARNIES + KIT ACCESSOIRES**  
**COMPLETE BRAKE SHOES KIT + FITTING KIT**



FREIN /BRAKE	TYP	REF / PN	QTY ESSIEU /AXLE	DESIGNATION LECINENA (CAME S)
316X200		<b>1985870</b>	1	KIT MACHOIRES GARNIES + ACC CO/ LINED BRAKE SHOES KIT
316X200		<b>AC0050</b>	2	KIT REP. MACHOIRES / BRAKE SHOES FITTING KIT

**KIT COMPLET MACHOIRES GARNIES + KIT ACCESSOIRES  
COMPLETE BRAKE SHOES KIT + FITTING KIT**

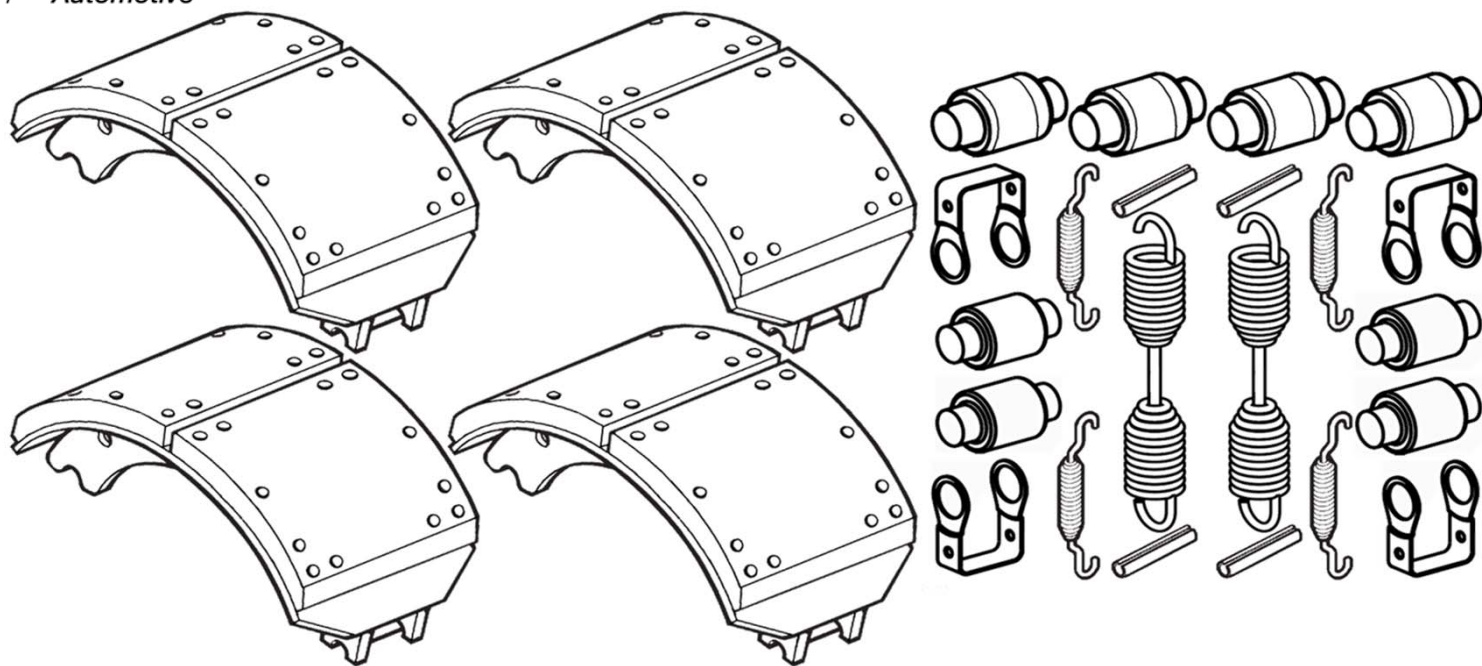


FREIN TYP /BRAKE	REF / PN	QTY ESSIEU /AXLE	DESIGNATION LECINENA (CAME S)
410X200	<b>1987970</b>	1	KIT MACHOIRES GARNIES + ACC CO/ LINED BRAKE SHOES KIT



FREIN /BRAKE	TYP	REF / PN	QTY	ESSIEU /AXLE	DESIGNATION ROR (CAME S)
311X190	AC	<b>1960470</b>	1		KIT MACHOIRES GARNIES ROR TM + ACC CO/ LINED BRAKE SHOES KIT
311X190	AC	<b>AC0047</b>	2		KIT REP. MACHOIRES ROR FREIN AC / BRAKE SHOES FITTING KIT AC BRAKE





FREIN /BRAKE	TYP	REF / PN	QTY ESSIEU /AXLE	DESIGNATION ROR (CAME S)
419X178	Q	<b>1903770</b>	1	KIT MACHOIRES GARNIES ROR TM , TE +ACC CO/ LINED BRAKE SHOES KIT
419X178	Q	<b>1903771</b>	1	KIT MACHOIRES GARNIES ROR TM , TE +ACC +1MM/ LINED BRAKE SHOES KIT
419X219	Z	<b>1936970</b>	1	KIT MACHOIRES GARNIES ROR TM +ACC CO/ LINED BRAKE SHOES KIT
419X219	Z	<b>1936971</b>	1	KIT MACHOIRES GARNIES ROR TM +ACC +1MM/ LINED BRAKE SHOES KIT

**KIT COMPLET MACHOIRES GARNIES + KIT ACCESSOIRES  
COMPLETE BRAKE SHOES KIT + FITTING KIT**



FREIN /BRAKE	TYP	REF / PN	QTY ESSIEU /AXLE	DESIGNATION ROR (CAME S)
419X178	Q+	<b>1903070</b>	1	KIT MACHOIRES GARNIES ROR LM, LMC +ACC CO/ LINED BRAKE SHOES KIT
419X178	Q+	<b>AC0048</b>	2	KIT REP. MACHOIRES ROR FREIN Q+ / BRAKE SHOES FITTING KIT Q+ BRAKE

**KIT COMPLET MACHOIRES GARNIES + KIT ACCESSOIRES  
COMPLETE BRAKE SHOES KIT + FITTING KIT**

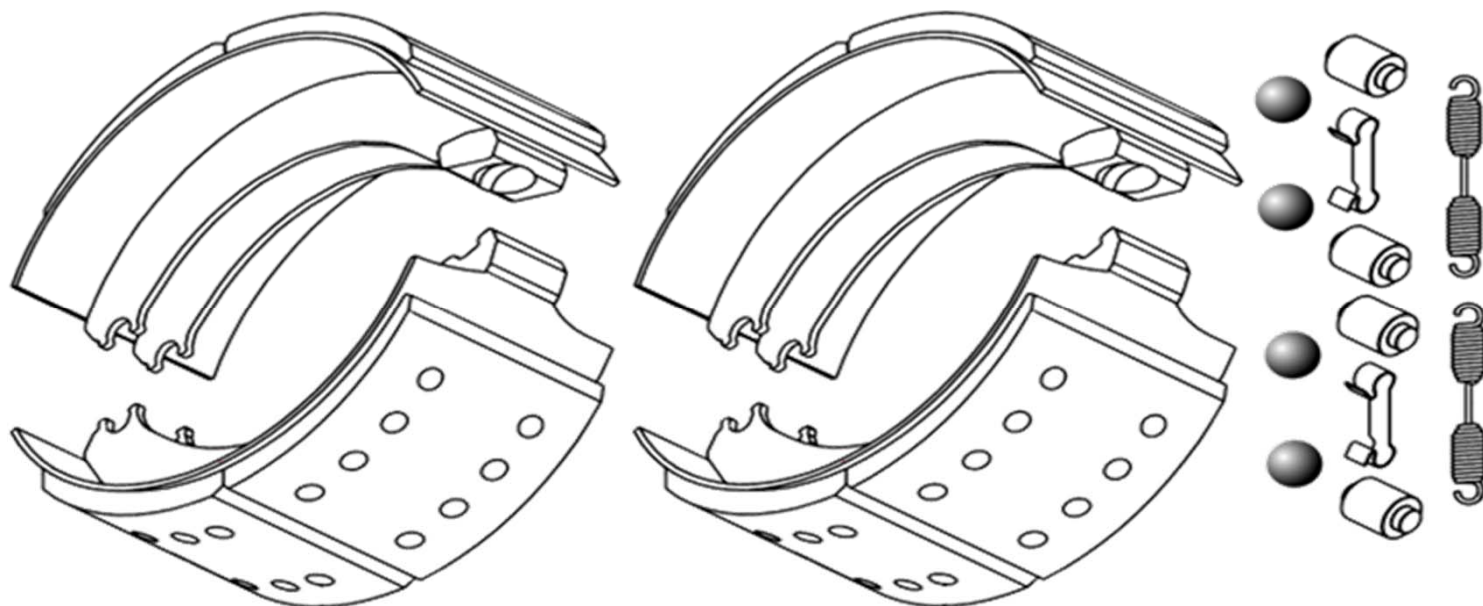


FREIN /BRAKE	TYP	REF / PN	QTY ESSIEU /AXLE	DESIGNATION ROR (CAME S)
350X200	B	<b>1990870</b>	1	KIT MACHOIRES GARNIES ROR TM + ACC CO/ LINED BRAKE SHOES KIT
350X200	B	<b>AC0040</b>	2	KIT REP. MACHOIRES ROR FREIN B / BRAKE SHOES FITTING KIT B BRAKE



FREIN /BRAKE	REF / PN	QTY ESSIEU /AXLE	DESIGNATION SAE DUPILLIER (CAME S)
305X200	<b>1976270</b>	1	KIT MACHOIRES GARNIES SAE 3020 + ACC CO/ LINED BRAKE SHOES KIT





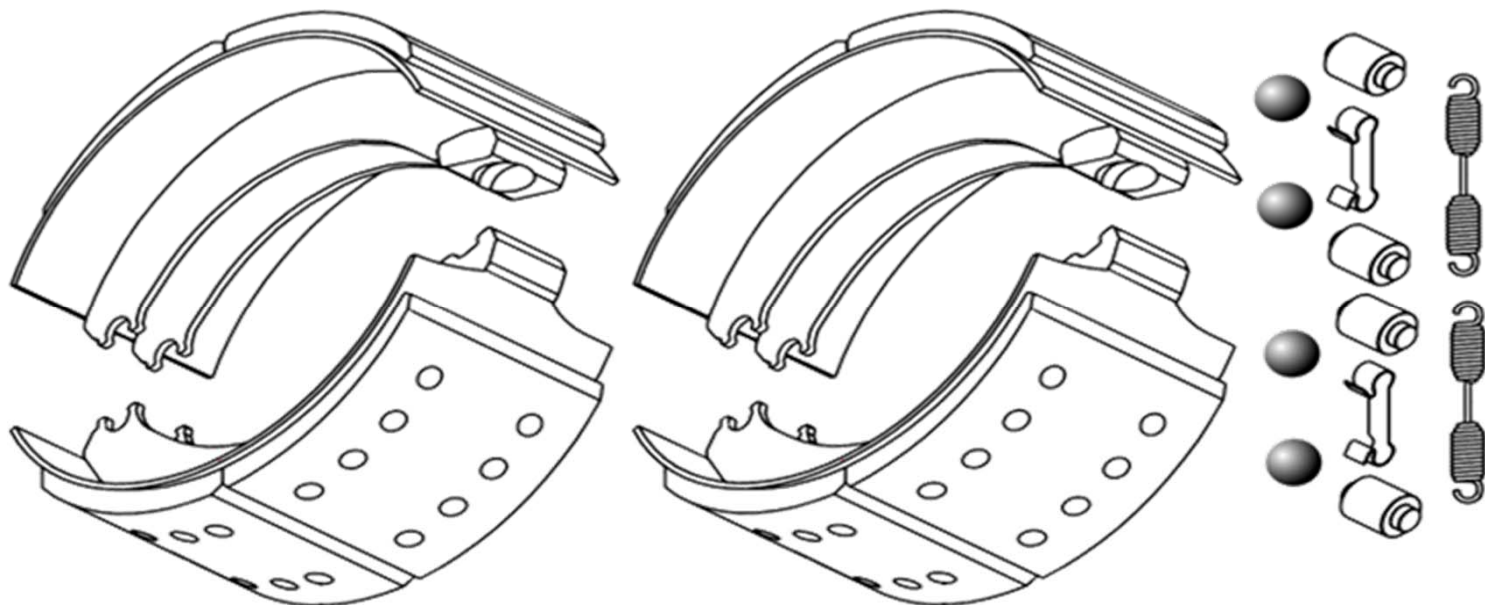
FREIN /BRAKE	REF / PN	QTY ESSIEU /AXLE	DESIGNATION SAF SNK3020 (SK9030- SK11030) Z Series 3020
300X200	<b>1951570</b>	1	KIT MACHOIRES GARNIES SAF SNK3020 +ACC CO/ LINED BRAKE SHOES KIT
300X200	<b>AC0054</b>	4	SPHERE DE MACHOIRE SAF DIA. 40 MM / BALL BRAKE SHOES
300X200	<b>RES021</b>	2	RESSORTS DE RAPPEL / RETURN SPRING
300X200	<b>RES022</b>	2	RESSORT CLIP / SPRING HOLD DOWN CLIP

**KIT COMPLET MACHOIRES GARNIES + KIT ACCESSOIRES  
COMPLETE BRAKE SHOES KIT + FITTING KIT**

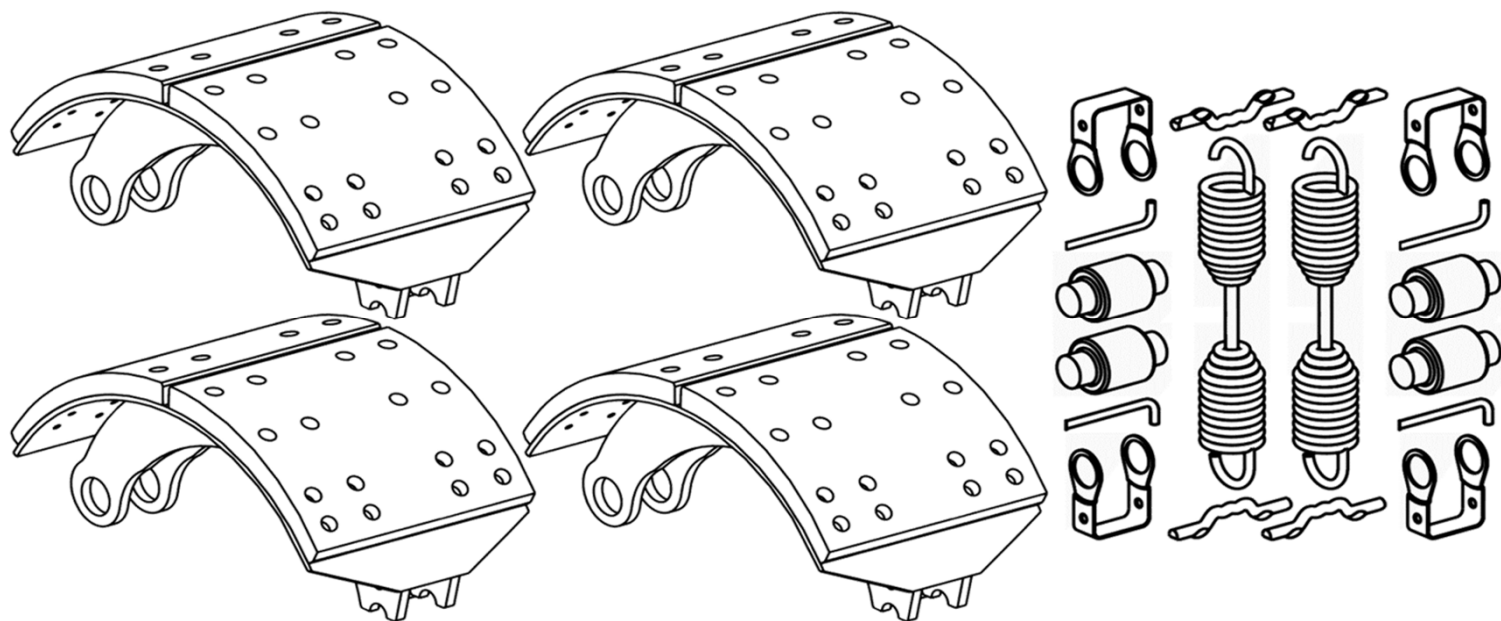


FREIN /BRAKE	REF / PN	QTY ESSIEU /AXLE	DESIGNATION SAF (CAME S)
420X180	<b>1903274</b>	1	KIT MACHOIRES GARNIES SAF SKRF9042 +ACC CO/ LINED BRAKE SHOES KIT
420X180	<b>1903275</b>	1	KIT MACHOIRES GARNIES SAF SKRF9042 +ACC +1MM/ LINED BRAKE SHOES KIT
420X200	<b>1909474</b>	1	KIT MACHOIRES GARNIES SAF RLSM11242 +ACC CO/ LINED BRAKE SHOES KIT
420X200	<b>1909475</b>	1	KIT MACHOIRES GARNIES SAF RLSM11242 +ACC +1MM/ LINED BRAKE SHOES KIT

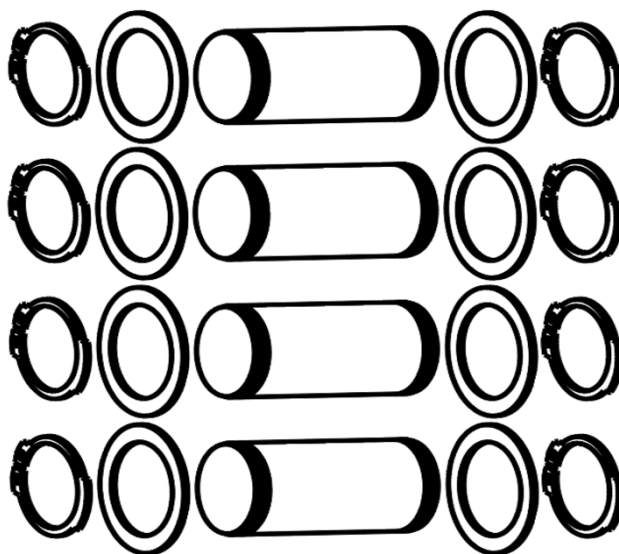
**KIT COMPLET MACHOIRES GARNIES + KIT ACCESSOIRES  
COMPLETE BRAKE SHOES KIT + FITTING KIT**



FREIN /BRAKE	REF / PN	QTY ESSIEU /AXLE	DESIGNATION SAF (CAME S)
420X180	<b>1928370</b>	1	KIT MACHOIRES GARNIES SAF SNK420x180 +ACC CO/ LINED BRAKE SHOES KIT
420X180	<b>AC0053</b>	2	KIT REP. MACHOIRES SAF SNK / BRAKE SHOES FITTING KIT
420X200	<b>1947770</b>	1	KIT MACHOIRES GARNIES SAF SNK420x200 +ACC CO/ LINED BRAKE SHOES KIT
420X200	<b>AC0053</b>	2	KIT REP. MACHOIRES SAF SNK / BRAKE SHOES FITTING KIT



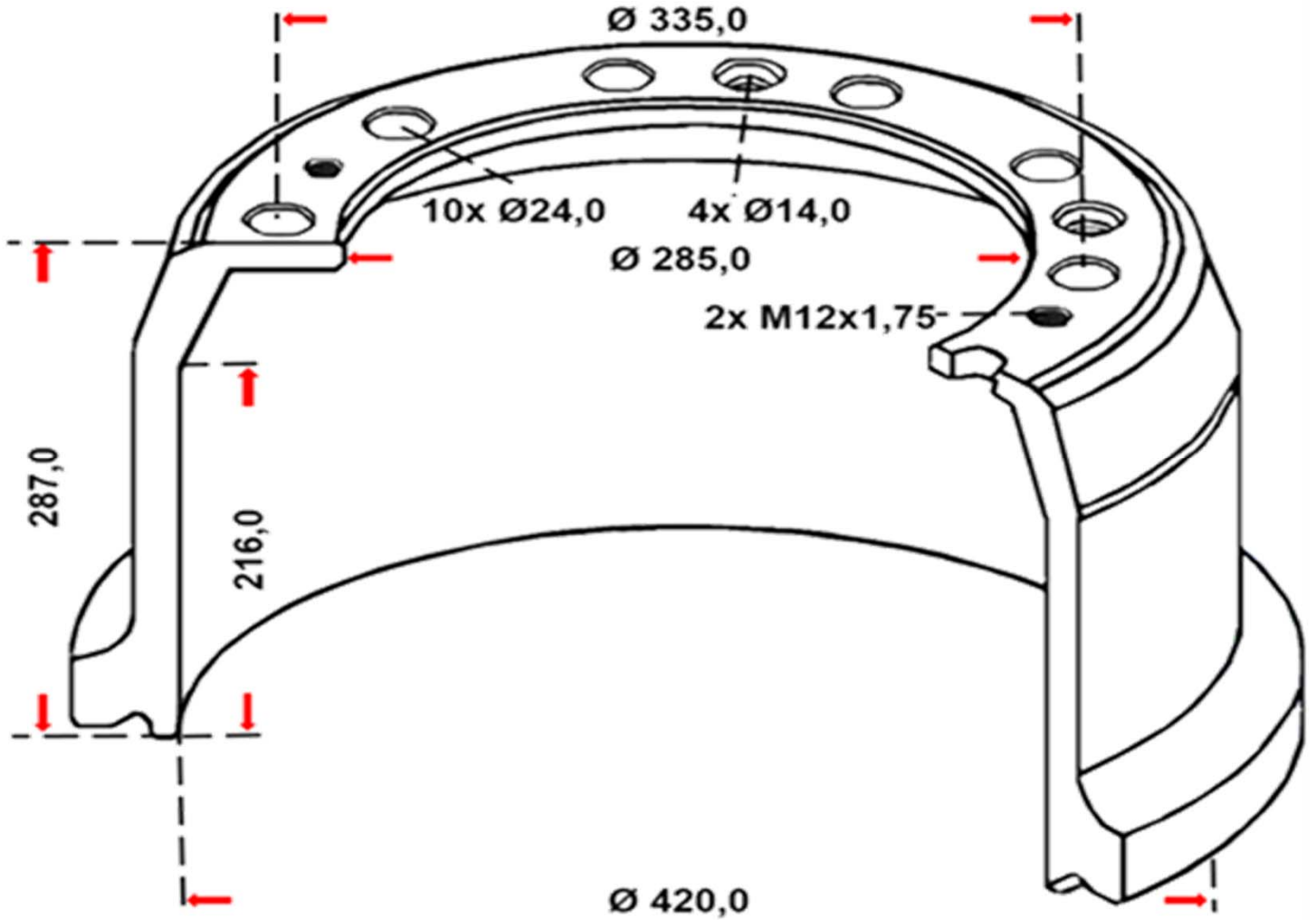
FREIN /BRAKE	REF / PN	QTY ESSIEU /AXLE	DESIGNATION SMB (CAME S)
419X178	<b>1961370</b>	1	KIT MACHOIRES GARNIES SMB C2 +ACC CO/ LINED BRAKE SHOES KIT
419X178	<b>1961370+</b>	1	KIT MACHOIRES GARNIES SMB C2 +ACC CO/ LINED BRAKE SHOES KIT +APF003
419X178	<b>1961371</b>	1	KIT MACHOIRES GARNIES SMB C2 +ACC +1MM/ LINED BRAKE SHOES KIT
419X178	<b>1961371+</b>	1	KIT MACHOIRES GARNIES SMB C2 +ACC +1MM/LINED BRAKE SHOES KIT+APF003
419X203	<b>1955770</b>	1	KIT MACHOIRES GARNIES SMB C1 +ACC CO/ LINED BRAKE SHOES KIT
419X203	<b>1955770+</b>	1	KIT MACHOIRES GARNIES SMB C1 +ACC CO/ LINED BRAKE SHOES KIT+APF003
419X203	<b>1955771</b>	1	KIT MACHOIRES GARNIES SMB C1 +ACC +1MM/ LINED BRAKE SHOES KIT
419X203	<b>1955771+</b>	1	KIT MACHOIRES GARNIES SMB C1 +ACC +1MM/LINED BRAKE SHOES KIT+APF003



FREIN /BRAKE	REF / PN	QTY ESSIEU /AXLE	DESIGNATION SMB (CAME S)
419X178	<b>APF003</b>	1	KIT REP. AXE POINT FIXE SMB/ BRAKE SHOES PIN SET
419X203	<b>APF003</b>	1	KIT REP. AXE POINT FIXE SMB/ BRAKE SHOES PIN SET

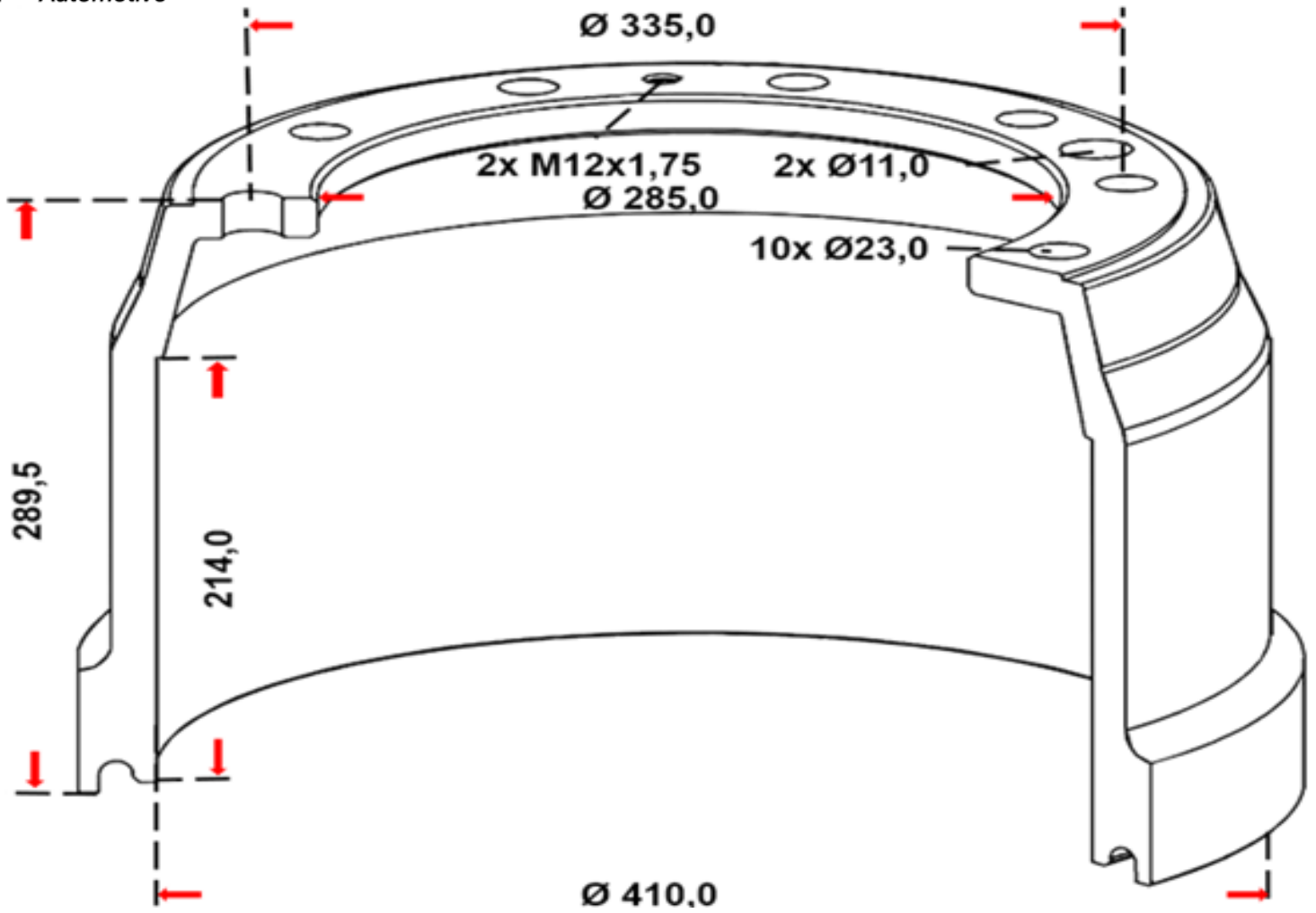


**TAMBOURS DE FREIN ET KIT COMPLET  
MACHOIRES GARNIES AVEC TAMBOURS  
BRAKE DRUM AND COMPLETE BRAKE SHOES KIT  
WITH BRAKE DRUM**



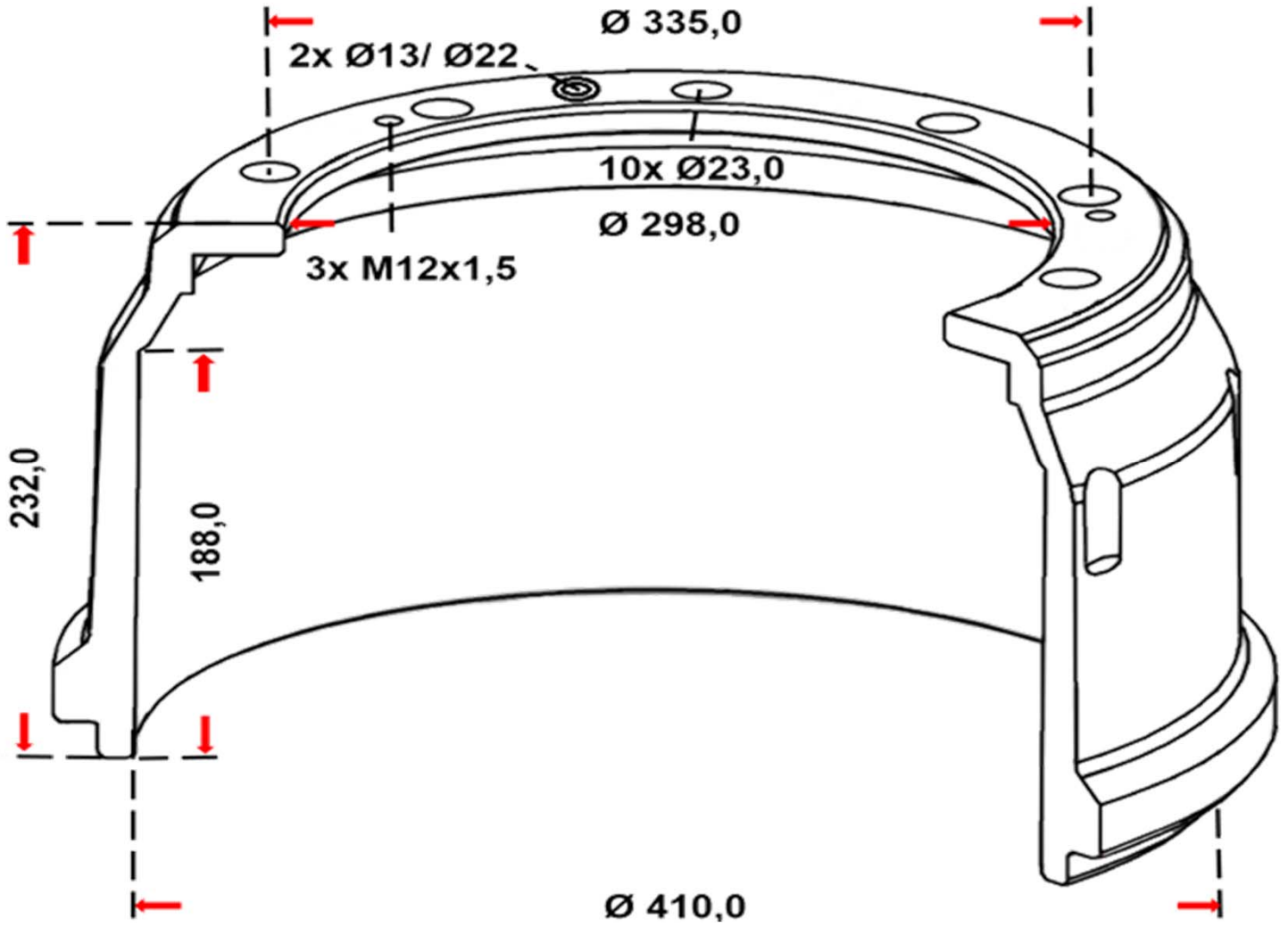
FREIN /BRAKE	REF / PN	QTY ESSIEU /AXLE	DESIGNATION DAF (CAME S)
420X200	<b>TF1910</b>	2	TAMBOURS DE FREIN / BRAKE DRUM CORRESPOND NUMERO OES 075983; 0360559; 0365579; 0754397; 4501585;
420X200	<b>TF1910KMG</b>	1	COMPOSITION : TF1910 x 2 + 1906380 x 1

**TAMBOURS DE FREIN ET KIT COMPLET  
MACHOIRES GARNIES AVEC TAMBOURS  
BRAKE DRUM AND COMPLETE BRAKE SHOES KIT  
WITH BRAKE DRUM**



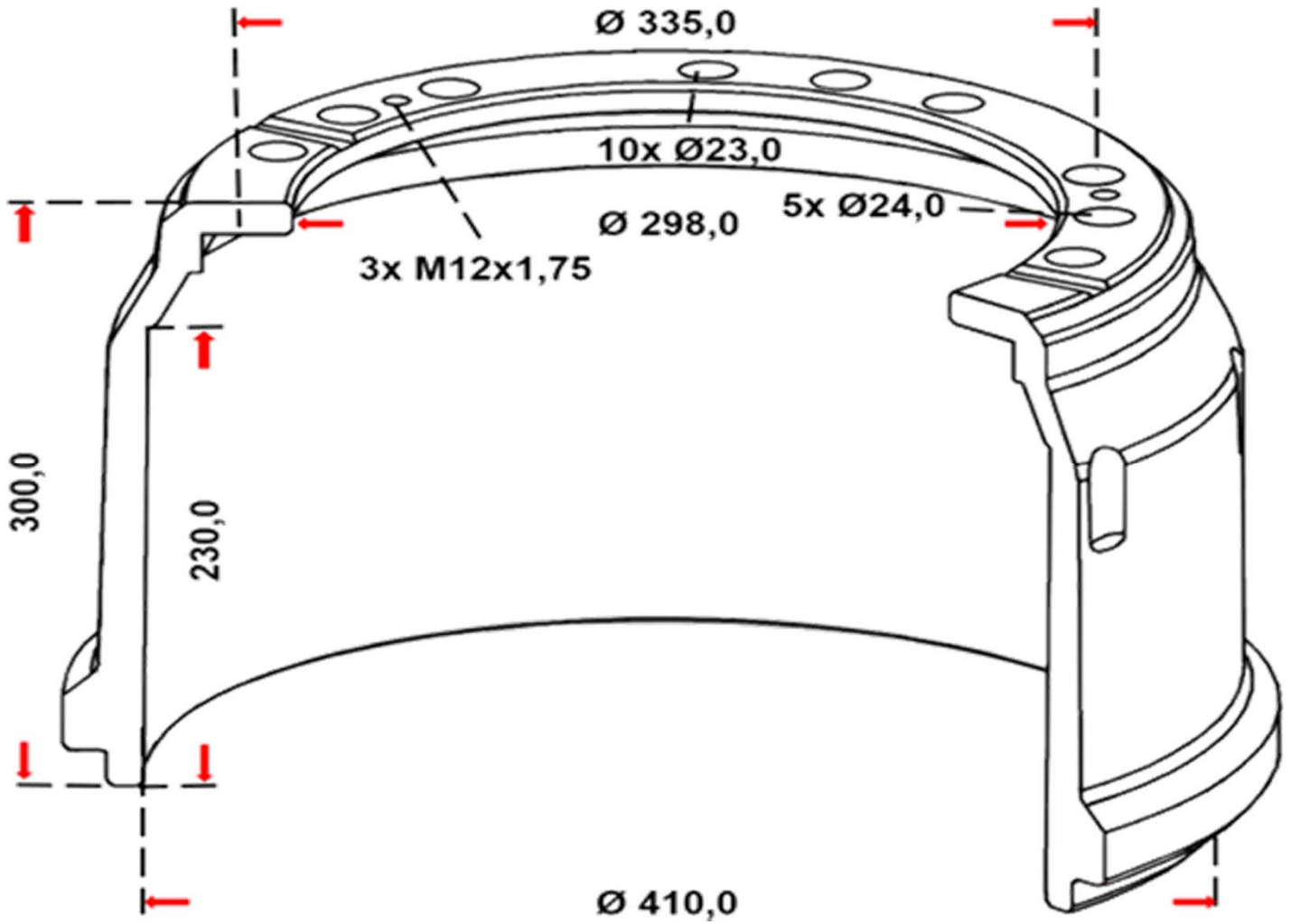
FREIN / BRAKE	REF / PN	QTY ESSIEU / AXLE	DESIGNATION IVECO (STOPMASTER DUPLEX)
410X200	<b>TF1101</b>	2	TAMBOURS DE FREIN / BRAKE DRUM CORRESPOND NUMERO OES 115070; 127817; 7183050
410X200	<b>TF1101KMG</b>	1	COMPOSITION : TF1101 x 2 + 1911680NV x 1

**TAMBOURS DE FREIN ET KIT COMPLET  
MACHOIRES GARNIES AVEC TAMBOURS  
BRAKE DRUM AND COMPLETE BRAKE SHOES KIT  
WITH BRAKE DRUM**



FREIN / BRAKE	REF / PN	QTY ESSIEU / AXLE	DESIGNATION MAN (S CAME)
410X183	<b>TF2051</b>	2	TAMBOURS DE FREIN / BRAKE DRUM OES NR CORRESPONDS TO 64501100001; 81501100214; 81501100227; 81501100232; 81501100239; 2V5501615B; 5021202662;
410X183	<b>TF2051KMG</b>	1	COMPOSITION : TF2051 x 2 + 1949578 x 1

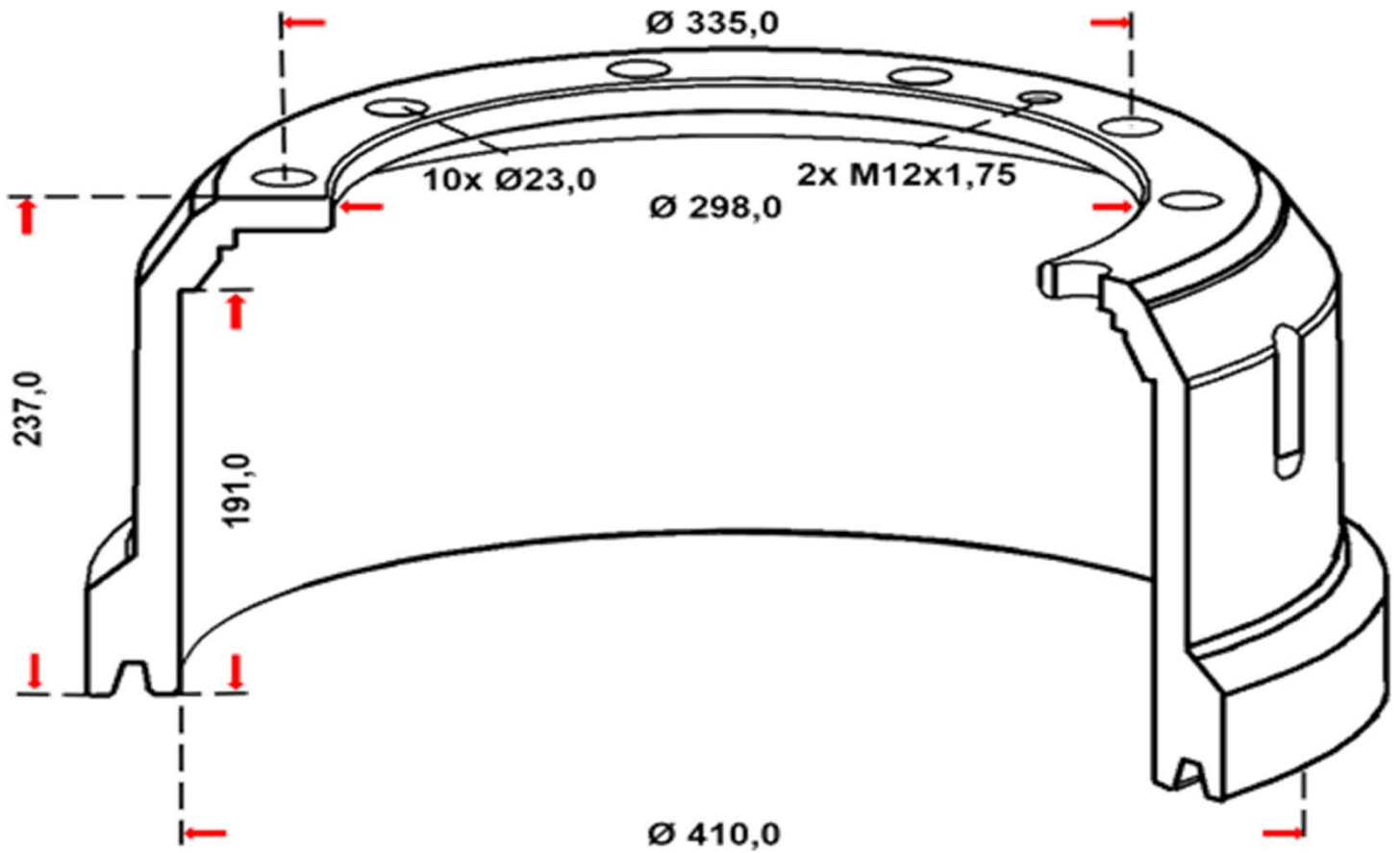
**TAMBOURS DE FREIN ET KIT COMPLET  
MACHOIRES GARNIES AVEC TAMBOURS  
BRAKE DRUM AND COMPLETE BRAKE SHOES KIT  
WITH BRAKE DRUM**



FREIN / BRAKE	REF / PN	QTY ESSIEU / AXLE	DESIGNATION MAN (S CAME)
410X223	<b>TF2048</b>	2	TAMBOURS DE FREIN / BRAKE DRUM OES NR CORRESPONDS TO 64501100002; 81501100104; 81501100107; 81501100144; 81501100200; 81501100244; 81501100245; 81501103144; 81501109144; 81998030040; 81998030240; 5000284896; 5021104104; 5021202660;
410X223	<b>TF2048KMG</b>	1	COMPOSITION : TF2048 x 2 + 1949678 x 1

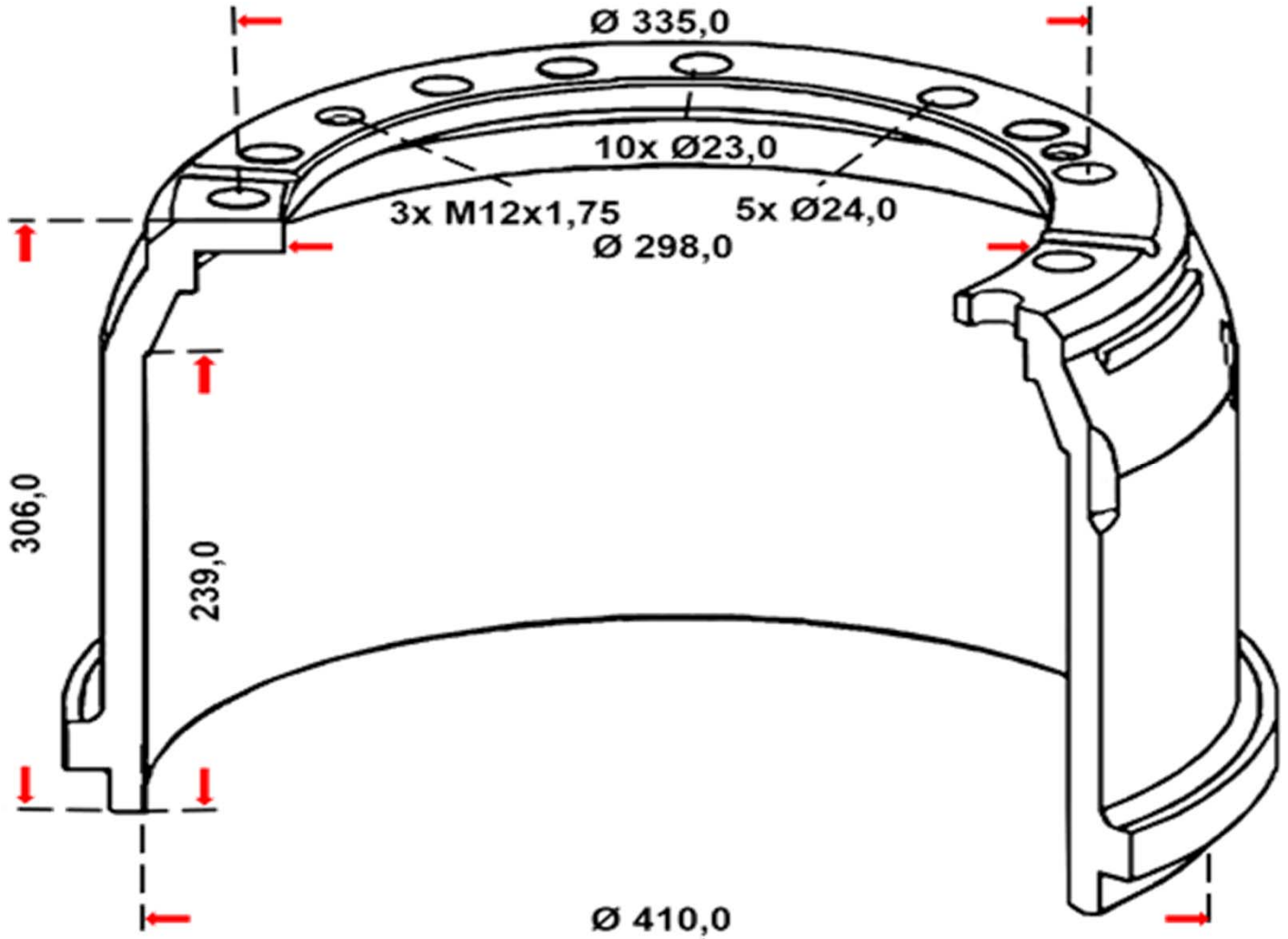


**TAMBOURS DE FREIN ET KIT COMPLET  
MACHOIRES GARNIES AVEC TAMBOURS  
BRAKE DRUM AND COMPLETE BRAKE SHOES KIT  
WITH BRAKE DRUM**



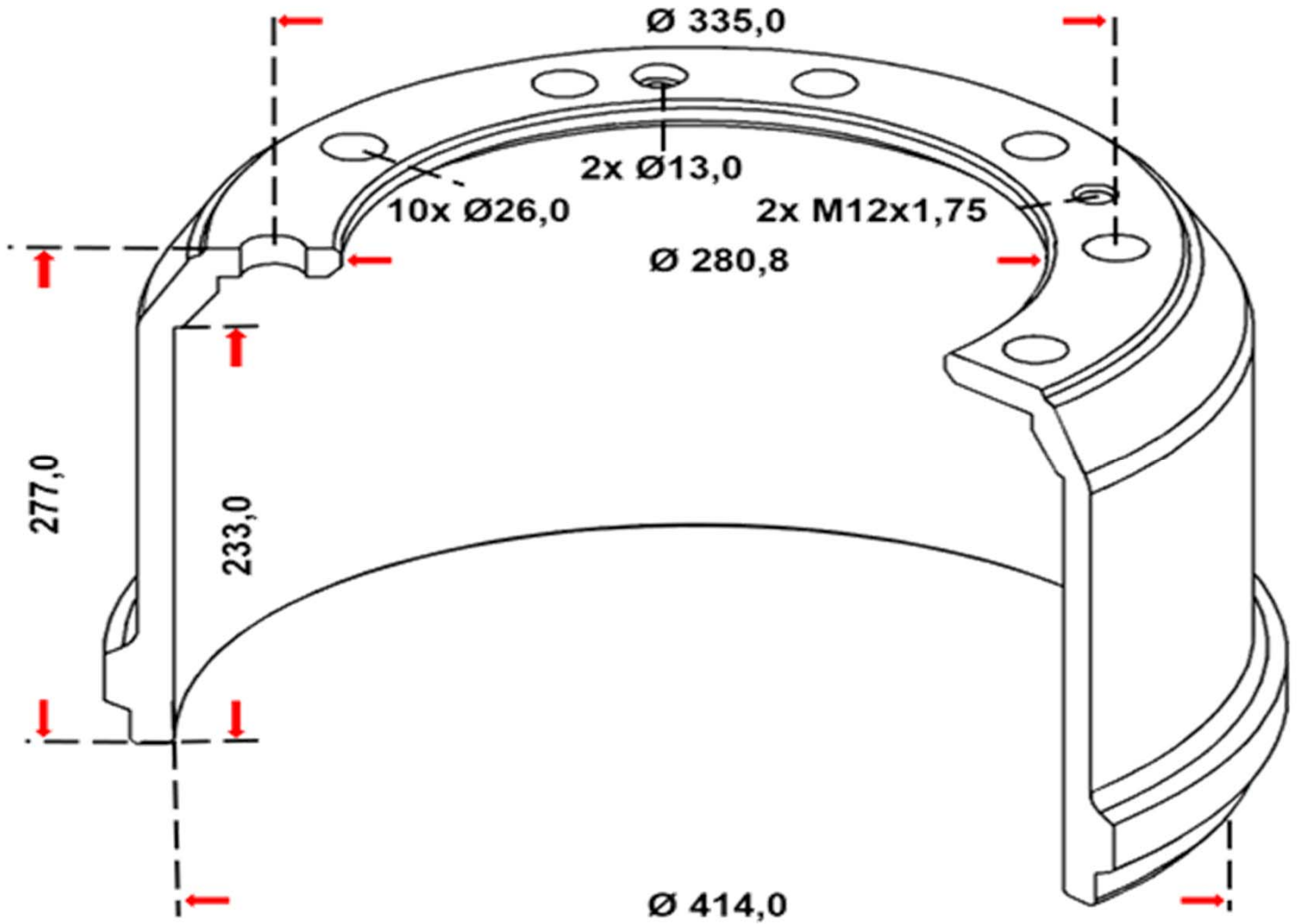
FREIN / BRAKE	REF / PN	QTY ESSIEU / AXLE	DESIGNATION MERCEDES (CAME S)
410x183	<b>TF1069</b>	2	TAMBOURS DE FREIN / BRAKE DRUM OES NR CORRESPONDS TO 3014210901; 3014211301; 6244210201; 6584210001; 6864210001; A3014210901; A3014211301; A6244210201; A6584210001; A6864210001;
410x183	<b>TF1069KMG</b>	1	COMPOSITION : TF1069 x 2 + 1949578 x 1

**TAMBOURS DE FREIN ET KIT COMPLET  
MACHOIRES GARNIES AVEC TAMBOURS  
BRAKE DRUM AND COMPLETE BRAKE SHOES KIT  
WITH BRAKE DRUM**



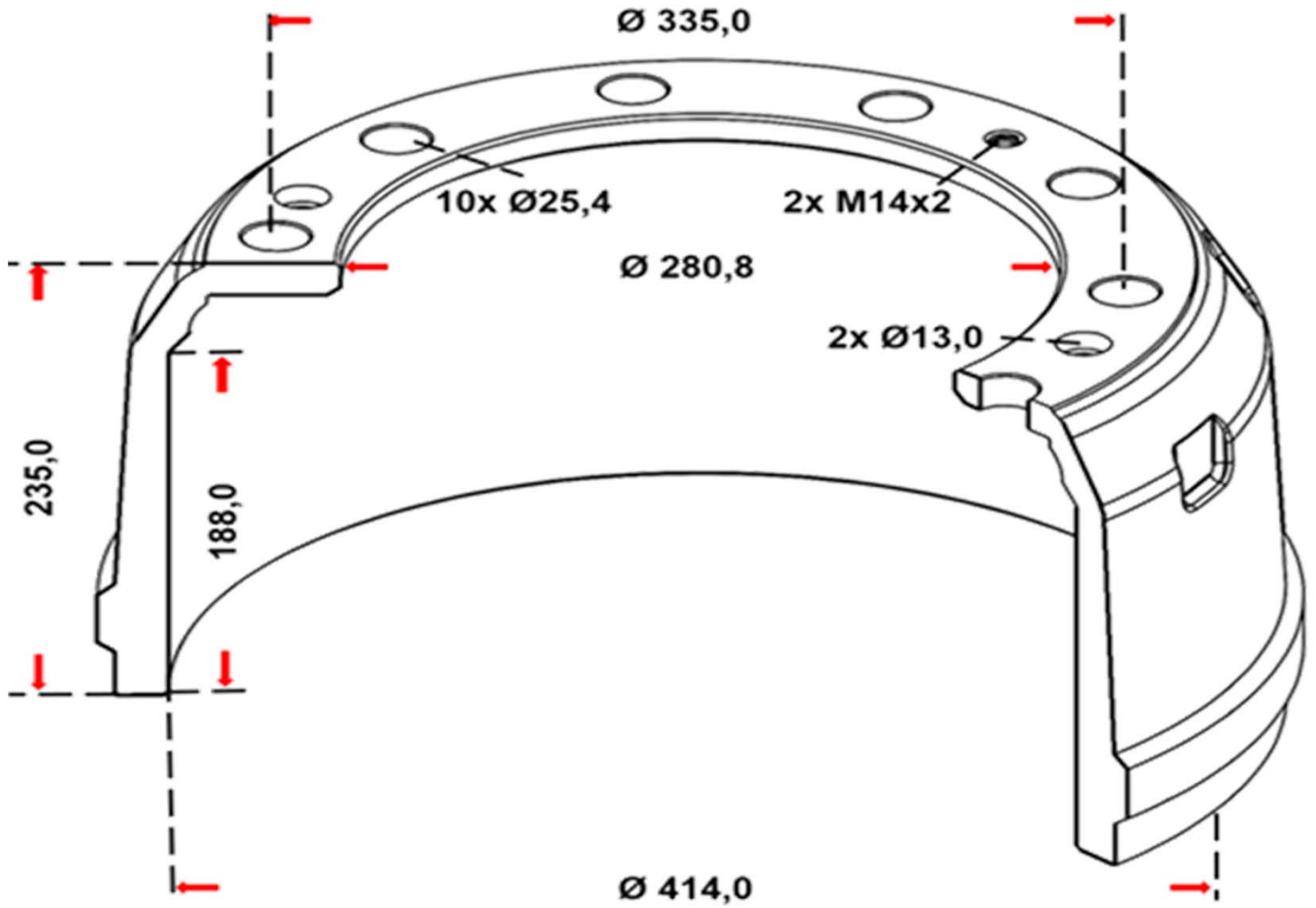
FREIN /BRAKE	REF / PN	QTY ESSIEU /AXLE	DESIGNATION MERCEDES (CAME S)
410x223	<b>TF1042</b>	2	TAMBOURS DE FREIN / BRAKE DRUM OES NR CORRESPONDS TO 3054230201; 3054230301; 3054230401; 3554230801; 6864230001; A3054230201; A3054230301; A3054230401; A3554230801; A6864230001;
410x223	<b>TF1042KMG</b>	1	COMPOSITION : TF1042 x 2 + 1949678 x 1

**TAMBOURS DE FREIN ET KIT COMPLET  
MACHOIRES GARNIES AVEC TAMBOURS  
BRAKE DRUM AND COMPLETE BRAKE SHOES KIT  
WITH BRAKE DRUM**



FREIN / BRAKE	REF / PN	QTY ESSIEU / AXLE	DESIGNATION RENAULT TRUCKS (CAME S)
414x220	<b>TF6802</b>	2	TAMBOURS DE FREIN / BRAKE DRUM OES NR CORRESPONDS TO 5001019218; 503527498; 0000189923; 5010098949;
414x220	<b>TF6802KMG</b>	1	COMPOSITION : TF6802 x 2 + 1918780 x 1
414x220	<b>TF6802KMGK</b>	1	COMPOSITION : TF6802 x 2 + 1918780K x 1

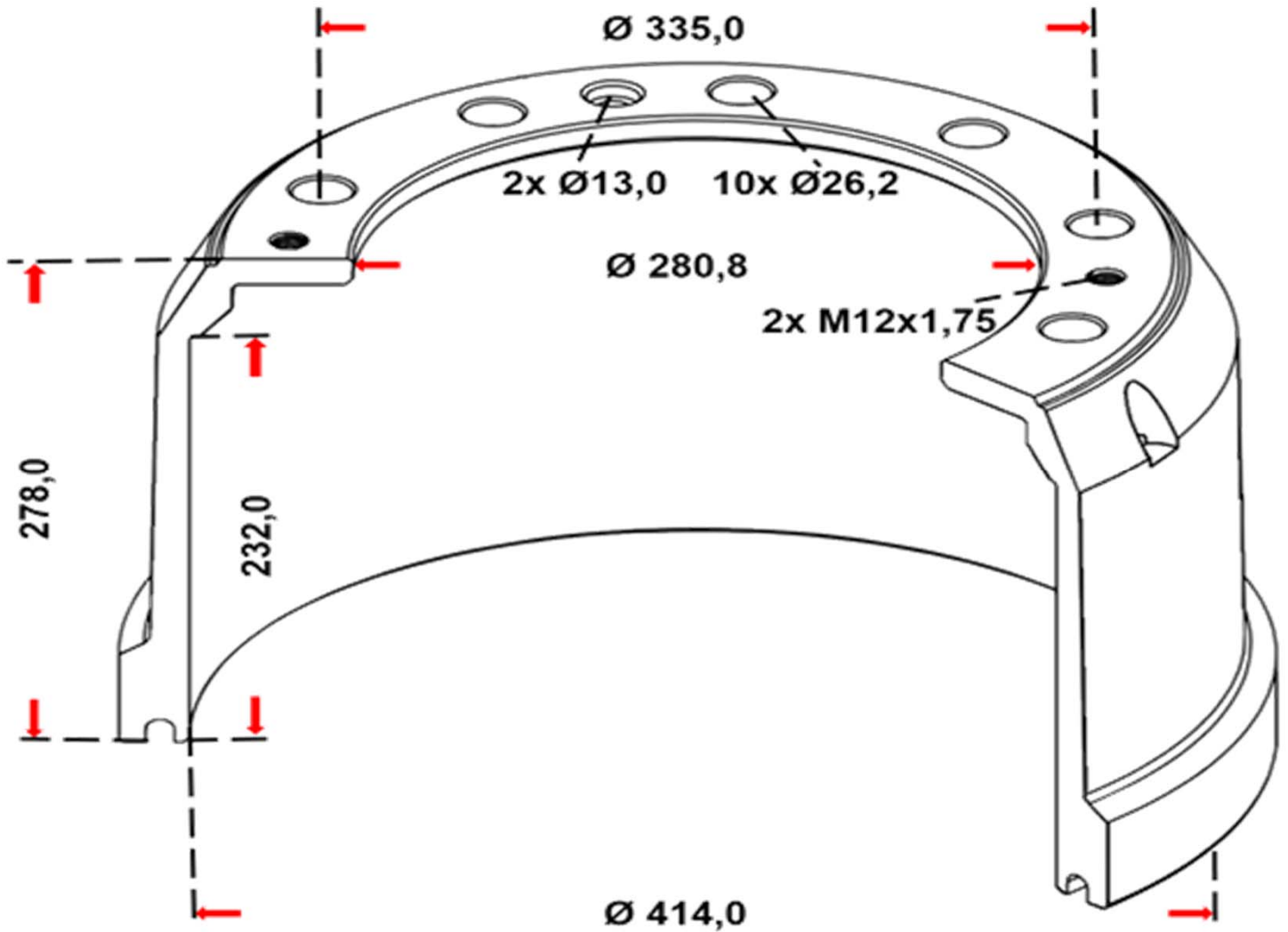
**TAMBOURS DE FREIN ET KIT COMPLET  
MACHOIRES GARNIES AVEC TAMBOURS  
BRAKE DRUM AND COMPLETE BRAKE SHOES KIT  
WITH BRAKE DRUM**



FREIN / BRAKE	REF / PN	QTY ESSIEU / AXLE	DESIGNATION RENAULT TRUCKS (CAME S)
414x175	<b>TF6804</b>	2	TAMBOURS DE FREIN / BRAKE DRUM OES NR CORRESPONDS TO 5010260663
414x175	<b>TF6804KMG</b>	1	COMPOSITION : TF6804 x 2 + 1993580 x 1
414x175	<b>TF6804KMGK</b>	1	COMPOSITION : TF6804 x 2 + 1993580K x 1

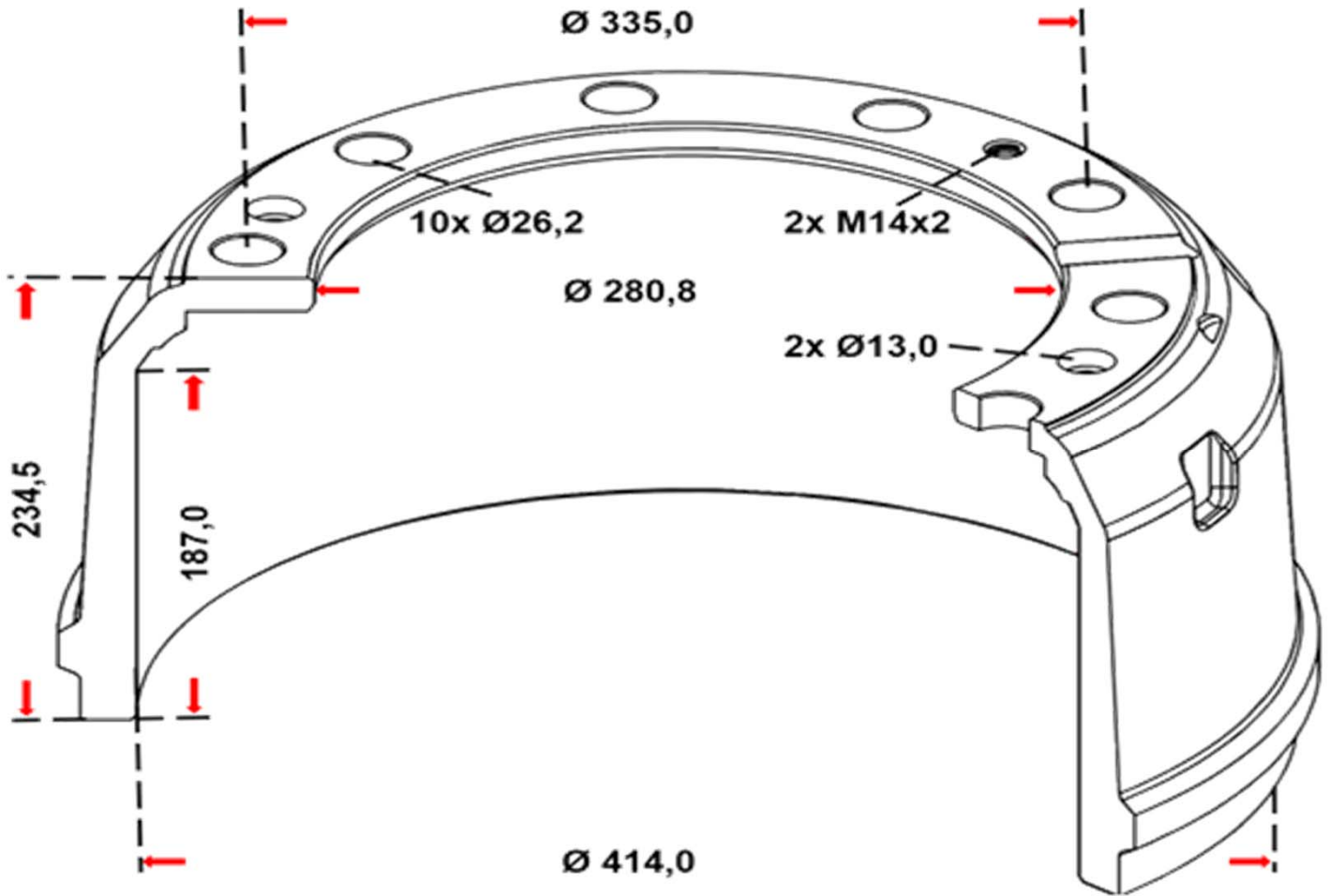


**TAMBOURS DE FREIN ET KIT COMPLET  
MACHOIRES GARNIES AVEC TAMBOURS  
BRAKE DRUM AND COMPLETE BRAKE SHOES KIT  
WITH BRAKE DRUM**



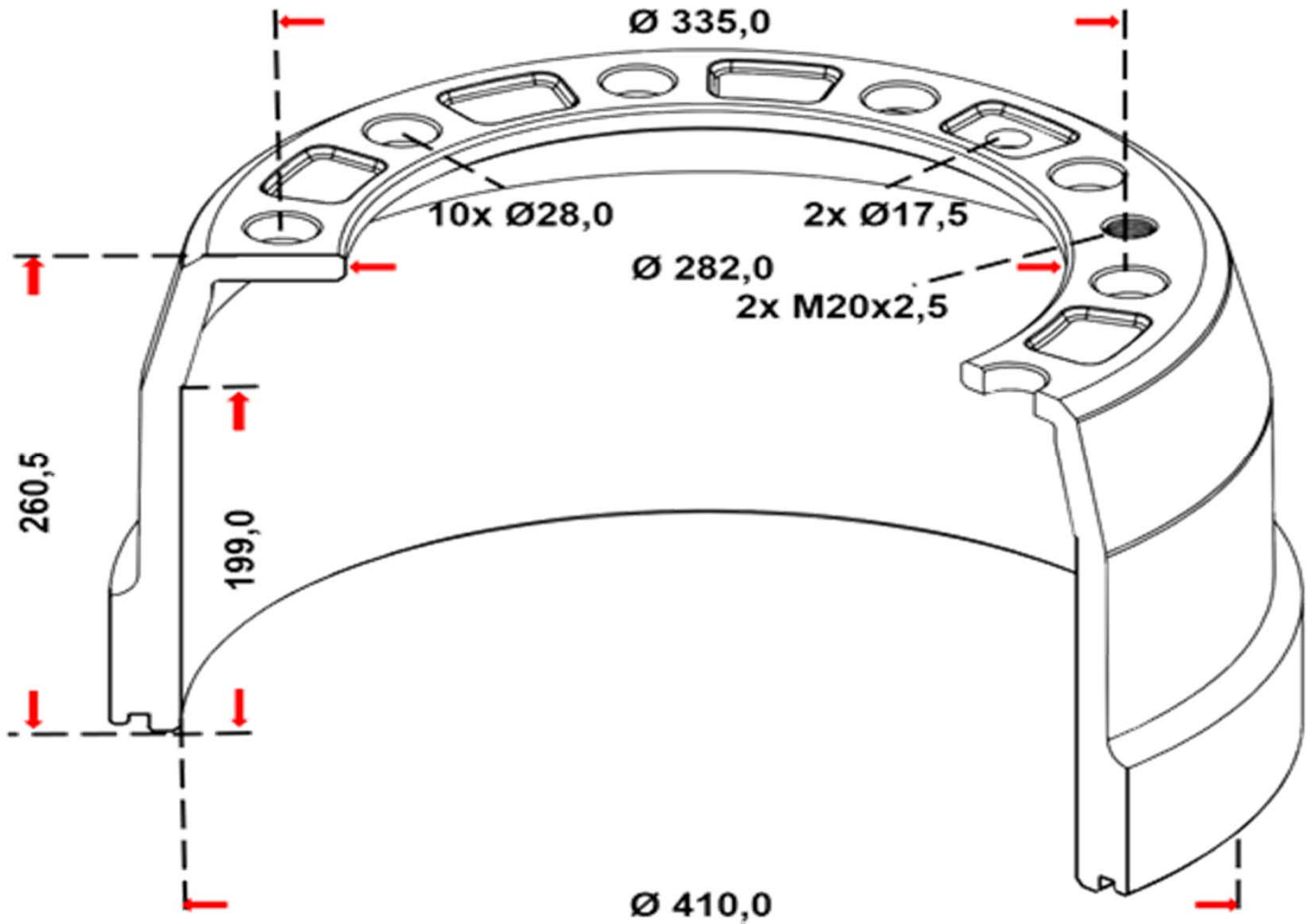
FREIN / BRAKE	REF / PN	QTY ESSIEU / AXLE	DESIGNATION RENAULT TRUCKS (CAME S)
414x220	<b>TF6805</b>	2	TAMBOURS DE FREIN / BRAKE DRUM OES NR CORRESPONDS TO 5010525805
414x220	<b>TF6805KMG</b>	1	COMPOSITION : TF6805 x 2 + 1918780 x 1
414x220	<b>TF6805KMGK</b>	1	COMPOSITION : TF6805 x 2 + 1918780K x 1

**TAMBOURS DE FREIN ET KIT COMPLET  
MACHOIRES GARNIES AVEC TAMBOURS  
BRAKE DRUM AND COMPLETE BRAKE SHOES KIT  
WITH BRAKE DRUM**



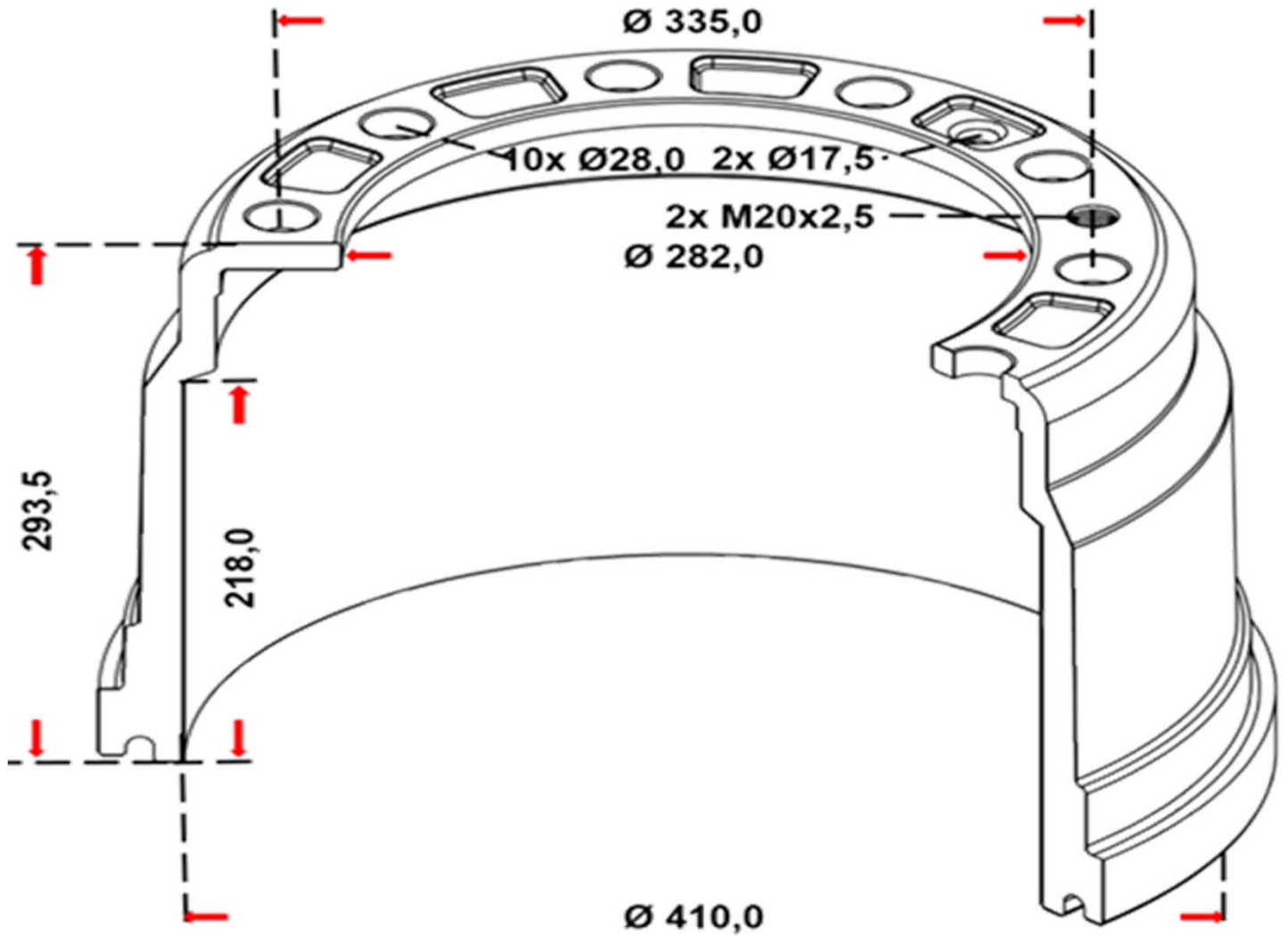
FREIN /BRAKE	REF / PN	QTY ESSIEU /AXLE	DESIGNATION RENAULT TRUCKS (CAME S)
414x175	<b>TF6808</b>	2	TAMBOURS DE FREIN / BRAKE DRUM OES NR CORRESPONDS TO 189937; 0000192371; 192371; 0000194435; 194435; 0000194456; 194546; 5000727768; 5000737768; 5010019220; 5600104971; Vendu sans kit complet / No sale in complete kit
414x150	<b>1993480</b>	1	POSSIBLE KIT
414x175	<b>1993580</b>	1	POSSIBLE KIT
414x175	<b>1993580BOM</b>	1	POSSIBLE KIT
414x175	<b>1993580K</b>	1	POSSIBLE KIT

**TAMBOURS DE FREIN ET KIT COMPLET  
MACHOIRES GARNIES AVEC TAMBOURS  
BRAKE DRUM AND COMPLETE BRAKE SHOES KIT  
WITH BRAKE DRUM**



FREIN /BRAKE	REF / PN	QTY ESSIEU /AXLE	DESIGNATION RENAULT TRUCKS VOLVO TRUCKS (CAME Z)
410x175	<b>TF1667</b>	2	TAMBOURS DE FREIN / BRAKE DRUM OES NR CORRESPONDS TO 7420713926; 7421451969; 371744; 1075306; 3171744; 3192887; 20713926; 21094122; 21451966;
410x175	<b>TF1667KMG</b>	1	COMPOSITION : TF1667 x 2 + 1909080 x 1

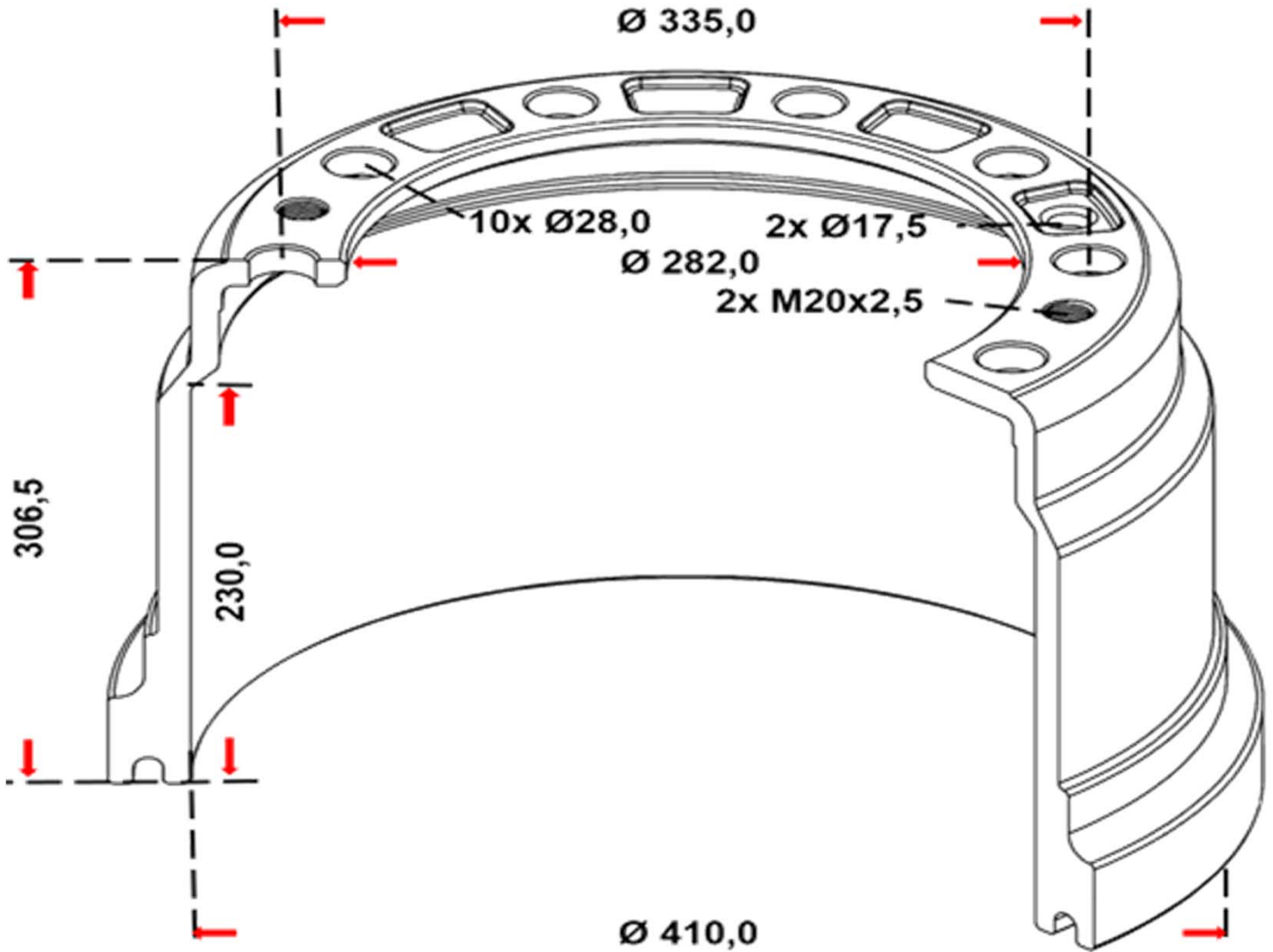
**TAMBOURS DE FREIN ET KIT COMPLET  
MACHOIRES GARNIES AVEC TAMBOURS  
BRAKE DRUM AND COMPLETE BRAKE SHOES KIT  
WITH BRAKE DRUM**



FREIN /BRAKE	REF / PN	QTY ESSIEU /AXLE	DESIGNATION RENAULT TRUCKS VOLVO TRUCKS (CAME Z)
410x200	<b>TF1660</b>	2	TAMBOURS DE FREIN / BRAKE DRUM OES NR CORRESPONDS TO 7420713927; 7421359819; 7421451973; 7422926943; 1075309; 3171747; 20713927; 21094123; 21451967; 21508812;
410x200	<b>TF1660KMG</b>	1	COMPOSITION : TF1660 x 2 + 1907180 x 1

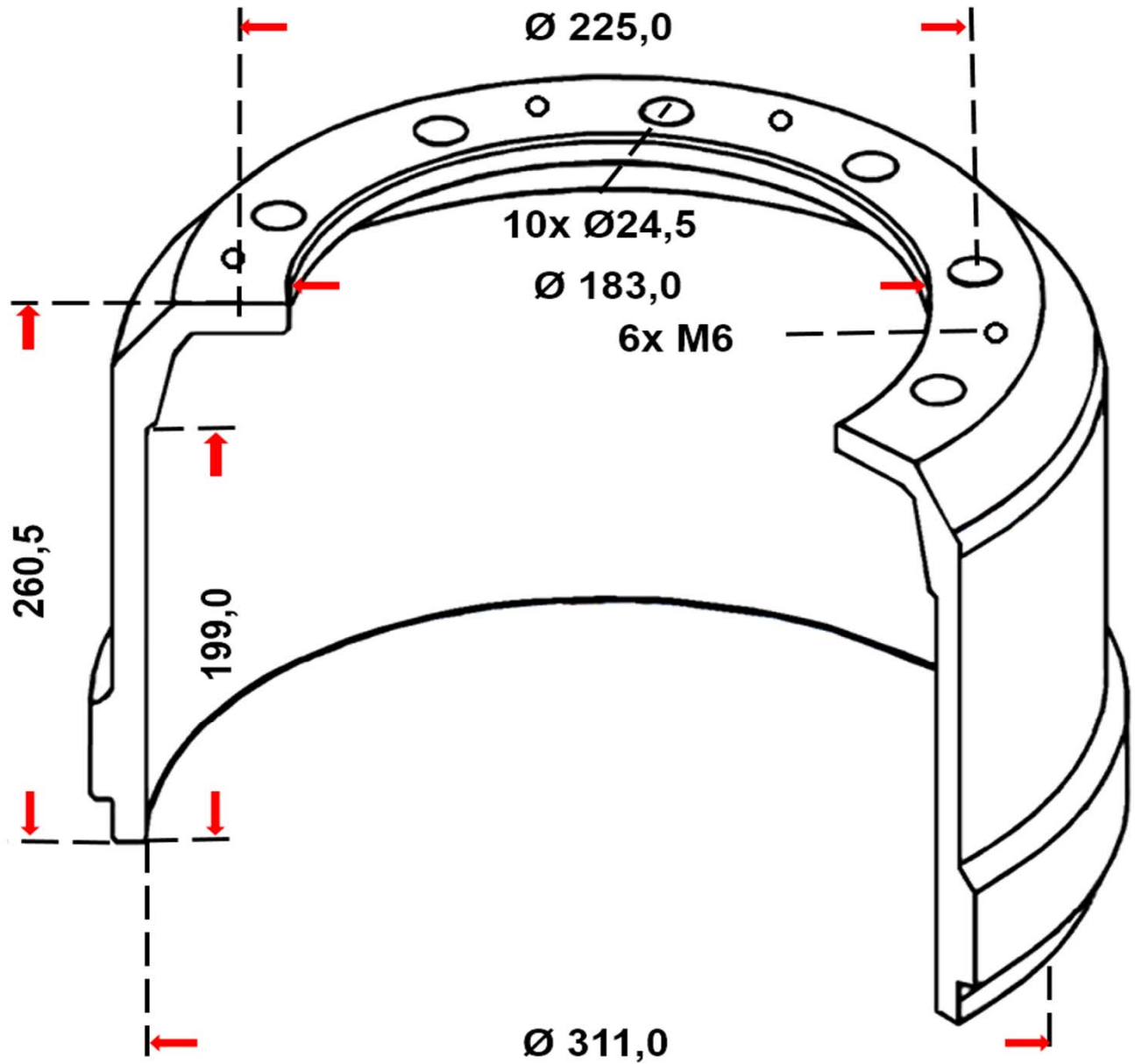


**TAMBOURS DE FREIN ET KIT COMPLET  
MACHOIRES GARNIES AVEC TAMBOURS  
BRAKE DRUM AND COMPLETE BRAKE SHOES KIT  
WITH BRAKE DRUM**



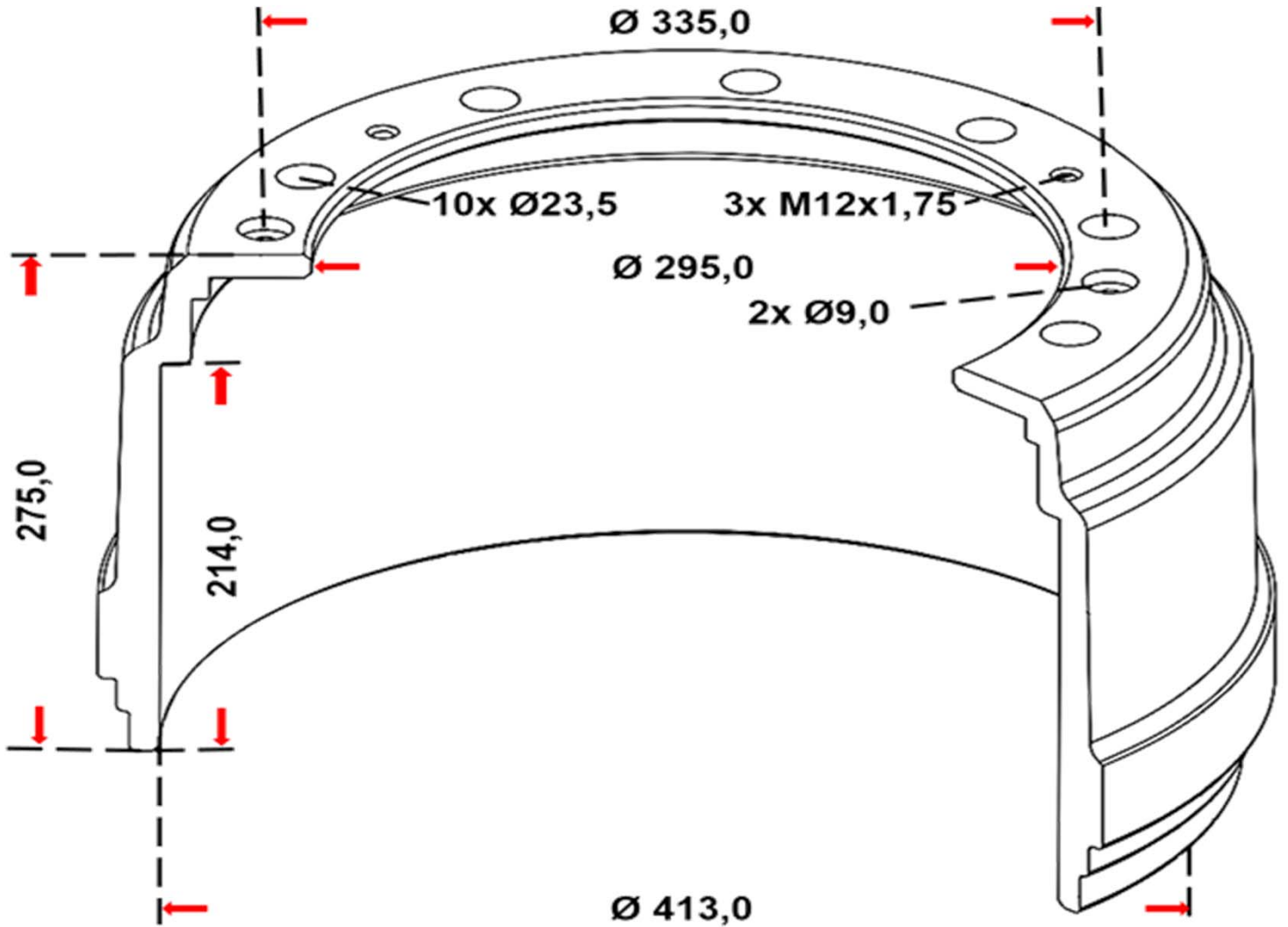
FREIN /BRAKE	REF / PN	QTY ESSIEU /AXLE	DESIGNATION RENAULT TRUCKS VOLVO TRUCKS (CAME Z)
410x225	<b>TF1655</b>	2	TAMBOURS DE FREIN / BRAKE DRUM OES NR CORRESPONDS TO 7420713928; 7421359820; 7421451972; 1075310; 1599012; 3171748; 20713928; 21094124; 21451968; 21508813;
410x225	<b>TF1655KMG</b>	1	COMPOSITION : TF1655 x 2 + 1906880 x 1

TAMBOURS DE FREIN ET KIT COMPLET  
MACHOIRES GARNIES AVEC TAMBOURS  
BRAKE DRUM AND COMPLETE BRAKE SHOES KIT  
WITH BRAKE DRUM

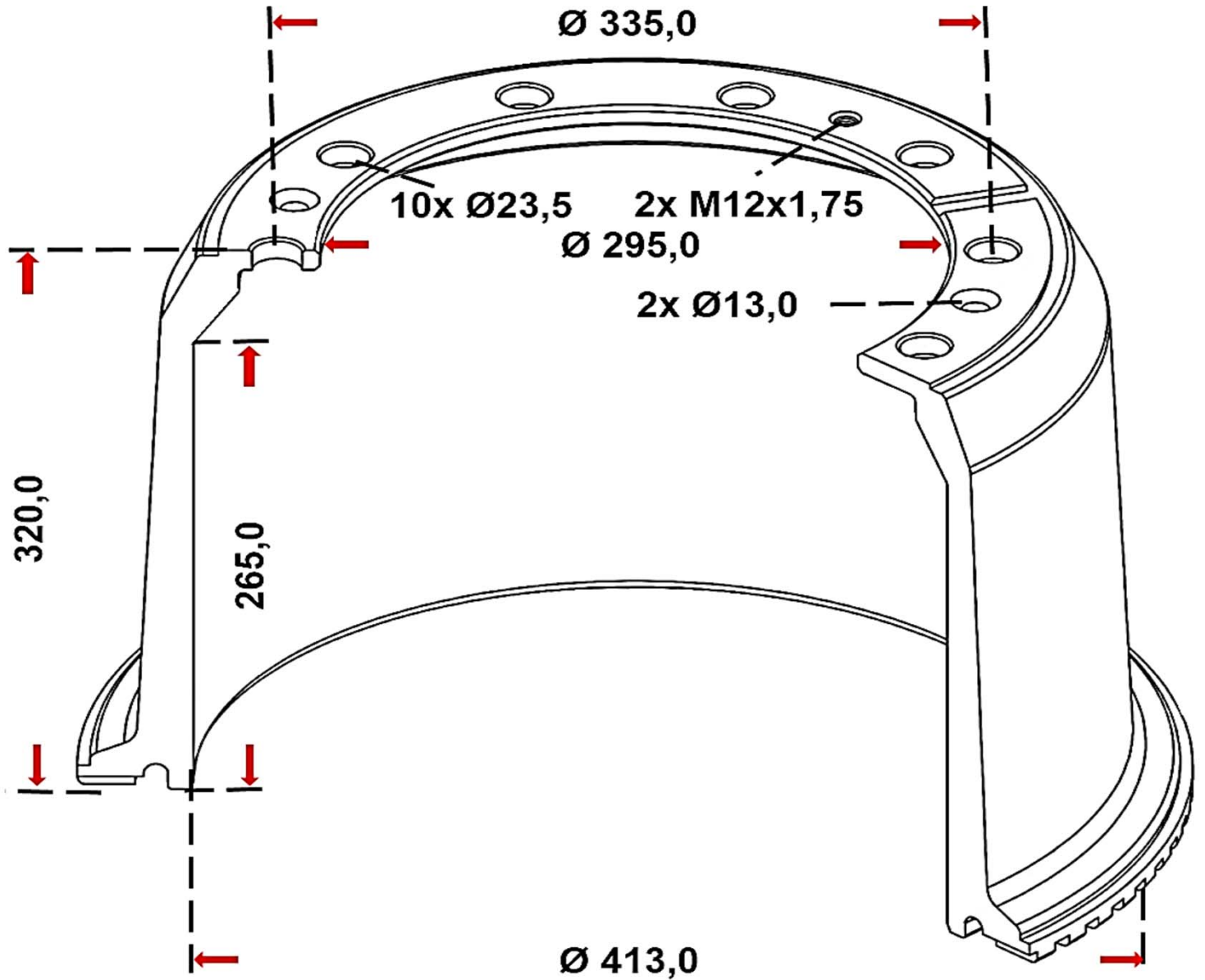


FREIN /BRAKE	REF / PN	QTY ESSIEU /AXLE	DESIGNATION ROR TM, TE AC BRAKE - 17,5"
311x190	<b>TF5650</b>	2	TAMBOURS DE FREIN / BRAKE DRUM OES NR CORRESPONDS TO 21018963; 21023036; 21023038; 2103038; 21209723; 21209723S; 26656400A;
311x190	<b>TF5650KMG</b>	1	COMPOSITION : TF5650 x 2 + 1960470 x 1

**TAMBOURS DE FREIN ET KIT COMPLET  
MACHOIRES GARNIES AVEC TAMBOURS  
BRAKE DRUM AND COMPLETE BRAKE SHOES KIT  
WITH BRAKE DRUM**




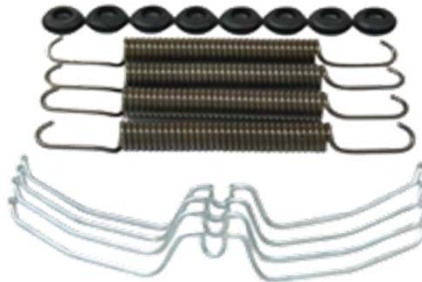



FREIN / BRAKE	REF / PN	QTY ESSIEU / AXLE	DESIGNATION SCANIA (CAME S)
413x203	<b>TF3104</b>	2	TAMBOURS DE FREIN / BRAKE DRUM OES NR CORRESPONDS TO 392386; 1333117; 1361331; 1414153; 2109552; 2378715;
413x203	<b>TF3104KMG</b>	1	COMPOSITION : TF3104 x 2 + 1993280 x 1



FREIN / BRAKE	REF / PN	QTY ESSIEU / AXLE	DESIGNATION SCANIA (CAME S)
413x254	<b>TF3110</b>	2	TAMBOURS DE FREIN / BRAKE DRUM OES NR CORRESPONDS TO 293543; 305438; 342880; 360573; 1385893; 1414435; 2109553; 2378716;
413x254	<b>TF3110KMG</b>	1	COMPOSITION : TF3110 x 2 + 1993380 x 1

## ILLUSTRATIONS DRAWINGS







Reference	Designation	WVA	Illustration
<b>AB350929</b>	MACHOIRE NUE RT 310X125 / UNLINED BRAKE SHOES	17352	
<b>AB350891</b>	MACHOIRE NUE RT 325X150 / UNLINED BRAKE SHOES	19709	
<b>AB337220</b>	MACHOIRE NUE RT 360X170 / UNLINED BRAKE SHOES	19255; 19259	
<b>AB337276</b>	ECARTEUR FREIN COIN RT 360X170- 310X125-325X150 / WEDGE BRAKE	17352; 19255; 19259; 19709	
<b>KRES005</b>	KIT RESSORT DE MACHOIRES RT / SPRING KIT	17352; 19709	
<b>KRES006</b>	KIT RESSORT DE MACHOIRES RT / SPRING KIT	19255; 19259	
<b>AC0001</b>	KIT D'AXE TRANSVERSAL / CROSS SHAFT KIT	17992; 19068; 19071; 19090; 19941	



## ILLUSTRATIONS DRAWINGS

Reference	Designation	WVA	Illustration
<b>AC0002</b>	KIT DE TIGE MANUELLE / MANUAL OVERRIDE STEM KIT	17992; 19068; 19071; 19090; 19941	
<b>MAC7992/2</b>	KIT 2 MACHOIRES NUES 410X125 / UNLINED BRAKE SHOES KIT (2 PIECES) Th.:8 mm	17992	
<b>MAC9941/2</b>	KIT 2 MACHOIRES NUES 410X150 / UNLINED BRAKE SHOES KIT (2 PIECES) Th.:8 mm	19941	
<b>MAC9090/2</b>	KIT 2 MACHOIRES NUES 410X175 / UNLINED BRAKE SHOES KIT (2 PIECES) Th.:8 mm	19090	
<b>MAC9071/2</b>	KIT 2 MACHOIRES NUES 410X200 / UNLINED BRAKE SHOES KIT (2 PIECES) Th.:8 mm	19071	
<b>MAC9068/2</b>	KIT 2 MACHOIRES NUES 410X225 / UNLINED BRAKE SHOES KIT (2 PIECES) Th.:8 mm	19068	
<b>AC0003</b>	KIT DE VERROUILLAGE DE REGLEUR / ADJUSTER LOCK KIT	17992; 19068; 19071; 19090; 19941	
<b>AC0004</b>	KIT DE VERROUILLAGE DE REGLEUR / ADJUSTER LOCK KIT	17992; 19068; 19071; 19090; 19941	

**ILLUSTRATIONS  
DRAWINGS**

Reference	Designation	WVA	Illustration
<b>AC0005</b>	KIT DE REGLAGE DROIT / ADJUSTER KIT RIGHT	17992; 19068; 19071; 19090; 19941	
<b>AC0006</b>	KIT DE REGLAGE GAUCHE / ADJUSTER KIT LEFT	17992; 19068; 19071; 19090; 19941	
<b>AC0007</b>	JAMBE / STRUT	17992; 19068; 19071; 19090; 19941	
<b>AC0008</b>	VIS NOYEE M6X100-16 / SET SCREW	17992; 19068; 19071; 19090; 19941	
<b>AC0009</b>	PLAQUE COUVERCLE / COVERPLATE	17992; 19068; 19071; 19090; 19941	
<b>AC0012</b>	JOINT DE COUVERCLE / COVERPLATE GASKET	17992; 19068; 19071; 19090; 19941	
<b>AC0010</b>	PIGNON GAUCHE / PINION LEFT	17992; 19068; 19071; 19090; 19941	

**ILLUSTRATIONS  
DRAWINGS**

Reference	Designation	WVA	Illustration
<b>AC0011</b>	PIGNON DROIT / PINION RIGHT	17992; 19068; 19071; 19090; 19941	
<b>AC0013</b>	RESSORT EN C / C SPRING	17992; 19068; 19071; 19090; 19941	
<b>AC0014</b>	CACHE - POUSSIÈRE / DIRT EXCLUDER	17992; 19068; 19071; 19090; 19941	
<b>AC0015</b>	AGRAFE À RESSORT / SPRING HOLDDOWN CLIP	17992; 19068; 19071; 19090; 19941	
<b>AC0016</b>	PION DE BUTÉE / ABUTMENT PIN	17992; 19068; 19071; 19090; 19941	
<b>MAC9187</b>	MACHOIRE NUE RT 414X220 AVEC GALET / UNLINED BRAKE SHOES WITH ROLLER	19187	

**ILLUSTRATIONS  
DRAWINGS**

Reference	Designation	WVA	Illustration
<b>MAC9187K</b>	MACHOIRE NUE RT 414X220 KERAX AVEC GALET / UNLINED BRAKE SHOES WITH ROLLER	19187	
<b>MAC9934</b>	MACHOIRE NUE RT 414X150 AVEC GALET / UNLINED BRAKE SHOES WITH ROLLER	19934	
<b>MAC9934K</b>	MACHOIRE NUE RT 414X150 REDUIT AVEC GALET / UNLINED BRAKE SHOES WITH ROLLER	19934	
<b>MAC9935</b>	MACHOIRE NUE RT 414X175 AVEC GALET / UNLINED BRAKE SHOES WITH ROLLER	19935	
<b>MAC9935K</b>	MACHOIRE NUE RT 414X175 KERAX AVEC GALET / UNLINED BRAKE SHOES WITH ROLLER	19935	
<b>AC0018</b>	GALET / ROLLER	19187; 19934; 19935	
<b>AC0019</b>	AXE DE GALET / ROLLER AXE	19187; 19934; 19935	











**ILLUSTRATIONS  
DRAWINGS**

Reference	Designation	WVA	Illustration
<b>AC0021</b>	ROTULE 42X62X25 / BALL	19187; 19934; 19935	
<b>APF001</b>	AXE POINT FIXE / ANCHOR FIXED	19187; 19934; 19935	
<b>APF001/1</b>	GOUPILLE MECANIMBUS / PIN	19187; 19934; 19935	
<b>APF001/2</b>	JOINT TORIQUE / O-RING	19187; 19934; 19935	
<b>APF001/3</b>	BAGUE POINT FIXE / BUSH	19187; 19934; 19935	
<b>AXE001</b>	AXE RESSORT RT / AXIS SPRING	19187; 19934; 19935	
<b>AXE002</b>	AXE RESSORT RT / AXIS SPRING	19187; 19934; 19935	
<b>BE0001</b>	BAGUE D'ETANCHEITE 120X160X15 / O- SEAL	19187; 19934; 19935	
<b>RES001</b>	RESSORT DE MACHOIRES RT / RETURN SPRING 142X36,5X5	19187; 19934; 19935	
<b>RES002</b>	RESSORT DE MACHOIRES RT / RETURN SPRING 237X29X4	19187; 19934; 19935	

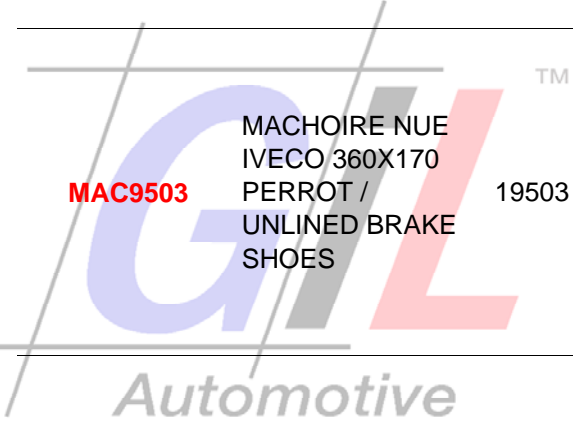


## ILLUSTRATIONS DRAWINGS





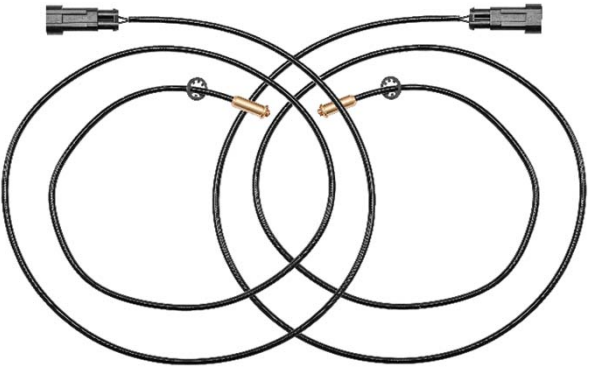
Reference	Designation	WVA	Illustration
<b>RES004</b>	RESSORT DE MACHOIRES RT / RETURN SPRING 245X33,5X5	19187; 19934; 19935	
<b>MAC9052</b>	MACHOIRE NUE DAF 420X175 / UNLINED BRAKE SHOES	19052; 19055	
<b>MAC9063/64</b>	MACHOIRE NUE DAF 420X200 / UNLINED BRAKE SHOES	19063; 19064	
<b>RES005</b>	RESSORT DE MACHOIRES DAF / RETURN SPRING 158X40X5,3	19010; 19052; 19063; 19069; 19900	
<b>APF004</b>	KIT REP. AXE POINT FIXE DAF/ BRAKE SHOES PIN SET	19010; 19052; 19063; 19069; 19900	
<b>ECF001</b>	ECARTEUR DAF IVECO PERROT 360X170 SIMPLEX / WEDGE BRAKE	19503	
<b>ECF002</b>	ECARTEUR IVECO PERROT 410X180 410X200 SIMPLEX / WEDGE BRAKE	19091; 19098	
<b>KRES007</b>	KIT RESSORT DE MACHOIRES IVECO PERROT / SPRING KIT	19503	

**ILLUSTRATIONS  
DRAWINGS**

Reference	Designation	WVA	Illustration
<b>W0548IV</b>	TEMOINS USURE IVECO PERROT / WEAR INDICATOR (L.: 560mm - 2 pieces)	19503	
<b>MAC9503</b>	MACHOIRE NUE IVECO 360X170 PERROT / UNLINED BRAKE SHOES	19503	
<b>MAC9503M</b>	MACHOIRE NUE IVECO 360X170 MERITOR / UNLINED BRAKE SHOES	19503	
<b>ACK020</b>	KIT RESSORT DE MACHOIRES IVECO MERITOR / SPRING KIT	19503	
<b>W0955IV</b>	TEMOINS USURE IVECO MERITOR / WEAR INDICATOR (L.: 955mm - 2 pieces)	19503; 19384	



ILLUSTRATIONS  
DRAWINGS

Reference	Designation	WVA	Illustration
<b>ACK012</b>	KIT COIN IVECO 360X170 MERITOR / WEDGE KIT	19503	
<b>MAC9099</b>	MACHOIRE NUE PERROT 410X182 / UNLINED BRAKE SHOES	19099; 19100	
<b>MAC9091/98</b>	MACHOIRE NUE PERROT 410X202 / UNLINED BRAKE SHOES	19091; 19098	
<b>KRES008</b>	KIT RESSORT DE MACHOIRES IVECO PERROT / SPRING KIT	19091; 19098; 19099; 19100	
<b>W1284IV</b>	TEMOIN USURE IVECO PERROT / WEAR INDICATOR (L.: 1284mm)	19091; 19098; 19099; 19100	

ILLUSTRATIONS  
DRAWINGS

Reference	Designation	WVA	Illustration
<b>CAC036</b>	KIT REGLAGE SIMPLIFIE/SIMPLIF IED FITTING KIT PERROT 410	19091; 19098; 19099; 19101	
<b>CAC037</b>	KIT REGLAGE SIMPLIFIE/SIMPLIF IED FITTING KIT PERROT 410	19091; 19098; 19099; 19102	
<b>CAC038</b>	KIT REGLAGE SIMPLIFIE/SIMPLIF IED FITTING KIT PERROT 410	19091; 19098; 19099; 19103	
<b>MAC9384D</b>	MACHOIRE NUE IVECO 381X178 MERITOR DUPLEX / UNLINED BRAKE SHOES	19384	





## ILLUSTRATIONS DRAWINGS

Reference	Designation	WVA	Illustration
<b>RES014</b>	RESSORT DE MACHOIRES IVECO / RETURN SPRING 215x24x3,5	19384	
<b>ACK002</b>	KIT MAINTIENS- IVECO / SPRING HOLD DOWN CLIP KIT	19384 <sup>TM</sup>	
<b>ACK009</b>	KIT DE REGLAGE COMPLET IVECO / WEDGE BRAKE REPAIR KIT (1 WHEEL)	19384	
<b>ACK011</b>	KIT COIN IVECO / WEDGE KIT	19384	



**ILLUSTRATIONS  
DRAWINGS**

Reference	Designation	WVA	Illustration
<b>ACK014</b>	KIT JOINT D'ETANCHEITE IVECO / SEAL REPAIR KIT	19384	
<b>ACK015</b>	KIT PLONGEUR D'ANCRAGE GAUCHE/ ANCHOR PLUNGER KIT LEFT	19384	
<b>ACK016</b>	KIT PLONGEUR D'ANCRAGE DROIT/ ANCHOR PLUNGER KIT RIGHT	19384	
<b>ACK019</b>	KIT REGLAGE SIMPLIFIE/SIMPLIF IED FITTING KIT FREIN DUPLEX	19384	
<b>MAC9495CAST</b>	MACHOIRE NUE MAN MERCEDES 410X183 + GALET / UNLINED BRAKE SHOES WITH ROLLER	19495	
<b>MAC9496CAST</b>	MACHOIRE NUE MAN MERCEDES 410X223 +GALET / UNLINED BRAKE SHOES WITH ROLLER	19496	



**ILLUSTRATIONS  
DRAWINGS**

Reference	Designation	WVA	Illustration
<b>W0195ME</b>	TEMOINS USURE MERCEDES (EX 98017000) / WEAR INDICATOR (L.: 120mm - 2 pieces)	15162; 17238; 17278; 17280; 17287; 17290; 19112; 19494; 19495; 19496; 19505; 19506; 19706; 19707; 19936; 19937;	
		15162; 17238; 17278; 17280; 17287; 17290; 19112; 19494; 19495; 19496; 19505; 19506; 19706; 19707; 19936; 19937;	
<b>W0205MA</b>	TEMOINS USURE MAN CO & +1MM/ WEAR INDICATOR (L.: 194mm - 2 pieces)	17238; 19495; 19496; 19713	
<b>MAC7991</b>		17991 413X127	
<b>MAC9931</b>	MACHOIRE NUE SCANIA+GALET /	19931 413X178	
<b>MAC9932</b>	UNLINED BRAKE SHOES +ROLLER	19932 413X203	
<b>MAC9933</b>		19933 413X254	

**ILLUSTRATIONS  
DRAWINGS**

Reference	Designation	WVA	Illustration
<b>KRG002</b>	KIT REP. GALET SCANIA/ ROLLER FITTING KIT	17991; 19931; 19932; 19933	
<b>RES006</b>	RESSORT DE MACHOIRES SCANIA / RETURN SPRING 262X24X4	17991; 19931; 19932; 19933	
<b>AC0039</b>	PION DE MAINTIEN SCANIA / ABUTMENT PIN	17991; 19931; 19932; 19933	
<b>MAC9974</b>	MACHOIRE NUE IRISBUS 414X200 / UNLINED BRAKE SHOES	19974	
<b>W0220ME</b>	TEMOINS USURE MERCEDES/ WEAR INDICATOR (L. : 220mm / 2 pieces)	11019; 11025; 11582; 11583; 13020; 13532; 13533; 15030; 15742; 15743	
<b>W0260ME</b>	TEMOINS USURE MERCEDES/ WEAR INDICATOR (L. : 260mm / 2 pieces)	15059; 15869; 15870; 17350; 17351; 17973; 17974; 17975; 17976	
<b>KRES009</b>	KIT RESSORT DE MACHOIRES IVECO STOPMASTER DUPLEX / SPRING KIT	19109; 19110; 19116; 19119	



## ILLUSTRATIONS DRAWINGS

Reference	Designation	WVA	Illustration
<b>ACK003</b>	KIT CLIP DE FIXATION MACHOIRES IVECO STOPMASTER / HOLD DOWN KIT	19109; 19110; 19116; 19119; 19553; 19554; 19555; 19556; 19714; 19715; 19716; 19717	
<b>W1310IV</b>	TEMOIN USURE IVECO ROCKWELL/ WEAR INDICATOR (L.: 1310mm 2 pieces)	19109; 19110; 19116; 19119	
<b>AC0023</b>	TÊTE DE REGLAGE / ADJUSTING BOLT	19109; 19110; 19116; 19119	
<b>AC0024</b>	MANCHON DE BOULON DE RÉGLAGE / ADJUSTING BOLT SLEEVE	19109; 19110; 19116; 19119	
<b>AC0025</b>	PLONGEUR D'ECARTEMENT GAUCHE / ANCHOR PLUNGER LEFT	19109; 19110; 19116; 19119	
<b>AC0026</b>	PLONGEUR D'ECARTEMENT DROIT / ANCHOR PLUNGER RIGHT	19109; 19110; 19116; 19119	






**ILLUSTRATIONS  
DRAWINGS**

Reference	Designation	WVA	Illustration
<b>AC0027</b>	AJUSTEMENT DU PLONGEUR D'ECARTEMENT / ADJUSTING PLUNGER	19109; 19110; 19116; 19119; 19553; 19554; 19555; 19556; 19714; 19715; 19716; 19717	
<b>AC0028</b>	JOINT DU PLONGEUR D'ECARTEMENT / SEAL - ANCHOR PLUNGER	19109; 19110; 19116; 19119	
<b>AC0029</b>	JOINT DE TÊTE DE RÉGLAGE / SEAL - ADJUSTER PLUNGER	19109; 19110; 19116; 19119; 19553; 19554; 19555; 19556; 19714; 19715; 19716; 19717	
<b>AC0030</b>	VIS GUIDE / GUIDE SCREW	19109; 19110; 19116; 19119	
<b>AC0031</b>	ENSEMBLE CLIQUET DE GUIDAGE / GUIDE PAWL ASSEMBLY	19109; 19110; 19116; 19119	
<b>AC0032</b>	COIN ASSEMBLE / WEDGE ASSEMBLY	19109; 19110; 19116; 19119; 19553; 19554; 19555; 19556; 19714; 19715; 19716; 19717	

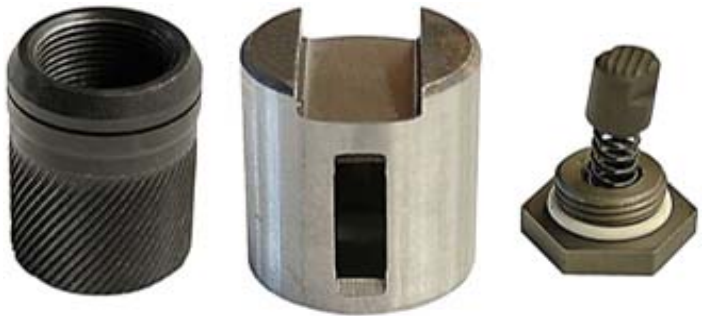



**ILLUSTRATIONS  
DRAWINGS**

Reference	Designation	WVA	Illustration
<b>ACK006</b>	KIT REGLAGE SIMPLIFIE/SIMPLIF IED FITTING KIT STOPMASTER DUPLEX 410	19109; 19110; 19116; 19119	
<b>KRES010</b>	KIT RESSORT DE MACHOIRES IVECO STOPMASTER SIMPLEX / SPRING KIT	19553; 19554; 19555; 19556; 19714; 19715; 19716; 19717	
<b>AC0034</b>	MANCHON DE BOULON DE RÉGLAGE / ADJUSTING BOLT SLEEVE	19553; 19554; 19555; 19556; 19714; 19715; 19716; 19717	
<b>AC0035</b>	ENSEMBLE CLIQUET DE GUIDAGE / GUIDE PAWL ASSEMBLY	19553; 19554; 19555; 19556; 19714; 19715; 19716; 19717	
<b>AC0036</b>	KIT PLONGEUR D'ANCRAGE GAUCHE/ ANCHOR PLUNGER KIT LEFT	19553; 19554; 19555; 19556; 19714; 19715; 19716; 19717	

## ILLUSTRATIONS DRAWINGS

Reference	Designation	WVA	Illustration
<b>AC0037</b>	KIT PLONGEUR D'ANCRAGE DROIT/ ANCHOR PLUNGER KIT RIGHT	19553; 19554; 19555; 19556; 19714; 19715; 19716; 19717	
<b>AC0038</b>	COIN-ASSEMBLE / WEDGE ASSEMBLY	19553; 19554; 19555; 19556; 19714; 19715; 19716; 19717	
<b>ACK005</b>	KIT REP ADJUSTEUR/FITTI NG KIT STOPMASTER SIMPLEX	19553; 19554; 19555; 19556; 19714; 19715; 19716; 19717	
<b>ACK006</b>	KIT REP ADJUSTEUR/FITTI NG KIT STOPMASTER DUPLEX	19109; 19110; 19116; 19119	

**ILLUSTRATIONS  
DRAWINGS**

Reference	Designation	WVA	Illustration
<b>ACK007</b>	KIT REP ADJUSTEUR SIMPLIFIE/SIMPLIF IED FITTING KIT STOPMASTER SIMPLEX	19553; 19554; 19555; 19556; 19714; 19715; 19716; 19717	
<b>ACK008</b>	KIT COIN/WEDGE KIT STOPMASTER SIMPLEX	19553; 19554; 19555; 19556; 19714; 19715; 19716; 19717	
<b>ACK013</b>	KIT COIN/WEDGE KITSTOPMASTER DUPLEX	19109; 19110; 19116; 19119	
<b>ECF003</b>	ECARTEUR GRUE PERROT SIMPLEX 410X180 500X120 500X160 / WEDGE BRAKE FOR MOBILE CRANE	19723; 19113; 17237; 17374; 19687; 19042	



ILLUSTRATIONS  
DRAWINGS

Reference	Designation	WVA	Illustration
-----------	-------------	-----	--------------

**ECF004**

ECARTEUR GRUE  
PERROT DUPLEX 19723;  
410X180 500X180/ 19113;  
WEDGE BRAKE 19690;  
FOR MOBILE 19041  
CRANE <sup>TM</sup>



**ECF005**

ECARTEUR GRUE 19723;  
KNOTT SIMPLEX 19113;  
410X180 500X120 17237;  
500X160 / WEDGE 17374;  
BRAKE FOR 19687;  
MOBILE CRANE 19042



**ECF006**

ECARTEUR GRUE  
KNOTT DUPLEX 19723;  
410X180 500X180/ 19113;  
WEDGE BRAKE 19690;  
FOR MOBILE 19041  
CRANE



ILLUSTRATIONS  
DRAWINGS

Reference	Designation	WVA	Illustration
-----------	-------------	-----	--------------

**KRES011**

KIT RESSORT DE  
MACHOIRES  
IVECO PERROT  
270X80 POUR 1  
FREIN / SPRING  
KIT FOR 1 BRAKE

15030

TM



**ECF007**

ECARTEUR  
AUTOMATIQUE  
IVECO MERCEDES  
PERROT 270X80 /  
AUTOMATIC  
ADJUSTER

15030

15039



**ECF010**

ECARTEUR FREIN  
COIN MERCEDES /  
WEDGE BRAKE

17278;  
17280;  
17287;  
17290;  
19505;  
19506



ILLUSTRATIONS  
DRAWINGS

Reference	Designation	WVA	Illustration
-----------	-------------	-----	--------------

**KRES015**

KIT RESSORT DE  
MACHOIRES MAN  
325X149,5 /  
SPRING KIT

17988

TM



**GIL**  
Automotive

## CORRESPONDANCE DES REFERENCES CROSS REFERENCE LIST

MARQUE	REF OES	REFERENCE
ABEX	AK2037159	1960470
ABEX	AK2041927	1960870
ABEX	AK2043170	1976270
ABEX	AK2308159	1990870
ABEX	AK2620929	1961370
ABEX	AK2622929	1955770
ABEX	AK2751173	1903070
ABEX	AK2858927	1903770
ABEX	AK2870929	1903270
ABEX	AK2871929	1928370
ABEX	AK2878929	1909470
ABEX	AK2879929	1947770
ABEX	AK2895159	1936970
ABEX	AK4620929	1961371
ABEX	AK4622929	1955771
ABEX	AK4858927	1903771
ABEX	AK4895159	1936971
ABEX	AK8870929	1903271
ABEX	AK8878929	1909471
ABEX	B2002	1957306
ABEX	B2008	1978610
ABEX	B2009	1982410
ABEX	B2029	1978611
ABEX	B2030	1516203
ABEX	B2031	1727806
ABEX	B2032	1728006
ABEX	B2033	1728705
ABEX	B2037	1960408
ABEX	B2037	1960400764
ABEX	B2041	1986201
ABEX	B2043	1976210
ABEX	B2043	1976200764
ABEX	B2044	1976000412
ABEX	B2045	1987701
ABEX	B2046	19880xx
ABEX	B2049	17897001541
ABEX	B2050	19125xx
ABEX	B2053	1990210
ABEX	B2053	1990200764
ABEX	B2061	1925501
ABEX	B2061	1925500764
ABEX	B2063	19306007000
ABEX	B2064	1729006
ABEX	B2066	1950607
ABEX	B2083	1956202
ABEX	B2084	1916602
ABEX	B2091	19684xx
ABEX	B2092	19685xx
ABEX	B2093	1970601

MARQUE	REF OES	REFERENCE
ABEX	B2094	1970701
ABEX	B2095	1979901
ABEX	B2096	1988501
ABEX	B2097	1949602
ABEX	B2097	1949600764
ABEX	B2105	1957427
ABEX	B2112	1779501
ABEX	B2143	19946xx
ABEX	B2148	1946703
ABEX	B2150	1799201
ABEX	B2152	1994102
ABEX	B2160	1723802
ABEX	B2161	1768202
ABEX	B2162	1773900934
ABEX	B2169	1969905
ABEX	B2170	1984906
ABEX	B2177	1766402
ABEX	B2179	1993402
ABEX	B2179	1993400764
ABEX	B2180	1993502
ABEX	B2180	1993500764
ABEX	B2181	19974xx
ABEX	B2182	1918702
ABEX	B2182	1918700764
ABEX	B2184	19634xx
ABEX	B2185	1974302
ABEX	B2202	1949402
ABEX	B2203	1949502
ABEX	B2203	1949500764
ABEX	B2208	1939302
ABEX	B2212	1956002
ABEX	B2302	1951512
ABEX	B2302	1951500764
ABEX	B2305	19543xx
ABEX	B2308	1990803
ABEX	B2308	1990800764
ABEX	B2309	1735700929
ABEX	B2311	1975803
ABEX	B2311	1975800764
ABEX	B2322	1587906
ABEX	B2323	1798806
ABEX	B2325	1971802
ABEX	B2338	1726301
ABEX	B2345	1926901
ABEX	B2354	1915002
ABEX	B2358	1991201
ABEX	B2366	1989208
ABEX	B2369	1925602
ABEX	B2409	1936605

Les correspondances de références ont pour seul objectif d'aider la recherche de référence

Cross references are there for the sole purpose of helping the reference search



## CORRESPONDANCE DES REFERENCES CROSS REFERENCE LIST

MARQUE	REF OES	REFERENCE
ABEX	B2420	17704xx
ABEX	B2481	1993201
ABEX	B2481	1993200764
ABEX	B2483	19618xx
ABEX	B2484	1961705
ABEX	B2487	1993301
ABEX	B2487	1993300764
ABEX	B2489	19896xx
ABEX	B2497	19680xx
ABEX	B2498	19682xx
ABEX	B2500	1716101
ABEX	B2501	1907502
ABEX	B2502	19359xx
ABEX	B2503	1920005
ABEX	B2506	19672xx
ABEX	B2509	1799101
ABEX	B2510	1993101
ABEX	B2510	1993100764
ABEX	B2541	19168xx
ABEX	B2620	1961313
ABEX	B2622	1955713
ABEX	B2675	19542003000
ABEX	B2676	1949200929
ABEX	B2677	1934302
ABEX	B2678	1934202
ABEX	B2679	1950505
ABEX	B2703	19905xx
ABEX	B2704	19887xx
ABEX	B2706	19820xx
ABEX	B2707	19306007000
ABEX	B2708	1928308
ABEX	B2709	1947706
ABEX	B2710	1992101
ABEX	B2711	1901005
ABEX	B2712	1905201
ABEX	B2713	1906303
ABEX	B2713	1906300764
ABEX	B2717	19745xx
ABEX	B2720	1701703
ABEX	B2721	1917705
ABEX	B2722	19825xx
ABEX	B2723	1951701
ABEX	B2724	19396001541
ABEX	B2725	19397xx
ABEX	B2726	1995201
ABEX	B2727	1956801
ABEX	B2728	17742xx
ABEX	B2729	1955800934
ABEX	B2730	19723001549

MARQUE	REF OES	REFERENCE
ABEX	B2731	1745605
ABEX	B2732	1964703
ABEX	B2733	17012xx
ABEX	B2734	1902401
ABEX	B2735	1971201
ABEX	B2736	1925100934
ABEX	B2737	1955301
ABEX	B2738	1955502
ABEX	B2739	1938414
ABEX	B2739	1938400764
ABEX	B2740	1911400734
ABEX	B2741	1971401
ABEX	B2741	1971400764
ABEX	B2742	1971613
ABEX	B2743	1947905
ABEX	B2744	1949005
ABEX	B2745	1991403
ABEX	B2746	1906901
ABEX	B2747	1992802
ABEX	B2748	19826xx
ABEX	B2749	1970803
ABEX	B2750	18014xx
ABEX	B2751	1903001
ABEX	B2752	1941001
ABEX	B2753	1997201
ABEX	B2754	1909002
ABEX	B2754	1909000764
ABEX	B2755	1907102
ABEX	B2755	1907100764
ABEX	B2756	1906802
ABEX	B2757	1909902
ABEX	B2758	1909102
ABEX	B2758	1909100764
ABEX	B2800	1996708
ABEX	B2822	1985502
ABEX	B2858	1903712
ABEX	B2869	1940600929
ABEX	B2870	1903230
ABEX	B2873	1903616
ABEX	B2878	1909437
ABEX	B2880	19338xx
ABEX	B2891	1936515
ABEX	B2894	1990002
ABEX	B2895	1936912
ABEX	B2896	1988802
ABEX	B2897	1989002
ABEX	B2898	1910902
ABEX	B2899	1911602
ABEX	B2899	1911600764

Les correspondances de références ont pour seul objectif d'aider la recherche de référence

Cross references are there for the sole purpose of helping the reference search

## CORRESPONDANCE DES REFERENCES CROSS REFERENCE LIST

MARQUE	REF OES	REFERENCE
ABEX	B2900	1919101
ABEX	B2901	1919201
ABEX	B4002	1957307
ABEX	B4009	19824xx
ABEX	B4029	1978612
ABEX	B4030	15162xx
ABEX	B4031	1727807
ABEX	B4032	1728007
ABEX	B4033	1728706
ABEX	B4037	1960409
ABEX	B4041	1986202
ABEX	B4043	1976211
ABEX	B4049	17897101541
ABEX	B4053	1990212
ABEX	B4061	1925502
ABEX	B4063	19306107000
ABEX	B4064	1729007
ABEX	B4066	1950608
ABEX	B4083	1956204
ABEX	B4093	1970618
ABEX	B4094	1970702
ABEX	B4095	1979902
ABEX	B4096	19885xx
ABEX	B4097	1949604
ABEX	B4105	1957428
ABEX	B4112	17795xx
ABEX	B4143	19946xx
ABEX	B4148	19467xx
ABEX	B4150	17992xx
ABEX	B4152	19941xx
ABEX	B4160	1723804
ABEX	B4161	17682xx
ABEX	B4169	1969906
ABEX	B4177	17664xx
ABEX	B4179	1993410
ABEX	B4180	1993514
ABEX	B4181	19974xx
ABEX	B4182	1918704
ABEX	B4184	19634xx
ABEX	B4185	19743xx
ABEX	B4202	1949404
ABEX	B4203	1949504
ABEX	B4208	1939304
ABEX	B4212	19560xx
ABEX	B4302	1951513
ABEX	B4305	1954300929
ABEX	B4308	1990804
ABEX	B4309	1735710929
ABEX	B4311	1975804

MARQUE	REF OES	REFERENCE
ABEX	B4322	1587907
ABEX	B4323	1798807
ABEX	B4325	19718xx
ABEX	B4345	19269xx
ABEX	B4354	19150xx
ABEX	B4358	1991202
ABEX	B4366	1989202
ABEX	B4369	19256xx
ABEX	B4409	1936607
ABEX	B4420	17704xx
ABEX	B4481	1993202
ABEX	B4487	1993307
ABEX	B4489	19896xx
ABEX	B4500	1716101
ABEX	B4501	19075xx
ABEX	B4503	19200xx
ABEX	B4506	19672xx
ABEX	B4509	17991xx
ABEX	B4510	1993102
ABEX	B4620	1961314
ABEX	B4622	1955714
ABEX	B4675	19542xx
ABEX	B4676	1949210929
ABEX	B4677	1934304
ABEX	B4678	19342xx
ABEX	B4679	1950506
ABEX	B4707	19306107000
ABEX	B4708	1928309
ABEX	B4709	1947707
ABEX	B4711	1901006
ABEX	B4712	19052xx
ABEX	B4713	1906304
ABEX	B4720	1701704
ABEX	B4721	19177xx
ABEX	B4726	1995202
ABEX	B4727	1956802
ABEX	B4728	17742xx
ABEX	B4729	1955810934
ABEX	B4731	1745606
ABEX	B4732	19647xx
ABEX	B4734	19024xx
ABEX	B4735	1971202
ABEX	B4737	19553xx
ABEX	B4739	1938415
ABEX	B4740	1911410734
ABEX	B4742	1971602
ABEX	B4744	19490xx
ABEX	B4751	1903002
ABEX	B4754	1909005

Les correspondances de références ont pour seul objectif d'aider la recherche de référence

Cross references are there for the sole purpose of helping the reference search

## CORRESPONDANCE DES REFERENCES CROSS REFERENCE LIST

MARQUE	REF OES	REFERENCE
ABEX	B4755	1907105
ABEX	B4756	1906805
ABEX	B4757	19099xx
ABEX	B4758	19091xx
ABEX	B4800	1996709
ABEX	B4858	1903713
ABEX	B4870	1903231
ABEX	B4873	1903617
ABEX	B4878	1909439
ABEX	B4880	19338xx
ABEX	B4891	1936513
ABEX	B4894	1990004
ABEX	B4895	1936913
ABEX	B4896	1988804
ABEX	B4897	1989004
ABEX	B4898	1910903
ABEX	B4899	19116xx
ABEX	B4900	1919102
ABEX	B4901	1919202
ABEX	B6097	1949605
ABEX	B6105	1957429
ABEX	B6202	1949405
ABEX	B6203	1949505
ABEX	B6708	1928310
ABEX	B6739	1938416
ABEX	B6741	1971403
ABEX	B6754	19071xx
ABEX	B6858	1903714
ABEX	B6878	1909440
ABEX	B6895	1936914
ABEX	FAI200	98016800
ABEX	FAI201	98016900
ABEX	FAI202	98017002
ABEX	FAI203	98017102
ABEX	FAI205	98023500
ABEX	FAI206	98023600
ABEX	FAI207	98032200
ABEX	FAI208	98032100
ABEX	J0300	17134xx
ABEX	J0301	17546xx
ABEX	J0302	19351xx
ABEX	J0303	17316xx
ABEX	J0305	1911101
ABEX	J0306	17557xx
ABEX	J0307	15789007000
ABEX	J0308	17555xx
ABEX	J0309	17560xx
ABEX	J0310	17662xx
ABEX	J0311	15562xx

MARQUE	REF OES	REFERENCE
ABEX	J0312	17556007000
ABEX	J0313	15837xx
ABEX	J0314	17934xx
ABEX	J0315	17932007000
ABEX	J0316	17477xx
ABEX	J0317	17713xx
ABEX	J0318	17229xx
ABEX	J0319	15794xx
ABEX	J0320	17854xx
ABEX	J1001	1101901
ABEX	J1002	1302001
ABEX	J1031	19182xx
ABEX	J1033	15057xx
ABEX	J1035	17105xx
ABEX	J1045	1709401
ABEX	J1046	17792xx
ABEX	J1048	1999600412
ABEX	J1049	19444xx
ABEX	J1050	1761200928
ABEX	J1051	1708802
ABEX	J1222	17497xx
ABEX	J1224	17307xx
ABEX	J1225	17805001549
ABEX	J1226	1962004
ABEX	J1227	1782704
ABEX	J1227	1782700764
ABEX	J1228	1782900929
ABEX	J1229	1783102
ABEX	J1229	1783100764
ABEX	J1232	1910301
ABEX	J1233	1776100934
ABEX	J1240	1740910
ABEX	J1241	17500xx
ABEX	J1243	17247xx
ABEX	J1248	1583101
ABEX	J1253	1573204
ABEX	J1287	1780400412
ABEX	J1288	1962200412
ABEX	J1293	1503002
ABEX	J1295	1904902
ABEX	J1296	1904902
ABEX	J1304	1729800298
ABEX	J1305	1727601
ABEX	J1306	1916001
ABEX	J1307	17869xx
ABEX	J1308	19694xx
ABEX	J1312	17309007000
ABEX	J1325	1946301
ABEX	J1326	19655xx

Les correspondances de références ont pour seul objectif d'aider la recherche de référence

Cross references are there for the sole purpose of helping the reference search

## CORRESPONDANCE DES REFERENCES CROSS REFERENCE LIST

MARQUE	REF OES	REFERENCE
ABEX	J1338	1991900928
ABEX	J1339	1946301
ABEX	J1345	1558008
ABEX	J1346	1740909
ABEX	J1348	17323xx
ABEX	J1350	17352003000
ABEX	J1351	19709003658
ABEX	J1356	19918xx
ABEX	J1357	15207xx
ABEX	J1358	15494xx
ABEX	J1359	1748206
ABEX	J1360	1581702
ABEX	J1361	1790007
ABEX	J1410	15698xx
ABEX	J1411	1788000928
ABEX	J1412	1982100929
ABEX	J1413	17879xx
ABEX	J1420	1346400412
ABEX	J1421	1792408
ABEX	J1482	13053001549
ABEX	J1510	1510400412
ABEX	J1511	1774400929
ABEX	J1512	1534906
ABEX	J1516	1740805
ABEX	J1517	1748107
ABEX	J1518	19072xx
ABEX	J1519	1528200928
ABEX	J1521	19544xx
ABEX	J1522	17592001541
ABEX	J1523	19401001561
ABEX	J1524	19405001541
ABEX	J1535	17885xx
ABEX	J1675	1950308
ABEX	J1675	1950300764
ABEX	J1678	19371xx
ABEX	J1679	1505900928
ABEX	J1680	1735003
ABEX	J1681	1735103
ABEX	J1682	15280xx
ABEX	J1684	1579900928
ABEX	J1685	1709601
ABEX	J1686	17362007222
ABEX	J1687	19700xx
ABEX	J2002	1302002
ABEX	J2031	19182xx
ABEX	J2045	17094xx
ABEX	J2046	17792xx
ABEX	J2051	1708804
ABEX	J2225	17805101549

MARQUE	REF OES	REFERENCE
ABEX	J2226	1962005
ABEX	J2227	1782705
ABEX	J2228	1782910929
ABEX	J2229	1783110928
ABEX	J2240	17409xx
ABEX	J2253	1573205
ABEX	J2287	1780400412
ABEX	J2288	1962210412
ABEX	J2293	1503003
ABEX	J2295	1904911
ABEX	J2296	1904911
ABEX	J2306	1916002
ABEX	J2307	17869xx
ABEX	J2308	19694xx
ABEX	J2312	17309107000
ABEX	J2325	1946301
ABEX	J2338	1991910928
ABEX	J2339	19463xx
ABEX	J2345	15580xx
ABEX	J2346	17409xx
ABEX	J2350	17352103000
ABEX	J2351	19709xx
ABEX	J2356	19918xx
ABEX	J2357	15207xx
ABEX	J2358	15494xx
ABEX	J2359	1748207
ABEX	J2361	17900xx
ABEX	J2411	1788010928
ABEX	J2412	1982110929
ABEX	J2413	17879xx
ABEX	J2421	1792409
ABEX	J2512	1534907
ABEX	J2516	1740806
ABEX	J2517	1748108
ABEX	J2518	19072xx
ABEX	J2521	19544xx
ABEX	J2535	17885xx
ABEX	J2675	1950307
ABEX	J2679	1505910928
ABEX	J2680	1735004
ABEX	J2681	1735104
ABEX	J3051	1708806
ABEX	J3253	1573206
ABEX	J3296	19049xx
ABEX	J3307	17869xx
ABEX	J3308	19694xx
ABEX	J3325	19463xx
ABEX	J3358	15494xx
ABEX	J3359	1748208

Les correspondances de références ont pour seul objectif d'aider la recherche de référence

Cross references are there for the sole purpose of helping the reference search



## CORRESPONDANCE DES REFERENCES CROSS REFERENCE LIST

MARQUE	REF OES	REFERENCE
ABEX	J3516	<b>1740807</b>
ABEX	J3517	<b>1748109</b>
ASTRA	115070	<b>TF1101</b>
ASTRA	127817	<b>TF1101</b>
BPW	0300093862	<b>1957307</b>
BPW	0300093863	<b>1957425</b>
BPW	300093863	<b>1957425</b>
BPW	0300099476	<b>1903230</b>
BPW	300099476	<b>1903234</b>
BPW	0309203040	<b>11280xx</b>
BPW	0309204010	<b>11478xx</b>
BPW	0309205060	<b>1108401</b>
BPW	309205060	<b>1108401</b>
BPW	0309205070	<b>11084xx</b>
BPW	0309205110	<b>11084xx</b>
BPW	0309205120	<b>1108401</b>
BPW	309205120	<b>1108401</b>
BPW	0309205170	<b>1108401</b>
BPW	309205170	<b>1108401</b>
BPW	0309208090	<b>11556xx</b>
BPW	0309208100	<b>11556xx</b>
BPW	0309211010	<b>15004xx</b>
BPW	0309211060	<b>1500401</b>
BPW	0309211070	<b>15004xx</b>
BPW	0309211080	<b>1500401</b>
BPW	0309211090	<b>1500401</b>
BPW	0309211110	<b>1500401</b>
BPW	0309211120	<b>1500401</b>
BPW	0309211170	<b>1500401</b>
BPW	0309211210	<b>1500401</b>
BPW	0309212010	<b>17183xx</b>
BPW	0309212500	<b>17347101541</b>
BPW	0309212510	<b>17347001541</b>
BPW	0309212520	<b>17347101541</b>
BPW	0309213010	<b>19102xx</b>
BPW	0309213020	<b>1910205</b>
BPW	0309213030	<b>1910205</b>
BPW	0309213050	<b>19396001541</b>
BPW	0309213090	<b>1957307</b>
BPW	0309213100	<b>1957306</b>
BPW	309213100	<b>1957306</b>
BPW	309213100	<b>1957308</b>
BPW	0309213190	<b>1957306</b>
BPW	309213190	<b>1957306</b>
BPW	309213190	<b>1957308</b>
BPW	0309213200	<b>1957307</b>
BPW	0309213300	<b>1957307</b>
BPW	0309213310	<b>1957306</b>
BPW	309213310	<b>1957306</b>

MARQUE	REF OES	REFERENCE
BPW	309213310	<b>1957308</b>
BPW	0309213320	<b>1957307</b>
BPW	0309213430	<b>1957307</b>
BPW	0309213440	<b>1957306</b>
BPW	309213440	<b>1957306</b>
BPW	309213440	<b>1957308</b>
BPW	0309213450	<b>1957307</b>
BPW	0309214020	<b>1910301</b>
BPW	0309214030	<b>1910301</b>
BPW	0309214040	<b>19397xx</b>
BPW	0309214080	<b>1957425</b>
BPW	309214080	<b>1957425</b>
BPW	0309214120	<b>1957422</b>
BPW	309214120	<b>1957422</b>
BPW	309214120	<b>1957427</b>
BPW	0309214130	<b>1957425</b>
BPW	309214130	<b>1957425</b>
BPW	309214130	<b>1957428</b>
BPW	0309214270	<b>1957422</b>
BPW	309214270	<b>1957422</b>
BPW	309214270	<b>1957427</b>
BPW	0309214280	<b>1957425</b>
BPW	309214280	<b>1957425</b>
BPW	309214280	<b>1957428</b>
BPW	0309214290	<b>1957424</b>
BPW	309214290	<b>1957424</b>
BPW	0309214310	<b>1957431</b>
BPW	309214310	<b>1957431</b>
BPW	0309214330	<b>1957422</b>
BPW	309214330	<b>1957422</b>
BPW	309214330	<b>1957427</b>
BPW	0309214340	<b>1957425</b>
BPW	309214340	<b>1957425</b>
BPW	309214340	<b>1957428</b>
BPW	0309214350	<b>1957424</b>
BPW	309214350	<b>1957424</b>
BPW	0309214360	<b>1957431</b>
BPW	309214360	<b>1957431</b>
BPW	0309214440	<b>1957422</b>
BPW	309214440	<b>1957422</b>
BPW	309214440	<b>1957427</b>
BPW	0309214450	<b>1957422</b>
BPW	309214450	<b>1957427</b>
BPW	0309214460	<b>1957425</b>
BPW	309214460	<b>1957425</b>
BPW	309214460	<b>1957428</b>
BPW	0309214470	<b>1957424</b>
BPW	309214470	<b>1957424</b>
BPW	0309218010	<b>15044xx</b>

Les correspondances de références ont pour seul objectif d'aider la recherche de référence

Cross references are there for the sole purpose of helping the reference search

## CORRESPONDANCE DES REFERENCES CROSS REFERENCE LIST

MARQUE	REF OES	REFERENCE
BPW	0309218050	1504401
BPW	0309218060	15044xx
BPW	0309218070	1504401
BPW	0309218120	1504401
BPW	0309219020	1990210
BPW	0309219020	1990200764
BPW	0309219030	1990210
BPW	0309219030	1990212
BPW	0309219030	1990200764
BPW	0309219080	1990210
BPW	0309219080	1990200764
BPW	0309219090	1990210
BPW	0309219090	1990200764
BPW	0309219200	1995201
BPW	309219200	1995201
BPW	0309219210	1995201
BPW	309219210	1995201
BPW	0309219220	1995201
BPW	309219220	1995201
BPW	0309219230	1995201
BPW	309219230	1995201
BPW	0309219240	1990210
BPW	0309219240	1990213
BPW	0309219240	1990200764
BPW	0309219250	1990210
BPW	0309219250	1990200764
BPW	0309219300	1990210
BPW	0309219300	1990212
BPW	0309219300	1990200764
BPW	0309219310	1990210
BPW	0309219310	1990212
BPW	0309219310	1990200764
BPW	0309219330	1990213
BPW	0309219460	1995202
BPW	0309219470	1995202
BPW	0309219520	1990210
BPW	0309219520	1990212
BPW	0309219520	1990200764
BPW	0309219530	1990210
BPW	0309219530	1990212
BPW	0309219530	1990200764
BPW	0309219540	1990210
BPW	0309219540	1990200764
BPW	0309219550	1990210
BPW	0309219550	1990200764
BPW	0309219560	1990212
BPW	0309219570	1990212
BPW	0309219590	1990213
BPW	0309219600	1995202

MARQUE	REF OES	REFERENCE
BPW	0309219610	1995202
BPW	0309219620	1995201
BPW	309219620	1995201
BPW	0309219630	1995201
BPW	309219630	1995201
BPW	0309219640	1995202
BPW	0309219650	1995202
BPW	0309219720	1995202
BPW	0309219730	1995202
BPW	0309219740	1990212
BPW	0309219880	1990210
BPW	0309219880	1990200764
BPW	0309220010	1524700929
BPW	0309220010	1524700929
BPW	0309220020	1524710929
BPW	0309220060	15147xx
BPW	0309220090	1524710929
BPW	0309220120	1524700929
BPW	0309220120	1524700929
BPW	0309220150	1524700929
BPW	0309220150	1524700929
BPW	0309221010	17122xx
BPW	0309222010	1711501
BPW	0309222010	17115001517
BPW	0309222030	1711502
BPW	0309222080	1700101
BPW	0309222090	1700102
BPW	0309222170	1700101
BPW	0309222180	1711501
BPW	0309222180	17115001517
BPW	0309222250	1711501
BPW	0309222250	17115001517
BPW	0309222350	1700101
BPW	0309223020	1919101
BPW	0309225010	1920005
BPW	0309225020	19200xx
BPW	0309225040	19200xx
BPW	0309225070	19093xx
BPW	0309225130	19200xx
BPW	0309225160	19200xx
BPW	0309225170	1920005
BPW	0309225350	1920005
BPW	0309225400	1920005
BPW	0309225410	19200xx
BPW	0309225470	1920005
BPW	0309225480	1920005
BPW	0309225490	19200xx
BPW	0309226010	1903230
BPW	0309226010	1903234

Les correspondances de références ont pour seul objectif d'aider la recherche de référence

Cross references are there for the sole purpose of helping the reference search

## CORRESPONDANCE DES REFERENCES CROSS REFERENCE LIST

MARQUE	REF OES	REFERENCE
BPW	0309226030	1903231
BPW	309226030	1903231
BPW	309226030	1903235
BPW	0309226040	1903232
BPW	0309226050	1903232
BPW	0309226060	1903230
BPW	0309226060	1903234
BPW	0309226080	1903231
BPW	309226080	1903231
BPW	309226080	1903235
BPW	0309226100	1903230
BPW	0309226100	1903234
BPW	0309226110	1903230
BPW	0309226110	1903234
BPW	0309226120	1903232
BPW	0309226210	1903230
BPW	0309226210	1903234
BPW	0309226250	1903230
BPW	0309226250	1903234
BPW	0309226260	1903230
BPW	0309226260	1903234
BPW	0309226310	1903231
BPW	309226310	1903231
BPW	309226310	1903235
BPW	0309226320	1903230
BPW	0309226320	1903234
BPW	0309226450	1903230
BPW	0309226450	1903234
BPW	0309226480	1903230
BPW	0309226480	1903234
BPW	0309226560	1903230
BPW	0309226560	1903234
BPW	0309226570	1903231
BPW	309226570	1903231
BPW	309226570	1903235
BPW	0309226580	1903232
BPW	0309226660	1903230
BPW	0309226660	1903234
BPW	0309226710	1903237
BPW	0309226760	1903230
BPW	0309226760	1903234
BPW	0309226770	1903231
BPW	309226770	1903231
BPW	309226770	1903235
BPW	0309226780	1903232
BPW	0309226790	1903231
BPW	309226790	1903231
BPW	309226790	1903235
BPW	0309226840	1903231

MARQUE	REF OES	REFERENCE
BPW	309226840	1903231
BPW	309226840	1903235
BPW	0309226850	1903230
BPW	0309226850	1903234
BPW	0309226860	1903231
BPW	309226860	1903231
BPW	309226860	1903235
BPW	0309226870	1903232
BPW	0309226890	1903231
BPW	309226890	1903231
BPW	309226890	1903235
BPW	0309226930	1903231
BPW	309226930	1903231
BPW	309226930	1903235
BPW	0309226980	1919101
BPW	0309227010	1909437
BPW	0309227010	1909442
BPW	0309227020	1909439
BPW	309227020	1909443
BPW	0309227030	1909440
BPW	309227030	1909444
BPW	0309227040	1909440
BPW	309227040	1909444
BPW	0309227050	1909439
BPW	309227050	1909443
BPW	0309227060	1909437
BPW	0309227060	1909442
BPW	0309227070	1909439
BPW	309227070	1909443
BPW	0309227150	1909437
BPW	0309227150	1909442
BPW	0309227180	1909437
BPW	0309227180	1909442
BPW	0309227190	1909437
BPW	0309227190	1909442
BPW	0309227220	1909439
BPW	309227220	1909443
BPW	0309227230	1909439
BPW	309227230	1909443
BPW	0309227240	1909437
BPW	0309227240	1909442
BPW	0309227260	1909437
BPW	0309227260	1909442
BPW	0309227430	1909437
BPW	0309227430	1909442
BPW	0309227450	1909437
BPW	0309227450	1909442
BPW	0309227530	1909437
BPW	0309227530	1909442

Les correspondances de références ont pour seul objectif d'aider la recherche de référence

Cross references are there for the sole purpose of helping the reference search

## CORRESPONDANCE DES REFERENCES CROSS REFERENCE LIST

MARQUE	REF OES	REFERENCE
BPW	0309227540	<b>1909439</b>
BPW	309227540	<b>1909443</b>
BPW	0309227550	<b>1909440</b>
BPW	309227550	<b>1909444</b>
BPW	0309227630	<b>1909439</b>
BPW	309227630	<b>1909443</b>
BPW	0309227650	<b>1909437</b>
BPW	0309227650	<b>1909442</b>
BPW	0309227710	<b>1909437</b>
BPW	0309227710	<b>1909442</b>
BPW	0309227720	<b>1909439</b>
BPW	309227720	<b>1909443</b>
BPW	0309227730	<b>1909440</b>
BPW	309227730	<b>1909444</b>
BPW	0309227740	<b>1909439</b>
BPW	309227740	<b>1909443</b>
BPW	0309227750	<b>1909437</b>
BPW	0309227750	<b>1909442</b>
BPW	0309227760	<b>1909437</b>
BPW	0309227760	<b>1909442</b>
BPW	0309227770	<b>1909439</b>
BPW	309227770	<b>1909443</b>
BPW	0309227780	<b>1909440</b>
BPW	309227780	<b>1909444</b>
BPW	0309227810	<b>1909439</b>
BPW	309227810	<b>1909443</b>
BPW	0309227900	<b>1919201</b>
BPW	0309227950	<b>1909437</b>
BPW	0309227950	<b>1909442</b>
BPW	0309228010	<b>1959112</b>
BPW	0309228020	<b>1959111</b>
BPW	309228020	<b>1959111</b>
BPW	0309228030	<b>1959112</b>
BPW	0309228210	<b>1959111</b>
BPW	309228210	<b>1959111</b>
BPW	0309228220	<b>1959112</b>
BPW	0309228280	<b>1959111</b>
BPW	309228280	<b>1959111</b>
BPW	0309228290	<b>1959112</b>
BPW	0309228310	<b>1959111</b>
BPW	309228310	<b>1959111</b>
BPW	0309228320	<b>1959111</b>
BPW	309228320	<b>1959111</b>
BPW	0309228330	<b>1959112</b>
BPW	0309229020	<b>1737707</b>
BPW	0309229030	<b>17492xx</b>
BPW	0309229080	<b>1737708</b>
BPW	0309229090	<b>17773xx</b>
BPW	0309229350	<b>1737707</b>

MARQUE	REF OES	REFERENCE
BPW	0309229360	<b>1737707</b>
BPW	0309229370	<b>1737708</b>
BPW	0309229390	<b>1737707</b>
BPW	0309229430	<b>1737707</b>
BPW	0309229440	<b>1737707</b>
BPW	0309229450	<b>1737708</b>
BPW	0309229490	<b>1737708</b>
BPW	0309229520	<b>1737707</b>
BPW	0309229530	<b>1737707</b>
BPW	0309229540	<b>1737708</b>
BPW	0309229560	<b>1737708</b>
BPW	0309229600	<b>1908101</b>
BPW	0309229610	<b>1908101</b>
BPW	0309229640	<b>1740501</b>
BPW	309229640	<b>1740501</b>
BPW	0309229650	<b>1740501</b>
BPW	309229650	<b>1740501</b>
BPW	0309230010	<b>19005xx</b>
BPW	0309235070	<b>17415xx</b>
BPW	0309235080	<b>19576xx</b>
BPW	0309235090	<b>19575xx</b>
BPW	0309235300	<b>19602001517</b>
BPW	0392279800	<b>1919201</b>
BPW	0509114800	<b>MAC9574BPV3</b>
BPW	0509115130	<b>MAC9573BPV3</b>
BPW	0509119340	<b>MAC9902</b>
BPW	0509126900	<b>1903230</b>
BPW	509126900	<b>1903234</b>
BPW	0509126950	<b>1903230</b>
BPW	509126950	<b>1903234</b>
BPW	0509127710	<b>1909437</b>
BPW	0509127710	<b>1909442</b>
BPW	0509127750	<b>1909437</b>
BPW	0509127750	<b>1909442</b>
BPW	0509127790	<b>1909437</b>
BPW	0509127790	<b>1909442</b>
BPW	0509127820	<b>1909470</b>
BPW	0509127830	<b>MAC9094BPEC095</b>
BPW	0509146090	<b>1903230</b>
BPW	509146090	<b>1903234</b>
BPW	0509146090	<b>1903270</b>
BPW	0509146140	<b>1903271</b>
BPW	0509146170	<b>MAC9032BPEC095</b>
BPW	0509146321	<b>1919101</b>
BPW	0980102400	<b>1957475</b>
BPW	0980102400	<b>1990270</b>
BPW	0980106790	<b>AC0046</b>
BPW	0980106800	<b>AC0045</b>
BPW	0980106810	<b>AC0044</b>

Les correspondances de références ont pour seul objectif d'aider la recherche de référence

Cross references are there for the sole purpose of helping the reference search



## CORRESPONDANCE DES REFERENCES CROSS REFERENCE LIST

MARQUE	REF OES	REFERENCE
BPW	0980107390	<b>1919101</b>
BPW	0980107410	<b>1919101</b>
BPW	0980107450	<b>1919201</b>
BPW	980107490	<b>1909471</b>
BPW	3057001310	<b>1909443</b>
BPW	3057001320	<b>1909444</b>
BPW	3057311210	<b>1903235</b>
BPW	3057311320	<b>1909444</b>
BPW	0509127830S	<b>1909472</b>
BPW	0509146170S	<b>1903272</b>
CARDI	18005204	<b>1909437</b>
CARDI	18005204	<b>1909442</b>
CLARK	4316431	<b>CAC038</b>
COLAERT ADR	734JB01	<b>57251001561</b>
COLAERT ADR	734KB01	<b>57250001561</b>
COLAERT ADR	734PA01	<b>59335001561</b>
COLAERT ADR	734VA01	<b>17016301561</b>
COLAERT ADR	9FC314-GUARN	<b>57248001561</b>
DAEWOO	Z366338122	<b>RES015</b>
DAF	70707	<b>1901001</b>
DAF	070707	<b>1901005</b>
DAF	70707	<b>1901005</b>
DAF	70708	<b>1901001</b>
DAF	070708	<b>1901005</b>
DAF	70708	<b>1901005</b>
DAF	075983	<b>TF1910</b>
DAF	0096242	<b>APF004</b>
DAF	0290377	<b>APF004</b>
DAF	0313741	<b>1783102</b>
DAF	313741	<b>1783102</b>
DAF	0313741	<b>1783100764</b>
DAF	313741	<b>1783100764</b>
DAF	0313742	<b>1783102</b>
DAF	313742	<b>1783102</b>
DAF	0313742	<b>1783100764</b>
DAF	313742	<b>1783100764</b>
DAF	0313743	<b>1782704</b>
DAF	313743	<b>1782704</b>
DAF	0313743	<b>1782700764</b>
DAF	313743	<b>1782700764</b>
DAF	0313744	<b>1782704</b>
DAF	313744	<b>1782704</b>
DAF	0313744	<b>1782700764</b>
DAF	313744	<b>1782700764</b>
DAF	0313745	<b>1962005</b>
DAF	313745	<b>1962005</b>
DAF	0313746	<b>1782704</b>
DAF	313746	<b>1782704</b>
DAF	0313746	<b>1962004</b>

MARQUE	REF OES	REFERENCE
DAF	0313746	<b>1782700764</b>
DAF	313746	<b>1782700764</b>
DAF	0360559	<b>TF1910</b>
DAF	0365579	<b>TF1910</b>
DAF	0389862	<b>RES005</b>
DAF	0391155	<b>MAC9052</b>
DAF	391155	<b>MAC9052</b>
DAF	391156	<b>MAC9063/64</b>
DAF	0391951	<b>1991403</b>
DAF	0593595	<b>APF004</b>
DAF	593595	<b>APF004</b>
DAF	0607360	<b>1782704</b>
DAF	0607360	<b>1782700764</b>
DAF	0607855	<b>1962004</b>
DAF	0607991	<b>CR0936</b>
DAF	0607992	<b>CR0937</b>
DAF	0607993	<b>CR0932</b>
DAF	0607994	<b>CR0933</b>
DAF	0608422	<b>CR0928</b>
DAF	0608423	<b>CR0929</b>
DAF	0608424	<b>CR0940</b>
DAF	0608425	<b>CR0941</b>
DAF	0608438	<b>1782704</b>
DAF	0608438	<b>1782700764</b>
DAF	0608505	<b>1782704</b>
DAF	0608505	<b>1782700764</b>
DAF	0680815	<b>1925602</b>
DAF	0680816	<b>1925602</b>
DAF	0680841	<b>1925602</b>
DAF	0680842	<b>1925602</b>
DAF	0680883	<b>1925602</b>
DAF	0681272	<b>1726301</b>
DAF	0681274	<b>1915002</b>
DAF	0681276	<b>1915002</b>
DAF	0681278	<b>1925602</b>
DAF	0681284	<b>1925602</b>
DAF	0681473	<b>1991403</b>
DAF	0681474	<b>1991403</b>
DAF	0681516	<b>1990002</b>
DAF	681516	<b>1990009</b>
DAF	0681518	<b>1990004</b>
DAF	0681535	<b>1991403</b>
DAF	0681536	<b>1991403</b>
DAF	0681539	<b>1991403</b>
DAF	0681540	<b>1991403</b>
DAF	0681788	<b>1915002</b>
DAF	0681790	<b>1925602</b>
DAF	0681979	<b>19306007000</b>
DAF	0682037	<b>1915002</b>

Les correspondances de références ont pour seul objectif d'aider la recherche de référence

Cross references are there for the sole purpose of helping the reference search

## CORRESPONDANCE DES REFERENCES CROSS REFERENCE LIST

MARQUE	REF OES	REFERENCE
DAF	0682083	<b>1991403</b>
DAF	0682087	<b>1991403</b>
DAF	0682089	<b>1991403</b>
DAF	0682092	<b>1988802</b>
DAF	0682096	<b>1988802</b>
DAF	0682098	<b>1988802</b>
DAF	0682101	<b>1989002</b>
DAF	0682101	<b>1989007</b>
DAF	0682102	<b>1989004</b>
DAF	0682105	<b>1989002</b>
DAF	0682105	<b>1989007</b>
DAF	0682106	<b>1989004</b>
DAF	0682107	<b>1989002</b>
DAF	0682107	<b>1989007</b>
DAF	0682108	<b>1990002</b>
DAF	0682108	<b>1990009</b>
DAF	0682109	<b>1990004</b>
DAF	0682110	<b>1990002</b>
DAF	0682110	<b>1990009</b>
DAF	0682114	<b>1990002</b>
DAF	0682114	<b>1990009</b>
DAF	0682116	<b>1990002</b>
DAF	0682116	<b>1990009</b>
DAF	0682416	<b>1901001</b>
DAF	0682416	<b>1901005</b>
DAF	0682417	<b>1901003</b>
DAF	0682417	<b>1901006</b>
DAF	0682418	<b>1901001</b>
DAF	0682418	<b>1901005</b>
DAF	0682419	<b>1901003</b>
DAF	0682419	<b>1901006</b>
DAF	0682421	<b>1905201</b>
DAF	0682426	<b>1906301</b>
DAF	0682426	<b>1906303</b>
DAF	0682426	<b>1906300764</b>
DAF	0682427	<b>1906302</b>
DAF	0682427	<b>1906304</b>
DAF	0682428	<b>1906302</b>
DAF	0682428	<b>1906304</b>
DAF	0682441	<b>1902401</b>
DAF	0682443	<b>1902401</b>
DAF	0682577	<b>19306107000</b>
DAF	0682806	<b>1726301</b>
DAF	0682807	<b>1915002</b>
DAF	0682808	<b>1915002</b>
DAF	0682809	<b>1925602</b>
DAF	0682831	<b>1906901</b>
DAF	0682833	<b>17383xx</b>
DAF	0682835	<b>17324xx</b>

MARQUE	REF OES	REFERENCE
DAF	0682837	<b>1726301</b>
DAF	0682839	<b>1915002</b>
DAF	0682841	<b>1925602</b>
DAF	0682843	<b>1961705</b>
DAF	0682845	<b>1990002</b>
DAF	0682845	<b>1990009</b>
DAF	0682846	<b>1990004</b>
DAF	0682847	<b>1988802</b>
DAF	0682848	<b>1988804</b>
DAF	0682849	<b>1989002</b>
DAF	0682849	<b>1989007</b>
DAF	0682850	<b>1989004</b>
DAF	0682851	<b>1991403</b>
DAF	0682852	<b>1991404</b>
DAF	0682853	<b>17012xx</b>
DAF	0682855	<b>1902401</b>
DAF	0682857	<b>1901001</b>
DAF	0682857	<b>1901005</b>
DAF	0682858	<b>1901003</b>
DAF	0682858	<b>1901006</b>
DAF	0682859	<b>1905201</b>
DAF	0682861	<b>1906301</b>
DAF	0682861	<b>1906303</b>
DAF	0682861	<b>1906300764</b>
DAF	0682862	<b>1906302</b>
DAF	0682862	<b>1906304</b>
DAF	0682863	<b>1906901</b>
DAF	0683007	<b>1906301</b>
DAF	0683007	<b>1906303</b>
DAF	0683007	<b>1906300764</b>
DAF	0683011	<b>1726301</b>
DAF	0683013	<b>1915002</b>
DAF	0683016	<b>1925602</b>
DAF	0683018	<b>1961705</b>
DAF	0683018	<b>19618xx</b>
DAF	0683021	<b>1990002</b>
DAF	0683021	<b>1990009</b>
DAF	0683022	<b>1990004</b>
DAF	0683023	<b>1988802</b>
DAF	0683024	<b>1988804</b>
DAF	0683025	<b>1989002</b>
DAF	0683025	<b>1989007</b>
DAF	0683026	<b>1989004</b>
DAF	0683027	<b>1991403</b>
DAF	0683028	<b>1991404</b>
DAF	0683029	<b>17012xx</b>
DAF	0683031	<b>1902401</b>
DAF	0683033	<b>1901001</b>
DAF	0683033	<b>1901005</b>

Les correspondances de références ont pour seul objectif d'aider la recherche de référence

Cross references are there for the sole purpose of helping the reference search

## CORRESPONDANCE DES REFERENCES CROSS REFERENCE LIST

MARQUE	REF OES	REFERENCE
DAF	0683034	<b>1901003</b>
DAF	0683034	<b>1901006</b>
DAF	0683035	<b>1905201</b>
DAF	0683037	<b>1906301</b>
DAF	0683037	<b>1906303</b>
DAF	0683037	<b>1906300764</b>
DAF	0683038	<b>1906302</b>
DAF	0683038	<b>1906304</b>
DAF	0683039	<b>1906901</b>
DAF	0683063	<b>17383xx</b>
DAF	0683065	<b>17324xx</b>
DAF	0683262	<b>1915002</b>
DAF	0683263	<b>1915002</b>
DAF	0683265	<b>1925602</b>
DAF	0683266	<b>1990002</b>
DAF	0683266	<b>1990009</b>
DAF	0683267	<b>1990004</b>
DAF	0683268	<b>1988802</b>
DAF	0683269	<b>1988804</b>
DAF	0683270	<b>1989002</b>
DAF	0683270	<b>1989007</b>
DAF	0683271	<b>1989004</b>
DAF	0683272	<b>1991403</b>
DAF	0683274	<b>1901001</b>
DAF	0683274	<b>1901005</b>
DAF	0683275	<b>1901003</b>
DAF	0683275	<b>1901006</b>
DAF	0683276	<b>1905201</b>
DAF	0683278	<b>1906301</b>
DAF	0683278	<b>1906303</b>
DAF	0683278	<b>1906300764</b>
DAF	0683279	<b>1906302</b>
DAF	0683279	<b>1906304</b>
DAF	0683280	<b>1906901</b>
DAF	0683313	<b>1961705</b>
DAF	0683317	<b>1902401</b>
DAF	0683390	<b>1726301</b>
DAF	0699152	<b>CR0928</b>
DAF	0699153	<b>CR0929</b>
DAF	0699154	<b>CR0932</b>
DAF	0699155	<b>CR0933</b>
DAF	0699156	<b>CR0940</b>
DAF	0699157	<b>CR0941</b>
DAF	699157	<b>CR0941</b>
DAF	0699158	<b>CR0936</b>
DAF	0699159	<b>CR0937</b>
DAF	702971	<b>1909437</b>
DAF	702971	<b>1909442</b>
DAF	0754397	<b>TF1910</b>

MARQUE	REF OES	REFERENCE
DAF	759704	<b>CR1003</b>
DAF	0867623	<b>ECF003</b>
DAF	867623	<b>ECF003</b>
DAF	1212994	<b>RES005</b>
DAF	1246531	<b>MAC9052</b>
DAF	1246532	<b>MAC9063/64</b>
DAF	1301490	<b>RES005</b>
DAF	1340297	<b>RES005</b>
DAF	1505365	<b>ECF001</b>
DAF	1505883	<b>CAC036</b>
DAF	1505884	<b>CAC037</b>
DAF	1505885	<b>CAC038</b>
DAF	1505891	<b>RES011</b>
DAF	1518418	<b>FCS011</b>
DAF	1518419	<b>FCS012</b>
DAF	1518452	<b>ECF002</b>
DAF	1518456	<b>ECF004</b>
DAF	1518483	<b>KRES008</b>
DAF	1518489	<b>1909178</b>
DAF	1522138	<b>1907102</b>
DAF	1522138	<b>1907109</b>
DAF	1522138	<b>1907100764</b>
DAF	1694347	<b>AC0009</b>
DAF	1694352	<b>AC0005</b>
DAF	1694353	<b>AC0006</b>
DAF	1694354	<b>AC0014</b>
DAF	1694355	<b>AC0007</b>
DAF	1694361	<b>1907180</b>
DAF	1694361	<b>MAC9071/2</b>
DAF	1694362	<b>AC0013</b>
DAF	1694363	<b>AC0016</b>
DAF	1694365	<b>AC0003</b>
DAF	1694366	<b>AC0004</b>
DAF	1694368	<b>AC0001</b>
DAF	1694372	<b>AC0015</b>
DAF	1694793	<b>AC0010</b>
DAF	1694794	<b>AC0011</b>
DAF	1696640	<b>CAM005</b>
DAF	1696641	<b>CAM006</b>
DAF	1696642	<b>CAM007</b>
DAF	1696643	<b>CAM008</b>
DAF	1785123	<b>1905201</b>
DAF	1785124	<b>1905201</b>
DAF	1785125	<b>1906301</b>
DAF	1785125	<b>1906303</b>
DAF	1785125	<b>1906300764</b>
DAF	1785126	<b>1906301</b>
DAF	1785126	<b>1906303</b>
DAF	1785126	<b>1906300764</b>

Les correspondances de références ont pour seul objectif d'aider la recherche de référence

Cross references are there for the sole purpose of helping the reference search

## CORRESPONDANCE DES REFERENCES CROSS REFERENCE LIST

MARQUE	REF OES	REFERENCE
DAF	1806639	<b>1906301</b>
DAF	1806639	<b>1906303</b>
DAF	1806639	<b>1906300764</b>
DAF	1808124	<b>1901001</b>
DAF	1808124	<b>1901005</b>
DAF	1808125	<b>1901003</b>
DAF	1808125	<b>1901006</b>
DAF	1808126	<b>1905201</b>
DAF	1808127	<b>1905201</b>
DAF	1808128	<b>1906302</b>
DAF	1808128	<b>1906304</b>
DAF	1808130	<b>1906901</b>
DAF	1808184	<b>1989004</b>
DAF	4501585	<b>TF1910</b>
DAF	91112875	<b>MF0503</b>
DAF	0681788T	<b>1915002</b>
DAF	0681790T	<b>1925602</b>
DAF	0682087T	<b>1991403</b>
DAF	0682839T	<b>1915002</b>
DAF	0682845T	<b>1990002</b>
DAF	0682845T	<b>1990009</b>
DAF	0682849T	<b>1989002</b>
DAF	0682849T	<b>1989007</b>
DAF	0682850T	<b>1989004</b>
DAF	1694364	<b>AC0002</b>
DAF	AMPA951	<b>1581702</b>
DAF	BB7847F8	<b>1581702</b>
DAF	FBU1069	<b>RES015</b>
DAF	FBU7687	<b>RES016</b>
DAF	FBU9121	<b>ECF001</b>
DAF	GWC1149	<b>CR1002</b>
DAF	RTC3624	<b>CR1002</b>
DAF	SR3157755	<b>MF0407</b>
DEMAG	40008412	<b>RES012</b>
DEMAG	40030412	<b>19687001549</b>
DEMAG	40030512	<b>19690001549</b>
DEMAG	40039712	<b>19041001549</b>
DEMAG	40076112	<b>19041001549</b>
DEMAG	40106112	<b>19042001549</b>
DEMAG	40106412	<b>19723001549</b>
DEMAG	40106612	<b>17374001549</b>
DEMAG	40108012	<b>19723001549</b>
DEMAG	76234073	<b>ECF004</b>
DEMAG	76234173	<b>ECF003</b>
DEMAG	95537700	<b>RES010</b>
DEMAG	96851600	<b>RES011</b>
DENNIS	6532515	<b>RES016</b>
DENNIS	6532516	<b>RES015</b>
DENNIS	6548129	<b>MAC9503</b>

MARQUE	REF OES	REFERENCE
DENNIS	65481213	<b>ECF001</b>
DENNIS	65481217	<b>CAC038</b>
DUPILLIER	09012301	<b>17897001541</b>
EVOBUS	0004210131	<b>1969905</b>
FAUN	8412197	<b>19687001549</b>
FAUN	99700916125	<b>RES010</b>
FAUN	99704921121	<b>19690001549</b>
FAUN	99704921123	<b>19687001549</b>
FAUN	99707007751	<b>19041001549</b>
FAUN	99707007754	<b>19042001549</b>
FAUN	99707303767	<b>ECF003</b>
FAUN	99707305564	<b>ECF004</b>
FAUN	99707306795	<b>RES012</b>
FAUN	99708412185	<b>RES011</b>
FERODO	FAI200	<b>98016800</b>
FERODO	FAI201	<b>98016900</b>
FERODO	FAI202	<b>98017002</b>
FERODO	FAI202	<b>W0195ME</b>
FERODO	FAI203	<b>98017102</b>
FERODO	FAI205	<b>98023500</b>
FERODO	FAI206	<b>98023600</b>
FERODO	FAI207	<b>98032200</b>
FERODO	FAI207	<b>W1310IV</b>
FERODO	FAI208	<b>98032100</b>
FERODO	FK00620.0	<b>1961370</b>
FERODO	FK00620.1	<b>1961371</b>
FERODO	FK00622.0	<b>1955770</b>
FERODO	FK00622.1	<b>1955771</b>
FERODO	FK19030.0	<b>1903070</b>
FERODO	FK19032.9	<b>1903270</b>
FERODO	FK19033.9	<b>1928370</b>
FERODO	FK19036.0	<b>1903770</b>
FERODO	FK19036.1	<b>1903771</b>
FERODO	FK19094.9	<b>1909470</b>
FERODO	FK19095.9	<b>1947770</b>
FERODO	FK19369.0	<b>1936970</b>
FERODO	FK19369.1	<b>1936971</b>
FERODO	FK19604.0	<b>1960470</b>
FERODO	FK19604.1	<b>1960471</b>
FERODO	FK19762.0	<b>1976270</b>
FERODO	FK19862.0	<b>1960870</b>
FERODO	FK19908.0	<b>1990870</b>
FERODO	FK19908.1	<b>1990871</b>
FERODO	FK89032.9	<b>1903271</b>
FERODO	FK89094.9	<b>1909471</b>
FERODO	K00235.0	<b>16070xx</b>
FERODO	K00351.0	<b>19709003658</b>
FERODO	K00351.1	<b>19709xx</b>
FERODO	K00392.0	<b>18014xx</b>

Les correspondances de références ont pour seul objectif d'aider la recherche de référence

Cross references are there for the sole purpose of helping the reference search



## CORRESPONDANCE DES REFERENCES CROSS REFERENCE LIST

MARQUE	REF OES	REFERENCE
FERODO	K00620.0	1961313
FERODO	K00620.1	1961314
FERODO	K00622.0	1955713
FERODO	K00622.1	1955714
FERODO	K00676.0	17372003653
FERODO	K0N305.0	16066xx
FERODO	K13532.0	1302001
FERODO	K15207.0	15207xx
FERODO	K15349.0	1534906
FERODO	K15349.1	1534907
FERODO	K15494.0	15494xx
FERODO	K15580.2	1558008
FERODO	K15580.3	15580xx
FERODO	K15698.0	15698xx
FERODO	K15732.0	1573204
FERODO	K15732.1	1573205
FERODO	K15742.0	1503002
FERODO	K15742.1	1503003
FERODO	K15817.0	1581702
FERODO	K15869.0	1505900928
FERODO	K15879.0	1587906
FERODO	K15879.1	1587907
FERODO	K17016.0	1700101
FERODO	K17016.1	1700102
FERODO	K17017.0	1701703
FERODO	K17017.1	1701704
FERODO	K17094.0	1709401
FERODO	K17096.0	1709601
FERODO	K17217.0	17217xx
FERODO	K17229.0	17229xx
FERODO	K17316.0	17316xx
FERODO	K17357.0	1735700929
FERODO	K17357.1	1735710929
FERODO	K17408.0	1740805
FERODO	K17408.1	1740806
FERODO	K17409.0	1740910
FERODO	K17409.2	1740909
FERODO	K17409.3	17409xx
FERODO	K17456.0	1745605
FERODO	K17481.0	1748107
FERODO	K17482.0	1748206
FERODO	K17497.0	17497xx
FERODO	K17546.0	17546xx
FERODO	K17555.0	17555xx
FERODO	K17557.0	17557xx
FERODO	K17635.0	1708802
FERODO	K17635.1	1708804
FERODO	K17688.0	17879xx
FERODO	K17792.0	17792xx

MARQUE	REF OES	REFERENCE
FERODO	K17804.1	1780400412
FERODO	K17827.0	1782704
FERODO	K17827.0	1782700764
FERODO	K17869.0	17869xx
FERODO	K17880.0	1788000928
FERODO	K17880.1	1788010928
FERODO	K17885.0	17885xx
FERODO	K17900.0	1790007
FERODO	K17924.0	1792408
FERODO	K17924.1	1792409
FERODO	K17928.3	1728006
FERODO	K17929.3	1728705
FERODO	K17932.0	17932007000
FERODO	K17942.0	17942xx
FERODO	K17973.0	1735003
FERODO	K17975.0	1735103
FERODO	K17988.0	1798806
FERODO	K17992.0	1799201
FERODO	K19010.0	1901005
FERODO	K19010.1	1901006
FERODO	K19024.0	1902401
FERODO	K19030.0	1903001
FERODO	K19032.0	1903230
FERODO	K19032.1	1903231
FERODO	K19032.2	19032xx
FERODO	K19036.0	1903712
FERODO	K19036.1	1903713
FERODO	K19037.0	1903616
FERODO	K19037.1	1903617
FERODO	K19049.0	1904902
FERODO	K19049.1	1904911
FERODO	K19052.0	1905201
FERODO	K19052.1	19052xx
FERODO	K19063.0	1906303
FERODO	K19063.0	1906300764
FERODO	K19063.1	1906304
FERODO	K19068.0	1906802
FERODO	K19068.1	1906805
FERODO	K19069.0	1906901
FERODO	K19071.0	1907102
FERODO	K19071.0	1907100764
FERODO	K19071.1	1907105
FERODO	K19075.0	1907502
FERODO	K19075.1	19075xx
FERODO	K19090.0	1909002
FERODO	K19090.0	1909000764
FERODO	K19090.1	1909005
FERODO	K19091.0	1909102
FERODO	K19091.0	1909100764

Les correspondances de références ont pour seul objectif d'aider la recherche de référence

Cross references are there for the sole purpose of helping the reference search

## CORRESPONDANCE DES REFERENCES CROSS REFERENCE LIST

MARQUE	REF OES	REFERENCE
FERODO	K19091.1	19091xx
FERODO	K19094.0	1909437
FERODO	K19094.1	1909439
FERODO	K19099.0	1909902
FERODO	K19099.1	19099xx
FERODO	K19109.0	1910902
FERODO	K19109.1	1910903
FERODO	K19116.0	1911602
FERODO	K19116.0	1911600764
FERODO	K19116.1	19116xx
FERODO	K19150.0	1915002
FERODO	K19150.1	19150xx
FERODO	K19177.0	1917705
FERODO	K19187.0	1918702
FERODO	K19187.0	1918700764
FERODO	K19187.1	1918704
FERODO	K19187.2	19187xx
FERODO	K19191.0	1919101
FERODO	K19191.1	1919102
FERODO	K19192.0	1919201
FERODO	K19192.1	1919202
FERODO	K19231.0	19306007000
FERODO	K19255.0	1925501
FERODO	K19255.0	1925500764
FERODO	K19255.1	1925502
FERODO	K19256.0	1925602
FERODO	K19262.0	1934202
FERODO	K19263.0	1934302
FERODO	K19263.1	1934304
FERODO	K19283.0	1928308
FERODO	K19283.1	1928309
FERODO	K19351.0	19351xx
FERODO	K19365.0	1936605
FERODO	K19365.1	1936607
FERODO	K19366.0	1936515
FERODO	K19366.1	1936513
FERODO	K19369.0	1936912
FERODO	K19369.0	1936970
FERODO	K19369.1	1936913
FERODO	K19369.2	1936914
FERODO	K19385.0	1938414
FERODO	K19385.0	1938400764
FERODO	K19385.1	1938415
FERODO	K19393.0	1939302
FERODO	K19393.1	1939304
FERODO	K19410.0	1941001
FERODO	K19477.0	1947706
FERODO	K19477.1	1947707
FERODO	K19480.0	1947905

MARQUE	REF OES	REFERENCE
FERODO	K19480.1	19479xx
FERODO	K19486.0	1949402
FERODO	K19486.1	1949404
FERODO	K19487.0	1949502
FERODO	K19487.0	1949500764
FERODO	K19487.1	1949504
FERODO	K19488.0	1949602
FERODO	K19488.0	1949600764
FERODO	K19488.1	1949604
FERODO	K19492.0	1949200929
FERODO	K19492.1	1949210929
FERODO	K19503.0	1950308
FERODO	K19503.0	1950300764
FERODO	K19503.1	1950307
FERODO	K19515.0	1951512
FERODO	K19515.0	1951500764
FERODO	K19542.0	19542003000
FERODO	K19542.1	19542xx
FERODO	K19553.0	1955301
FERODO	K19553.1	19553xx
FERODO	K19555.0	1955502
FERODO	K19555.1	19555xx
FERODO	K19562.0	1956202
FERODO	K19562.1	1956204
FERODO	K19573.0	1957306
FERODO	K19574.0	1957427
FERODO	K19579.0	1970601
FERODO	K19579.1	1970618
FERODO	K19581.0	1970701
FERODO	K19581.1	1970702
FERODO	K19604.0	1960408
FERODO	K19604.0	1960400764
FERODO	K19604.1	1960409
FERODO	K19617.0	19618xx
FERODO	K19620.0	1962004
FERODO	K19648.0	19648xx
FERODO	K19657.0	1946301
FERODO	K19657.1	19463xx
FERODO	K19694.0	19694xx
FERODO	K19700.0	19700xx
FERODO	K19708.0	1970803
FERODO	K19714.0	1971401
FERODO	K19714.0	1971400764
FERODO	K19714.2	1971403
FERODO	K19716.0	1971613
FERODO	K19716.1	1971602
FERODO	K19718.0	1971802
FERODO	K19758.0	1975803
FERODO	K19758.0	1975800764

Les correspondances de références ont pour seul objectif d'aider la recherche de référence

Cross references are there for the sole purpose of helping the reference search

## CORRESPONDANCE DES REFERENCES CROSS REFERENCE LIST

MARQUE	REF OES	REFERENCE
FERODO	K19762.0	<b>1976210</b>
FERODO	K19762.0	<b>1976200764</b>
FERODO	K19762.1	<b>1976211</b>
FERODO	K19799.0	<b>1979901</b>
FERODO	K19821.0	<b>1982100929</b>
FERODO	K19823.0	<b>1978611</b>
FERODO	K19824.0	<b>1982410</b>
FERODO	K19844.3	<b>1950607</b>
FERODO	K19844.4	<b>1950608</b>
FERODO	K19847.0	<b>1969905</b>
FERODO	K19858.0	<b>19858xx</b>
FERODO	K19862.0	<b>1986201</b>
FERODO	K19877.0	<b>1987701</b>
FERODO	K19879.0	<b>19880xx</b>
FERODO	K19890.0	<b>1989002</b>
FERODO	K19890.1	<b>1989004</b>
FERODO	K19892.0	<b>1989208</b>
FERODO	K19892.1	<b>1989202</b>
FERODO	K19896.0	<b>19896xx</b>
FERODO	K19896.1	<b>19896xx</b>
FERODO	K19900.0	<b>1990002</b>
FERODO	K19900.1	<b>1990004</b>
FERODO	K19902.0	<b>1990210</b>
FERODO	K19902.0	<b>1990200764</b>
FERODO	K19902.1	<b>1990212</b>
FERODO	K19908.0	<b>1990803</b>
FERODO	K19908.0	<b>1990800764</b>
FERODO	K19908.1	<b>1990804</b>
FERODO	K19912.0	<b>1991201</b>
FERODO	K19914.0	<b>1991403</b>
FERODO	K19918.0	<b>1922507</b>
FERODO	K19921.0	<b>1992101</b>
FERODO	K19928.0	<b>1992802</b>
FERODO	K19931.0	<b>1993101</b>
FERODO	K19931.0	<b>1993100764</b>
FERODO	K19931.1	<b>1993102</b>
FERODO	K19932.0	<b>1993201</b>
FERODO	K19932.0	<b>1993200764</b>
FERODO	K19932.1	<b>1993202</b>
FERODO	K19933.0	<b>1993301</b>
FERODO	K19933.0	<b>1993300764</b>
FERODO	K19933.1	<b>1993307</b>
FERODO	K19934.0	<b>1993402</b>
FERODO	K19934.0	<b>1993400764</b>
FERODO	K19934.1	<b>1993410</b>
FERODO	K19935.0	<b>1993502</b>
FERODO	K19935.0	<b>1993500764</b>
FERODO	K19935.1	<b>1993514</b>
FERODO	K19935.2	<b>19935xx</b>

MARQUE	REF OES	REFERENCE
FERODO	K19941.0	<b>1994102</b>
FERODO	K19941.1	<b>19941xx</b>
FERODO	K19952.0	<b>1995201</b>
FERODO	K19972.2	<b>1997201</b>
FORD	1560029	<b>CR1003</b>
FORD	1560032	<b>CR1002</b>
FORD	4055730	<b>CR0618</b>
FORD	70VB2261CB	<b>CR1003</b>
FORD	92VB2261CA	<b>CR0618</b>
FREIGHTLINER	TBBD6532515	<b>RES016</b>
FREIGHTLINER	TBBD6532516	<b>RES015</b>
FREIGHTLINER	TBBD65481213	<b>ECF001</b>
FREIGHTLINER	TBBD65481217	<b>CAC038</b>
GIGANT	07412033	<b>1579900928</b>
GIGANT	7802022	<b>1976207</b>
GIGANT	7802022	<b>1976210</b>
GIGANT	7802022	<b>1976200764</b>
GIGANT	7802041	<b>1976000412</b>
GIGANT	7802043	<b>17897001541</b>
GIGANT	8803050	<b>1976211</b>
GIGANT	8803051	<b>1976207</b>
GIGANT	8803051	<b>1976210</b>
GIGANT	8803051	<b>1976200764</b>
GIGANT	09012300	<b>1579900928</b>
GIGANT	09012301	<b>17897001541</b>
GIGANT	09012302	<b>1976000412</b>
GIGANT	9012303	<b>1976207</b>
GIGANT	09012303	<b>1976210</b>
GIGANT	9012303	<b>1976210</b>
GIGANT	09012303	<b>1976200764</b>
GIGANT	9012303	<b>1976200764</b>
GIGANT	09012304	<b>1991201</b>
GIGANT	9012304	<b>1991201</b>
GIGANT	09104100	<b>1579900928</b>
GIGANT	09104120	<b>17897001541</b>
GIGANT	09104130	<b>17897001541</b>
GIGANT	09104140	<b>1976000412</b>
GIGANT	9104160	<b>1976207</b>
GIGANT	09104160	<b>1976210</b>
GIGANT	9104160	<b>1976210</b>
GIGANT	09104160	<b>1976200764</b>
GIGANT	9104160	<b>1976200764</b>
GIGANT	9291036	<b>1990210</b>
GIGANT	9291036	<b>1990200764</b>
GIGANT	9291044	<b>17347001541</b>
GIGANT	9317084	<b>1957471</b>
GIGANT	9317087	<b>1990210</b>
GIGANT	9317087	<b>1990212</b>
GIGANT	9317087	<b>1990200764</b>

Les correspondances de références ont pour seul objectif d'aider la recherche de référence

Cross references are there for the sole purpose of helping the reference search

## CORRESPONDANCE DES REFERENCES CROSS REFERENCE LIST

MARQUE	REF OES	REFERENCE
GIGANT	9317168	<b>17347001541</b>
GIGANT	9317804	<b>1976270</b>
GIGANT	9317840	<b>1957471</b>
GROVE	1066769	<b>RES011</b>
GROVE	1201546	<b>RES010</b>
GROVE	2214701	<b>19690001549</b>
GROVE	2217654	<b>19687001549</b>
GROVE	2310563	<b>ECF003</b>
GROVE	2312231	<b>ECF004</b>
GROVE	3316914	<b>17374001549</b>
GROVE	3322113	<b>19041001549</b>
GROVE	3322117	<b>17374001549</b>
GROVE	03322163	<b>19687001549</b>
GROVE	3322163	<b>19687001549</b>
GROVE	3329898	<b>19113001549</b>
GROVE	9049991012	<b>19687001549</b>
GROVE	9049991254	<b>19723001549</b>
GROVE	9049991834	<b>19687001549</b>
HMC	583306A000	<b>ECF001</b>
IRIBUS	503469909	<b>RES002</b>
IRIBUS	503470050	<b>RES001</b>
IRISBUS	500359913	<b>FCS003</b>
IRISBUS	500359916	<b>FCS004</b>
IRISBUS	5001019218	<b>TF6802</b>
IRISBUS	5006015979	<b>1907180</b>
IRISBUS	5006018433	<b>CAM001</b>
IRISBUS	5006018434	<b>CAM002</b>
IRISBUS	5006018435	<b>AC0009</b>
IRISBUS	5006018436	<b>AC0012</b>
IRISBUS	5006018437	<b>AC0006</b>
IRISBUS	5006018438	<b>AC0005</b>
IRISBUS	5006018439	<b>AC0014</b>
IRISBUS	5006018440	<b>AC0007</b>
IRISBUS	5006018455	<b>AC0016</b>
IRISBUS	5006018456	<b>AC0002</b>
IRISBUS	5006018458	<b>AC0001</b>
IRISBUS	5006018471	<b>AC0015</b>
IRISBUS	5006018472	<b>AC0003</b>
IRISBUS	5006018473	<b>AC0004</b>
IRISBUS	5006018474	<b>AC0010</b>
IRISBUS	5006018475	<b>AC0011</b>
IRISBUS	5006018479	<b>AC0008</b>
IRISBUS	5006018480	<b>AC0013</b>
ISUZU	5878316920	<b>CVL32012000</b>
ISUZU	5878318010	<b>CVL31007500</b>
IVECO	00115654	<b>ECF002</b>
IVECO	116261	<b>CAC038</b>
IVECO	116262	<b>CAC037</b>
IVECO	118689	<b>CAC036</b>

MARQUE	REF OES	REFERENCE
IVECO	118690	<b>KRES008</b>
IVECO	123755	<b>FCS012</b>
IVECO	123756	<b>FCS011</b>
IVECO	00124950	<b>1909178</b>
IVECO	1267408	<b>17275xx</b>
IVECO	1543999	<b>MF0503</b>
IVECO	1901906	<b>1938414</b>
IVECO	1901906	<b>1938400764</b>
IVECO	1902185	<b>1938414</b>
IVECO	1902185	<b>1938400764</b>
IVECO	1902483	<b>1978610</b>
IVECO	1903250	<b>1709401</b>
IVECO	1903251	<b>17094xx</b>
IVECO	1903253	<b>17769xx</b>
IVECO	1903254	<b>1792408</b>
IVECO	1903255	<b>1792409</b>
IVECO	1903256	<b>1792409</b>
IVECO	1903257	<b>1740805</b>
IVECO	1903258	<b>1740806</b>
IVECO	1903259	<b>1573205</b>
IVECO	1903260	<b>1573206</b>
IVECO	1903261	<b>1708802</b>
IVECO	1903262	<b>1708804</b>
IVECO	1903263	<b>1708804</b>
IVECO	1903284	<b>1768800934</b>
IVECO	1903285	<b>1768810934</b>
IVECO	1903287	<b>1982100929</b>
IVECO	1903288	<b>19821xx</b>
IVECO	1903290	<b>17688xx</b>
IVECO	1903306	<b>1962004</b>
IVECO	1903315	<b>19153xx</b>
IVECO	1903333	<b>17300xx</b>
IVECO	1903334	<b>17300xx</b>
IVECO	1903342	<b>17275xx</b>
IVECO	1903359	<b>1978610</b>
IVECO	1903360	<b>1978612</b>
IVECO	1903378	<b>1962005</b>
IVECO	1903379	<b>1962005</b>
IVECO	1903382	<b>1962004</b>
IVECO	1903480	<b>1938414</b>
IVECO	1903480	<b>1938400764</b>
IVECO	1903481	<b>1938415</b>
IVECO	1903490	<b>1708804</b>
IVECO	1903491	<b>19224xx</b>
IVECO	1906000	<b>1922507</b>
IVECO	1906027	<b>1503002</b>
IVECO	1906028	<b>1503003</b>
IVECO	1906032	<b>1938478D</b>
IVECO	1906033	<b>1938415</b>

Les correspondances de références ont pour seul objectif d'aider la recherche de référence

Cross references are there for the sole purpose of helping the reference search



## CORRESPONDANCE DES REFERENCES CROSS REFERENCE LIST

MARQUE	REF OES	REFERENCE
IVECO	1906035	<b>1922508</b>
IVECO	1906041	<b>MF0503</b>
IVECO	1906055	<b>1792409</b>
IVECO	1906065	<b>1503002</b>
IVECO	1906066	<b>1503003</b>
IVECO	1906067	<b>1503003</b>
IVECO	1906068	<b>1792409</b>
IVECO	1906069	<b>1792410</b>
IVECO	1906076	<b>1708804</b>
IVECO	1906077	<b>1708806</b>
IVECO	1906083	<b>1962210412</b>
IVECO	1906085	<b>17275xx</b>
IVECO	1906087	<b>1978610</b>
IVECO	1906088	<b>1978612</b>
IVECO	1906100	<b>1962210412</b>
IVECO	1906103	<b>17269xx</b>
IVECO	1906105	<b>1982410</b>
IVECO	1906113	<b>1962004</b>
IVECO	1906115	<b>1962004</b>
IVECO	1906117	<b>1782704</b>
IVECO	1906117	<b>1782700764</b>
IVECO	1906124	<b>17269xx</b>
IVECO	1906132	<b>1768800934</b>
IVECO	1906136	<b>1783102</b>
IVECO	1906136	<b>1783100764</b>
IVECO	1906137	<b>1783110928</b>
IVECO	1906142	<b>1962005</b>
IVECO	1906143	<b>1962005</b>
IVECO	1906149	<b>1782705</b>
IVECO	1906150	<b>1962005</b>
IVECO	1906161	<b>17993xx</b>
IVECO	1906162	<b>17993xx</b>
IVECO	1906163	<b>17993xx</b>
IVECO	1906164	<b>1962200412</b>
IVECO	1906165	<b>1962200412</b>
IVECO	1906171	<b>MF0503</b>
IVECO	1906176	<b>1938414</b>
IVECO	1906176	<b>1938400764</b>
IVECO	1906177	<b>1938415</b>
IVECO	1906195	<b>1950378</b>
IVECO	1906197	<b>1709601</b>
IVECO	1906198	<b>17096xx</b>
IVECO	1906200	<b>1938414</b>
IVECO	1906200	<b>1938400764</b>
IVECO	1906203	<b>MF0525</b>
IVECO	1906221	<b>1950308</b>
IVECO	1906221	<b>1950300764</b>
IVECO	1906222	<b>1950307</b>
IVECO	1906223	<b>1950309</b>

MARQUE	REF OES	REFERENCE
IVECO	1906226	<b>1909978</b>
IVECO	1906227	<b>1909178</b>
IVECO	1906230	<b>1573205</b>
IVECO	1906232	<b>1573206</b>
IVECO	1906233	<b>1740805</b>
IVECO	1906235	<b>1740806</b>
IVECO	1906236	<b>1792408</b>
IVECO	1906237	<b>1708802</b>
IVECO	1906238	<b>17098xx</b>
IVECO	1906239	<b>17688xx</b>
IVECO	1906240	<b>1982100929</b>
IVECO	1906241	<b>1938415</b>
IVECO	1906244	<b>1978610</b>
IVECO	1906245	<b>1978612</b>
IVECO	1906247	<b>1982410</b>
IVECO	1906248	<b>19824xx</b>
IVECO	1906249	<b>1982410</b>
IVECO	1906261	<b>1938478D</b>
IVECO	1906265	<b>1792409</b>
IVECO	1906266	<b>1792410</b>
IVECO	1906267	<b>1708804</b>
IVECO	1906268	<b>1708804</b>
IVECO	1906269	<b>17688xx</b>
IVECO	1906273	<b>19821xx</b>
IVECO	1906301	<b>1709401</b>
IVECO	1906303	<b>17094xx</b>
IVECO	1906304	<b>17769xx</b>
IVECO	1906352	<b>MF0503</b>
IVECO	1906354	<b>1938478D</b>
IVECO	1906361	<b>1950378</b>
IVECO	1906362	<b>19153xx</b>
IVECO	1906363	<b>19153xx</b>
IVECO	1906368	<b>1971678</b>
IVECO	1906371	<b>1971401</b>
IVECO	1906371	<b>1971400764</b>
IVECO	1906372	<b>1971401</b>
IVECO	1906372	<b>1971400764</b>
IVECO	1906373	<b>1971403</b>
IVECO	1906374	<b>1971612</b>
IVECO	1906374	<b>1971600764</b>
IVECO	1906375	<b>1971613</b>
IVECO	1906377	<b>MF0525</b>
IVECO	1906380	<b>1503002</b>
IVECO	1906381	<b>1503003</b>
IVECO	1906382	<b>1503003</b>
IVECO	1906397	<b>1922507</b>
IVECO	1906398	<b>1922508</b>
IVECO	1906404	<b>1971478</b>
IVECO	1906407	<b>1971401</b>

Les correspondances de références ont pour seul objectif d'aider la recherche de référence

Cross references are there for the sole purpose of helping the reference search

## CORRESPONDANCE DES REFERENCES CROSS REFERENCE LIST

MARQUE	REF OES	REFERENCE
IVECO	1906407	<b>1971400764</b>
IVECO	1906408	<b>1971403</b>
IVECO	1906409	<b>1971403</b>
IVECO	1906410	<b>1971678</b>
IVECO	1906413	<b>1971612</b>
IVECO	1906413	<b>1971600764</b>
IVECO	1906414	<b>1971603</b>
IVECO	1906414	<b>1971614</b>
IVECO	1906431	<b>1971401</b>
IVECO	1906431	<b>1971400764</b>
IVECO	1906432	<b>1971612</b>
IVECO	1906432	<b>1971600764</b>
IVECO	1906470	<b>1938478D</b>
IVECO	1906473	<b>1938414</b>
IVECO	1906473	<b>1938400764</b>
IVECO	2966336	<b>17300xx</b>
IVECO	2966443	<b>19153xx</b>
IVECO	2966444	<b>19153xx</b>
IVECO	2966445	<b>19153xx</b>
IVECO	2966939	<b>17248xx</b>
IVECO	2966940	<b>17248xx</b>
IVECO	2967021	<b>17300xx</b>
IVECO	2983279	<b>CR0932</b>
IVECO	2983280	<b>CR0933</b>
IVECO	2983300	<b>CR0928</b>
IVECO	2983301	<b>CR0929</b>
IVECO	2983313	<b>CR0936</b>
IVECO	2983314	<b>CR0937</b>
IVECO	2983327	<b>CR0940</b>
IVECO	2983328	<b>CR0941</b>
IVECO	2991624	<b>1971478</b>
IVECO	2991627	<b>1971401</b>
IVECO	2991627	<b>1971400764</b>
IVECO	2991630	<b>1971678</b>
IVECO	2991755	<b>1909902</b>
IVECO	2991755	<b>1909978</b>
IVECO	2991756	<b>1909902</b>
IVECO	2991759	<b>1909178</b>
IVECO	2991760	<b>1909102</b>
IVECO	2991760	<b>1909100764</b>
IVECO	2991807	<b>1909102</b>
IVECO	2991807	<b>1909100764</b>
IVECO	2991896	<b>1971603</b>
IVECO	2991906	<b>1938414</b>
IVECO	2991906	<b>1938400764</b>
IVECO	2991907	<b>1938415</b>
IVECO	2991908	<b>1938416</b>
IVECO	2991914	<b>1971401</b>
IVECO	2991914	<b>1971400764</b>

MARQUE	REF OES	REFERENCE
IVECO	2991915	<b>1971403</b>
IVECO	2991918	<b>1909902</b>
IVECO	2991919	<b>1909902</b>
IVECO	2992005	<b>1909102</b>
IVECO	2992005	<b>1909100764</b>
IVECO	2992113	<b>1910902</b>
IVECO	2992120	<b>1911678</b>
IVECO	2992123	<b>1911678</b>
IVECO	2992124	<b>1911603</b>
IVECO	2992125	<b>1911602</b>
IVECO	2992125	<b>1911600764</b>
IVECO	2992375	<b>1910978</b>
IVECO	2992378	<b>1911678</b>
IVECO	2992530	<b>1950380M</b>
IVECO	2995821	<b>1910978NV</b>
IVECO	2995824	<b>1911678NV</b>
IVECO	2996480	<b>MF0525</b>
IVECO	2996501	<b>1911602</b>
IVECO	2996501	<b>1911600764</b>
IVECO	2996503	<b>1911602</b>
IVECO	2996503	<b>1911600764</b>
IVECO	2996507	<b>1910903</b>
IVECO	2997337	<b>CR1011</b>
IVECO	2997339	<b>CR1018</b>
IVECO	2997354	<b>CR0420</b>
IVECO	2997355	<b>CR1005</b>
IVECO	2997420	<b>CR1006</b>
IVECO	2997456	<b>CR1020</b>
IVECO	2997461	<b>CR1019</b>
IVECO	2997520	<b>CR1007</b>
IVECO	2997760	<b>1909102</b>
IVECO	2997760	<b>1909100764</b>
IVECO	3395088	<b>ACK008</b>
IVECO	3434793	<b>19153xx</b>
IVECO	3434795	<b>19153xx</b>
IVECO	4071472	<b>CR1012</b>
IVECO	4122369	<b>CR1010</b>
IVECO	4122669	<b>CR1010</b>
IVECO	4208738	<b>ECF007</b>
IVECO	4212449	<b>CR1014</b>
IVECO	4220639	<b>CR1016</b>
IVECO	4220643	<b>CR1011</b>
IVECO	4254725	<b>CR1023</b>
IVECO	4272449	<b>CR1014</b>
IVECO	4276036	<b>CR1015</b>
IVECO	4291534	<b>CR0620</b>
IVECO	4294681	<b>CR1018</b>
IVECO	4296247	<b>CR1017</b>
IVECO	4712856	<b>CR1019</b>

Les correspondances de références ont pour seul objectif d'aider la recherche de référence

Cross references are there for the sole purpose of helping the reference search

## CORRESPONDANCE DES REFERENCES CROSS REFERENCE LIST

MARQUE	REF OES	REFERENCE
IVECO	4727624	<b>CR1007</b>
IVECO	4727809	<b>CR1007</b>
IVECO	4744164	<b>CR1007</b>
IVECO	4819706	<b>ECF008</b>
IVECO	4837192	<b>CR0620</b>
IVECO	4846034	<b>FL3207</b>
IVECO	4846035	<b>FL3208</b>
IVECO	4860637	<b>FCD003</b>
IVECO	4860638	<b>FCD004</b>
IVECO	7160118	<b>17769xx</b>
IVECO	7160125	<b>17769xx</b>
IVECO	7160129	<b>1709401</b>
IVECO	7160132	<b>17094xx</b>
IVECO	7160138	<b>1740806</b>
IVECO	7160140	<b>1740806</b>
IVECO	7160141	<b>1740807</b>
IVECO	7160149	<b>1573205</b>
IVECO	7160151	<b>1573205</b>
IVECO	7160152	<b>1573206</b>
IVECO	7160154	<b>1573205</b>
IVECO	7160156	<b>1573205</b>
IVECO	7160157	<b>1573206</b>
IVECO	7160171	<b>1708802</b>
IVECO	7160173	<b>1708804</b>
IVECO	7160174	<b>1708806</b>
IVECO	7160175	<b>1708802</b>
IVECO	7160177	<b>1708804</b>
IVECO	7160178	<b>1708806</b>
IVECO	7162112	<b>TF0014</b>
IVECO	7165213	<b>CR1011</b>
IVECO	7165225	<b>1792408</b>
IVECO	7165227	<b>1792408</b>
IVECO	7165370	<b>FL3001</b>
IVECO	7165371	<b>FL3002</b>
IVECO	7165379	<b>TF0014</b>
IVECO	7165802	<b>CR1023</b>
IVECO	7165992	<b>1978612</b>
IVECO	7167704	<b>1792410</b>
IVECO	7167705	<b>1792409</b>
IVECO	7167707	<b>1792410</b>
IVECO	7169839	<b>19821xx</b>
IVECO	7170420	<b>ECF008</b>
IVECO	7183050	<b>TF1101</b>
IVECO	7910200	<b>TF0014</b>
IVECO	7980404	<b>ACK009</b>
IVECO	7980405	<b>ACK015</b>
IVECO	7980406	<b>ACK016</b>
IVECO	7980407	<b>ACK011</b>
IVECO	7980408	<b>ACK014</b>

MARQUE	REF OES	REFERENCE
IVECO	7980525	<b>CR1002</b>
IVECO	7980687	<b>ACK002</b>
IVECO	7984212	<b>CR1020</b>
IVECO	7984278	<b>CR0414</b>
IVECO	8121103	<b>CR1020</b>
IVECO	8121104	<b>CR0414</b>
IVECO	8121307	<b>RES016</b>
IVECO	8121308	<b>RES015</b>
IVECO	8121575	<b>CR1002</b>
IVECO	8121576	<b>CR1003</b>
IVECO	8123580	<b>CR0420</b>
IVECO	8123712	<b>ECF008</b>
IVECO	8124934	<b>KRES011</b>
IVECO	8190358	<b>ECF007</b>
IVECO	8193387	<b>CR1020</b>
IVECO	8193797	<b>CR0928</b>
IVECO	8193798	<b>CR0929</b>
IVECO	8193799	<b>CR0932</b>
IVECO	8193800	<b>CR0933</b>
IVECO	8193801	<b>CR0940</b>
IVECO	8193802	<b>CR0941</b>
IVECO	8193803	<b>CR0936</b>
IVECO	8193804	<b>CR0937</b>
IVECO	8194527	<b>CR0420</b>
IVECO	8559394	<b>1740805</b>
IVECO	9316176	<b>CAC036</b>
IVECO	9983470	<b>CR1002</b>
IVECO	9983471	<b>CR1003</b>
IVECO	9983871	<b>CR1003</b>
IVECO	41000936	<b>1955301</b>
IVECO	41022771	<b>FCS005</b>
IVECO	41022772	<b>FCS006</b>
IVECO	41022773	<b>FCS009</b>
IVECO	41022774	<b>FCS010</b>
IVECO	41025289	<b>FCS011</b>
IVECO	41025290	<b>FCS012</b>
IVECO	41025327	<b>FCS011</b>
IVECO	41025328	<b>FCS012</b>
IVECO	41032928	<b>FCS013</b>
IVECO	41032929	<b>FCS014</b>
IVECO	41211043	<b>FCD011</b>
IVECO	41211044	<b>FCD012</b>
IVECO	41211315	<b>FCD005</b>
IVECO	41211316	<b>FCD006</b>
IVECO	41211321	<b>FCD011</b>
IVECO	41211322	<b>FCD012</b>
IVECO	41285024	<b>1911678NV</b>
IVECO	41285034	<b>FCD011</b>
IVECO	41285035	<b>FCD012</b>

Les correspondances de références ont pour seul objectif d'aider la recherche de référence

Cross references are there for the sole purpose of helping the reference search

## CORRESPONDANCE DES REFERENCES CROSS REFERENCE LIST

MARQUE	REF OES	REFERENCE
IVECO	42101963	FCD013
IVECO	42101964	FCD014
IVECO	42480054	MAC9384D
IVECO	42480056	RES014
IVECO	42481446	1740806
IVECO	42482970	RES010
IVECO	42488204	ECF008
IVECO	42488947	MAC9384D
IVECO	42488955	MAC9384D
IVECO	42491897	1978610
IVECO	42491950	ACK009
IVECO	42491974	ACK019
IVECO	42492084	1938478D
IVECO	42499976	1573204
IVECO	42530550	W1284IV
IVECO	42531677	AC0029
IVECO	42532204	W0548IV
IVECO	42536144	W1310IV
IVECO	42536192	KRES009
IVECO	42536194	ACK013
IVECO	42536197	ACK006
IVECO	42537726	1910978NV
IVECO	42537727	1911678
IVECO	42537758	AC0023
IVECO	42537841	AC0028
IVECO	42537942	ACK012
IVECO	42538062	ACK021
IVECO	42538063	ACK020
IVECO	42538064	ACK004
IVECO	42538065	ACK010
IVECO	42538068	W0955IV
IVECO	42539437	W1310IV
IVECO	42539438	W0955IV
IVECO	42540290	AC0002
IVECO	42552777	W1310IV
IVECO	42552778	W0955IV
IVECO	42558429	ACK007
IVECO	42558430	ACK005
IVECO	42558432	ACK006
IVECO	42559512	ACK006
IVECO	42562830	ACK006
IVECO	60102882	CR0620
IVECO	93155720	CR0420
IVECO	93155721	CR1020
IVECO	93155722	CR0414
IVECO	93159002	CR1005
IVECO	93160540	CR1005
IVECO	93161254	CAC038
IVECO	93161255	CAC036

MARQUE	REF OES	REFERENCE
IVECO	93161256	CAC037
IVECO	93161353	ACK011
IVECO	93161621	ACK008
IVECO	93161622	ACK005
IVECO	93161623	ACK007
IVECO	93161626	ACK003
IVECO	93161627	KRES010
IVECO	93161768	CAC036
IVECO	93161863	AC0036
IVECO	93161864	AC0037
IVECO	93161872	KRES008
IVECO	93161954	KRES007
IVECO	93162113	KRES010
IVECO	93162114	ACK005
IVECO	93163355	ECF002
IVECO	93163525	ECF001
IVECO	93191114	98032100
IVECO	93191114	W1284IV
IVECO	93191115	W1284IV
IVECO	93192154	ECF008
IVECO	93192155	ECF007
IVECO	93192584	W0548IV
IVECO	93192921	98032200
IVECO	93192921	W1310IV
IVECO	93192922	AC0017
IVECO	93193778	KTU012
IVECO	98449332	FL3207
IVECO	98449334	FL3208
IVECO	98452387	CR1006
IVECO	98457219	FL3001
IVECO	98457220	FL3002
IVECO	98464849	FCD003
IVECO	98464850	FCD004
IVECO	98474483	FCS001
IVECO	98474485	FCS002
IVECO	99436612	FL3207
IVECO	99436613	FL3208
IVECO	174202018	CR0420
IVECO	500039974	CR1018
IVECO	500300073	FL3001
IVECO	500300075	FL3002
IVECO	500351600	FCS001
IVECO	500351601	FCS002
IVECO	503471009	MF0525
IVECO	503474998	ECF007
IVECO	503527498	TF6802
IVECO	503532556	ACK014
IVECO	503532557	ACK016
IVECO	503532558	ACK015

Les correspondances de références ont pour seul objectif d'aider la recherche de référence

Cross references are there for the sole purpose of helping the reference search



## CORRESPONDANCE DES REFERENCES CROSS REFERENCE LIST

MARQUE	REF OES	REFERENCE
IVECO	5006016891	<b>W0548IV</b>
IVECO	5021170006	<b>W1284IV</b>
KÄSSBOHRER	8241016237	<b>1909437</b>
KÄSSBOHRER	8241016237	<b>1909442</b>
KÄSSBOHRER	8241999325	<b>1909437</b>
KÄSSBOHRER	8241999325	<b>1909442</b>
KÄSSBOHRER	8241999326	<b>1909439</b>
KÄSSBOHRER	8241999326	<b>1909443</b>
KÄSSBOHRER	8241999328	<b>1903230</b>
KÄSSBOHRER	8241999329	<b>1903231</b>
KÄSSBOHRER	8241999329	<b>1903235</b>
KÄSSBOHRER	8241999686	<b>1957422</b>
KÄSSBOHRER	8241999686	<b>1957427</b>
KÄSSBOHRER	8241999721	<b>1995201</b>
KÄSSBOHRER	8241999722	<b>1995201</b>
KÄSSBOHRER	8241999733	<b>1903230</b>
KÄSSBOHRER	8241999733	<b>1903234</b>
KÄSSBOHRER	8241999734	<b>1903231</b>
KÄSSBOHRER	8241999734	<b>1903235</b>
KÄSSBOHRER	8241999735	<b>1909437</b>
KÄSSBOHRER	8241999735	<b>1909442</b>
KÄSSBOHRER	8241999736	<b>1909439</b>
KÄSSBOHRER	8241999736	<b>1909443</b>
KÄSSBOHRER	8241999923	<b>1903232</b>
KÄSSBOHRER	8241999925	<b>1909440</b>
KÄSSBOHRER	8241999925	<b>1909444</b>
KÄSSBOHRER	8282000491	<b>1740805</b>
KÄSSBOHRER	8282000539	<b>1740806</b>
KÄSSBOHRER	8283000156	<b>1711501</b>
KÄSSBOHRER	8283000649	<b>1974302</b>
KÄSSBOHRER	8283000651	<b>1974302</b>
KÄSSBOHRER	8283000769	<b>1916602</b>
KÄSSBOHRER	8283000770	<b>1916602</b>
KÄSSBOHRER	8285000064	<b>1956801</b>
KÄSSBOHRER	8285000147	<b>1956802</b>
KÄSSBOHRER	8285000227	<b>1916602</b>
KÄSSBOHRER	8285000228	<b>1916602</b>
KÄSSBOHRER	8285000241	<b>1916603</b>
KÄSSBOHRER	8285000242	<b>1916603</b>
KÄSSBOHRER	8285066060	<b>1969901</b>
KÄSSBOHRER	8285066060	<b>1969903</b>
KÄSSBOHRER	8285066060	<b>1969905</b>
KÄSSBOHRER	8285079349	<b>1774200934</b>
KÄSSBOHRER	8285079350	<b>1774200934</b>
KÄSSBOHRER	8285194122	<b>1774200934</b>
KÄSSBOHRER	8285196110	<b>1984906</b>
KÄSSBOHRER	8285196111	<b>1984906</b>
KÄSSBOHRER	8285196112	<b>19849xx</b>
KÄSSBOHRER	8285196113	<b>19849xx</b>

MARQUE	REF OES	REFERENCE
KÄSSBOHRER	8285200114	<b>1969901</b>
KÄSSBOHRER	8285200114	<b>1969903</b>
KÄSSBOHRER	8285200114	<b>1969905</b>
KÄSSBOHRER	8285200115	<b>1969901</b>
KÄSSBOHRER	8285200115	<b>1969903</b>
KÄSSBOHRER	8285200115	<b>1969905</b>
KÄSSBOHRER	8285200116	<b>1969901</b>
KÄSSBOHRER	8285200116	<b>1969903</b>
KÄSSBOHRER	8285200116	<b>1969905</b>
KÄSSBOHRER	8285200117	<b>1969902</b>
KÄSSBOHRER	8285200117	<b>1969906</b>
KÄSSBOHRER	8285200118	<b>1969902</b>
KÄSSBOHRER	8285200118	<b>1969906</b>
KÄSSBOHRER	8285232219	<b>1984906</b>
KÄSSBOHRER	8285232220	<b>19849xx</b>
KÄSSBOHRER	8285232221	<b>1984906</b>
KÄSSBOHRER	8285232222	<b>19849xx</b>
KÄSSBOHRER	8285232314	<b>19849xx</b>
KÄSSBOHRER	8285232315	<b>19849xx</b>
KÄSSBOHRER	8285232523	<b>1969901</b>
KÄSSBOHRER	8285232523	<b>1969903</b>
KÄSSBOHRER	8285232523	<b>1969905</b>
KÄSSBOHRER	8285236223	<b>1969901</b>
KÄSSBOHRER	8285236223	<b>1969903</b>
KÄSSBOHRER	8285236223	<b>1969905</b>
KÄSSBOHRER	8285236224	<b>1969902</b>
KÄSSBOHRER	8285236224	<b>1969906</b>
KÄSSBOHRER	8285236225	<b>1969901</b>
KÄSSBOHRER	8285236225	<b>1969903</b>
KÄSSBOHRER	8285236225	<b>1969905</b>
KÄSSBOHRER	8285236226	<b>1969902</b>
KÄSSBOHRER	8285236226	<b>1969906</b>
KÄSSBOHRER	8285236312	<b>1969902</b>
KÄSSBOHRER	8285236312	<b>1969906</b>
KÄSSBOHRER	8285236313	<b>1969902</b>
KÄSSBOHRER	8285236313	<b>1969906</b>
KÄSSBOHRER	8285345369	<b>1969901</b>
KÄSSBOHRER	8285345369	<b>1969903</b>
KÄSSBOHRER	8285345369	<b>1969905</b>
KÄSSBOHRER	8285345370	<b>1969901</b>
KÄSSBOHRER	8285345370	<b>1969903</b>
KÄSSBOHRER	8285345370	<b>1969905</b>
KÄSSBOHRER	8285348407	<b>1985502</b>
KÄSSBOHRER	8285348408	<b>1985502</b>
KÄSSBOHRER	8285348409	<b>19855xx</b>
KÄSSBOHRER	8285348410	<b>19855xx</b>
KÄSSBOHRER	8285350373	<b>1984906</b>
KÄSSBOHRER	8285350374	<b>1984906</b>
KÄSSBOHRER	8285360355	<b>1774200934</b>

Les correspondances de références ont pour seul objectif d'aider la recherche de référence

Cross references are there for the sole purpose of helping the reference search

## CORRESPONDANCE DES REFERENCES CROSS REFERENCE LIST

MARQUE	REF OES	REFERENCE
KÄSSBOHRER	8285364377	<b>1984906</b>
KÄSSBOHRER	8285364378	<b>1984906</b>
KÄSSBOHRER	8285364379	<b>19849xx</b>
KÄSSBOHRER	8285364380	<b>19849xx</b>
KÄSSBOHRER	8285368361	<b>1969901</b>
KÄSSBOHRER	8285368361	<b>1969903</b>
KÄSSBOHRER	8285368361	<b>1969905</b>
KÄSSBOHRER	8285368362	<b>1969901</b>
KÄSSBOHRER	8285368362	<b>1969903</b>
KÄSSBOHRER	8285368362	<b>1969905</b>
KÄSSBOHRER	8285368363	<b>1969902</b>
KÄSSBOHRER	8285368363	<b>1969906</b>
KÄSSBOHRER	8285368364	<b>1969902</b>
KÄSSBOHRER	8285368364	<b>1969906</b>
KÄSSBOHRER	82820007250	<b>RES010</b>
KÄSSBOHRER	82820009610	<b>1740806</b>
KÄSSBOHRER	82820009700	<b>1740805</b>
KÄSSBOHRER	82820009780	<b>1740805</b>
KÄSSBOHRER	82852325220	<b>1969902</b>
KÄSSBOHRER	82852325220	<b>1969906</b>
KÄSSBOHRER	82855066040	<b>1969902</b>
KÄSSBOHRER	82855066040	<b>1969906</b>
KÄSSBOHRER	82855086030	<b>1969902</b>
KÄSSBOHRER	82855086030	<b>1969906</b>
KESSLER	10070501	<b>19113001549</b>
KIA	AA84J33751	<b>RES016</b>
KIA	AA84J33761	<b>RES015</b>
KIA	AA84J33850	<b>ECF001</b>
KNOTT	24500	<b>ECF005</b>
KNOTT	24501	<b>ECF006</b>
KNOTT	31894	<b>13016xx</b>
KNOTT	32339	<b>11287xx</b>
KNOTT	35023	<b>11556xx</b>
KNOTT	44692	<b>11037xx</b>
KNOTT	356501	<b>15839xx</b>
KNOTT	3214601	<b>15304xx</b>
KNOTT	3441517	<b>1971201</b>
KNOTT	6435296	<b>13013xx</b>
KNOTT	104674002	<b>ECF005</b>
KNOTT	104674003	<b>ECF006</b>
KNOTT	104674.002	<b>ECF005</b>
KNOTT	104674.003	<b>ECF006</b>
KNOTT	31894S02	<b>13016xx</b>
KNOTT	32339S02	<b>11287xx</b>
KNOTT	34545S02	<b>15046xx</b>
KNOTT	35131S02	<b>13016xx</b>
KNOTT	35224S02	<b>11637xx</b>
KNOTT	35962S02	<b>11037xx</b>
KOGEL	189242	<b>ECF002</b>

MARQUE	REF OES	REFERENCE
KOGEL	336676	<b>CAC038</b>
KOGEL	339456	<b>KRES008</b>
KOGEL	342342	<b>CAC037</b>
KOGEL	342820	<b>W1284IV</b>
KOGEL	1892420	<b>ECF002</b>
KOGEL	6500703	<b>1909978</b>
KOGEL	8009190	<b>CAC036</b>
KRUPP	1070495	<b>19687001549</b>
LEYLAND DAF	AMPB017	<b>1950308</b>
LEYLAND DAF	AMPB017	<b>1950300764</b>
LEYLAND DAF	AMPB018	<b>1950308</b>
LEYLAND DAF	AMPB018	<b>1950300764</b>
LEYLAND DAF	AMPB288	<b>1790006</b>
LEYLAND DAF	AMPB288	<b>1790007</b>
LEYLAND DAF	AMPB289	<b>1581702</b>
LEYLAND DAF	AMPB294	<b>1581702</b>
LEYLAND DAF	AMPB295	<b>1790006</b>
LEYLAND DAF	AMPB295	<b>1790007</b>
LEYLAND DAF	FBU7499	<b>CAC038</b>
LIEBHERR	502209108	<b>17237001549</b>
LIEBHERR	530050008	<b>19687001549</b>
LIEBHERR	571632408	<b>19041001549</b>
LIEBHERR	571633208	<b>17374001549</b>
LIEBHERR	571644808	<b>19042001549</b>
LIEBHERR	571739308	<b>19041001549</b>
LIEBHERR	571740708	<b>19042001549</b>
LIEBHERR	571740808	<b>19042001549</b>
LIEBHERR	571833908	<b>19723001549</b>
LIEBHERR	571838208	<b>17374001549</b>
LIEBHERR	571371008G	<b>ECF004</b>
MAGIRUS	42481444	<b>1740805</b>
MAGIRUS	42481445	<b>1740805</b>
MAGIRUS	42481446	<b>1740806</b>
MAGIRUS	2560503E510712	<b>1740805</b>
MAGIRUS	2966745E510712	<b>1740806</b>
MAN	4230530	<b>1949611</b>
MAN	42111530	<b>1949511</b>
MAN	8140740601	<b>ACK022</b>
MAN	36504556002	<b>ECF003</b>
MAN	64501100001	<b>TF2051</b>
MAN	64501100002	<b>TF2048</b>
MAN	81259370021	<b>98023500</b>
MAN	81259370022	<b>98023600</b>
MAN	81259370026	<b>98023500</b>
MAN	81259370026	<b>W0205MA</b>
MAN	81259370027	<b>98023600</b>
MAN	81259370028	<b>98023500</b>
MAN	81259370029	<b>98023600</b>
MAN	81259370031	<b>98023600</b>

Les correspondances de références ont pour seul objectif d'aider la recherche de référence

Cross references are there for the sole purpose of helping the reference search

## CORRESPONDANCE DES REFERENCES CROSS REFERENCE LIST

MARQUE	REF OES	REFERENCE
MAN	81259370032	<b>98023500</b>
MAN	81259370033	<b>98023500</b>
MAN	81259370034	<b>98023600</b>
MAN	81259376011	<b>98023500</b>
MAN	81259376011	<b>W0205MA</b>
MAN	81259376012	<b>98023600</b>
MAN	81259376021	<b>98023500</b>
MAN	81500006230	<b>ECF009</b>
MAN	81500006242	<b>ECF009</b>
MAN	81501100104	<b>TF2048</b>
MAN	81501100107	<b>TF2048</b>
MAN	81501100144	<b>TF2048</b>
MAN	81501100200	<b>TF2048</b>
MAN	81501100214	<b>TF2051</b>
MAN	81501100227	<b>TF2051</b>
MAN	81501100232	<b>TF2051</b>
MAN	81501100239	<b>TF2051</b>
MAN	81501100244	<b>TF2048</b>
MAN	81501100245	<b>TF2048</b>
MAN	81501103144	<b>TF2048</b>
MAN	81501109144	<b>TF2048</b>
MAN	81502006504	<b>MAC9496CAST</b>
MAN	81502006752	<b>1949504</b>
MAN	81502006752	<b>1949509</b>
MAN	81502006783	<b>1971302</b>
MAN	81502006828	<b>1949602</b>
MAN	81502006828	<b>1949607</b>
MAN	81502006828	<b>1949611</b>
MAN	81502006828	<b>1949600764</b>
MAN	81502006829	<b>1949504</b>
MAN	81502006829	<b>1949509</b>
MAN	81502006842	<b>1723804</b>
MAN	81502007231	<b>MAC9496CAST</b>
MAN	81502007260	<b>1949678</b>
MAN	81502010107	<b>MAC9496CAST</b>
MAN	81502010143	<b>MAC9177</b>
MAN	81502010144	<b>MAC7017</b>
MAN	81502010146	<b>MAC9708</b>
MAN	81502016070	<b>1917705</b>
MAN	81502016086	<b>MAC9495CAST</b>
MAN	81502016099	<b>MAC9495CAST</b>
MAN	81502016114	<b>MAC9496CAST</b>
MAN	81502016115	<b>MAC9496CAST</b>
MAN	81502016180	<b>RES018</b>
MAN	81502016184	<b>MAC9495CAST</b>
MAN	81502016185	<b>MAC9496CAST</b>
MAN	81502016218	<b>MAC9496CAST</b>
MAN	81502016220	<b>MAC9495CAST</b>
MAN	81502016221	<b>MAC9496CAST</b>

MARQUE	REF OES	REFERENCE
MAN	81502016222	<b>MAC9495CAST</b>
MAN	81502016223	<b>MAC9496CAST</b>
MAN	81502020080	<b>SUP006</b>
MAN	81502020083	<b>SUP006</b>
MAN	81502020108	<b>SUP007</b>
MAN	81502020116	<b>SUP008</b>
MAN	81502020117	<b>SUP009</b>
MAN	81502020118	<b>SUP010</b>
MAN	81502020119	<b>SUP011</b>
MAN	81502020127	<b>SUP006</b>
MAN	81502020130	<b>SUP008</b>
MAN	81502020131	<b>SUP009</b>
MAN	81502020132	<b>SUP010</b>
MAN	81502020133	<b>SUP011</b>
MAN	81502020138	<b>SUP008</b>
MAN	81502020139	<b>SUP009</b>
MAN	81502120032	<b>APF002</b>
MAN	81502120036	<b>APF002</b>
MAN	81502130013	<b>KRG001</b>
MAN	81502136005	<b>KRG001</b>
MAN	81502136006	<b>KRG001</b>
MAN	81502200012	<b>17285xx</b>
MAN	81502200123	<b>15136xx</b>
MAN	81502200144	<b>17286xx</b>
MAN	81502200189	<b>17702xx</b>
MAN	81502200190	<b>17702xx</b>
MAN	81502200238	<b>1949504</b>
MAN	81502200238	<b>1949509</b>
MAN	81502200244	<b>17410xx</b>
MAN	81502200245	<b>17410xx</b>
MAN	81502200283	<b>1949504</b>
MAN	81502200283	<b>1949509</b>
MAN	81502200353	<b>1949605</b>
MAN	81502200353	<b>1949610</b>
MAN	81502200398	<b>19527xx</b>
MAN	81502200399	<b>19527xx</b>
MAN	81502200431	<b>17569xx</b>
MAN	81502200432	<b>17569xx</b>
MAN	81502200434	<b>17160xx</b>
MAN	81502200435	<b>17728xx</b>
MAN	81502200436	<b>17728xx</b>
MAN	81502200438	<b>1949504</b>
MAN	81502200438	<b>1949509</b>
MAN	81502200504	<b>1971302</b>
MAN	81502200505	<b>1949504</b>
MAN	81502200505	<b>1949509</b>
MAN	81502200550	<b>1949407</b>
MAN	81502200550	<b>1971301</b>
MAN	81502200551	<b>1949502</b>

Les correspondances de références ont pour seul objectif d'aider la recherche de référence

Cross references are there for the sole purpose of helping the reference search

## CORRESPONDANCE DES REFERENCES CROSS REFERENCE LIST

MARQUE	REF OES	REFERENCE
MAN	81502200551	1949507
MAN	81502200551	1949511
MAN	81502200551	1949500764
MAN	81502200629	1971302
MAN	81502200632	1949604
MAN	81502200632	1949609
MAN	81502200641	1971302
MAN	81502200644	1949604
MAN	81502200644	1949609
MAN	81502200647	1949604
MAN	81502200647	1949609
MAN	81502200650	1971302
MAN	81502200658	1971301
MAN	81502200659	1971301
MAN	81502200660	1971301
MAN	81502200661	1949602
MAN	81502200661	1949607
MAN	81502200661	1949611
MAN	81502200661	1949600764
MAN	81502200662	1949602
MAN	81502200662	1949607
MAN	81502200662	1949611
MAN	81502200662	1949600764
MAN	81502200663	1949602
MAN	81502200663	1949607
MAN	81502200663	1949611
MAN	81502200663	1949600764
MAN	81502200711	1949505
MAN	81502200712	1949505
MAN	81502200713	1949605
MAN	81502200713	1949610
MAN	81502200715	1949605
MAN	81502200715	1949610
MAN	81502200717	1949605
MAN	81502200717	1949610
MAN	81502200720	1949504
MAN	81502200720	1949509
MAN	81502200763	1949504
MAN	81502200763	1949509
MAN	81502200769	1949504
MAN	81502200769	1949509
MAN	81502200907	1949504
MAN	81502200907	1949509
MAN	81502200911	1949602
MAN	81502200911	1949607
MAN	81502200911	1949611
MAN	81502200911	1949600764
MAN	81502200913	1949602
MAN	81502200913	1949607

MARQUE	REF OES	REFERENCE
MAN	81502200913	1949611
MAN	81502200913	1949600764
MAN	81502200917	1949602
MAN	81502200917	1949607
MAN	81502200917	1949611
MAN	81502200917	1949600764
MAN	81502200995	1949407
MAN	81502200995	1971301
MAN	81502210003	1949602
MAN	81502210003	1949607
MAN	81502210003	1949611
MAN	81502210003	1949600764
MAN	81502210006	1790006
MAN	81502210006	1790007
MAN	81502210007	17900xx
MAN	81502210009	1790006
MAN	81502210009	1790007
MAN	81502210010	17900xx
MAN	81502210012	1581702
MAN	81502210013	15817xx
MAN	81502210014	15817xx
MAN	81502210015	1581702
MAN	81502210016	15817xx
MAN	81502210017	15817xx
MAN	81502210049	1768204
MAN	81502210051	17682xx
MAN	81502210056	17238xx
MAN	81502210059	1949504
MAN	81502210059	1949509
MAN	81502210141	1723804
MAN	81502210142	1723802
MAN	81502210142	1723806
MAN	81502210143	17238xx
MAN	81502210160	1971302
MAN	81502210165	1949604
MAN	81502210165	1949609
MAN	81502210167	1949605
MAN	81502210167	1949610
MAN	81502210218	1949504
MAN	81502210218	1949509
MAN	81502210223	1949602
MAN	81502210223	1949607
MAN	81502210223	1949611
MAN	81502210223	1949600764
MAN	81502210235	1970702
MAN	81502210235	1970715
MAN	81502210236	1958101
MAN	81502210236	1970701
MAN	81502210236	1970705

Les correspondances de références ont pour seul objectif d'aider la recherche de référence

Cross references are there for the sole purpose of helping the reference search



## CORRESPONDANCE DES REFERENCES CROSS REFERENCE LIST

MARQUE	REF OES	REFERENCE
MAN	81502210236	1970714
MAN	81502210237	1970720
MAN	81502210255	1970702
MAN	81502210255	1970715
MAN	81502210256	1958101
MAN	81502210256	1970701
MAN	81502210256	1970705
MAN	81502210256	1970714
MAN	81502210257	1970720
MAN	81502210275	1970702
MAN	81502210275	1970715
MAN	81502210276	1958101
MAN	81502210276	1970701
MAN	81502210276	1970705
MAN	81502210276	1970714
MAN	81502210277	1970720
MAN	81502210295	1970702
MAN	81502210295	1970715
MAN	81502210297	1970720
MAN	81502210314	1768204
MAN	81502210315	1768202
MAN	81502210316	17682xx
MAN	81502210318	1723802
MAN	81502210318	1723806
MAN	81502210319	1723802
MAN	81502210319	1723806
MAN	81502210325	1957901
MAN	81502210325	1970601
MAN	81502210325	1970603
MAN	81502210325	1970612
MAN	81502210326	1970619
MAN	81502210339	1970613
MAN	81502210339	1970618
MAN	81502210340	1970601
MAN	81502210340	1970603
MAN	81502210340	1970612
MAN	81502210341	1970619
MAN	81502210361	1970619
MAN	81502210374	1970613
MAN	81502210374	1970618
MAN	81502210375	1970601
MAN	81502210375	1970603
MAN	81502210375	1970612
MAN	81502210376	1970619
MAN	81502210420	1949602
MAN	81502210420	1949607
MAN	81502210420	1949611
MAN	81502210420	1949600764
MAN	81502210430	1723804

MARQUE	REF OES	REFERENCE
MAN	81502210431	1723802
MAN	81502210431	1723806
MAN	81502210432	17238xx
MAN	81502210435	1971302
MAN	81502210436	1971301
MAN	81502210440	1949504
MAN	81502210440	1949509
MAN	81502210441	1949502
MAN	81502210441	1949507
MAN	81502210441	1949511
MAN	81502210441	1949500764
MAN	81502210442	1949505
MAN	81502210443	1949505
MAN	81502210445	1949604
MAN	81502210445	1949609
MAN	81502210446	1949602
MAN	81502210446	1949607
MAN	81502210446	1949611
MAN	81502210446	1949600764
MAN	81502210447	1949605
MAN	81502210447	1949610
MAN	81502210450	1949504
MAN	81502210450	1949509
MAN	81502210451	1949502
MAN	81502210451	1949507
MAN	81502210451	1949511
MAN	81502210451	1949500764
MAN	81502210452	1949505
MAN	81502210453	1949505
MAN	81502210485	1949602
MAN	81502210485	1949607
MAN	81502210485	1949611
MAN	81502210485	1949600764
MAN	81502210515	1723804
MAN	81502210516	1723802
MAN	81502210516	1723806
MAN	81502210517	17238xx
MAN	81502210520	1971302
MAN	81502210521	1971301
MAN	81502210525	1949504
MAN	81502210525	1949509
MAN	81502210526	1949502
MAN	81502210526	1949507
MAN	81502210526	1949511
MAN	81502210526	1949500764
MAN	81502210527	1949505
MAN	81502210528	1949505
MAN	81502210530	1949604
MAN	81502210530	1949609

Les correspondances de références ont pour seul objectif d'aider la recherche de référence

Cross references are there for the sole purpose of helping the reference search

## CORRESPONDANCE DES REFERENCES CROSS REFERENCE LIST

MARQUE	REF OES	REFERENCE
MAN	81502210531	<b>1949602</b>
MAN	81502210531	<b>1949607</b>
MAN	81502210531	<b>1949611</b>
MAN	81502210531	<b>1949600764</b>
MAN	81502210532	<b>1949605</b>
MAN	81502210532	<b>1949610</b>
MAN	81502210535	<b>1970613</b>
MAN	81502210535	<b>1970618</b>
MAN	81502210536	<b>1957901</b>
MAN	81502210536	<b>1970601</b>
MAN	81502210536	<b>1970603</b>
MAN	81502210536	<b>1970612</b>
MAN	81502210537	<b>1970619</b>
MAN	81502210540	<b>1970613</b>
MAN	81502210540	<b>1970618</b>
MAN	81502210541	<b>1970601</b>
MAN	81502210541	<b>1970603</b>
MAN	81502210541	<b>1970612</b>
MAN	81502210542	<b>1970619</b>
MAN	81502210545	<b>1970702</b>
MAN	81502210545	<b>1970715</b>
MAN	81502210546	<b>1958101</b>
MAN	81502210546	<b>1970701</b>
MAN	81502210546	<b>1970705</b>
MAN	81502210546	<b>1970714</b>
MAN	81502210547	<b>1970720</b>
MAN	81502210550	<b>1970702</b>
MAN	81502210550	<b>1970715</b>
MAN	81502210551	<b>1970701</b>
MAN	81502210551	<b>1970705</b>
MAN	81502210551	<b>1970714</b>
MAN	81502210552	<b>1970720</b>
MAN	81502210584	<b>1587906</b>
MAN	81502210585	<b>1587907</b>
MAN	81502210586	<b>15879xx</b>
MAN	81502210587	<b>1798806</b>
MAN	81502210588	<b>1798807</b>
MAN	81502210589	<b>17988xx</b>
MAN	81502210591	<b>1949604</b>
MAN	81502210591	<b>1949609</b>
MAN	81502210596	<b>1949604</b>
MAN	81502210596	<b>1949609</b>
MAN	81502210613	<b>1723804</b>
MAN	81502210614	<b>1971302</b>
MAN	81502210615	<b>1949504</b>
MAN	81502210615	<b>1949509</b>
MAN	81502210616	<b>1701703</b>
MAN	81502210617	<b>1701704</b>
MAN	81502210618	<b>17017xx</b>

MARQUE	REF OES	REFERENCE
MAN	81502210619	<b>1917705</b>
MAN	81502210620	<b>19177xx</b>
MAN	81502210623	<b>1949604</b>
MAN	81502210623	<b>1949609</b>
MAN	81502210634	<b>1723804</b>
MAN	81502210635	<b>1723802</b>
MAN	81502210635	<b>1723806</b>
MAN	81502210636	<b>17238xx</b>
MAN	81502210639	<b>1971302</b>
MAN	81502210640	<b>1971301</b>
MAN	81502210644	<b>1949504</b>
MAN	81502210644	<b>1949509</b>
MAN	81502210645	<b>1949502</b>
MAN	81502210645	<b>1949507</b>
MAN	81502210645	<b>1949511</b>
MAN	81502210645	<b>1949500764</b>
MAN	81502210646	<b>1949505</b>
MAN	81502210647	<b>1949505</b>
MAN	81502210649	<b>1949604</b>
MAN	81502210649	<b>1949609</b>
MAN	81502210650	<b>1949602</b>
MAN	81502210650	<b>1949607</b>
MAN	81502210650	<b>1949611</b>
MAN	81502210650	<b>1949600764</b>
MAN	81502210651	<b>1949605</b>
MAN	81502210651	<b>1949610</b>
MAN	81502210654	<b>1970613</b>
MAN	81502210654	<b>1970618</b>
MAN	81502210655	<b>1970601</b>
MAN	81502210655	<b>1970603</b>
MAN	81502210655	<b>1970612</b>
MAN	81502210656	<b>1970619</b>
MAN	81502210659	<b>1970613</b>
MAN	81502210659	<b>1970618</b>
MAN	81502210660	<b>1970601</b>
MAN	81502210660	<b>1970603</b>
MAN	81502210660	<b>1970612</b>
MAN	81502210661	<b>1970619</b>
MAN	81502210664	<b>1970702</b>
MAN	81502210664	<b>1970715</b>
MAN	81502210665	<b>1970701</b>
MAN	81502210665	<b>1970705</b>
MAN	81502210665	<b>1970714</b>
MAN	81502210666	<b>1970720</b>
MAN	81502210669	<b>1970702</b>
MAN	81502210669	<b>1970715</b>
MAN	81502210670	<b>1970701</b>
MAN	81502210670	<b>1970705</b>
MAN	81502210670	<b>1970714</b>

Les correspondances de références ont pour seul objectif d'aider la recherche de référence

Cross references are there for the sole purpose of helping the reference search

## CORRESPONDANCE DES REFERENCES CROSS REFERENCE LIST

MARQUE	REF OES	REFERENCE
MAN	81502210671	<b>1970720</b>
MAN	81502210673	<b>1587906</b>
MAN	81502210674	<b>1798806</b>
MAN	81502210675	<b>1701703</b>
MAN	81502210676	<b>1917705</b>
MAN	81502210678	<b>1949604</b>
MAN	81502210678	<b>1949609</b>
MAN	81502210679	<b>1971302</b>
MAN	81502210680	<b>1971301</b>
MAN	81502210681	<b>1949602</b>
MAN	81502210681	<b>1949607</b>
MAN	81502210681	<b>1949611</b>
MAN	81502210681	<b>1949600764</b>
MAN	81502210684	<b>1949605</b>
MAN	81502210684	<b>1949610</b>
MAN	81502210698	<b>1768204</b>
MAN	81502210700	<b>17682xx</b>
MAN	81502210711	<b>1970613</b>
MAN	81502210711	<b>1970618</b>
MAN	81502210712	<b>1970601</b>
MAN	81502210712	<b>1970603</b>
MAN	81502210712	<b>1970612</b>
MAN	81502210713	<b>1970619</b>
MAN	81502210716	<b>1970613</b>
MAN	81502210716	<b>1970618</b>
MAN	81502210717	<b>1970601</b>
MAN	81502210717	<b>1970603</b>
MAN	81502210717	<b>1970612</b>
MAN	81502210718	<b>1970619</b>
MAN	81502210721	<b>1970702</b>
MAN	81502210721	<b>1970715</b>
MAN	81502210722	<b>1970701</b>
MAN	81502210722	<b>1970705</b>
MAN	81502210722	<b>1970714</b>
MAN	81502210723	<b>1970720</b>
MAN	81502210726	<b>1970702</b>
MAN	81502210726	<b>1970715</b>
MAN	81502210727	<b>1970701</b>
MAN	81502210727	<b>1970705</b>
MAN	81502210727	<b>1970714</b>
MAN	81502210728	<b>1970720</b>
MAN	81502210730	<b>1768204</b>
MAN	81502210732	<b>17682xx</b>
MAN	81502210734	<b>1587907</b>
MAN	81502210735	<b>15879xx</b>
MAN	81502210736	<b>1798807</b>
MAN	81502210737	<b>17988xx</b>
MAN	81502210738	<b>1701704</b>
MAN	81502210739	<b>17017xx</b>

MARQUE	REF OES	REFERENCE
MAN	81502210740	<b>19177xx</b>
MAN	81502210743	<b>17285xx</b>
MAN	81502210745	<b>15136xx</b>
MAN	81502210746	<b>17286xx</b>
MAN	81502210747	<b>17702xx</b>
MAN	81502210748	<b>17702xx</b>
MAN	81502210749	<b>17410xx</b>
MAN	81502210750	<b>17410xx</b>
MAN	81502210757	<b>19527xx</b>
MAN	81502210758	<b>19527xx</b>
MAN	81502210759	<b>17569xx</b>
MAN	81502210760	<b>17569xx</b>
MAN	81502210762	<b>17160xx</b>
MAN	81502210763	<b>17728xx</b>
MAN	81502210764	<b>17728xx</b>
MAN	81502210768	<b>1768202</b>
MAN	81502210770	<b>1949504</b>
MAN	81502210770	<b>1949509</b>
MAN	81502210771	<b>1949502</b>
MAN	81502210771	<b>1949507</b>
MAN	81502210771	<b>1949511</b>
MAN	81502210771	<b>1949500764</b>
MAN	81502210772	<b>1949505</b>
MAN	81502210773	<b>1949505</b>
MAN	81502210780	<b>1949604</b>
MAN	81502210780	<b>1949609</b>
MAN	81502210783	<b>1723802</b>
MAN	81502210783	<b>1723806</b>
MAN	81502210784	<b>1949502</b>
MAN	81502210784	<b>1949507</b>
MAN	81502210784	<b>1949511</b>
MAN	81502210784	<b>1949500764</b>
MAN	81502210785	<b>1581702</b>
MAN	81502210786	<b>15817xx</b>
MAN	81502210787	<b>15817xx</b>
MAN	81502210788	<b>1581702</b>
MAN	81502210789	<b>15817xx</b>
MAN	81502210790	<b>15817xx</b>
MAN	81502210791	<b>1790006</b>
MAN	81502210791	<b>1790007</b>
MAN	81502210792	<b>17900xx</b>
MAN	81502210794	<b>1790006</b>
MAN	81502210794	<b>1790007</b>
MAN	81502210795	<b>17900xx</b>
MAN	81502210803	<b>1971302</b>
MAN	81502210804	<b>1971301</b>
MAN	81502210808	<b>1949504</b>
MAN	81502210808	<b>1949509</b>
MAN	81502210809	<b>1949502</b>

Les correspondances de références ont pour seul objectif d'aider la recherche de référence

Cross references are there for the sole purpose of helping the reference search

## CORRESPONDANCE DES REFERENCES CROSS REFERENCE LIST

MARQUE	REF OES	REFERENCE
MAN	81502210809	1949507
MAN	81502210809	1949511
MAN	81502210809	1949500764
MAN	81502210810	1949505
MAN	81502210811	1949505
MAN	81502210813	1949604
MAN	81502210813	1949609
MAN	81502210814	1949602
MAN	81502210814	1949607
MAN	81502210814	1949611
MAN	81502210814	1949600764
MAN	81502210815	1949605
MAN	81502210815	1949610
MAN	81502210817	1949604
MAN	81502210817	1949609
MAN	81502210819	1949604
MAN	81502210819	1949609
MAN	81502210820	1949604
MAN	81502210820	1949609
MAN	81502210825	1949605
MAN	81502210825	1949610
MAN	81502210829	1723804
MAN	81502210830	1723802
MAN	81502210830	1723806
MAN	81502210831	17238xx
MAN	81502210834	1723804
MAN	81502210835	1723802
MAN	81502210835	1723806
MAN	81502210836	17238xx
MAN	81502210839	1971302
MAN	81502210840	1971301
MAN	81502210844	1971302
MAN	81502210845	1971301
MAN	81502210849	1949504
MAN	81502210849	1949509
MAN	81502210850	1949502
MAN	81502210850	1949507
MAN	81502210850	1949511
MAN	81502210850	1949500764
MAN	81502210851	1949505
MAN	81502210852	1949505
MAN	81502210854	1949504
MAN	81502210854	1949509
MAN	81502210855	1949502
MAN	81502210855	1949507
MAN	81502210855	1949511
MAN	81502210855	1949500764
MAN	81502210856	1949505
MAN	81502210857	1949505

MARQUE	REF OES	REFERENCE
MAN	81502210859	1949604
MAN	81502210859	1949609
MAN	81502210860	1949602
MAN	81502210860	1949607
MAN	81502210860	1949611
MAN	81502210860	1949600764
MAN	81502210861	1949605
MAN	81502210861	1949610
MAN	81502210864	1949604
MAN	81502210864	1949609
MAN	81502210865	1949602
MAN	81502210865	1949607
MAN	81502210865	1949611
MAN	81502210865	1949600764
MAN	81502210866	1949605
MAN	81502210866	1949610
MAN	81502210873	1701703
MAN	81502210877	1970613
MAN	81502210877	1970618
MAN	81502210878	1970601
MAN	81502210878	1970603
MAN	81502210878	1970612
MAN	81502210879	1970619
MAN	81502210882	1970613
MAN	81502210882	1970618
MAN	81502210883	1970601
MAN	81502210883	1970603
MAN	81502210883	1970612
MAN	81502210884	1970619
MAN	81502210887	1970702
MAN	81502210887	1970715
MAN	81502210888	1970701
MAN	81502210888	1970705
MAN	81502210888	1970714
MAN	81502210889	1970720
MAN	81502210892	1970702
MAN	81502210892	1970715
MAN	81502210893	1970701
MAN	81502210893	1970705
MAN	81502210893	1970714
MAN	81502210894	1970720
MAN	81502210897	1723804
MAN	81502210898	1723802
MAN	81502210898	1723806
MAN	81502210899	17238xx
MAN	81502210902	1971302
MAN	81502210903	1949407
MAN	81502210903	1971301
MAN	81502210907	1949504

Les correspondances de références ont pour seul objectif d'aider la recherche de référence

Cross references are there for the sole purpose of helping the reference search



## CORRESPONDANCE DES REFERENCES CROSS REFERENCE LIST

MARQUE	REF OES	REFERENCE
MAN	81502210907	1949509
MAN	81502210908	1949502
MAN	81502210908	1949507
MAN	81502210908	1949511
MAN	81502210908	1949500764
MAN	81502210909	1949505
MAN	81502210910	1949505
MAN	81502210912	1949604
MAN	81502210912	1949609
MAN	81502210913	1949602
MAN	81502210913	1949607
MAN	81502210913	1949611
MAN	81502210913	1949600764
MAN	81502210914	1949605
MAN	81502210914	1949610
MAN	81502210921	1949602
MAN	81502210921	1949607
MAN	81502210921	1949611
MAN	81502210921	1949600764
MAN	81502210922	1971301
MAN	81502210923	1971302
MAN	81502210926	1949604
MAN	81502210926	1949609
MAN	81502210927	1949605
MAN	81502210927	1949610
MAN	81502210944	1971301
MAN	81502210978	1949678
MAN	81502216001	1701703
MAN	81502216003	1917705
MAN	81502216013	1587906
MAN	81502216014	1587907
MAN	81502216015	15879xx
MAN	81502216016	1798806
MAN	81502216017	1798807
MAN	81502216018	17988xx
MAN	81502216025	1701703
MAN	81502216026	1701704
MAN	81502216028	1917705
MAN	81502216029	19177xx
MAN	81502216031	1798806
MAN	81502216032	1798807
MAN	81502216033	17988xx
MAN	81502216034	1587906
MAN	81502216035	1587907
MAN	81502216036	15879xx
MAN	81502216037	1701703
MAN	81502216038	1701704
MAN	81502216039	17017xx
MAN	81502216040	1917705

MARQUE	REF OES	REFERENCE
MAN	81502216041	19177xx
MAN	81502216043	1798806
MAN	81502216044	1798807
MAN	81502216045	17988xx
MAN	81502216049	1917705
MAN	81502216050	19177xx
MAN	81502216055	1701703
MAN	81502216056	1701704
MAN	81502216057	17017xx
MAN	81502216061	1587906
MAN	81502216062	1587907
MAN	81502216063	15879xx
MAN	81502216067	1970803
MAN	81502216069	1970803
MAN	81502216070	1970803
MAN	81502216072	1970803
MAN	81502216073	1723802
MAN	81502216073	1723806
MAN	81502216074	1723804
MAN	81502216075	17238xx
MAN	81502216077	1949502
MAN	81502216077	1949507
MAN	81502216077	1949511
MAN	81502216077	1949500764
MAN	81502216078	1949504
MAN	81502216078	1949509
MAN	81502216079	1949505
MAN	81502216080	1949505
MAN	81502216081	1949602
MAN	81502216081	1949607
MAN	81502216081	1949611
MAN	81502216081	1949600764
MAN	81502216082	1949604
MAN	81502216082	1949609
MAN	81502216083	1949605
MAN	81502216083	1949610
MAN	81502216085	1971301
MAN	81502216086	1971302
MAN	81502216089	1723802
MAN	81502216089	1723806
MAN	81502216090	1723804
MAN	81502216091	17238xx
MAN	81502216093	1971301
MAN	81502216094	1971302
MAN	81502216097	1949502
MAN	81502216097	1949507
MAN	81502216097	1949511
MAN	81502216097	1949500764
MAN	81502216098	1949504

Les correspondances de références ont pour seul objectif d'aider la recherche de référence

Cross references are there for the sole purpose of helping the reference search

## CORRESPONDANCE DES REFERENCES CROSS REFERENCE LIST

MARQUE	REF OES	REFERENCE
MAN	81502216098	1949509
MAN	81502216099	1949505
MAN	81502216100	1949505
MAN	81502216101	1949602
MAN	81502216101	1949607
MAN	81502216101	1949611
MAN	81502216101	1949600764
MAN	81502216102	1949604
MAN	81502216102	1949609
MAN	81502216103	1949605
MAN	81502216103	1949610
MAN	81502216147	1949678
MAN	81976100115	RES008
MAN	81976100118	RES009
MAN	81976100123	RES008
MAN	81976100190	RES015
MAN	81976100208	RES009
MAN	81976100210	RES007
MAN	81976100224	KRES012
MAN	81976100265	RES017
MAN	81976100271	RES018
MAN	81976100317	RES008
MAN	81976106005	KRES015
MAN	81976106013	KRES015
MAN	81998030040	TF2048
MAN	81998030240	TF2048
MAN	88502200023	1971302
MAN	88502200024	1949604
MAN	88502200024	1949609
MAN	88502200036	1971301
MAN	88502200040	1949602
MAN	88502200040	1949607
MAN	88502200040	1949611
MAN	88502200040	1949600764
MAN	88502200041	1949605
MAN	88502200041	1949610
MAN	88502200044	1970613
MAN	88502200044	1970618
MAN	88502200045	1970601
MAN	88502200045	1970603
MAN	88502200045	1970612
MAN	88502200046	1970619
MAN	88502200049	1970613
MAN	88502200049	1970618
MAN	88502200050	1970601
MAN	88502200050	1970603
MAN	88502200050	1970612
MAN	88502200051	1970619
MAN	88502200054	1970702

MARQUE	REF OES	REFERENCE
MAN	88502200054	1970715
MAN	88502200055	1970701
MAN	88502200055	1970705
MAN	88502200055	1970714
MAN	88502200056	1970720
MAN	88502200059	1970702
MAN	88502200059	1970715
MAN	88502200060	1970701
MAN	88502200060	1970705
MAN	88502200060	1970714
MAN	88502200061	1970720
MAN	88502200064	1970613
MAN	88502200064	1970618
MAN	88502200065	1970619
MAN	88502200068	1970613
MAN	88502200068	1970618
MAN	88502200069	1970619
MAN	88502200072	1970702
MAN	88502200072	1970715
MAN	88502200073	1970720
MAN	88502200076	1970702
MAN	88502200076	1970715
MAN	88502200077	1970720
MAN	2V5501615B	TF2051
MAN	N1011013014	RES015
MAN	N1011014929	ECF001
MERCEDES	0004208738	ECF007
MERCEDES	4210131	1969901
MERCEDES	4210131	1969903
MERCEDES	0004210131	1969905
MERCEDES	0004211630	1949504
MERCEDES	4211630	1949509
MERCEDES	0004230523	1949602
MERCEDES	0004230523	1949600764
MERCEDES	0004230530	1949602
MERCEDES	4230530	1949607
MERCEDES	0004230530	1949600764
MERCEDES	0004230630	1949604
MERCEDES	4230630	1949609
MERCEDES	0035401217	98016800
MERCEDES	35401217	W0220ME
MERCEDES	0042111530	1949502
MERCEDES	42111530	1949507
MERCEDES	0042111530	1949500764
MERCEDES	0044201920	1302001
MERCEDES	0054208118	CR0581
MERCEDES	0065481213	ECF001
MERCEDES	0084202418	CR0748
MERCEDES	0084204218	CR0581

Les correspondances de références ont pour seul objectif d'aider la recherche de référence

Cross references are there for the sole purpose of helping the reference search

## CORRESPONDANCE DES REFERENCES CROSS REFERENCE LIST

MARQUE	REF OES	REFERENCE
MERCEDES	0084204418	<b>CR0748</b>
MERCEDES	0094201118	<b>CR0748</b>
MERCEDES	3014210901	<b>TF1069</b>
MERCEDES	3014211301	<b>TF1069</b>
MERCEDES	3014211510	<b>1970601</b>
MERCEDES	3014211510	<b>1970603</b>
MERCEDES	3014211510	<b>1970612</b>
MERCEDES	3014211810	<b>1779501</b>
MERCEDES	3014212110	<b>1779501</b>
MERCEDES	3014215510	<b>1779501</b>
MERCEDES	3014215810	<b>1779501</b>
MERCEDES	3014218810	<b>1779501</b>
MERCEDES	3014231610	<b>1949505</b>
MERCEDES	3014231910	<b>1949505</b>
MERCEDES	3014234910	<b>1970613</b>
MERCEDES	3014234910	<b>1970618</b>
MERCEDES	3014235210	<b>1970613</b>
MERCEDES	3014235210	<b>1970618</b>
MERCEDES	3014236110	<b>1970702</b>
MERCEDES	3014236110	<b>1970715</b>
MERCEDES	3014236410	<b>1970702</b>
MERCEDES	3014236410	<b>1970715</b>
MERCEDES	3014237010	<b>1970601</b>
MERCEDES	3014237010	<b>1970603</b>
MERCEDES	3014237010	<b>1970612</b>
MERCEDES	3014237010	<b>1970613</b>
MERCEDES	3014237010	<b>1970618</b>
MERCEDES	3014237110	<b>1970613</b>
MERCEDES	3014237110	<b>1970618</b>
MERCEDES	3014237910	<b>1970701</b>
MERCEDES	3014237910	<b>1970705</b>
MERCEDES	3014237910	<b>1970714</b>
MERCEDES	3014238010	<b>1970702</b>
MERCEDES	3014238010	<b>1970715</b>
MERCEDES	3024232710	<b>19466xx</b>
MERCEDES	3024233010	<b>19466xx</b>
MERCEDES	3049971747	<b>BE0002</b>
MERCEDES	3054210010	<b>1949402</b>
MERCEDES	3054210010	<b>1949407</b>
MERCEDES	3054230201	<b>TF1042</b>
MERCEDES	3054230301	<b>TF1042</b>
MERCEDES	3054230310	<b>1949604</b>
MERCEDES	3054230310	<b>1949609</b>
MERCEDES	3054230401	<b>TF1042</b>
MERCEDES	3054230410	<b>1949605</b>
MERCEDES	3054230410	<b>1949610</b>
MERCEDES	3054230610	<b>19466xx</b>
MERCEDES	3054230910	<b>1949604</b>
MERCEDES	3054230910	<b>1949609</b>

MARQUE	REF OES	REFERENCE
MERCEDES	3054231010	<b>1949605</b>
MERCEDES	3054231010	<b>1949610</b>
MERCEDES	3054231210	<b>19466xx</b>
MERCEDES	3074200339	<b>KRG001</b>
MERCEDES	3074204002	<b>APF002</b>
MERCEDES	3074211210	<b>1779501</b>
MERCEDES	3074211510	<b>1779501</b>
MERCEDES	3074211610	<b>1779501</b>
MERCEDES	3074213610	<b>1779501</b>
MERCEDES	3074213910	<b>1779501</b>
MERCEDES	3074215410	<b>1779501</b>
MERCEDES	3094210410	<b>1534906</b>
MERCEDES	3094210510	<b>1534907</b>
MERCEDES	3094210710	<b>1534906</b>
MERCEDES	3094210810	<b>1534907</b>
MERCEDES	3094214910	<b>1534906</b>
MERCEDES	3094215210	<b>1558008</b>
MERCEDES	3094216710	<b>1534906</b>
MERCEDES	3103251300	<b>15057xx</b>
MERCEDES	3104213310	<b>1558008</b>
MERCEDES	3104214410	<b>1558008</b>
MERCEDES	3104215110	<b>15057xx</b>
MERCEDES	3144210510	<b>15057xx</b>
MERCEDES	3144210610	<b>1505700928</b>
MERCEDES	3164211910	<b>1740909</b>
MERCEDES	3164212310	<b>1740909</b>
MERCEDES	3164212410	<b>1740909</b>
MERCEDES	3164212510	<b>1740909</b>
MERCEDES	3174215610	<b>19125xx</b>
MERCEDES	3174232510	<b>19466xx</b>
MERCEDES	3174232810	<b>19466xx</b>
MERCEDES	3174233210	<b>19466xx</b>
MERCEDES	3174233510	<b>19466xx</b>
MERCEDES	3174235010	<b>19466xx</b>
MERCEDES	3184211910	<b>1740909</b>
MERCEDES	3244210610	<b>15057xx</b>
MERCEDES	3244211010	<b>15057xx</b>
MERCEDES	3244211410	<b>15057xx</b>
MERCEDES	3244211510	<b>15057xx</b>
MERCEDES	3244212210	<b>1505700928</b>
MERCEDES	3254211110	<b>1727601</b>
MERCEDES	3354200220	<b>1727601</b>
MERCEDES	3354202920	<b>1727601</b>
MERCEDES	3354210010	<b>1727601</b>
MERCEDES	3354210110	<b>1727601</b>
MERCEDES	3354210410	<b>1727601</b>
MERCEDES	3354210510	<b>1727601</b>
MERCEDES	3354211110	<b>1727601</b>
MERCEDES	3354211510	<b>1727601</b>

Les correspondances de références ont pour seul objectif d'aider la recherche de référence

Cross references are there for the sole purpose of helping the reference search

## CORRESPONDANCE DES REFERENCES CROSS REFERENCE LIST

MARQUE	REF OES	REFERENCE
MERCEDES	3354211910	1727601
MERCEDES	3354212710	1727601
MERCEDES	3414234110	1729800298
MERCEDES	3464210010	1723802
MERCEDES	3464210010	1723806
MERCEDES	3464210110	1723804
MERCEDES	3464213106	SUP007
MERCEDES	3464230010	1949502
MERCEDES	3464230010	1949507
MERCEDES	3464230010	1949511
MERCEDES	3464230010	1949500764
MERCEDES	3464230110	1949505
MERCEDES	3464230310	1949402
MERCEDES	3464230310	1949407
MERCEDES	3464230610	1949502
MERCEDES	3464230610	1949507
MERCEDES	3464230610	1949511
MERCEDES	3464230610	1949500764
MERCEDES	3464230706	SUP006
MERCEDES	3464230710	1949505
MERCEDES	3464230810	1949505
MERCEDES	3464230906	SUP006
MERCEDES	3464230910	1949502
MERCEDES	3464230910	1949507
MERCEDES	3464230910	1949511
MERCEDES	3464230910	1949500764
MERCEDES	3464231010	1949505
MERCEDES	3464231210	1949404
MERCEDES	3464231210	1949409
MERCEDES	3464231910	1723802
MERCEDES	3464231910	1723806
MERCEDES	3464232010	1723804
MERCEDES	3464232210	1723802
MERCEDES	3464232210	1723806
MERCEDES	3464232310	1723804
MERCEDES	3464232510	1723802
MERCEDES	3464232510	1723806
MERCEDES	3464232610	1723804
MERCEDES	3464232810	1949502
MERCEDES	3464232810	1949507
MERCEDES	3464232810	1949511
MERCEDES	3464232810	1949500764
MERCEDES	3464232910	1949505
MERCEDES	3464233110	1949402
MERCEDES	3464233110	1949407
MERCEDES	3464233410	1949502
MERCEDES	3464233410	1949507
MERCEDES	3464233410	1949511
MERCEDES	3464233410	1949500764

MARQUE	REF OES	REFERENCE
MERCEDES	3464233510	1949505
MERCEDES	3464233710	1949402
MERCEDES	3464233710	1949407
MERCEDES	3464234010	1949402
MERCEDES	3464234010	1949407
MERCEDES	3464234110	1723802
MERCEDES	3464234110	1723806
MERCEDES	3464234210	1723804
MERCEDES	3464234310	1723802
MERCEDES	3464234310	1723806
MERCEDES	3464234610	1723802
MERCEDES	3464234610	1723806
MERCEDES	3464234810	1949502
MERCEDES	3464234810	1949507
MERCEDES	3464234810	1949511
MERCEDES	3464234810	1949500764
MERCEDES	3464235510	1723802
MERCEDES	3464235510	1723806
MERCEDES	3464235710	1949502
MERCEDES	3464235710	1949507
MERCEDES	3464235710	1949511
MERCEDES	3464235710	1949500764
MERCEDES	3464235810	1949404
MERCEDES	3464235810	1949409
MERCEDES	3464236710	1723802
MERCEDES	3464236710	1723806
MERCEDES	3464237110	1949505
MERCEDES	3464237410	1949505
MERCEDES	3464238310	1949505
MERCEDES	3464238610	1949505
MERCEDES	3464239410	1723802
MERCEDES	3464239410	1723806
MERCEDES	3464239510	1723802
MERCEDES	3464239510	1723806
MERCEDES	3464239610	1949502
MERCEDES	3464239610	1949507
MERCEDES	3464239610	1949511
MERCEDES	3464239610	1949500764
MERCEDES	3464239710	1949502
MERCEDES	3464239710	1949507
MERCEDES	3464239710	1949511
MERCEDES	3464239710	1949500764
MERCEDES	3469930110	RES008
MERCEDES	3469930210	RES009
MERCEDES	3469930310	RES008
MERCEDES	3469930610	RES008
MERCEDES	3469930810	RES007
MERCEDES	3494210010	1727601
MERCEDES	3494210310	1727601

Les correspondances de références ont pour seul objectif d'aider la recherche de référence

Cross references are there for the sole purpose of helping the reference search



## CORRESPONDANCE DES REFERENCES CROSS REFERENCE LIST

MARQUE	REF OES	REFERENCE
MERCEDES	3494210610	1727601
MERCEDES	3494210910	1727601
MERCEDES	3494211010	1727601
MERCEDES	3494211210	1727601
MERCEDES	3504200219	MAC9496CAST
MERCEDES	3524210010	1768202
MERCEDES	3524210110	17682101561
MERCEDES	3524210310	1768202
MERCEDES	3524210410	17682101561
MERCEDES	3534230610	1768202
MERCEDES	3534230710	17682101561
MERCEDES	3534231210	1768202
MERCEDES	3534231310	17682101561
MERCEDES	3534232110	1773900934
MERCEDES	3534233410	1729700928
MERCEDES	3534233410	17297xx
MERCEDES	3554230801	TF1042
MERCEDES	3554233410	19125xx
MERCEDES	3574211310	1970613
MERCEDES	3574211310	1970618
MERCEDES	3574211410	1970613
MERCEDES	3574211410	1970618
MERCEDES	3574212210	1779501
MERCEDES	3574230111	1970701
MERCEDES	3574230111	1970705
MERCEDES	3574230111	1970714
MERCEDES	3574230211	1970702
MERCEDES	3574230211	1970715
MERCEDES	3574230411	1970601
MERCEDES	3574230411	1970603
MERCEDES	3574230411	1970612
MERCEDES	3574230511	1970613
MERCEDES	3574230511	1970618
MERCEDES	3574230710	1970613
MERCEDES	3574230710	1970618
MERCEDES	3574231010	1970613
MERCEDES	3574231010	1970618
MERCEDES	3574231011	1970702
MERCEDES	3574231011	1970715
MERCEDES	3574231310	1970702
MERCEDES	3574231310	1970715
MERCEDES	3574231610	1970702
MERCEDES	3574231610	1970715
MERCEDES	3574231911	1970613
MERCEDES	3574231911	1970618
MERCEDES	3574232211	1970702
MERCEDES	3574232211	1970715
MERCEDES	3574233510	1970701
MERCEDES	3574233510	1970705

MARQUE	REF OES	REFERENCE
MERCEDES	3574233510	1970714
MERCEDES	3574233610	1970702
MERCEDES	3574233610	1970715
MERCEDES	3574234710	1970601
MERCEDES	3574234710	1970603
MERCEDES	3574234710	1970612
MERCEDES	3574234810	1970613
MERCEDES	3574234810	1970618
MERCEDES	3574235810	1970613
MERCEDES	3574235810	1970618
MERCEDES	3574236110	1970613
MERCEDES	3574236110	1970618
MERCEDES	3574237010	1970702
MERCEDES	3574237010	1970715
MERCEDES	3574237310	1970702
MERCEDES	3574237310	1970715
MERCEDES	3574238310	1970613
MERCEDES	3574238310	1970618
MERCEDES	3574238610	1970613
MERCEDES	3574238610	1970618
MERCEDES	3574239510	1970702
MERCEDES	3574239510	1970715
MERCEDES	3574239810	1970702
MERCEDES	3574239810	1970715
MERCEDES	3604210910	1723802
MERCEDES	3604210910	1723806
MERCEDES	3604211010	1723804
MERCEDES	3604211210	1723802
MERCEDES	3604211210	1723806
MERCEDES	3604211310	1723804
MERCEDES	3604211610	1723802
MERCEDES	3604211610	1723806
MERCEDES	3604230410	1949402
MERCEDES	3604230410	1949407
MERCEDES	3604230710	1949402
MERCEDES	3604230710	1949407
MERCEDES	3604231010	1723802
MERCEDES	3604231010	1723806
MERCEDES	3604231110	1723804
MERCEDES	3604231910	1949404
MERCEDES	3604231910	1949409
MERCEDES	3604232310	1723802
MERCEDES	3604232310	1723806
MERCEDES	3604232510	1773900934
MERCEDES	3814210010	1768202
MERCEDES	3814210110	1768202
MERCEDES	3814210210	17682101561
MERCEDES	3814232610	1723802
MERCEDES	3814232610	1723806

Les correspondances de références ont pour seul objectif d'aider la recherche de référence

Cross references are there for the sole purpose of helping the reference search

## CORRESPONDANCE DES REFERENCES CROSS REFERENCE LIST

MARQUE	REF OES	REFERENCE
MERCEDES	3834210610	<b>1768202</b>
MERCEDES	3834210710	<b>17682101561</b>
MERCEDES	3834210910	<b>1768202</b>
MERCEDES	3834211010	<b>17682101561</b>
MERCEDES	3834211210	<b>1773900934</b>
MERCEDES	3834211310	<b>1773900934</b>
MERCEDES	3834212810	<b>1723802</b>
MERCEDES	3834212810	<b>1723806</b>
MERCEDES	3834212910	<b>1723802</b>
MERCEDES	3834212910	<b>1723806</b>
MERCEDES	3834213010	<b>1723804</b>
MERCEDES	3834231210	<b>1773900934</b>
MERCEDES	3834231310	<b>1773900934</b>
MERCEDES	3854210010	<b>1949402</b>
MERCEDES	3854210010	<b>1949407</b>
MERCEDES	3854210310	<b>1949402</b>
MERCEDES	3854210310	<b>1949407</b>
MERCEDES	3854211310	<b>1723804</b>
MERCEDES	3854230110	<b>1723802</b>
MERCEDES	3854230110	<b>1723806</b>
MERCEDES	3854230210	<b>1723804</b>
MERCEDES	3854230410	<b>1723802</b>
MERCEDES	3854230410	<b>1723806</b>
MERCEDES	3854230510	<b>1723804</b>
MERCEDES	3854230710	<b>1723802</b>
MERCEDES	3854230710	<b>1723806</b>
MERCEDES	3854230810	<b>1723802</b>
MERCEDES	3854230810	<b>1723806</b>
MERCEDES	3854231210	<b>1723802</b>
MERCEDES	3854231210	<b>1723806</b>
MERCEDES	3854231310	<b>1949402</b>
MERCEDES	3854231310	<b>1949407</b>
MERCEDES	3854231410	<b>1949402</b>
MERCEDES	3854231410	<b>1949407</b>
MERCEDES	3854231510	<b>1949404</b>
MERCEDES	3854231510	<b>1949409</b>
MERCEDES	3889937110	<b>RES009</b>
MERCEDES	3894206119	<b>MAC9495CAST</b>
MERCEDES	3894206419	<b>MAC9495CAST</b>
MERCEDES	3934210006	<b>SUP007</b>
MERCEDES	3954200082	<b>APF002</b>
MERCEDES	3955860242	<b>APF002</b>
MERCEDES	4034200339	<b>KRG001</b>
MERCEDES	4074210110	<b>15748001549</b>
MERCEDES	4164212510	<b>1530000</b>
MERCEDES	4214210410	<b>15748001549</b>
MERCEDES	4214210710	<b>15748001549</b>
MERCEDES	4614200020	<b>1302001</b>
MERCEDES	4634201220	<b>1503002</b>

MARQUE	REF OES	REFERENCE
MERCEDES	4634230110	<b>1302001</b>
MERCEDES	4634230210	<b>1503002</b>
MERCEDES	4634230310	<b>1503003</b>
MERCEDES	4884210010	<b>1723802</b>
MERCEDES	4884210010	<b>1723806</b>
MERCEDES	4884210110	<b>1723804</b>
MERCEDES	4974210010	<b>1723802</b>
MERCEDES	4974210010	<b>1723806</b>
MERCEDES	4974210110	<b>1723804</b>
MERCEDES	6014231710	<b>1101901</b>
MERCEDES	6014232110	<b>1101901</b>
MERCEDES	6014232610	<b>1101901</b>
MERCEDES	6014234410	<b>1101901</b>
MERCEDES	6014234810	<b>1101901</b>
MERCEDES	6014235001	<b>TF0221</b>
MERCEDES	6014235101	<b>TF0220</b>
MERCEDES	6014235310	<b>1101901</b>
MERCEDES	6014235410	<b>1101901</b>
MERCEDES	6014236010	<b>1101901</b>
MERCEDES	6014236110	<b>1101901</b>
MERCEDES	6014236810	<b>1101901</b>
MERCEDES	6014236910	<b>1101901</b>
MERCEDES	6014300922	<b>1101901</b>
MERCEDES	6014300922	<b>MF0572</b>
MERCEDES	6015400617	<b>98016800</b>
MERCEDES	6015400617	<b>W0220ME</b>
MERCEDES	6024231210	<b>1302001</b>
MERCEDES	6024231710	<b>1302001</b>
MERCEDES	6024231810	<b>1302002</b>
MERCEDES	6024232610	<b>1302001</b>
MERCEDES	6024232710	<b>1302002</b>
MERCEDES	6024233010	<b>1302001</b>
MERCEDES	6024233110	<b>1302002</b>
MERCEDES	6024233510	<b>1302001</b>
MERCEDES	6024233610	<b>1302002</b>
MERCEDES	6024233910	<b>1302001</b>
MERCEDES	6024234010	<b>1302002</b>
MERCEDES	6024234410	<b>1302001</b>
MERCEDES	6024234510	<b>1302002</b>
MERCEDES	6024234810	<b>1302001</b>
MERCEDES	6024234910	<b>1302002</b>
MERCEDES	6024236010	<b>1302001</b>
MERCEDES	6024236110	<b>1302002</b>
MERCEDES	6024236410	<b>1302001</b>
MERCEDES	6024236510	<b>1302002</b>
MERCEDES	6024301522	<b>1302001</b>
MERCEDES	6114209020	<b>1503002</b>
MERCEDES	6114209020	<b>MF0525</b>
MERCEDES	6114231010	<b>1503002</b>

Les correspondances de références ont pour seul objectif d'aider la recherche de référence

Cross references are there for the sole purpose of helping the reference search

## CORRESPONDANCE DES REFERENCES CROSS REFERENCE LIST

MARQUE	REF OES	REFERENCE
MERCEDES	6114231110	1503003
MERCEDES	6114231410	1503002
MERCEDES	6114231510	1503003
MERCEDES	6114231810	1503002
MERCEDES	6114231910	1503003
MERCEDES	6114232210	1503002
MERCEDES	6114232310	1503003
MERCEDES	6114232510	1503002
MERCEDES	6114233010	1503003
MERCEDES	6174210010	1773900934
MERCEDES	6174210410	1949402
MERCEDES	6174210410	1949407
MERCEDES	6174210910	1773900934
MERCEDES	6174211210	1768202
MERCEDES	6174211310	17682101561
MERCEDES	6174211610	1768202
MERCEDES	6174211710	17682101561
MERCEDES	6174230011	17682101561
MERCEDES	6174230030	1949602
MERCEDES	6174230030	1949607
MERCEDES	6174230030	1949611
MERCEDES	6174230030	1949600764
MERCEDES	6174230110	1949505
MERCEDES	6174230310	1949502
MERCEDES	6174230310	1949507
MERCEDES	6174230310	1949511
MERCEDES	6174230310	1949500764
MERCEDES	6174230311	1723802
MERCEDES	6174230311	1723806
MERCEDES	6174230411	1723804
MERCEDES	6174230530	1949602
MERCEDES	6174230530	1949607
MERCEDES	6174230530	1949611
MERCEDES	6174230530	1949600764
MERCEDES	6174230711	1949402
MERCEDES	6174230711	1949407
MERCEDES	6174230910	1723802
MERCEDES	6174230910	1723806
MERCEDES	6174231111	1949502
MERCEDES	6174231111	1949507
MERCEDES	6174231111	1949511
MERCEDES	6174231111	1949500764
MERCEDES	6174231330	1949502
MERCEDES	6174231330	1949507
MERCEDES	6174231330	1949511
MERCEDES	6174231330	1949500764
MERCEDES	6174231430	1949504
MERCEDES	6174231430	1949509
MERCEDES	6174231511	1949502

MARQUE	REF OES	REFERENCE
MERCEDES	6174231511	1949507
MERCEDES	6174231511	1949511
MERCEDES	6174231511	1949500764
MERCEDES	6174231710	1949502
MERCEDES	6174231710	1949507
MERCEDES	6174231710	1949511
MERCEDES	6174231710	1949500764
MERCEDES	6174231711	1949504
MERCEDES	6174231711	1949509
MERCEDES	6174231730	1949402
MERCEDES	6174231730	1949407
MERCEDES	6174231810	1949504
MERCEDES	6174231810	1949509
MERCEDES	6174231830	1949404
MERCEDES	6174231830	1949409
MERCEDES	6174231910	1949505
MERCEDES	6174231911	1949402
MERCEDES	6174231911	1949407
MERCEDES	6174231930	1949404
MERCEDES	6174231930	1949409
MERCEDES	6174232011	1949404
MERCEDES	6174232011	1949409
MERCEDES	6174232130	1723802
MERCEDES	6174232130	1723806
MERCEDES	6174232210	1768202
MERCEDES	6174232230	1723804
MERCEDES	6174232310	17682101561
MERCEDES	6174232311	1949502
MERCEDES	6174232311	1949507
MERCEDES	6174232311	1949511
MERCEDES	6174232311	1949500764
MERCEDES	6174232411	1949504
MERCEDES	6174232411	1949509
MERCEDES	6174232530	1723802
MERCEDES	6174232530	1723806
MERCEDES	6174232610	1723802
MERCEDES	6174232610	1723806
MERCEDES	6174232630	1723802
MERCEDES	6174232630	1723806
MERCEDES	6174232710	1723804
MERCEDES	6174232711	1949502
MERCEDES	6174232711	1949507
MERCEDES	6174232711	1949511
MERCEDES	6174232711	1949500764
MERCEDES	6174232911	1949505
MERCEDES	6174233010	1949402
MERCEDES	6174233010	1949407
MERCEDES	6174233110	1949404
MERCEDES	6174233110	1949409

Les correspondances de références ont pour seul objectif d'aider la recherche de référence

Cross references are there for the sole purpose of helping the reference search



## CORRESPONDANCE DES REFERENCES CROSS REFERENCE LIST

MARQUE	REF OES	REFERENCE
MERCEDES	6174233111	1949602
MERCEDES	6174233111	1949607
MERCEDES	6174233111	1949611
MERCEDES	6174233111	1949600764
MERCEDES	6174233211	1949604
MERCEDES	6174233211	1949609
MERCEDES	6174233311	1768202
MERCEDES	6174233410	1949502
MERCEDES	6174233410	1949507
MERCEDES	6174233410	1949511
MERCEDES	6174233410	1949500764
MERCEDES	6174233411	1949602
MERCEDES	6174233411	1949607
MERCEDES	6174233411	1949611
MERCEDES	6174233411	1949600764
MERCEDES	6174233911	1723802
MERCEDES	6174233911	1723806
MERCEDES	6174234011	1723804
MERCEDES	6174234310	1723802
MERCEDES	6174234310	1723806
MERCEDES	6174234311	1723802
MERCEDES	6174234311	1723806
MERCEDES	6174234410	1723804
MERCEDES	6174234411	1723804
MERCEDES	6174234710	1949402
MERCEDES	6174234710	1949407
MERCEDES	6174234711	1949402
MERCEDES	6174234711	1949407
MERCEDES	6174234811	1949404
MERCEDES	6174234811	1949409
MERCEDES	6174235110	1949502
MERCEDES	6174235110	1949507
MERCEDES	6174235110	1949511
MERCEDES	6174235110	1949500764
MERCEDES	6174235111	1949502
MERCEDES	6174235111	1949507
MERCEDES	6174235111	1949511
MERCEDES	6174235111	1949500764
MERCEDES	6174235310	1949505
MERCEDES	6174235510	1949602
MERCEDES	6174235510	1949607
MERCEDES	6174235510	1949611
MERCEDES	6174235510	1949600764
MERCEDES	6174235511	1949602
MERCEDES	6174235511	1949607
MERCEDES	6174235511	1949611
MERCEDES	6174235511	1949600764
MERCEDES	6174235610	1949604
MERCEDES	6174235610	1949609

MARQUE	REF OES	REFERENCE
MERCEDES	6174235710	1949605
MERCEDES	6174235710	1949610
MERCEDES	6174235711	1949605
MERCEDES	6174235711	1949610
MERCEDES	6174235911	1949502
MERCEDES	6174235911	1949507
MERCEDES	6174235911	1949511
MERCEDES	6174235911	1949500764
MERCEDES	6174236210	1949602
MERCEDES	6174236210	1949607
MERCEDES	6174236210	1949611
MERCEDES	6174236210	1949600764
MERCEDES	6174236310	1723802
MERCEDES	6174236310	1723806
MERCEDES	6174236311	1949502
MERCEDES	6174236311	1949507
MERCEDES	6174236311	1949511
MERCEDES	6174236311	1949500764
MERCEDES	6174236410	1723804
MERCEDES	6174236511	1949505
MERCEDES	6174236710	1949402
MERCEDES	6174236710	1949407
MERCEDES	6174237110	1949502
MERCEDES	6174237110	1949507
MERCEDES	6174237110	1949511
MERCEDES	6174237110	1949500764
MERCEDES	6174237111	1949502
MERCEDES	6174237111	1949507
MERCEDES	6174237111	1949511
MERCEDES	6174237111	1949500764
MERCEDES	6174237310	1949505
MERCEDES	6174237510	1949602
MERCEDES	6174237510	1949607
MERCEDES	6174237510	1949611
MERCEDES	6174237510	1949600764
MERCEDES	6174237610	1949604
MERCEDES	6174237610	1949609
MERCEDES	6174237710	1949605
MERCEDES	6174237710	1949610
MERCEDES	6174237910	1949602
MERCEDES	6174237910	1949607
MERCEDES	6174237910	1949611
MERCEDES	6174237910	1949600764
MERCEDES	6174238010	1949604
MERCEDES	6174238010	1949609
MERCEDES	6174238110	1949605
MERCEDES	6174238110	1949610
MERCEDES	6174238111	1723802
MERCEDES	6174238111	1723806

Les correspondances de références ont pour seul objectif d'aider la recherche de référence

Cross references are there for the sole purpose of helping the reference search



## CORRESPONDANCE DES REFERENCES CROSS REFERENCE LIST

MARQUE	REF OES	REFERENCE
MERCEDES	6174238211	1723802
MERCEDES	6174238211	1723806
MERCEDES	6174238310	1723802
MERCEDES	6174238310	1723806
MERCEDES	6174238410	1723804
MERCEDES	6174238710	1949402
MERCEDES	6174238710	1949407
MERCEDES	6174238911	17915001561
MERCEDES	6174239110	1949502
MERCEDES	6174239110	1949507
MERCEDES	6174239110	1949511
MERCEDES	6174239110	1949500764
MERCEDES	6174239210	1949504
MERCEDES	6174239210	1949509
MERCEDES	6174239310	1949505
MERCEDES	6174239311	1949502
MERCEDES	6174239311	1949507
MERCEDES	6174239311	1949511
MERCEDES	6174239311	1949500764
MERCEDES	6174239510	1949602
MERCEDES	6174239510	1949607
MERCEDES	6174239510	1949611
MERCEDES	6174239510	1949600764
MERCEDES	6174239610	1949604
MERCEDES	6174239610	1949609
MERCEDES	6174239710	1949605
MERCEDES	6174239710	1949610
MERCEDES	6174239911	1768202
MERCEDES	6179930610	RES009
MERCEDES	6179931110	RES009
MERCEDES	6204200119	MAC9496CAST
MERCEDES	6204200319	MAC9496CAST
MERCEDES	6204200519	MAC9496CAST
MERCEDES	6214210010	1949402
MERCEDES	6214210010	1949407
MERCEDES	6214210110	1949404
MERCEDES	6214210110	1949409
MERCEDES	6214210210	1949404
MERCEDES	6214210210	1949409
MERCEDES	6214210410	1949402
MERCEDES	6214210410	1949407
MERCEDES	6214210510	1949404
MERCEDES	6214210510	1949409
MERCEDES	6214210610	1949404
MERCEDES	6214210610	1949409
MERCEDES	6214210810	1949402
MERCEDES	6214210810	1949407
MERCEDES	6214210910	1949404
MERCEDES	6214210910	1949409

MARQUE	REF OES	REFERENCE
MERCEDES	6214211010	1949404
MERCEDES	6214211010	1949409
MERCEDES	6214230011	1949402
MERCEDES	6214230011	1949407
MERCEDES	6214230111	1949404
MERCEDES	6214230111	1949409
MERCEDES	6214230211	1949404
MERCEDES	6214230211	1949409
MERCEDES	6244200019	MAC9496CAST
MERCEDES	6244200219	MAC9496CAST
MERCEDES	6244200519	MAC9496CAST
MERCEDES	6244210201	TF1069
MERCEDES	6254200023	ECF003
MERCEDES	6504231310	1723802
MERCEDES	6504231310	1723806
MERCEDES	6504231410	1723804
MERCEDES	6524200019	MAC9496CAST
MERCEDES	6524230410	1723802
MERCEDES	6524230410	1723806
MERCEDES	6524231210	1949502
MERCEDES	6524231210	1949507
MERCEDES	6524231210	1949511
MERCEDES	6524231210	1949500764
MERCEDES	6524231410	1949505
MERCEDES	6524231610	1949602
MERCEDES	6524231610	1949607
MERCEDES	6524231610	1949611
MERCEDES	6524231610	1949600764
MERCEDES	6524231710	1949604
MERCEDES	6524231710	1949609
MERCEDES	6524231810	1949605
MERCEDES	6524231810	1949610
MERCEDES	6584210001	TF1069
MERCEDES	6594200419	MAC9496CAST
MERCEDES	6594200519	MAC9496CAST
MERCEDES	6594200619	MAC9495CAST
MERCEDES	6594202219	MAC9496CAST
MERCEDES	6594210010	1723802
MERCEDES	6594210010	1723806
MERCEDES	6594210110	1723804
MERCEDES	6594210410	1949402
MERCEDES	6594210410	1949407
MERCEDES	6594210810	1723802
MERCEDES	6594210810	1723806
MERCEDES	6594210910	1723804
MERCEDES	6594211210	1949402
MERCEDES	6594211210	1949407
MERCEDES	6594211610	1723802
MERCEDES	6594211610	1723806

Les correspondances de références ont pour seul objectif d'aider la recherche de référence

Cross references are there for the sole purpose of helping the reference search

## CORRESPONDANCE DES REFERENCES CROSS REFERENCE LIST

MARQUE	REF OES	REFERENCE
MERCEDES	6594211710	1723804
MERCEDES	6594212010	1949402
MERCEDES	6594212010	1949407
MERCEDES	6594230010	1949502
MERCEDES	6594230010	1949507
MERCEDES	6594230010	1949511
MERCEDES	6594230010	1949500764
MERCEDES	6594230108	MAC9496CAST
MERCEDES	6594230210	1949505
MERCEDES	6594230410	1949602
MERCEDES	6594230410	1949607
MERCEDES	6594230410	1949611
MERCEDES	6594230410	1949600764
MERCEDES	6594230810	1949502
MERCEDES	6594230810	1949507
MERCEDES	6594230810	1949511
MERCEDES	6594230810	1949500764
MERCEDES	6594230910	1949504
MERCEDES	6594230910	1949509
MERCEDES	6594231210	1949602
MERCEDES	6594231210	1949607
MERCEDES	6594231210	1949611
MERCEDES	6594231210	1949600764
MERCEDES	6594231610	1949502
MERCEDES	6594231610	1949507
MERCEDES	6594231610	1949511
MERCEDES	6594231610	1949500764
MERCEDES	6594231710	1949504
MERCEDES	6594231710	1949509
MERCEDES	6594232010	1949602
MERCEDES	6594232010	1949607
MERCEDES	6594232010	1949611
MERCEDES	6594232010	1949600764
MERCEDES	6594232110	1949604
MERCEDES	6594232110	1949609
MERCEDES	6594232120	1949604
MERCEDES	6594232120	1949609
MERCEDES	6594232210	1949605
MERCEDES	6594232210	1949610
MERCEDES	6594232310	1949502
MERCEDES	6594232310	1949507
MERCEDES	6594232310	1949511
MERCEDES	6594232310	1949500764
MERCEDES	6594232410	1949504
MERCEDES	6594232410	1949509
MERCEDES	6594232510	1949502
MERCEDES	6594232510	1949507
MERCEDES	6594232510	1949511
MERCEDES	6594232510	1949500764

MARQUE	REF OES	REFERENCE
MERCEDES	6594232710	1949502
MERCEDES	6594232710	1949507
MERCEDES	6594232710	1949511
MERCEDES	6594232710	1949500764
MERCEDES	6594232910	1949602
MERCEDES	6594232910	1949607
MERCEDES	6594232910	1949611
MERCEDES	6594232910	1949600764
MERCEDES	6594233610	1949604
MERCEDES	6594233610	1949609
MERCEDES	6594233710	1949602
MERCEDES	6594233710	1949607
MERCEDES	6594233710	1949611
MERCEDES	6594233710	1949600764
MERCEDES	6594233810	1949602
MERCEDES	6594233810	1949607
MERCEDES	6594233810	1949611
MERCEDES	6594233810	1949600764
MERCEDES	6594233910	1949602
MERCEDES	6594233910	1949607
MERCEDES	6594233910	1949611
MERCEDES	6594233910	1949600764
MERCEDES	6594234010	1949504
MERCEDES	6594234010	1949509
MERCEDES	6594234110	1949502
MERCEDES	6594234110	1949507
MERCEDES	6594234110	1949511
MERCEDES	6594234110	1949500764
MERCEDES	6674230110	1503003
MERCEDES	6674230210	1503002
MERCEDES	6674231410	1503002
MERCEDES	6674231510	1503003
MERCEDES	6674232910	1503002
MERCEDES	6674233010	1503003
MERCEDES	6674233310	1503002
MERCEDES	6674233410	1503003
MERCEDES	6684230010	1735103
MERCEDES	6684230110	1735104
MERCEDES	6684230810	1735003
MERCEDES	6684230910	1735004
MERCEDES	6684231610	1505900928
MERCEDES	6684232510	1735103
MERCEDES	6684232610	1735104
MERCEDES	6684232910	1735003
MERCEDES	6684233010	1735004
MERCEDES	6684233310	1505900928
MERCEDES	6684233710	1735103
MERCEDES	6684233810	1735104
MERCEDES	6684234110	1735003

Les correspondances de références ont pour seul objectif d'aider la recherche de référence

Cross references are there for the sole purpose of helping the reference search

## CORRESPONDANCE DES REFERENCES CROSS REFERENCE LIST

MARQUE	REF OES	REFERENCE
MERCEDES	6684234210	1735004
MERCEDES	6684234510	1505900928
MERCEDES	6684236210	1505900928
MERCEDES	6694230010	1735103
MERCEDES	6694230110	1735004
MERCEDES	6694230410	1735003
MERCEDES	6694230510	1735004
MERCEDES	6704231211	1735004
MERCEDES	6704231511	1735104
MERCEDES	6704232211	1735103
MERCEDES	6704232311	1735104
MERCEDES	6704232611	1735103
MERCEDES	6704232711	1735104
MERCEDES	6704233011	1735003
MERCEDES	6704233111	1735004
MERCEDES	6704233811	1505900928
MERCEDES	6704234211	1505900928
MERCEDES	6704234711	1735103
MERCEDES	6704234811	1735104
MERCEDES	6704235111	1735103
MERCEDES	6704235211	1735104
MERCEDES	6704235611	1505905928
MERCEDES	6704235711	1505915928
MERCEDES	6704235911	1735003
MERCEDES	6704236011	1735003
MERCEDES	6704236411	1735104
MERCEDES	6704236611	1735104
MERCEDES	6704236811	1505910928
MERCEDES	6704237111	1735103
MERCEDES	6704237611	1735104
MERCEDES	6704238210	1735103
MERCEDES	6704238310	1735104
MERCEDES	6704239010	1735003
MERCEDES	6704239110	1735004
MERCEDES	6704239810	1505900928
MERCEDES	6705400017	98016900
MERCEDES	6734200023	ECF010
MERCEDES	6734200123	ECF010
MERCEDES	6734200223	ECF010
MERCEDES	6734200323	ECF010
MERCEDES	6734210331	1728705
MERCEDES	6734210431	1728706
MERCEDES	6734210731	1728006
MERCEDES	6734210831	1728007
MERCEDES	6734211131	1727806
MERCEDES	6734211231	1727807
MERCEDES	6734211531	1516203
MERCEDES	6734211931	1516203
MERCEDES	6734212331	1727806

MARQUE	REF OES	REFERENCE
MERCEDES	6734212431	1727807
MERCEDES	6734212731	1728006
MERCEDES	6734212831	1728007
MERCEDES	6734213131	1728705
MERCEDES	6734213231	1728706
MERCEDES	6734213531	1728006
MERCEDES	6734213631	1728006
MERCEDES	6734213931	1950505
MERCEDES	6734214031	1950506
MERCEDES	6734214331	1950505
MERCEDES	6734214410	1516203
MERCEDES	6734214430	1728006
MERCEDES	6734214431	1950506
MERCEDES	6734215810	1728705
MERCEDES	6734215830	1516203
MERCEDES	6734215910	1728706
MERCEDES	6734216210	1728006
MERCEDES	6734216230	1728006
MERCEDES	6734216310	1728007
MERCEDES	6734216610	1727806
MERCEDES	6734216710	1727807
MERCEDES	6734217010	1516203
MERCEDES	6734217610	1728705
MERCEDES	6734217710	1728706
MERCEDES	6734218010	1728006
MERCEDES	6734218130	1728705
MERCEDES	6734218330	1728006
MERCEDES	6734218410	1727806
MERCEDES	6734218510	1727807
MERCEDES	6734218530	1728006
MERCEDES	6734218810	1516203
MERCEDES	6734218830	1727807
MERCEDES	6734219430	1728705
MERCEDES	6734219530	1728706
MERCEDES	6734219810	1727806
MERCEDES	6734219830	1727806
MERCEDES	6734219930	1727807
MERCEDES	6744210030	1729006
MERCEDES	6744210130	1729006
MERCEDES	6744210230	1729007
MERCEDES	6744210830	1729006
MERCEDES	6744210930	1729006
MERCEDES	6744211030	1729007
MERCEDES	6744211230	1728705
MERCEDES	6744211330	1728706
MERCEDES	6744211630	1728006
MERCEDES	6744211730	1728007
MERCEDES	6744212030	1727806
MERCEDES	6744212130	1727807

Les correspondances de références ont pour seul objectif d'aider la recherche de référence

Cross references are there for the sole purpose of helping the reference search



## CORRESPONDANCE DES REFERENCES CROSS REFERENCE LIST

MARQUE	REF OES	REFERENCE
MERCEDES	6744212430	1516203
MERCEDES	6744212830	1728705
MERCEDES	6744212930	1728706
MERCEDES	6744213230	1728006
MERCEDES	6744213330	1728007
MERCEDES	6744213630	1727806
MERCEDES	6744213730	1727807
MERCEDES	6744214030	1516203
MERCEDES	6744214430	1728705
MERCEDES	6744214530	1728706
MERCEDES	6744214830	1728006
MERCEDES	6744214930	1728007
MERCEDES	6744215230	1727806
MERCEDES	6744215330	1727807
MERCEDES	6744215630	1516203
MERCEDES	6744219810	1727806
MERCEDES	6744219910	1727807
MERCEDES	6754210430	1729006
MERCEDES	6754210830	1950607
MERCEDES	6754210930	1950608
MERCEDES	6754211730	1729006
MERCEDES	6754211830	1729007
MERCEDES	6754212130	1950607
MERCEDES	6754212230	1950608
MERCEDES	6754212530	1950607
MERCEDES	6754212630	1950608
MERCEDES	6754212930	1950505
MERCEDES	6754213030	1950506
MERCEDES	6754213330	1950505
MERCEDES	6754213430	1950506
MERCEDES	6754213730	1729006
MERCEDES	6754213810	1729006
MERCEDES	6754213830	1729007
MERCEDES	6754214010	1729007
MERCEDES	6754214130	1950607
MERCEDES	6754214230	1950608
MERCEDES	6754214510	1950607
MERCEDES	6754214530	1950505
MERCEDES	6754214610	1950607
MERCEDES	6754214630	1950506
MERCEDES	6754214710	1950608
MERCEDES	6754214810	1950608
MERCEDES	6754216210	1729006
MERCEDES	6754216410	1729007
MERCEDES	6754216810	1950607
MERCEDES	6754216910	1950607
MERCEDES	6754217010	1950607
MERCEDES	6754217110	1950608
MERCEDES	6754217210	1950608

MARQUE	REF OES	REFERENCE
MERCEDES	6754218010	1950505
MERCEDES	6754218110	1950505
MERCEDES	6754218210	1950506
MERCEDES	6754218310	1950506
MERCEDES	6754218810	1950505
MERCEDES	6754218910	1950505
MERCEDES	6754219010	1950506
MERCEDES	6754219110	1950506
MERCEDES	6754219610	1950505
MERCEDES	6754219710	1950506
MERCEDES	6764210010	1729006
MERCEDES	6764210110	1729007
MERCEDES	6764210410	1950607
MERCEDES	6764210510	1950608
MERCEDES	6764210810	1950505
MERCEDES	6764210910	1950506
MERCEDES	6764211210	1729006
MERCEDES	6764211310	1729007
MERCEDES	6764211610	1950607
MERCEDES	6764211710	1950608
MERCEDES	6764212010	1950505
MERCEDES	6764212110	1950506
MERCEDES	6764212410	1729006
MERCEDES	6764212510	1729007
MERCEDES	6764212810	1950607
MERCEDES	6764212910	1950608
MERCEDES	6764213210	1950505
MERCEDES	6764213310	1950506
MERCEDES	6764214010	1729006
MERCEDES	6764214410	1729006
MERCEDES	6764214510	1729007
MERCEDES	6764214910	1950608
MERCEDES	6764215210	1729006
MERCEDES	6774200023	ECF010
MERCEDES	6774200123	ECF010
MERCEDES	6775400717	98017002
MERCEDES	6775400717	W0195ME
MERCEDES	6775400817	98017102
MERCEDES	6775400817	W0199ME
MERCEDES	6864210001	TF1069
MERCEDES	6864230001	TF1042
MERCEDES	9459930010	RES013
MERCEDES	617423133067	1949502
MERCEDES	617423133067	1949507
MERCEDES	617423133067	1949511
MERCEDES	617423133067	1949500764
MERCEDES	617423133068	1949502
MERCEDES	617423133068	1949507
MERCEDES	617423133068	1949511

Les correspondances de références ont pour seul objectif d'aider la recherche de référence

Cross references are there for the sole purpose of helping the reference search



## CORRESPONDANCE DES REFERENCES CROSS REFERENCE LIST

MARQUE	REF OES	REFERENCE
MERCEDES	617423133068	<b>1949500764</b>
MERCEDES	617423223067	<b>1723802</b>
MERCEDES	617423223067	<b>1723806</b>
MERCEDES	621421081068	<b>1949402</b>
MERCEDES	621421081068	<b>1949407</b>
MERCEDES	A0004208738	<b>ECF007</b>
MERCEDES	A0004210131	<b>1969901</b>
MERCEDES	A0004210131	<b>1969903</b>
MERCEDES	A0004210131	<b>1969905</b>
MERCEDES	A00042111530	<b>1949507</b>
MERCEDES	A00042111530	<b>1949511</b>
MERCEDES	A0004211530	<b>1949502</b>
MERCEDES	A0004211530	<b>1949507</b>
MERCEDES	A0004211530	<b>1949511</b>
MERCEDES	A0004211530	<b>1949500764</b>
MERCEDES	A0004211630	<b>1949504</b>
MERCEDES	A0004211630	<b>1949509</b>
MERCEDES	A0004230523	<b>1949602</b>
MERCEDES	A0004230523	<b>1949600764</b>
MERCEDES	A0004230530	<b>1949602</b>
MERCEDES	A0004230530	<b>1949607</b>
MERCEDES	A0004230530	<b>1949611</b>
MERCEDES	A0004230530	<b>1949600764</b>
MERCEDES	A0004230630	<b>1949604</b>
MERCEDES	A0004230630	<b>1949609</b>
MERCEDES	A0035401217	<b>98016800</b>
MERCEDES	A0035401217	<b>W0220ME</b>
MERCEDES	A0042111530	<b>1949502</b>
MERCEDES	A0042111530	<b>1949500764</b>
MERCEDES	A0044201920	<b>1302001</b>
MERCEDES	A0054208118	<b>CR0581</b>
MERCEDES	A0084202418	<b>CR0748</b>
MERCEDES	A0084204218	<b>CR0581</b>
MERCEDES	A035401217	<b>W0220ME</b>
MERCEDES	A3014210901	<b>TF1069</b>
MERCEDES	A3014211301	<b>TF1069</b>
MERCEDES	A3014211510	<b>1970601</b>
MERCEDES	A3014211510	<b>1970603</b>
MERCEDES	A3014211510	<b>1970612</b>
MERCEDES	A3014218810	<b>1779501</b>
MERCEDES	A3014234910	<b>1970613</b>
MERCEDES	A3014234910	<b>1970618</b>
MERCEDES	A3014235210	<b>1970613</b>
MERCEDES	A3014235210	<b>1970618</b>
MERCEDES	A3014236110	<b>1970702</b>
MERCEDES	A3014236110	<b>1970715</b>
MERCEDES	A3014236410	<b>1970702</b>
MERCEDES	A3014236410	<b>1970715</b>
MERCEDES	A3014237010	<b>1970601</b>

MARQUE	REF OES	REFERENCE
MERCEDES	A3014237010	<b>1970603</b>
MERCEDES	A3014237010	<b>1970612</b>
MERCEDES	A3014237110	<b>1970613</b>
MERCEDES	A3014237110	<b>1970618</b>
MERCEDES	A3014237910	<b>1970701</b>
MERCEDES	A3014237910	<b>1970705</b>
MERCEDES	A3014237910	<b>1970714</b>
MERCEDES	A3014238010	<b>1970702</b>
MERCEDES	A3014238010	<b>1970715</b>
MERCEDES	A3024232710	<b>19466xx</b>
MERCEDES	A3024233010	<b>19466xx</b>
MERCEDES	A3054210010	<b>1949402</b>
MERCEDES	A3054210010	<b>1949407</b>
MERCEDES	A3054230201	<b>TF1042</b>
MERCEDES	A3054230301	<b>TF1042</b>
MERCEDES	A3054230310	<b>1949602</b>
MERCEDES	A3054230310	<b>1949607</b>
MERCEDES	A3054230310	<b>1949611</b>
MERCEDES	A3054230310	<b>1949600764</b>
MERCEDES	A3054230401	<b>TF1042</b>
MERCEDES	A3054230610	<b>19466xx</b>
MERCEDES	A3054230910	<b>1949602</b>
MERCEDES	A3054230910	<b>1949607</b>
MERCEDES	A3054230910	<b>1949611</b>
MERCEDES	A3054230910	<b>1949600764</b>
MERCEDES	A3054231210	<b>19466xx</b>
MERCEDES	A3074200339	<b>KRG001</b>
MERCEDES	A3074204002	<b>APF002</b>
MERCEDES	A3094210410	<b>1534906</b>
MERCEDES	A3094210510	<b>1534907</b>
MERCEDES	A3094210710	<b>1534906</b>
MERCEDES	A3094210810	<b>1534907</b>
MERCEDES	A3094214910	<b>1534906</b>
MERCEDES	A3094215210	<b>1558008</b>
MERCEDES	A3094216710	<b>1534906</b>
MERCEDES	A3103251300	<b>15057xx</b>
MERCEDES	A3104213310	<b>1558008</b>
MERCEDES	A3104214410	<b>1558008</b>
MERCEDES	A3104215110	<b>15057xx</b>
MERCEDES	A3144210510	<b>15057xx</b>
MERCEDES	A3164211910	<b>1740909</b>
MERCEDES	A3164212310	<b>1740909</b>
MERCEDES	A3164212410	<b>1740909</b>
MERCEDES	A3164212510	<b>1740909</b>
MERCEDES	A3174215610	<b>19125xx</b>
MERCEDES	A3174232510	<b>19466xx</b>
MERCEDES	A3174232810	<b>19466xx</b>
MERCEDES	A3174233210	<b>19466xx</b>
MERCEDES	A3174233510	<b>19466xx</b>

Les correspondances de références ont pour seul objectif d'aider la recherche de référence

Cross references are there for the sole purpose of helping the reference search

## CORRESPONDANCE DES REFERENCES CROSS REFERENCE LIST

MARQUE	REF OES	REFERENCE
MERCEDES	A3174235010	19466xx
MERCEDES	A3184211910	1740909
MERCEDES	A3244210610	15057xx
MERCEDES	A3244211010	15057xx
MERCEDES	A3244211410	15057xx
MERCEDES	A3254211110	1727601
MERCEDES	A3354200220	1727601
MERCEDES	A3354202920	1727601
MERCEDES	A3354210010	1727601
MERCEDES	A3354210110	1727601
MERCEDES	A3354210410	1727601
MERCEDES	A3354210510	1727601
MERCEDES	A3354211110	1727601
MERCEDES	A3354211510	1727601
MERCEDES	A3354211910	1727601
MERCEDES	A3354212710	1727601
MERCEDES	A3414234110	1729800298
MERCEDES	A3464210010	1723802
MERCEDES	A3464210010	1723806
MERCEDES	A3464210110	1723804
MERCEDES	A3464213106	SUP007
MERCEDES	A3464230010	1949502
MERCEDES	A3464230010	1949507
MERCEDES	A3464230010	1949511
MERCEDES	A3464230010	1949500764
MERCEDES	A3464230310	1949402
MERCEDES	A3464230310	1949407
MERCEDES	A3464230610	1949502
MERCEDES	A3464230610	1949507
MERCEDES	A3464230610	1949511
MERCEDES	A3464230610	1949500764
MERCEDES	A3464230706	SUP006
MERCEDES	A3464230906	SUP006
MERCEDES	A3464230910	1949502
MERCEDES	A3464230910	1949507
MERCEDES	A3464230910	1949511
MERCEDES	A3464230910	1949500764
MERCEDES	A3464231210	1949402
MERCEDES	A3464231210	1949404
MERCEDES	A3464231210	1949407
MERCEDES	A3464231910	1723802
MERCEDES	A3464231910	1723806
MERCEDES	A3464232010	1723804
MERCEDES	A3464232210	1723802
MERCEDES	A3464232210	1723806
MERCEDES	A3464232310	1723804
MERCEDES	A3464232510	1723802
MERCEDES	A3464232510	1723806
MERCEDES	A3464232610	1723804

MARQUE	REF OES	REFERENCE
MERCEDES	A3464232810	1949502
MERCEDES	A3464232810	1949507
MERCEDES	A3464232810	1949511
MERCEDES	A3464232810	1949500764
MERCEDES	A3464233110	1949402
MERCEDES	A3464233110	1949407
MERCEDES	A3464233410	1949502
MERCEDES	A3464233410	1949507
MERCEDES	A3464233410	1949511
MERCEDES	A3464233410	1949500764
MERCEDES	A3464233710	1949402
MERCEDES	A3464233710	1949407
MERCEDES	A3464234010	1949402
MERCEDES	A3464234010	1949407
MERCEDES	A3464234110	1723802
MERCEDES	A3464234110	1723806
MERCEDES	A3464234210	1723804
MERCEDES	A3464234310	1723802
MERCEDES	A3464234310	1723806
MERCEDES	A3464234610	1723802
MERCEDES	A3464234610	1723806
MERCEDES	A3464234810	1949502
MERCEDES	A3464234810	1949507
MERCEDES	A3464234810	1949511
MERCEDES	A3464234810	1949500764
MERCEDES	A3464235510	1723802
MERCEDES	A3464235510	1723806
MERCEDES	A3464235710	1949502
MERCEDES	A3464235710	1949507
MERCEDES	A3464235710	1949511
MERCEDES	A3464235710	1949500764
MERCEDES	A3464235810	1949404
MERCEDES	A3464236710	1723802
MERCEDES	A3464236710	1723806
MERCEDES	A3464239410	1723802
MERCEDES	A3464239410	1723806
MERCEDES	A3464239510	1723802
MERCEDES	A3464239510	1723806
MERCEDES	A3464239610	1949502
MERCEDES	A3464239610	1949507
MERCEDES	A3464239610	1949511
MERCEDES	A3464239610	1949500764
MERCEDES	A3464239710	1949502
MERCEDES	A3464239710	1949507
MERCEDES	A3464239710	1949511
MERCEDES	A3464239710	1949500764
MERCEDES	A3469930110	RES008
MERCEDES	A3469930210	RES009
MERCEDES	A3469930310	RES008

Les correspondances de références ont pour seul objectif d'aider la recherche de référence

Cross references are there for the sole purpose of helping the reference search

## CORRESPONDANCE DES REFERENCES CROSS REFERENCE LIST

MARQUE	REF OES	REFERENCE
MERCEDES	A3469930610	<b>RES008</b>
MERCEDES	A3469930810	<b>RES007</b>
MERCEDES	A3494210010	<b>1727601</b>
MERCEDES	A3494210310	<b>1727601</b>
MERCEDES	A3494210610	<b>1727601</b>
MERCEDES	A3494210910	<b>1727601</b>
MERCEDES	A3494211010	<b>1727601</b>
MERCEDES	A3494211210	<b>1727601</b>
MERCEDES	A3524210010	<b>1768202</b>
MERCEDES	A3524210110	<b>17682101561</b>
MERCEDES	A3524210310	<b>1768202</b>
MERCEDES	A3524210410	<b>17682101561</b>
MERCEDES	A3534230610	<b>1768202</b>
MERCEDES	A3534230710	<b>17682101561</b>
MERCEDES	A3534231210	<b>1768202</b>
MERCEDES	A3534231310	<b>17682101561</b>
MERCEDES	A3534232110	<b>1773900934</b>
MERCEDES	A3534233410	<b>1729700928</b>
MERCEDES	A3534233410	<b>17297xx</b>
MERCEDES	A3554230801	<b>TF1042</b>
MERCEDES	A3554233410	<b>19125xx</b>
MERCEDES	A3574211310	<b>1970613</b>
MERCEDES	A3574211310	<b>1970618</b>
MERCEDES	A3574211410	<b>1970613</b>
MERCEDES	A3574211410	<b>1970618</b>
MERCEDES	A3574212210	<b>1779501</b>
MERCEDES	A3574230111	<b>1970701</b>
MERCEDES	A3574230111	<b>1970705</b>
MERCEDES	A3574230111	<b>1970714</b>
MERCEDES	A3574230211	<b>1970702</b>
MERCEDES	A3574230211	<b>1970715</b>
MERCEDES	A3574230411	<b>1970601</b>
MERCEDES	A3574230411	<b>1970603</b>
MERCEDES	A3574230411	<b>1970612</b>
MERCEDES	A3574230511	<b>1970613</b>
MERCEDES	A3574230511	<b>1970618</b>
MERCEDES	A3574230710	<b>1970613</b>
MERCEDES	A3574230710	<b>1970618</b>
MERCEDES	A3574231010	<b>1970613</b>
MERCEDES	A3574231010	<b>1970618</b>
MERCEDES	A3574231011	<b>1970702</b>
MERCEDES	A3574231011	<b>1970715</b>
MERCEDES	A3574231310	<b>1970702</b>
MERCEDES	A3574231310	<b>1970715</b>
MERCEDES	A3574231610	<b>1970702</b>
MERCEDES	A3574231610	<b>1970715</b>
MERCEDES	A3574231911	<b>1970613</b>
MERCEDES	A3574231911	<b>1970618</b>
MERCEDES	A3574232211	<b>1970702</b>

MARQUE	REF OES	REFERENCE
MERCEDES	A3574232211	<b>1970715</b>
MERCEDES	A3574233510	<b>1970701</b>
MERCEDES	A3574233510	<b>1970705</b>
MERCEDES	A3574233510	<b>1970714</b>
MERCEDES	A3574233610	<b>1970702</b>
MERCEDES	A3574233610	<b>1970715</b>
MERCEDES	A3574234710	<b>1970601</b>
MERCEDES	A3574234710	<b>1970603</b>
MERCEDES	A3574234710	<b>1970612</b>
MERCEDES	A3574234810	<b>1970613</b>
MERCEDES	A3574234810	<b>1970618</b>
MERCEDES	A3574235810	<b>1970613</b>
MERCEDES	A3574235810	<b>1970618</b>
MERCEDES	A3574236110	<b>1970614</b>
MERCEDES	A3574236110	<b>1970618</b>
MERCEDES	A3574237010	<b>1970702</b>
MERCEDES	A3574237010	<b>1970715</b>
MERCEDES	A3574237310	<b>1970702</b>
MERCEDES	A3574237310	<b>1970715</b>
MERCEDES	A3574238310	<b>1970615</b>
MERCEDES	A3574238310	<b>1970618</b>
MERCEDES	A3574238610	<b>1970616</b>
MERCEDES	A3574238610	<b>1970618</b>
MERCEDES	A3574239510	<b>1970702</b>
MERCEDES	A3574239510	<b>1970715</b>
MERCEDES	A3574239810	<b>1970702</b>
MERCEDES	A3574239810	<b>1970715</b>
MERCEDES	A3604210910	<b>1723802</b>
MERCEDES	A3604210910	<b>1723806</b>
MERCEDES	A3604211010	<b>1723804</b>
MERCEDES	A3604211210	<b>1723802</b>
MERCEDES	A3604211210	<b>1723806</b>
MERCEDES	A3604211310	<b>1723804</b>
MERCEDES	A3604211610	<b>1723802</b>
MERCEDES	A3604211610	<b>1723806</b>
MERCEDES	A3604230410	<b>1949402</b>
MERCEDES	A3604230410	<b>1949407</b>
MERCEDES	A3604230710	<b>1949402</b>
MERCEDES	A3604230710	<b>1949407</b>
MERCEDES	A3604231010	<b>1723802</b>
MERCEDES	A3604231010	<b>1723806</b>
MERCEDES	A3604231110	<b>1723804</b>
MERCEDES	A3604231910	<b>1949404</b>
MERCEDES	A3604232310	<b>1723802</b>
MERCEDES	A3604232310	<b>1723806</b>
MERCEDES	A3604232510	<b>1773900934</b>
MERCEDES	A3814210010	<b>1768202</b>
MERCEDES	A3814210110	<b>1768202</b>
MERCEDES	A3814210210	<b>17682101561</b>

Les correspondances de références ont pour seul objectif d'aider la recherche de référence

Cross references are there for the sole purpose of helping the reference search



## CORRESPONDANCE DES REFERENCES CROSS REFERENCE LIST

MARQUE	REF OES	REFERENCE
MERCEDES	A3814232610	<b>1723804</b>
MERCEDES	A3834210610	<b>1768202</b>
MERCEDES	A3834210710	<b>17682101561</b>
MERCEDES	A3834210910	<b>1768202</b>
MERCEDES	A3834211010	<b>17682101561</b>
MERCEDES	A3834211210	<b>1773900934</b>
MERCEDES	A3834211310	<b>1773900934</b>
MERCEDES	A3834212810	<b>1723802</b>
MERCEDES	A3834212810	<b>1723806</b>
MERCEDES	A3834212910	<b>1723802</b>
MERCEDES	A3834212910	<b>1723806</b>
MERCEDES	A3834213010	<b>1723804</b>
MERCEDES	A3834231210	<b>1773900934</b>
MERCEDES	A3834231310	<b>1773900934</b>
MERCEDES	A3854210010	<b>1949402</b>
MERCEDES	A3854210010	<b>1949407</b>
MERCEDES	A3854210310	<b>1949402</b>
MERCEDES	A3854210310	<b>1949407</b>
MERCEDES	A3854211310	<b>1723804</b>
MERCEDES	A3854230110	<b>1723802</b>
MERCEDES	A3854230110	<b>1723806</b>
MERCEDES	A3854230210	<b>1723804</b>
MERCEDES	A3854230410	<b>1723802</b>
MERCEDES	A3854230410	<b>1723806</b>
MERCEDES	A3854230510	<b>1723804</b>
MERCEDES	A3854230710	<b>1723802</b>
MERCEDES	A3854230710	<b>1723806</b>
MERCEDES	A3854230810	<b>1723802</b>
MERCEDES	A3854230810	<b>1723806</b>
MERCEDES	A3854231210	<b>1723802</b>
MERCEDES	A3854231210	<b>1723806</b>
MERCEDES	A3854231310	<b>1949402</b>
MERCEDES	A3854231310	<b>1949407</b>
MERCEDES	A3854231410	<b>1949402</b>
MERCEDES	A3854231410	<b>1949407</b>
MERCEDES	A3854231510	<b>1949404</b>
MERCEDES	A3864230006	<b>SUP006</b>
MERCEDES	A3889937110	<b>RES009</b>
MERCEDES	A3934210006	<b>SUP007</b>
MERCEDES	A3954200082	<b>APF002</b>
MERCEDES	A3955860242	<b>APF002</b>
MERCEDES	A4034200339	<b>KRG001</b>
MERCEDES	A4074210110	<b>15748001549</b>
MERCEDES	A4164212510	<b>1530000</b>
MERCEDES	A4214210410	<b>15748001549</b>
MERCEDES	A4214210710	<b>15748001549</b>
MERCEDES	A4614200020	<b>1302001</b>
MERCEDES	A4634201220	<b>1503002</b>
MERCEDES	A4634230110	<b>1302001</b>

MARQUE	REF OES	REFERENCE
MERCEDES	A4634230210	<b>1503002</b>
MERCEDES	A4634230310	<b>1503003</b>
MERCEDES	A4884210010	<b>1723802</b>
MERCEDES	A4884210010	<b>1723806</b>
MERCEDES	A4884210110	<b>1723804</b>
MERCEDES	A4974210010	<b>1723802</b>
MERCEDES	A4974210010	<b>1723806</b>
MERCEDES	A4974210110	<b>1723804</b>
MERCEDES	A6014231710	<b>1101901</b>
MERCEDES	A6014232110	<b>1101901</b>
MERCEDES	A6014232610	<b>1101901</b>
MERCEDES	A6014234410	<b>1101901</b>
MERCEDES	A6014234810	<b>1101901</b>
MERCEDES	A6014235310	<b>1101901</b>
MERCEDES	A6014235410	<b>1101901</b>
MERCEDES	A6014236010	<b>1101901</b>
MERCEDES	A6014236110	<b>1101901</b>
MERCEDES	A6014236810	<b>1101901</b>
MERCEDES	A6014236910	<b>1101901</b>
MERCEDES	A6014300922	<b>1101901</b>
MERCEDES	A6015400617	<b>98016800</b>
MERCEDES	A6015400617	<b>W0220ME</b>
MERCEDES	A6024231210	<b>1302001</b>
MERCEDES	A6024231710	<b>1302001</b>
MERCEDES	A6024231810	<b>1302002</b>
MERCEDES	A6024232610	<b>1302001</b>
MERCEDES	A6024232710	<b>1302002</b>
MERCEDES	A6024233010	<b>1302001</b>
MERCEDES	A6024233110	<b>1302002</b>
MERCEDES	A6024233510	<b>1302001</b>
MERCEDES	A6024233610	<b>1302002</b>
MERCEDES	A6024233910	<b>1302001</b>
MERCEDES	A6024234010	<b>1302002</b>
MERCEDES	A6024234410	<b>1302001</b>
MERCEDES	A6024234510	<b>1302002</b>
MERCEDES	A6024234810	<b>1302001</b>
MERCEDES	A6024234910	<b>1302002</b>
MERCEDES	A6024236010	<b>1302001</b>
MERCEDES	A6024236110	<b>1302002</b>
MERCEDES	A6024236410	<b>1302001</b>
MERCEDES	A6024236510	<b>1302002</b>
MERCEDES	A6114209020	<b>1503002</b>
MERCEDES	A6114231010	<b>1503002</b>
MERCEDES	A6114231110	<b>1503003</b>
MERCEDES	A6114231410	<b>1503002</b>
MERCEDES	A6114231510	<b>1503003</b>
MERCEDES	A6114231810	<b>1503002</b>
MERCEDES	A6114231910	<b>1503003</b>
MERCEDES	A6114232210	<b>1503002</b>

Les correspondances de références ont pour seul objectif d'aider la recherche de référence

Cross references are there for the sole purpose of helping the reference search



## CORRESPONDANCE DES REFERENCES CROSS REFERENCE LIST

MARQUE	REF OES	REFERENCE
MERCEDES	A6114232310	1503003
MERCEDES	A6114232510	1503002
MERCEDES	A6114233010	1503003
MERCEDES	A6174210010	1773900934
MERCEDES	A6174210410	1949402
MERCEDES	A6174210410	1949407
MERCEDES	A6174210910	1773900934
MERCEDES	A6174211210	1768202
MERCEDES	A6174211310	17682101561
MERCEDES	A6174211610	1768202
MERCEDES	A6174211710	17682101561
MERCEDES	A6174230011	17682101561
MERCEDES	A6174230030	1949602
MERCEDES	A6174230030	1949607
MERCEDES	A6174230030	1949611
MERCEDES	A6174230030	1949600764
MERCEDES	A6174230310	1949502
MERCEDES	A6174230310	1949507
MERCEDES	A6174230310	1949511
MERCEDES	A6174230310	1949500764
MERCEDES	A6174230311	1723802
MERCEDES	A6174230311	1723806
MERCEDES	A6174230411	1723804
MERCEDES	A6174230530	1949602
MERCEDES	A6174230530	1949607
MERCEDES	A6174230530	1949611
MERCEDES	A6174230530	1949600764
MERCEDES	A6174230630	1949604
MERCEDES	A6174230630	1949609
MERCEDES	A6174230711	1949402
MERCEDES	A6174230711	1949407
MERCEDES	A6174230910	1723802
MERCEDES	A6174230910	1723806
MERCEDES	A6174231111	1949502
MERCEDES	A6174231111	1949507
MERCEDES	A6174231111	1949511
MERCEDES	A6174231111	1949500764
MERCEDES	A6174231330	1949502
MERCEDES	A6174231330	1949507
MERCEDES	A6174231330	1949511
MERCEDES	A6174231330	1949500764
MERCEDES	A617423133067	1949502
MERCEDES	A617423133067	1949507
MERCEDES	A617423133067	1949511
MERCEDES	A617423133067	1949500764
MERCEDES	A617423133068	1949502
MERCEDES	A617423133068	1949507
MERCEDES	A617423133068	1949511
MERCEDES	A617423133068	1949500764

MARQUE	REF OES	REFERENCE
MERCEDES	A6174231430	1949504
MERCEDES	A6174231430	1949509
MERCEDES	A6174231511	1949502
MERCEDES	A6174231511	1949507
MERCEDES	A6174231511	1949511
MERCEDES	A6174231511	1949500764
MERCEDES	A6174231710	1949502
MERCEDES	A6174231710	1949507
MERCEDES	A6174231710	1949511
MERCEDES	A6174231710	1949500764
MERCEDES	A6174231730	1949402
MERCEDES	A6174231730	1949407
MERCEDES	A6174231810	1949504
MERCEDES	A6174231810	1949509
MERCEDES	A6174231830	1949404
MERCEDES	A6174231911	1949402
MERCEDES	A6174231911	1949407
MERCEDES	A6174231930	1949404
MERCEDES	A6174231930	1949409
MERCEDES	A6174232011	1949404
MERCEDES	A6174232130	1723802
MERCEDES	A6174232130	1723806
MERCEDES	A6174232210	1768202
MERCEDES	A6174232230	1723804
MERCEDES	A617423223067	1723802
MERCEDES	A617423223067	1723806
MERCEDES	A6174232310	17682101561
MERCEDES	A6174232311	1949502
MERCEDES	A6174232311	1949507
MERCEDES	A6174232311	1949511
MERCEDES	A6174232311	1949500764
MERCEDES	A6174232530	1723802
MERCEDES	A6174232530	1723806
MERCEDES	A6174232610	1723802
MERCEDES	A6174232610	1723806
MERCEDES	A6174232630	1723804
MERCEDES	A6174232710	1723804
MERCEDES	A6174232711	1949502
MERCEDES	A6174232711	1949507
MERCEDES	A6174232711	1949511
MERCEDES	A6174232711	1949500764
MERCEDES	A6174233010	1949402
MERCEDES	A6174233010	1949407
MERCEDES	A6174233110	1949404
MERCEDES	A6174233111	1949602
MERCEDES	A6174233111	1949607
MERCEDES	A6174233111	1949611
MERCEDES	A6174233111	1949600764
MERCEDES	A6174233311	1768202

Les correspondances de références ont pour seul objectif d'aider la recherche de référence

Cross references are there for the sole purpose of helping the reference search

## CORRESPONDANCE DES REFERENCES CROSS REFERENCE LIST

MARQUE	REF OES	REFERENCE
MERCEDES	A6174233410	1949502
MERCEDES	A6174233410	1949507
MERCEDES	A6174233410	1949511
MERCEDES	A6174233410	1949500764
MERCEDES	A6174233411	1949602
MERCEDES	A6174233411	1949607
MERCEDES	A6174233411	1949611
MERCEDES	A6174233411	1949600764
MERCEDES	A6174233911	1723802
MERCEDES	A6174233911	1723806
MERCEDES	A6174234011	1723804
MERCEDES	A6174234310	1723802
MERCEDES	A6174234310	1723806
MERCEDES	A6174234311	1723802
MERCEDES	A6174234311	1723806
MERCEDES	A6174234410	1723804
MERCEDES	A6174234411	1723804
MERCEDES	A6174234710	1949402
MERCEDES	A6174234710	1949407
MERCEDES	A6174234711	1949402
MERCEDES	A6174234711	1949407
MERCEDES	A6174234811	1949404
MERCEDES	A6174235110	1949502
MERCEDES	A6174235110	1949507
MERCEDES	A6174235110	1949511
MERCEDES	A6174235110	1949500764
MERCEDES	A6174235111	1949502
MERCEDES	A6174235111	1949507
MERCEDES	A6174235111	1949511
MERCEDES	A6174235111	1949500764
MERCEDES	A6174235510	1949602
MERCEDES	A6174235510	1949607
MERCEDES	A6174235510	1949611
MERCEDES	A6174235510	1949600764
MERCEDES	A6174235511	1949602
MERCEDES	A6174235511	1949607
MERCEDES	A6174235511	1949611
MERCEDES	A6174235511	1949600764
MERCEDES	A6174235911	1949502
MERCEDES	A6174235911	1949507
MERCEDES	A6174235911	1949511
MERCEDES	A6174235911	1949500764
MERCEDES	A6174236210	1949602
MERCEDES	A6174236210	1949607
MERCEDES	A6174236210	1949611
MERCEDES	A6174236210	1949600764
MERCEDES	A6174236310	1723802
MERCEDES	A6174236310	1723806
MERCEDES	A6174236311	1949502

MARQUE	REF OES	REFERENCE
MERCEDES	A6174236311	1949507
MERCEDES	A6174236311	1949511
MERCEDES	A6174236311	1949500764
MERCEDES	A6174236410	1723804
MERCEDES	A6174236710	1949402
MERCEDES	A6174236710	1949407
MERCEDES	A6174237110	1949502
MERCEDES	A6174237110	1949507
MERCEDES	A6174237110	1949511
MERCEDES	A6174237110	1949500764
MERCEDES	A6174237111	1949502
MERCEDES	A6174237111	1949507
MERCEDES	A6174237111	1949511
MERCEDES	A6174237111	1949500764
MERCEDES	A6174237510	1949602
MERCEDES	A6174237510	1949607
MERCEDES	A6174237510	1949611
MERCEDES	A6174237510	1949600764
MERCEDES	A6174237910	1949602
MERCEDES	A6174237910	1949607
MERCEDES	A6174237910	1949611
MERCEDES	A6174237910	1949600764
MERCEDES	A6174238111	1723802
MERCEDES	A6174238111	1723806
MERCEDES	A6174238211	1723802
MERCEDES	A6174238211	1723806
MERCEDES	A6174238310	1723802
MERCEDES	A6174238310	1723806
MERCEDES	A6174238410	1723804
MERCEDES	A6174238710	1949402
MERCEDES	A6174238710	1949407
MERCEDES	A6174238911	17915001561
MERCEDES	A6174239110	1949502
MERCEDES	A6174239110	1949507
MERCEDES	A6174239110	1949511
MERCEDES	A6174239110	1949500764
MERCEDES	A6174239310	1949505
MERCEDES	A6174239311	1949502
MERCEDES	A6174239311	1949507
MERCEDES	A6174239311	1949511
MERCEDES	A6174239311	1949500764
MERCEDES	A6174239510	1949602
MERCEDES	A6174239510	1949607
MERCEDES	A6174239510	1949611
MERCEDES	A6174239510	1949600764
MERCEDES	A6174239610	1949604
MERCEDES	A6174239610	1949609
MERCEDES	A6174239710	1949605
MERCEDES	A6174239710	1949610

Les correspondances de références ont pour seul objectif d'aider la recherche de référence

Cross references are there for the sole purpose of helping the reference search

## CORRESPONDANCE DES REFERENCES CROSS REFERENCE LIST

MARQUE	REF OES	REFERENCE
MERCEDES	A6174239911	<b>1768202</b>
MERCEDES	A6179930610	<b>RES009</b>
MERCEDES	A6179931110	<b>RES009</b>
MERCEDES	A6204200119	<b>MAC9496CAST</b>
MERCEDES	A6204200319	<b>MAC9496CAST</b>
MERCEDES	A6214210010	<b>1949402</b>
MERCEDES	A6214210010	<b>1949407</b>
MERCEDES	A6214210011	<b>1949402</b>
MERCEDES	A6214210011	<b>1949407</b>
MERCEDES	A6214210110	<b>1949404</b>
MERCEDES	A6214210210	<b>1949404</b>
MERCEDES	A6214210210	<b>1949409</b>
MERCEDES	A6214210410	<b>1949402</b>
MERCEDES	A6214210410	<b>1949407</b>
MERCEDES	A6214210510	<b>1949404</b>
MERCEDES	A6214210610	<b>1949404</b>
MERCEDES	A6214210610	<b>1949409</b>
MERCEDES	A6214210810	<b>1949402</b>
MERCEDES	A6214210810	<b>1949407</b>
MERCEDES	A621421081067	<b>1949402</b>
MERCEDES	A621421081067	<b>1949407</b>
MERCEDES	A621421081068	<b>1949402</b>
MERCEDES	A621421081068	<b>1949407</b>
MERCEDES	A6214210910	<b>1949404</b>
MERCEDES	A6214211010	<b>1949404</b>
MERCEDES	A6214211010	<b>1949409</b>
MERCEDES	A6214230011	<b>1949402</b>
MERCEDES	A6214230011	<b>1949407</b>
MERCEDES	A6214230111	<b>1949404</b>
MERCEDES	A6214230211	<b>1949404</b>
MERCEDES	A6214230211	<b>1949409</b>
MERCEDES	A6244200019	<b>MAC9496CAST</b>
MERCEDES	A6244200219	<b>MAC9496CAST</b>
MERCEDES	A6244200519	<b>MAC9496CAST</b>
MERCEDES	A6244210201	<b>TF1069</b>
MERCEDES	A6254200023	<b>ECF003</b>
MERCEDES	A6314200020	<b>1970601</b>
MERCEDES	A6314200020	<b>1970603</b>
MERCEDES	A6314200020	<b>1970612</b>
MERCEDES	A6504231310	<b>1723802</b>
MERCEDES	A6504231310	<b>1723806</b>
MERCEDES	A6504231410	<b>1723804</b>
MERCEDES	A6524200019	<b>MAC9496CAST</b>
MERCEDES	A6524230006	<b>SUP006</b>
MERCEDES	A6524230410	<b>1723802</b>
MERCEDES	A6524230410	<b>1723806</b>
MERCEDES	A6524231210	<b>1949502</b>
MERCEDES	A6524231210	<b>1949507</b>
MERCEDES	A6524231210	<b>1949511</b>

MARQUE	REF OES	REFERENCE
MERCEDES	A6524231210	<b>1949500764</b>
MERCEDES	A6584210001	<b>TF1069</b>
MERCEDES	A6594200419	<b>MAC9496CAST</b>
MERCEDES	A6594200519	<b>MAC9496CAST</b>
MERCEDES	A6594202219	<b>MAC9496CAST</b>
MERCEDES	A6594210010	<b>1723802</b>
MERCEDES	A6594210010	<b>1723806</b>
MERCEDES	A6594210110	<b>1723804</b>
MERCEDES	A6594210410	<b>1949402</b>
MERCEDES	A6594210410	<b>1949407</b>
MERCEDES	A6594210810	<b>1723802</b>
MERCEDES	A6594210810	<b>1723806</b>
MERCEDES	A6594210910	<b>1723804</b>
MERCEDES	A6594211210	<b>1949402</b>
MERCEDES	A6594211210	<b>1949407</b>
MERCEDES	A6594211610	<b>1723802</b>
MERCEDES	A6594211610	<b>1723806</b>
MERCEDES	A6594211710	<b>1723804</b>
MERCEDES	A6594212010	<b>1949402</b>
MERCEDES	A6594212010	<b>1949407</b>
MERCEDES	A6594230010	<b>1949502</b>
MERCEDES	A6594230010	<b>1949507</b>
MERCEDES	A6594230010	<b>1949511</b>
MERCEDES	A6594230010	<b>1949500764</b>
MERCEDES	A6594230108	<b>MAC9496CAST</b>
MERCEDES	A6594230410	<b>1949602</b>
MERCEDES	A6594230410	<b>1949607</b>
MERCEDES	A6594230410	<b>1949611</b>
MERCEDES	A6594230410	<b>1949600764</b>
MERCEDES	A6594230810	<b>1949502</b>
MERCEDES	A6594230810	<b>1949507</b>
MERCEDES	A6594230810	<b>1949511</b>
MERCEDES	A6594230810	<b>1949500764</b>
MERCEDES	A6594231210	<b>1949602</b>
MERCEDES	A6594231210	<b>1949607</b>
MERCEDES	A6594231210	<b>1949611</b>
MERCEDES	A6594231210	<b>1949600764</b>
MERCEDES	A6594231610	<b>1949502</b>
MERCEDES	A6594231610	<b>1949507</b>
MERCEDES	A6594231610	<b>1949511</b>
MERCEDES	A6594231610	<b>1949500764</b>
MERCEDES	A6594232010	<b>1949602</b>
MERCEDES	A6594232010	<b>1949607</b>
MERCEDES	A6594232010	<b>1949611</b>
MERCEDES	A6594232010	<b>1949600764</b>
MERCEDES	A6594232120	<b>1949604</b>
MERCEDES	A6594232120	<b>1949609</b>
MERCEDES	A6594232310	<b>1949502</b>
MERCEDES	A6594232310	<b>1949507</b>

Les correspondances de références ont pour seul objectif d'aider la recherche de référence

Cross references are there for the sole purpose of helping the reference search



## CORRESPONDANCE DES REFERENCES CROSS REFERENCE LIST

MARQUE	REF OES	REFERENCE
MERCEDES	A6594232310	1949511
MERCEDES	A6594232310	1949500764
MERCEDES	A6594232410	1949504
MERCEDES	A6594232410	1949509
MERCEDES	A6594232510	1949502
MERCEDES	A6594232510	1949507
MERCEDES	A6594232510	1949511
MERCEDES	A6594232510	1949500764
MERCEDES	A6594232710	1949502
MERCEDES	A6594232710	1949507
MERCEDES	A6594232710	1949511
MERCEDES	A6594232710	1949500764
MERCEDES	A6594232810	1949604
MERCEDES	A6594232810	1949609
MERCEDES	A6594232910	1949602
MERCEDES	A6594232910	1949607
MERCEDES	A6594232910	1949611
MERCEDES	A6594232910	1949600764
MERCEDES	A6594233610	1949604
MERCEDES	A6594233610	1949609
MERCEDES	A6594233710	1949602
MERCEDES	A6594233710	1949607
MERCEDES	A6594233710	1949611
MERCEDES	A6594233710	1949600764
MERCEDES	A6594233810	1949602
MERCEDES	A6594233810	1949607
MERCEDES	A6594233810	1949611
MERCEDES	A6594233810	1949600764
MERCEDES	A6594233910	1949602
MERCEDES	A6594233910	1949607
MERCEDES	A6594233910	1949611
MERCEDES	A6594233910	1949600764
MERCEDES	A6594234010	1949504
MERCEDES	A6594234010	1949509
MERCEDES	A6594234110	1949502
MERCEDES	A6594234110	1949507
MERCEDES	A6594234110	1949511
MERCEDES	A6594234110	1949500764
MERCEDES	A6674230110	1503003
MERCEDES	A6674230210	1503002
MERCEDES	A6674231410	1503002
MERCEDES	A6674231510	1503003
MERCEDES	A6674232910	1503002
MERCEDES	A6674233010	1503003
MERCEDES	A6674233310	1503002
MERCEDES	A6674233410	1503003
MERCEDES	A6684230010	1735103
MERCEDES	A6684230110	1735104
MERCEDES	A6684230810	1735003

MARQUE	REF OES	REFERENCE
MERCEDES	A6684230910	1735004
MERCEDES	A6684231610	1505900928
MERCEDES	A6684232510	1735103
MERCEDES	A6684232610	1735104
MERCEDES	A6684232910	1735003
MERCEDES	A6684233010	1735004
MERCEDES	A6684233310	1505900928
MERCEDES	A6684233710	1735103
MERCEDES	A6684233810	1735104
MERCEDES	A6684234110	1735003
MERCEDES	A6684234210	1735004
MERCEDES	A6684234510	1505900928
MERCEDES	A6684236210	1505900928
MERCEDES	A6694230110	1735004
MERCEDES	A6694230410	1735003
MERCEDES	A6694230510	1735004
MERCEDES	A6704231211	1735004
MERCEDES	A6704231511	1735104
MERCEDES	A6704232211	1735103
MERCEDES	A6704232311	1735104
MERCEDES	A6704232611	1735103
MERCEDES	A6704232711	1735104
MERCEDES	A6704233011	1735003
MERCEDES	A6704233111	1735004
MERCEDES	A6704233811	1505900928
MERCEDES	A6704234211	1505900928
MERCEDES	A6704234711	1735103
MERCEDES	A6704234811	1735104
MERCEDES	A6704235111	1735103
MERCEDES	A6704235211	1735104
MERCEDES	A6704235611	1505905928
MERCEDES	A6704235711	1505915928
MERCEDES	A6704235911	1735003
MERCEDES	A6704236011	1735003
MERCEDES	A6704236411	1735104
MERCEDES	A6704236611	1735104
MERCEDES	A6704236811	1505910928
MERCEDES	A6704237111	1735103
MERCEDES	A6704237611	1735104
MERCEDES	A6704238210	1735103
MERCEDES	A6704238310	1735104
MERCEDES	A6704239010	1735003
MERCEDES	A6704239110	1735004
MERCEDES	A6704239810	1505900928
MERCEDES	A6705400017	98016900
MERCEDES	A6705400017	W0260ME
MERCEDES	A6734200023	ECF010
MERCEDES	A6734200123	ECF010
MERCEDES	A6734200223	ECF010

Les correspondances de références ont pour seul objectif d'aider la recherche de référence

Cross references are there for the sole purpose of helping the reference search



## CORRESPONDANCE DES REFERENCES CROSS REFERENCE LIST

MARQUE	REF OES	REFERENCE
MERCEDES	A6734200323	<b>ECF010</b>
MERCEDES	A6734210331	<b>1728705</b>
MERCEDES	A6734210431	<b>1728706</b>
MERCEDES	A6734210731	<b>1728006</b>
MERCEDES	A6734210831	<b>1728007</b>
MERCEDES	A6734211131	<b>1727806</b>
MERCEDES	A6734211231	<b>1727807</b>
MERCEDES	A6734211531	<b>1516203</b>
MERCEDES	A6734211931	<b>1516203</b>
MERCEDES	A6734212331	<b>1727806</b>
MERCEDES	A6734212431	<b>1727807</b>
MERCEDES	A6734212731	<b>1728006</b>
MERCEDES	A6734212831	<b>1728007</b>
MERCEDES	A6734213131	<b>1728705</b>
MERCEDES	A6734213231	<b>1728706</b>
MERCEDES	A6734213531	<b>1728006</b>
MERCEDES	A6734213931	<b>1950505</b>
MERCEDES	A6734214031	<b>1950506</b>
MERCEDES	A6734214331	<b>1950505</b>
MERCEDES	A6734214410	<b>1516203</b>
MERCEDES	A6734214430	<b>1728006</b>
MERCEDES	A6734214431	<b>1950506</b>
MERCEDES	A6734215810	<b>1728705</b>
MERCEDES	A6734215830	<b>1516203</b>
MERCEDES	A6734215910	<b>1728706</b>
MERCEDES	A6734216210	<b>1728006</b>
MERCEDES	A6734216230	<b>1728006</b>
MERCEDES	A6734216310	<b>1728007</b>
MERCEDES	A6734216330	<b>1728007</b>
MERCEDES	A6734216610	<b>1727806</b>
MERCEDES	A6734216710	<b>1727807</b>
MERCEDES	A6734217010	<b>1516203</b>
MERCEDES	A6734217610	<b>1728705</b>
MERCEDES	A6734217710	<b>1728706</b>
MERCEDES	A6734218010	<b>1728006</b>
MERCEDES	A6734218110	<b>1728007</b>
MERCEDES	A6734218130	<b>1728705</b>
MERCEDES	A6734218330	<b>1728006</b>
MERCEDES	A6734218410	<b>1727806</b>
MERCEDES	A6734218510	<b>1727807</b>
MERCEDES	A6734218530	<b>1728006</b>
MERCEDES	A6734218810	<b>1516203</b>
MERCEDES	A6734218830	<b>1727807</b>
MERCEDES	A6734219430	<b>1728705</b>
MERCEDES	A6734219530	<b>1728706</b>
MERCEDES	A6734219810	<b>1727806</b>
MERCEDES	A6734219830	<b>1727806</b>
MERCEDES	A6734219930	<b>1727807</b>
MERCEDES	A6744210030	<b>1729006</b>

MARQUE	REF OES	REFERENCE
MERCEDES	A6744210130	<b>1729006</b>
MERCEDES	A6744210230	<b>1729007</b>
MERCEDES	A6744210830	<b>1729006</b>
MERCEDES	A6744210930	<b>1729006</b>
MERCEDES	A6744211030	<b>1729007</b>
MERCEDES	A6744211230	<b>1728705</b>
MERCEDES	A6744211330	<b>1728706</b>
MERCEDES	A6744211630	<b>1728006</b>
MERCEDES	A6744211730	<b>1728007</b>
MERCEDES	A6744212030	<b>1727806</b>
MERCEDES	A6744212130	<b>1727807</b>
MERCEDES	A6744212430	<b>1516203</b>
MERCEDES	A6744212830	<b>1728705</b>
MERCEDES	A6744212930	<b>1728706</b>
MERCEDES	A6744213230	<b>1728006</b>
MERCEDES	A6744213330	<b>1728007</b>
MERCEDES	A6744213630	<b>1727806</b>
MERCEDES	A6744213730	<b>1727807</b>
MERCEDES	A6744214030	<b>1516203</b>
MERCEDES	A6744214430	<b>1728705</b>
MERCEDES	A6744214530	<b>1728706</b>
MERCEDES	A6744214830	<b>1728006</b>
MERCEDES	A6744214930	<b>1728007</b>
MERCEDES	A6744215230	<b>1727806</b>
MERCEDES	A6744215330	<b>1727807</b>
MERCEDES	A6744215630	<b>1516203</b>
MERCEDES	A6744219810	<b>1727806</b>
MERCEDES	A6744219910	<b>1727807</b>
MERCEDES	A6754210430	<b>1729006</b>
MERCEDES	A6754210830	<b>1950607</b>
MERCEDES	A6754210930	<b>1950608</b>
MERCEDES	A6754211730	<b>1729006</b>
MERCEDES	A6754211830	<b>1729007</b>
MERCEDES	A6754212130	<b>1950607</b>
MERCEDES	A6754212230	<b>1950608</b>
MERCEDES	A6754212530	<b>1950607</b>
MERCEDES	A6754212630	<b>1950608</b>
MERCEDES	A6754212930	<b>1950505</b>
MERCEDES	A6754213030	<b>1950506</b>
MERCEDES	A6754213330	<b>1950505</b>
MERCEDES	A6754213430	<b>1950506</b>
MERCEDES	A6754213730	<b>1729006</b>
MERCEDES	A6754213810	<b>1729006</b>
MERCEDES	A6754213830	<b>1729007</b>
MERCEDES	A6754214010	<b>1729007</b>
MERCEDES	A6754214130	<b>1950607</b>
MERCEDES	A6754214230	<b>1950608</b>
MERCEDES	A6754214510	<b>1950607</b>
MERCEDES	A6754214530	<b>1950505</b>

Les correspondances de références ont pour seul objectif d'aider la recherche de référence

Cross references are there for the sole purpose of helping the reference search

## CORRESPONDANCE DES REFERENCES CROSS REFERENCE LIST

MARQUE	REF OES	REFERENCE
MERCEDES	A6754214610	<b>1950607</b>
MERCEDES	A6754214630	<b>1950506</b>
MERCEDES	A6754214710	<b>1950608</b>
MERCEDES	A6754214810	<b>1950608</b>
MERCEDES	A6754216210	<b>1729006</b>
MERCEDES	A6754216410	<b>1729007</b>
MERCEDES	A6754216810	<b>1950607</b>
MERCEDES	A6754216910	<b>1950607</b>
MERCEDES	A6754217010	<b>1950607</b>
MERCEDES	A6754217110	<b>1950608</b>
MERCEDES	A6754217210	<b>1950608</b>
MERCEDES	A6754218010	<b>1950505</b>
MERCEDES	A6754218110	<b>1950505</b>
MERCEDES	A6754218210	<b>1950506</b>
MERCEDES	A6754218310	<b>1950506</b>
MERCEDES	A6754218810	<b>1950505</b>
MERCEDES	A6754218910	<b>1950505</b>
MERCEDES	A6754219010	<b>1950506</b>
MERCEDES	A6754219110	<b>1950506</b>
MERCEDES	A6754219610	<b>1950505</b>
MERCEDES	A6754219710	<b>1950506</b>
MERCEDES	A6764210010	<b>1729006</b>
MERCEDES	A6764210110	<b>1729007</b>
MERCEDES	A6764210410	<b>1950607</b>
MERCEDES	A6764210510	<b>1950608</b>
MERCEDES	A6764210810	<b>1950505</b>
MERCEDES	A6764210910	<b>1950506</b>
MERCEDES	A6764211210	<b>1729006</b>
MERCEDES	A6764211310	<b>1729007</b>
MERCEDES	A6764211610	<b>1950607</b>
MERCEDES	A6764211710	<b>1950608</b>
MERCEDES	A6764212010	<b>1950505</b>
MERCEDES	A6764212110	<b>1950506</b>
MERCEDES	A6764212410	<b>1729006</b>
MERCEDES	A6764212510	<b>1729007</b>
MERCEDES	A6764212810	<b>1950607</b>
MERCEDES	A6764212910	<b>1950608</b>
MERCEDES	A6764213210	<b>1950505</b>
MERCEDES	A6764213310	<b>1950506</b>
MERCEDES	A6764214010	<b>1729006</b>
MERCEDES	A6764214410	<b>1729006</b>
MERCEDES	A6764214510	<b>1729007</b>
MERCEDES	A6764215210	<b>1729006</b>
MERCEDES	A6774200023	<b>ECF010</b>
MERCEDES	A6774200123	<b>ECF010</b>
MERCEDES	A6775400717	<b>98017002</b>
MERCEDES	A6775400717	<b>W0195ME</b>
MERCEDES	A6775400817	<b>98017102</b>
MERCEDES	A6775400817	<b>W0199ME</b>

MARQUE	REF OES	REFERENCE
MERCEDES	A6864210001	<b>TF1069</b>
MERCEDES	A6864210030	<b>1949502</b>
MERCEDES	A6864210030	<b>1949507</b>
MERCEDES	A6864210030	<b>1949511</b>
MERCEDES	A6864210030	<b>1949500764</b>
MERCEDES	A6864210130	<b>1949504</b>
MERCEDES	A6864210130	<b>1949509</b>
MERCEDES	A6864230001	<b>TF1042</b>
MERCEDES	A6864230030	<b>1949602</b>
MERCEDES	A6864230030	<b>1949607</b>
MERCEDES	A6864230030	<b>1949611</b>
MERCEDES	A6864230030	<b>1949600764</b>
MERCEDES	A6864230130	<b>1949604</b>
MERCEDES	A6864230130	<b>1949609</b>
MERCEDES	A9424230306	<b>SUP006</b>
MERCEDES	A9459930010	<b>RES013</b>
MERCEDES	D65481213	<b>ECF001</b>
MERITOR	64225252	<b>AC0007</b>
MERITOR	68021051	<b>ECF010</b>
MERITOR	68191065	<b>AC0009</b>
MERITOR	68191066	<b>AC0012</b>
MERITOR	68191403	<b>CAM007</b>
MERITOR	68191404	<b>CAM008</b>
MERITOR	68191510	<b>AC0010</b>
MERITOR	68191511	<b>AC0011</b>
MERITOR	68191614	<b>CAM001</b>
MERITOR	68191615	<b>CAM002</b>
MERITOR	68191649	<b>ECF009</b>
MERITOR	68192115	<b>AC0013</b>
MERITOR	68192410	<b>AC0014</b>
MERITOR	68192612	<b>AC0015</b>
MERITOR	68192681	<b>SUP001</b>
MERITOR	68192682	<b>SUP002</b>
MERITOR	68192686	<b>CAM009</b>
MERITOR	68192687	<b>CAM010</b>
MERITOR	68200150	<b>AC0016</b>
MERITOR	68370765	<b>MAC9177</b>
MERITOR	68370794	<b>MAC7017</b>
MERITOR	68370799	<b>MAC9758</b>
MERITOR	68371274	<b>MAC7357</b>
MERITOR	68371519	<b>MAC9708</b>
MERITOR	68937381	<b>MAC9071/2</b>
MERITOR	68937383	<b>MAC9068/2</b>
MERITOR	68937385	<b>MAC7992/2</b>
MERITOR	68937386	<b>MAC9941/2</b>
MERITOR	68937388	<b>MAC9090/2</b>
MERITOR	1205E2683	<b>AC0028</b>
MERITOR	1205X2000	<b>AC0029</b>
MERITOR	2258H580	<b>RES014</b>

Les correspondances de références ont pour seul objectif d'aider la recherche de référence

Cross references are there for the sole purpose of helping the reference search

## CORRESPONDANCE DES REFERENCES CROSS REFERENCE LIST

MARQUE	REF OES	REFERENCE
MERITOR	2258Y1507	<b>KRES009</b>
MERITOR	2297H8354	<b>AC0025</b>
MERITOR	2297J8356	<b>AC0026</b>
MERITOR	2297R5920	<b>AC0017</b>
MERITOR	31937066NQT	<b>1970803</b>
MERITOR	31937104NQT	<b>1587906</b>
MERITOR	31937124NQT	<b>1970803</b>
MERITOR	3280T8964	<b>AC0024</b>
MERITOR	3280V8368	<b>AC0034</b>
MERITOR	3280W8369	<b>AC0027</b>
MERITOR	68371277NQT	<b>1970803</b>
MERITOR	68371366NQT	<b>1701703</b>
MERITOR	68371371NQT	<b>1917705</b>
MERITOR	68371534NQU	<b>1907102</b>
MERITOR	68371534NQU	<b>1907100764</b>
MERITOR	68371536NQU	<b>1906802</b>
MERITOR	A2237K1051	<b>KTU012</b>
MERITOR	A2237K1051	<b>W0955IV</b>
MERITOR	A2237L1052	<b>98032200</b>
MERITOR	A2237L1312	<b>KTU011</b>
MERITOR	A2237L1312	<b>W1310IV</b>
MERITOR	A2237R1162	<b>KTU013</b>
MERITOR	A2237R1162	<b>W0955IV</b>
MERITOR	A2247L1000	<b>AC0032</b>
MERITOR	A2247M1001	<b>AC0038</b>
MERITOR	A2297N6358	<b>AC0031</b>
MERITOR	A2297S8287	<b>AC0023</b>
MERITOR	A2297U4597	<b>AC0035</b>
MERITOR	A3222H2504	<b>MAC9116NV</b>
MERITOR	A3222U1555	<b>MAC9384D</b>
MERITOR	A3280K8435	<b>AC0030</b>
MERITOR	MBSK1000-4	<b>1903770</b>
MERITOR	MBSK1010-4	<b>1936970</b>
MERITOR	MBSK1040-4	<b>1903070</b>
MERITOR	MBSK2000-4	<b>1903271</b>
MERITOR	MBSK2000-4	<b>1903272</b>
MERITOR	MBSK2010-4	<b>1909470</b>
MERITOR	MBSK2010-4	<b>1909472</b>
MERITOR	MBSK2430-4	<b>1957475</b>
MERITOR	MBSK2440-4	<b>1990270</b>
MERITOR	MBSK2450-4	<b>1928370</b>
MERITOR	MBSK2460-4	<b>1947770</b>
MERITOR	MBSK2490-4	<b>1961370</b>
MERITOR	MBSK2500-4	<b>1955770</b>
MERITOR	RBSK0248B.M	<b>ACK015</b>
MERITOR	RBSK0249B.M	<b>ACK016</b>
MERITOR	RBSK0250B.M	<b>ACK011</b>
MERITOR	RBSK0251B.M	<b>ACK014</b>
MERITOR	RBSK0343.M	<b>ACK002</b>

MARQUE	REF OES	REFERENCE
MERITOR	RBSK0502B.M	<b>ACK009</b>
MERITOR	RBSK0549B.M	<b>ACK019</b>
MERITOR	RBSK1212	<b>1938414</b>
MERITOR	RBSK1212	<b>1938400764</b>
MERITOR	RBSK1213	<b>1938415</b>
MERITOR	RBSK1226	<b>1938414</b>
MERITOR	RBSK1226	<b>1938400764</b>
MERITOR	RBSK1227	<b>1938415</b>
MERITOR	RBSK1255.M	<b>ACK012</b>
MERITOR	RBSK1409.M	<b>ACK003</b>
MERITOR	RBSK1470.M	<b>AC0029</b>
MERITOR	RBSK1481.M	<b>AC0036</b>
MERITOR	RBSK1482.M	<b>AC0037</b>
MERITOR	RBSK1493	<b>MAC9716</b>
MERITOR	RBSK1493	<b>MAC9716+WI</b>
MERITOR	RBSK1496	<b>MAC9714</b>
MERITOR	RBSK1496	<b>MAC9714+WI</b>
MERITOR	RBSK1523.M	<b>1971478</b>
MERITOR	RBSK1526.M	<b>1971678</b>
MERITOR	RBSK1554.M	<b>1950380M</b>
MERITOR	RBSK1558.M	<b>ACK004</b>
MERITOR	RBSK1560.M	<b>ACK010</b>
MERITOR	RBSK1561.M	<b>ACK020</b>
MERITOR	RBSK1563.M	<b>ACK021</b>
MERITOR	RBSK1573.M	<b>ACK013</b>
MERITOR	RBSK1586.M	<b>KRES009</b>
MERITOR	RBSK1613.M	<b>1911678</b>
MERITOR	RBSK1632.M	<b>1910978</b>
MERITOR	RBSK2051.M	<b>ACK008</b>
MERITOR	RBSK2128.M	<b>KRES010</b>
MERITOR	RBSK2278.M	<b>1911678NV</b>
MERITOR	RBSK2288.M	<b>ACK007</b>
MERITOR	RBSK2289.M	<b>ACK005</b>
MERITOR	RBSK2301.M	<b>ACK006</b>
MERITOR	RD15705153	<b>FCD013</b>
MERITOR	RD15705154	<b>FCD014</b>
MERITOR	RD15705219	<b>FCD003</b>
MERITOR	RD15705220	<b>FCD004</b>
MERITOR	RD41018235	<b>FCD005</b>
MERITOR	RD41018236	<b>FCD006</b>
MERITOR	RD41020243	<b>FCD009</b>
MERITOR	RD41020244	<b>FCD010</b>
MERITOR	RD41020335	<b>FCD011</b>
MERITOR	RD41020336	<b>FCD012</b>
MERITOR	RS15705223	<b>FCS001</b>
MERITOR	RS15705224	<b>FCS002</b>
MERITOR	RS15705232	<b>FCS100</b>
MERITOR	RS36017239	<b>FCS003</b>
MERITOR	RS36017240	<b>FCS004</b>

Les correspondances de références ont pour seul objectif d'aider la recherche de référence

Cross references are there for the sole purpose of helping the reference search



## CORRESPONDANCE DES REFERENCES CROSS REFERENCE LIST

MARQUE	REF OES	REFERENCE
MERITOR	RS41018205	<b>FCS005</b>
MERITOR	RS41018206	<b>FCS006</b>
MERITOR	RS41018221	<b>FCS013</b>
MERITOR	RS41018222	<b>FCS014</b>
MERITOR	RS41020307	<b>FCS009</b>
MERITOR	RS41020308	<b>FCS010</b>
MERITOR	SP7972	<b>KRES012</b>
MERITOR	SP8540	<b>AC0001</b>
MERITOR	SP8586	<b>KRES013</b>
MERITOR	SP8963	<b>ACK022</b>
MERITOR	ST1035	<b>AC0002</b>
MERITOR	ST1036	<b>AC0003</b>
MERITOR	ST1037	<b>AC0004</b>
MERITOR	ST4013	<b>AC0006</b>
MERITOR	ST4014	<b>AC0005</b>
MITSUBISHI	06R8102	<b>ECF008</b>
NATO	5360123103959	<b>RES011</b>
NATO	5360123458587	<b>RES012</b>
NEOPLAN	11013014	<b>RES015</b>
NEOPLAN	11014929	<b>ECF001</b>
NEOPLAN	70142005	<b>RES015</b>
NEOPLAN	080131910	<b>ECF001</b>
NISSAN	6464706	<b>CR0618</b>
NISSAN	69012170	<b>CR1004</b>
NISSAN	69021740	<b>CR1021</b>
NISSAN	69022780	<b>CR1021</b>
NISSAN	069029000	<b>MF0353</b>
NISSAN	69029000	<b>MF0353</b>
NISSAN	69030110	<b>CR1021</b>
NISSAN	69030120	<b>CR1022</b>
NISSAN	69041420	<b>CR1022</b>
NISSAN	069053200	<b>MF0353</b>
NISSAN	69053200	<b>MF0353</b>
NISSAN	44000F3803	<b>MF0353</b>
NISSAN	441009X125	<b>CR0618</b>
NISSAN	44100D6200	<b>CR1004</b>
NISSAN	YC152261AA	<b>CR0618</b>
OPEL	91075465	<b>MF0503</b>
PERROT	13057250	<b>19687001549</b>
PERROT	13057252	<b>19690001549</b>
PERROT	13057510	<b>17237001549</b>
PERROT	13057510	<b>17374001549</b>
PERROT	13057846	<b>19041001549</b>
PERROT	13057847	<b>19042001549</b>
PERROT	13057858	<b>17374001549</b>
PERROT	14352031	<b>ECF002</b>
PERROT	12739075VT	<b>ECF001</b>
PERROT	12739076VT	<b>ECF002</b>
PERROT	12739085VT	<b>ECF003</b>

MARQUE	REF OES	REFERENCE
PERROT	12739086VT	<b>ECF004</b>
RABA	318393341014	<b>1923601</b>
RABA	318933341013	<b>1923502</b>
RENAULT TRUCKS	0000189923	<b>TF6802</b>
RENAULT TRUCKS	189937	<b>TF6808</b>
RENAULT TRUCKS	0000192371	<b>TF6808</b>
RENAULT TRUCKS	192371	<b>TF6808</b>
RENAULT TRUCKS	0000194435	<b>TF6808</b>
RENAULT TRUCKS	194435	<b>TF6808</b>
RENAULT TRUCKS	0000194456	<b>TF6808</b>
RENAULT TRUCKS	194546	<b>TF6808</b>
RENAULT TRUCKS	770507400	<b>CR0367</b>
RENAULT TRUCKS	770507500	<b>CR0366</b>
RENAULT TRUCKS	870090900	<b>CR0366</b>
RENAULT TRUCKS	870441200	<b>CR0342</b>
RENAULT TRUCKS	870441300	<b>CR0351</b>
RENAULT TRUCKS	870507400	<b>CR0367</b>
RENAULT TRUCKS	870618400	<b>CRB190</b>
RENAULT TRUCKS	5000001165	<b>CRB143</b>
RENAULT TRUCKS	5000001166	<b>CRB144</b>
RENAULT TRUCKS	5000001169	<b>CRB147</b>
RENAULT TRUCKS	5000242586	<b>CR0549</b>
RENAULT TRUCKS	5000242587	<b>CR0550</b>
RENAULT TRUCKS	5000243040	<b>CR0539</b>
RENAULT TRUCKS	5000243144	<b>CR0546</b>
RENAULT TRUCKS	5000243790	<b>LPP150</b>
RENAULT TRUCKS	5000243792	<b>1962200412</b>
RENAULT TRUCKS	5000243797	<b>LW17201</b>
RENAULT TRUCKS	5000243798	<b>LW17203</b>
RENAULT TRUCKS	5000243802	<b>LW17202</b>
RENAULT TRUCKS	5000243803	<b>LW17204</b>
RENAULT TRUCKS	5000284896	<b>TF2048</b>
RENAULT TRUCKS	5000288506	<b>1991900928</b>
RENAULT TRUCKS	5000288508	<b>1993502</b>
RENAULT TRUCKS	5000288508	<b>1993509</b>
RENAULT TRUCKS	5000288508	<b>1993511</b>
RENAULT TRUCKS	5000288508	<b>1993500764</b>
RENAULT TRUCKS	5000288509	<b>1993507</b>
RENAULT TRUCKS	5000288509	<b>1993510</b>
RENAULT TRUCKS	5000288509	<b>1993513</b>
RENAULT TRUCKS	5000288510	<b>1946301</b>
RENAULT TRUCKS	5000288512	<b>1993402</b>
RENAULT TRUCKS	5000288512	<b>1993409</b>
RENAULT TRUCKS	5000288512	<b>1993400764</b>
RENAULT TRUCKS	5000288514	<b>1904902</b>
RENAULT TRUCKS	5000288515	<b>1904911</b>
RENAULT TRUCKS	5000288518	<b>1782900929</b>
RENAULT TRUCKS	5000288519	<b>1782910929</b>
RENAULT TRUCKS	5000288520	<b>1783102</b>

Les correspondances de références ont pour seul objectif d'aider la recherche de référence

Cross references are there for the sole purpose of helping the reference search



## CORRESPONDANCE DES REFERENCES CROSS REFERENCE LIST

MARQUE	REF OES	REFERENCE
RENAULT TRUCKS	5000288520	<b>1783100764</b>
RENAULT TRUCKS	5000288522	<b>1783102</b>
RENAULT TRUCKS	5000288522	<b>1783100764</b>
RENAULT TRUCKS	5000288523	<b>1783110928</b>
RENAULT TRUCKS	5000288523	<b>1783110928</b>
RENAULT TRUCKS	5000288524	<b>1925501</b>
RENAULT TRUCKS	5000288524	<b>1925500764</b>
RENAULT TRUCKS	5000288525	<b>1925502</b>
RENAULT TRUCKS	5000295945	<b>1962005</b>
RENAULT TRUCKS	5000393657	<b>CR0827</b>
RENAULT TRUCKS	5000516025	<b>CR0690</b>
RENAULT TRUCKS	5000559091	<b>1782704</b>
RENAULT TRUCKS	5000559091	<b>1782700764</b>
RENAULT TRUCKS	5000559107	<b>CR0928</b>
RENAULT TRUCKS	5000559108	<b>CR0929</b>
RENAULT TRUCKS	5000559150	<b>CR0932</b>
RENAULT TRUCKS	5000559151	<b>CR0933</b>
RENAULT TRUCKS	5000559160	<b>1962004</b>
RENAULT TRUCKS	5000559194	<b>CR0936</b>
RENAULT TRUCKS	5000559197	<b>CR0937</b>
RENAULT TRUCKS	5000559440	<b>17309007000</b>
RENAULT TRUCKS	5000559441	<b>1904902</b>
RENAULT TRUCKS	5000560583	<b>1510400412</b>
RENAULT TRUCKS	5000560943	<b>1782705</b>
RENAULT TRUCKS	5000560980	<b>CR0940</b>
RENAULT TRUCKS	5000560981	<b>CR0941</b>
RENAULT TRUCKS	5000560984	<b>1783102</b>
RENAULT TRUCKS	5000560984	<b>1783100764</b>
RENAULT TRUCKS	5000671980	<b>BE0001</b>
RENAULT TRUCKS	5000716313	<b>DC0001N</b>
RENAULT TRUCKS	5000716600	<b>AC0019</b>
RENAULT TRUCKS	5000716656	<b>AC0018</b>
RENAULT TRUCKS	5000727768	<b>TF6808</b>
RENAULT TRUCKS	5000737768	<b>TF6808</b>
RENAULT TRUCKS	5000792794	<b>MAC9934</b>
RENAULT TRUCKS	5000792795	<b>MAC9935</b>
RENAULT TRUCKS	5000793121	<b>1946301</b>
RENAULT TRUCKS	5000809635	<b>17309007000</b>
RENAULT TRUCKS	5000809636	<b>1904911</b>
RENAULT TRUCKS	5000809868	<b>1991900928</b>
RENAULT TRUCKS	5000811113	<b>1993502</b>
RENAULT TRUCKS	5000811113	<b>1993509</b>
RENAULT TRUCKS	5000811113	<b>1993511</b>
RENAULT TRUCKS	5000811113	<b>1993500764</b>
RENAULT TRUCKS	5000811574	<b>1993502</b>
RENAULT TRUCKS	5000811574	<b>1993509</b>
RENAULT TRUCKS	5000811574	<b>1993511</b>
RENAULT TRUCKS	5000811574	<b>1993500764</b>
RENAULT TRUCKS	5000811877	<b>1904902</b>

MARQUE	REF OES	REFERENCE
RENAULT TRUCKS	5000811878	<b>1946301</b>
RENAULT TRUCKS	5000811881	<b>1904911</b>
RENAULT TRUCKS	5000812335	<b>1993402</b>
RENAULT TRUCKS	5000812335	<b>1993409</b>
RENAULT TRUCKS	5000812335	<b>1993400764</b>
RENAULT TRUCKS	5000814699	<b>CR0891</b>
RENAULT TRUCKS	5000814836	<b>1903230</b>
RENAULT TRUCKS	5000814836	<b>1903234</b>
RENAULT TRUCKS	5000814837	<b>1909437</b>
RENAULT TRUCKS	5000814837	<b>1909442</b>
RENAULT TRUCKS	5000814854	<b>1904902</b>
RENAULT TRUCKS	5000814855	<b>1904902</b>
RENAULT TRUCKS	5000814856	<b>1904911</b>
RENAULT TRUCKS	5000814857	<b>1904911</b>
RENAULT TRUCKS	5000814858	<b>1946301</b>
RENAULT TRUCKS	5000814860	<b>1904902</b>
RENAULT TRUCKS	5000814861	<b>1904911</b>
RENAULT TRUCKS	5000815053	<b>1782900929</b>
RENAULT TRUCKS	5000815054	<b>1782910929</b>
RENAULT TRUCKS	5000815055	<b>1783102</b>
RENAULT TRUCKS	5000815055	<b>1783100764</b>
RENAULT TRUCKS	5000815056	<b>1783110928</b>
RENAULT TRUCKS	5000815056	<b>1783110928</b>
RENAULT TRUCKS	5000815370	<b>CR0918</b>
RENAULT TRUCKS	5000815484	<b>AB337276</b>
RENAULT TRUCKS	5000815489	<b>AB338608</b>
RENAULT TRUCKS	5000815489	<b>KRES006</b>
RENAULT TRUCKS	5000815514	<b>CR0896</b>
RENAULT TRUCKS	5000815603	<b>CR0925</b>
RENAULT TRUCKS	5000815604	<b>CR0926</b>
RENAULT TRUCKS	5000815640	<b>1925501</b>
RENAULT TRUCKS	5000815640	<b>1925500764</b>
RENAULT TRUCKS	5000816057	<b>1904911</b>
RENAULT TRUCKS	5000816058	<b>1904902</b>
RENAULT TRUCKS	5000816602	<b>CR0934</b>
RENAULT TRUCKS	5000816603	<b>CR0935</b>
RENAULT TRUCKS	5000816604	<b>CR0930</b>
RENAULT TRUCKS	5000816605	<b>CR0931</b>
RENAULT TRUCKS	5000819160	<b>1782704</b>
RENAULT TRUCKS	5000819160	<b>1782700764</b>
RENAULT TRUCKS	5000819161	<b>1962004</b>
RENAULT TRUCKS	5000819162	<b>1782705</b>
RENAULT TRUCKS	5000819163	<b>1962005</b>
RENAULT TRUCKS	5000820063	<b>1993502</b>
RENAULT TRUCKS	5000820063	<b>1993509</b>
RENAULT TRUCKS	5000820063	<b>1993511</b>
RENAULT TRUCKS	5000820063	<b>1993500764</b>
RENAULT TRUCKS	5000820588	<b>AB337220</b>
RENAULT TRUCKS	5000821135	<b>1904902</b>

Les correspondances de références ont pour seul objectif d'aider la recherche de référence

Cross references are there for the sole purpose of helping the reference search

## CORRESPONDANCE DES REFERENCES CROSS REFERENCE LIST

MARQUE	REF OES	REFERENCE
RENAULT TRUCKS	5000821136	<b>1946301</b>
RENAULT TRUCKS	5000821730	<b>1904902</b>
RENAULT TRUCKS	5000821731	<b>1904911</b>
RENAULT TRUCKS	5000821732	<b>1946301</b>
RENAULT TRUCKS	5000821815	<b>1993402</b>
RENAULT TRUCKS	5000821815	<b>1993409</b>
RENAULT TRUCKS	5000821815	<b>1993400764</b>
RENAULT TRUCKS	5000821817	<b>1993502</b>
RENAULT TRUCKS	5000821817	<b>1993509</b>
RENAULT TRUCKS	5000821817	<b>1993511</b>
RENAULT TRUCKS	5000821817	<b>1993500764</b>
RENAULT TRUCKS	5000821818	<b>1993507</b>
RENAULT TRUCKS	5000821818	<b>1993510</b>
RENAULT TRUCKS	5000821818	<b>1993513</b>
RENAULT TRUCKS	5000822061	<b>1993402</b>
RENAULT TRUCKS	5000822061	<b>1993409</b>
RENAULT TRUCKS	5000822061	<b>1993400764</b>
RENAULT TRUCKS	5000822063	<b>1993502</b>
RENAULT TRUCKS	5000822063	<b>1993509</b>
RENAULT TRUCKS	5000822063	<b>1993511</b>
RENAULT TRUCKS	5000822063	<b>1993500764</b>
RENAULT TRUCKS	5000822064	<b>1993507</b>
RENAULT TRUCKS	5000822064	<b>1993510</b>
RENAULT TRUCKS	5000822064	<b>1993513</b>
RENAULT TRUCKS	5000822065	<b>17309007000</b>
RENAULT TRUCKS	5000822066	<b>17309007000</b>
RENAULT TRUCKS	5000822594	<b>1782910929</b>
RENAULT TRUCKS	5000822595	<b>1783102</b>
RENAULT TRUCKS	5000822595	<b>1783100764</b>
RENAULT TRUCKS	5000822596	<b>1783110928</b>
RENAULT TRUCKS	5000822597	<b>1782704</b>
RENAULT TRUCKS	5000822597	<b>1782700764</b>
RENAULT TRUCKS	5000822598	<b>1782705</b>
RENAULT TRUCKS	5000822599	<b>1962004</b>
RENAULT TRUCKS	5000822604	<b>1925502</b>
RENAULT TRUCKS	5000822605	<b>1962005</b>
RENAULT TRUCKS	5000823230	<b>MAC7017</b>
RENAULT TRUCKS	5000823231	<b>ECF009</b>
RENAULT TRUCKS	5000823240	<b>KRES012</b>
RENAULT TRUCKS	5000823241	<b>ACK022</b>
RENAULT TRUCKS	5000823243	<b>1701703</b>
RENAULT TRUCKS	5000823538	<b>1993402</b>
RENAULT TRUCKS	5000823538	<b>1993409</b>
RENAULT TRUCKS	5000823538	<b>1993400764</b>
RENAULT TRUCKS	5000823921	<b>1903230</b>
RENAULT TRUCKS	5000823921	<b>1903234</b>
RENAULT TRUCKS	5000823922	<b>1909437</b>
RENAULT TRUCKS	5000823922	<b>1909442</b>
RENAULT TRUCKS	5000824295	<b>1904902</b>

MARQUE	REF OES	REFERENCE
RENAULT TRUCKS	5000824296	<b>1904911</b>
RENAULT TRUCKS	5000824297	<b>1946301</b>
RENAULT TRUCKS	5000825257	<b>1993402</b>
RENAULT TRUCKS	5000825257	<b>1993409</b>
RENAULT TRUCKS	5000825257	<b>1993400764</b>
RENAULT TRUCKS	5000825618	<b>1946301</b>
RENAULT TRUCKS	5000916058	<b>1904902</b>
RENAULT TRUCKS	5000987156	<b>CR0837</b>
RENAULT TRUCKS	5000987157	<b>CR0838</b>
RENAULT TRUCKS	5000987158	<b>CR0835</b>
RENAULT TRUCKS	5000987159	<b>CR0836</b>
RENAULT TRUCKS	5001019221	<b>1993502</b>
RENAULT TRUCKS	5001019221	<b>1993509</b>
RENAULT TRUCKS	5001019221	<b>1993511</b>
RENAULT TRUCKS	5001019221	<b>1993500764</b>
RENAULT TRUCKS	5001019222	<b>1918702</b>
RENAULT TRUCKS	5001019222	<b>1918709</b>
RENAULT TRUCKS	5001019222	<b>1918712</b>
RENAULT TRUCKS	5001019222	<b>1918700764</b>
RENAULT TRUCKS	5001823154	<b>AB350929</b>
RENAULT TRUCKS	5001823158	<b>AB350891</b>
RENAULT TRUCKS	5001823215	<b>1783102</b>
RENAULT TRUCKS	5001823215	<b>1783100764</b>
RENAULT TRUCKS	5001823217	<b>19709003658</b>
RENAULT TRUCKS	5001823240	<b>1918702</b>
RENAULT TRUCKS	5001823240	<b>1918709</b>
RENAULT TRUCKS	5001823240	<b>1918712</b>
RENAULT TRUCKS	5001823240	<b>1918700764</b>
RENAULT TRUCKS	5001823241	<b>1918704</b>
RENAULT TRUCKS	5001823241	<b>1918714</b>
RENAULT TRUCKS	5001823263	<b>KRES005</b>
RENAULT TRUCKS	5001825100	<b>1993502</b>
RENAULT TRUCKS	5001825100	<b>1993509</b>
RENAULT TRUCKS	5001825100	<b>1993511</b>
RENAULT TRUCKS	5001825100	<b>1993500764</b>
RENAULT TRUCKS	5001825533	<b>17309007000</b>
RENAULT TRUCKS	5001825534	<b>17309007000</b>
RENAULT TRUCKS	5001825620	<b>1904902</b>
RENAULT TRUCKS	5001825621	<b>1904911</b>
RENAULT TRUCKS	5001825627	<b>1925501</b>
RENAULT TRUCKS	5001825627	<b>1925500764</b>
RENAULT TRUCKS	5001825629	<b>1925502</b>
RENAULT TRUCKS	5001829350	<b>MF0601</b>
RENAULT TRUCKS	5001829558	<b>1993507</b>
RENAULT TRUCKS	5001829558	<b>1993510</b>
RENAULT TRUCKS	5001829558	<b>1993513</b>
RENAULT TRUCKS	5001830856	<b>1780400412</b>
RENAULT TRUCKS	5001830872	<b>1962200412</b>
RENAULT TRUCKS	5001830876	<b>1780400412</b>

Les correspondances de références ont pour seul objectif d'aider la recherche de référence

Cross references are there for the sole purpose of helping the reference search

## CORRESPONDANCE DES REFERENCES CROSS REFERENCE LIST

MARQUE	REF OES	REFERENCE
RENAULT TRUCKS	5001831222	<b>1346400412</b>
RENAULT TRUCKS	5001831227	<b>17582003548</b>
RENAULT TRUCKS	5001831229	<b>1780400412</b>
RENAULT TRUCKS	5001831230	<b>1780410412</b>
RENAULT TRUCKS	5001831231	<b>1962200412</b>
RENAULT TRUCKS	5001831567	<b>1950200412</b>
RENAULT TRUCKS	5001832024	<b>1974200929</b>
RENAULT TRUCKS	5001836920	<b>1991900928</b>
RENAULT TRUCKS	5001838212	<b>1993480</b>
RENAULT TRUCKS	5001838220	<b>1993480K</b>
RENAULT TRUCKS	5001838239	<b>1993580K</b>
RENAULT TRUCKS	5001838285	<b>1918780</b>
RENAULT TRUCKS	5001838294	<b>1993480</b>
RENAULT TRUCKS	5001838300	<b>1993580</b>
RENAULT TRUCKS	5001838328	<b>1918780</b>
RENAULT TRUCKS	5001839079	<b>FCS100</b>
RENAULT TRUCKS	5001839111	<b>MAC9384D</b>
RENAULT TRUCKS	5001839115	<b>1938414</b>
RENAULT TRUCKS	5001839115	<b>1938400764</b>
RENAULT TRUCKS	5001855104	<b>1993402</b>
RENAULT TRUCKS	5001855104	<b>1993409</b>
RENAULT TRUCKS	5001855104	<b>1993400764</b>
RENAULT TRUCKS	5001855105	<b>1993410</b>
RENAULT TRUCKS	5001855106	<b>1993502</b>
RENAULT TRUCKS	5001855106	<b>1993509</b>
RENAULT TRUCKS	5001855106	<b>1993511</b>
RENAULT TRUCKS	5001855106	<b>1993500764</b>
RENAULT TRUCKS	5001855107	<b>1993507</b>
RENAULT TRUCKS	5001855107	<b>1993510</b>
RENAULT TRUCKS	5001855107	<b>1993513</b>
RENAULT TRUCKS	5001855122	<b>1918702</b>
RENAULT TRUCKS	5001855122	<b>1918709</b>
RENAULT TRUCKS	5001855122	<b>1918712</b>
RENAULT TRUCKS	5001855122	<b>1918700764</b>
RENAULT TRUCKS	5001855123	<b>1918704</b>
RENAULT TRUCKS	5001855123	<b>1918714</b>
RENAULT TRUCKS	5001855128	<b>1962200412</b>
RENAULT TRUCKS	5001855146	<b>1918702</b>
RENAULT TRUCKS	5001855146	<b>1918709</b>
RENAULT TRUCKS	5001855146	<b>1918712</b>
RENAULT TRUCKS	5001855146	<b>1918700764</b>
RENAULT TRUCKS	5001855147	<b>1918704</b>
RENAULT TRUCKS	5001855147	<b>1918714</b>
RENAULT TRUCKS	5001858102	<b>1701703</b>
RENAULT TRUCKS	5001859264	<b>1782704</b>
RENAULT TRUCKS	5001859264	<b>1782700764</b>
RENAULT TRUCKS	5001859266	<b>1783102</b>
RENAULT TRUCKS	5001859266	<b>1783100764</b>
RENAULT TRUCKS	5001859270	<b>1782704</b>

MARQUE	REF OES	REFERENCE
RENAULT TRUCKS	5001859270	<b>1782700764</b>
RENAULT TRUCKS	5001859271	<b>1782705</b>
RENAULT TRUCKS	5001859272	<b>1962004</b>
RENAULT TRUCKS	5001859273	<b>1962005</b>
RENAULT TRUCKS	5001859274	<b>1946301</b>
RENAULT TRUCKS	5001859276	<b>1904902</b>
RENAULT TRUCKS	5001859278	<b>1925501</b>
RENAULT TRUCKS	5001859278	<b>1925500764</b>
RENAULT TRUCKS	5001859280	<b>17805001549</b>
RENAULT TRUCKS	5001859287	<b>1962200412</b>
RENAULT TRUCKS	5001860030	<b>1993402</b>
RENAULT TRUCKS	5001860030	<b>1993409</b>
RENAULT TRUCKS	5001860030	<b>1993400764</b>
RENAULT TRUCKS	5001860031	<b>1993410</b>
RENAULT TRUCKS	5001860032	<b>1993502</b>
RENAULT TRUCKS	5001860032	<b>1993509</b>
RENAULT TRUCKS	5001860032	<b>1993511</b>
RENAULT TRUCKS	5001860032	<b>1993500764</b>
RENAULT TRUCKS	5001860033	<b>1993507</b>
RENAULT TRUCKS	5001860033	<b>1993510</b>
RENAULT TRUCKS	5001860033	<b>1993513</b>
RENAULT TRUCKS	5001860048	<b>1918702</b>
RENAULT TRUCKS	5001860048	<b>1918709</b>
RENAULT TRUCKS	5001860048	<b>1918712</b>
RENAULT TRUCKS	5001860048	<b>1918700764</b>
RENAULT TRUCKS	5001860049	<b>1918704</b>
RENAULT TRUCKS	5001860049	<b>1918714</b>
RENAULT TRUCKS	5001860786	<b>AB332054</b>
RENAULT TRUCKS	5001860787	<b>AB332055</b>
RENAULT TRUCKS	5001861050	<b>AB299939</b>
RENAULT TRUCKS	5001861092	<b>AB316811</b>
RENAULT TRUCKS	5001861094	<b>AB316819</b>
RENAULT TRUCKS	5001861095	<b>AB316820</b>
RENAULT TRUCKS	5001861135	<b>AB330148</b>
RENAULT TRUCKS	5001861136	<b>AB330149</b>
RENAULT TRUCKS	5001861137	<b>AB330160</b>
RENAULT TRUCKS	5001861138	<b>AB330161</b>
RENAULT TRUCKS	5001861370	<b>AB332124</b>
RENAULT TRUCKS	5001862026	<b>AB330652653</b>
RENAULT TRUCKS	5001863939	<b>AB310715716</b>
RENAULT TRUCKS	5001864260	<b>AB328529</b>
RENAULT TRUCKS	5001865097	<b>CR0930</b>
RENAULT TRUCKS	5001865098	<b>CR0931</b>
RENAULT TRUCKS	5001865103	<b>CR0549</b>
RENAULT TRUCKS	5001865104	<b>CR0550</b>
RENAULT TRUCKS	5001865106	<b>CR0896</b>
RENAULT TRUCKS	5001865109	<b>CR0918</b>
RENAULT TRUCKS	5001865111	<b>CR0827</b>
RENAULT TRUCKS	5001865113	<b>CR0539</b>

Les correspondances de références ont pour seul objectif d'aider la recherche de référence

Cross references are there for the sole purpose of helping the reference search



## CORRESPONDANCE DES REFERENCES CROSS REFERENCE LIST

MARQUE	REF OES	REFERENCE
RENAULT TRUCKS	5001865114	<b>CR0546</b>
RENAULT TRUCKS	5001865118	<b>CR0891</b>
RENAULT TRUCKS	5001865119	<b>CR0690</b>
RENAULT TRUCKS	5001865120	<b>CRB190</b>
RENAULT TRUCKS	5001865123	<b>CR0367</b>
RENAULT TRUCKS	5001865124	<b>CRB157</b>
RENAULT TRUCKS	5001865658	<b>1925580</b>
RENAULT TRUCKS	5001865901	<b>A4667</b>
RENAULT TRUCKS	5001866210	<b>AB312498510</b>
RENAULT TRUCKS	5001866211	<b>AB312689704</b>
RENAULT TRUCKS	5001866273	<b>MAC9049</b>
RENAULT TRUCKS	5001866959	<b>CR0925</b>
RENAULT TRUCKS	5001866960	<b>CR0926</b>
RENAULT TRUCKS	5001866961	<b>CR0934</b>
RENAULT TRUCKS	5001866962	<b>CR0935</b>
RENAULT TRUCKS	5001867100	<b>MF0601</b>
RENAULT TRUCKS	5001867361	<b>AB338259</b>
RENAULT TRUCKS	5001868087	<b>1909002</b>
RENAULT TRUCKS	5001868087	<b>1909007</b>
RENAULT TRUCKS	5001868087	<b>1909000764</b>
RENAULT TRUCKS	5001868088	<b>1909005</b>
RENAULT TRUCKS	5001868089	<b>1907102</b>
RENAULT TRUCKS	5001868089	<b>1907109</b>
RENAULT TRUCKS	5001868089	<b>1907100764</b>
RENAULT TRUCKS	5001868090	<b>1907105</b>
RENAULT TRUCKS	5001868091	<b>1906802</b>
RENAULT TRUCKS	5001868091	<b>1906810</b>
RENAULT TRUCKS	5001868092	<b>1906805</b>
RENAULT TRUCKS	5001868113	<b>AC0013</b>
RENAULT TRUCKS	5001868114	<b>AC0016</b>
RENAULT TRUCKS	5001868117	<b>AC0006</b>
RENAULT TRUCKS	5001868118	<b>AC0005</b>
RENAULT TRUCKS	5001868119	<b>AC0014</b>
RENAULT TRUCKS	5001868120	<b>AC0007</b>
RENAULT TRUCKS	5001868121	<b>AC0001</b>
RENAULT TRUCKS	5001868122	<b>AC0012</b>
RENAULT TRUCKS	5001868125	<b>AC0010</b>
RENAULT TRUCKS	5001868126	<b>AC0011</b>
RENAULT TRUCKS	5001868127	<b>AC0009</b>
RENAULT TRUCKS	5001868128	<b>AC0015</b>
RENAULT TRUCKS	5001868158	<b>CAM005</b>
RENAULT TRUCKS	5001868159	<b>CAM006</b>
RENAULT TRUCKS	5001868167	<b>CAM008</b>
RENAULT TRUCKS	5001868168	<b>CAM007</b>
RENAULT TRUCKS	5001868204	<b>CAM002</b>
RENAULT TRUCKS	5001868205	<b>CAM001</b>
RENAULT TRUCKS	5001868569	<b>MAC9090/2</b>
RENAULT TRUCKS	5001868572	<b>MAC9071/2</b>
RENAULT TRUCKS	5001868573	<b>MAC9068/2</b>

MARQUE	REF OES	REFERENCE
RENAULT TRUCKS	5001873631	<b>SUP001</b>
RENAULT TRUCKS	5001873632	<b>SUP002</b>
RENAULT TRUCKS	5001875790	<b>1918780K</b>
RENAULT TRUCKS	5001875805	<b>AC0003</b>
RENAULT TRUCKS	5001875806	<b>AC0004</b>
RENAULT TRUCKS	5001875807	<b>AC0002</b>
RENAULT TRUCKS	5010019220	<b>TF6808</b>
RENAULT TRUCKS	5010046458	<b>CR0835</b>
RENAULT TRUCKS	5010046459	<b>CR0836</b>
RENAULT TRUCKS	5010046460	<b>CR0837</b>
RENAULT TRUCKS	5010046461	<b>CR0838</b>
RENAULT TRUCKS	5010067400	<b>AC0020</b>
RENAULT TRUCKS	5010067400	<b>APF001</b>
RENAULT TRUCKS	5010067564	<b>APF001/2</b>
RENAULT TRUCKS	5010067942	<b>CAM003</b>
RENAULT TRUCKS	5010067943	<b>CAM004</b>
RENAULT TRUCKS	5010097089	<b>RES002</b>
RENAULT TRUCKS	5010097260	<b>MAC9935K</b>
RENAULT TRUCKS	5010097262	<b>AXE002</b>
RENAULT TRUCKS	5010097340	<b>RES001</b>
RENAULT TRUCKS	5010098945	<b>RES004</b>
RENAULT TRUCKS	5010098946	<b>AXE001</b>
RENAULT TRUCKS	5010098948	<b>MAC9187</b>
RENAULT TRUCKS	5010098949	<b>TF6802</b>
RENAULT TRUCKS	5010119725	<b>RD15602176</b>
RENAULT TRUCKS	5010119726	<b>RD15602175</b>
RENAULT TRUCKS	5010216613	<b>APF001/3</b>
RENAULT TRUCKS	5010224053	<b>MAC9934K</b>
RENAULT TRUCKS	5010224629	<b>MAC9974</b>
RENAULT TRUCKS	5010260663	<b>TF6804</b>
RENAULT TRUCKS	5010422362	<b>AC0021</b>
RENAULT TRUCKS	5010525431	<b>SUP003</b>
RENAULT TRUCKS	5010525775	<b>MAC9187K</b>
RENAULT TRUCKS	5010525805	<b>TF6805</b>
RENAULT TRUCKS	5010566199	<b>BE0001</b>
RENAULT TRUCKS	5021104104	<b>TF2048</b>
RENAULT TRUCKS	5021202660	<b>TF2048</b>
RENAULT TRUCKS	5021202662	<b>TF2051</b>
RENAULT TRUCKS	5021203245	<b>ACK009</b>
RENAULT TRUCKS	5600104971	<b>TF6808</b>
RENAULT TRUCKS	7400276097	<b>AC0003</b>
RENAULT TRUCKS	7400276098	<b>AC0004</b>
RENAULT TRUCKS	7400914459	<b>AC0049</b>
RENAULT TRUCKS	7403090964	<b>AC0002</b>
RENAULT TRUCKS	7420713926	<b>TF1667</b>
RENAULT TRUCKS	7420713927	<b>TF1660</b>
RENAULT TRUCKS	7420713928	<b>TF1655</b>
RENAULT TRUCKS	7420851342	<b>CR0835</b>
RENAULT TRUCKS	7420851343	<b>CR0836</b>

Les correspondances de références ont pour seul objectif d'aider la recherche de référence

Cross references are there for the sole purpose of helping the reference search



## CORRESPONDANCE DES REFERENCES CROSS REFERENCE LIST

MARQUE	REF OES	REFERENCE
RENAULT TRUCKS	7420851344	<b>CR0837</b>
RENAULT TRUCKS	7420851345	<b>CR0838</b>
RENAULT TRUCKS	7421359819	<b>TF1660</b>
RENAULT TRUCKS	7421359820	<b>TF1655</b>
RENAULT TRUCKS	7421451969	<b>TF1667</b>
RENAULT TRUCKS	7421451972	<b>TF1655</b>
RENAULT TRUCKS	7421451973	<b>TF1660</b>
RENAULT TRUCKS	7421534374	<b>1909002</b>
RENAULT TRUCKS	7421534374	<b>1909007</b>
RENAULT TRUCKS	7421534374	<b>1909000764</b>
RENAULT TRUCKS	7421534386	<b>1907102</b>
RENAULT TRUCKS	7421534386	<b>1907109</b>
RENAULT TRUCKS	7421534386	<b>1907100764</b>
RENAULT TRUCKS	7421534392	<b>1906802</b>
RENAULT TRUCKS	7421534392	<b>1906810</b>
RENAULT TRUCKS	7421534397	<b>1909005</b>
RENAULT TRUCKS	7421534399	<b>1907105</b>
RENAULT TRUCKS	7421534401	<b>1906802</b>
RENAULT TRUCKS	7421534401	<b>1906810</b>
RENAULT TRUCKS	7422926943	<b>TF1660</b>
RENAULT TRUCKS	7485013109	<b>1906880</b>
RENAULT TRUCKS	7485013110	<b>1907180</b>
RENAULT TRUCKS	7485132401	<b>1938414</b>
RENAULT TRUCKS	7485132401	<b>1938400764</b>
RENAULT TRUCKS	7701001747	<b>CR0310</b>
RENAULT TRUCKS	7701010167	<b>1904902</b>
RENAULT TRUCKS	7701010168	<b>1904911</b>
RENAULT TRUCKS	7701010593	<b>1904902</b>
RENAULT TRUCKS	7701010594	<b>1904911</b>
RENAULT TRUCKS	7701201617	<b>MF0353</b>
RENAULT TRUCKS	7701365115	<b>CRB157</b>
RENAULT TRUCKS	7703002134	<b>AC0008</b>
RENAULT TRUCKS	7703067135	<b>APF001/1</b>
ROR	2103038	<b>TF5650</b>
ROR	15205191	<b>MAC9369V3</b>
ROR	15209713	<b>MAC9908</b>
ROR	15224724	<b>MAC9030</b>
ROR	21010776	<b>1960408</b>
ROR	21010776	<b>1960400764</b>
ROR	21018963	<b>TF5650</b>
ROR	21023036	<b>TF5650</b>
ROR	21023038	<b>TF5650</b>
ROR	21209723	<b>TF5650</b>
ROR	15205192E	<b>1936908</b>
ROR	15205192E	<b>1936912</b>
ROR	15205192R	<b>1936970</b>
ROR	15205536E	<b>1903712</b>
ROR	15205536R	<b>1903770</b>
ROR	15206004E	<b>1960408</b>

MARQUE	REF OES	REFERENCE
ROR	15206004E	<b>1960400764</b>
ROR	15206004R	<b>1960470</b>
ROR	15206005B	<b>MAC9604V3</b>
ROR	15209714E	<b>1990803</b>
ROR	15209714E	<b>1990800764</b>
ROR	15209714R	<b>1990870</b>
ROR	15224952R	<b>1903070</b>
ROR	21200780B	<b>1960408</b>
ROR	21200780B	<b>1960400764</b>
ROR	21200781B	<b>1960408</b>
ROR	21200781B	<b>1960400764</b>
ROR	21200790B	<b>1903712</b>
ROR	21200791B	<b>1903712</b>
ROR	21200794B	<b>1936908</b>
ROR	21200794B	<b>1936912</b>
ROR	21200795B	<b>1936912</b>
ROR	21209710B	<b>1990803</b>
ROR	21209710B	<b>1990800764</b>
ROR	21209710E	<b>1990803</b>
ROR	21209710E	<b>1990800764</b>
ROR	21209711B	<b>1990803</b>
ROR	21209711B	<b>1990800764</b>
ROR	21209711E	<b>1990803</b>
ROR	21209711E	<b>1990800764</b>
ROR	21209723S	<b>TF5650</b>
ROR	21224717R	<b>1903001</b>
ROR	21224718R	<b>1903001</b>
ROR	26656400A	<b>TF5650</b>
ROR	60207753R	<b>1936908</b>
ROR	60207753R	<b>1936912</b>
ROR	60207755R	<b>1960408</b>
ROR	60207755R	<b>1960400764</b>
ROR	60207757R	<b>1903001</b>
ROR	AXL117	<b>AC0047</b>
ROR	AXL126	<b>AC0040</b>
ROR	AXLLM4	<b>AC0048</b>
ROR	BLKAR	<b>1960408</b>
ROR	BLKAR	<b>1960400764</b>
ROR	BLKAR+1	<b>1960409</b>
ROR	BLKBR	<b>1990803</b>
ROR	BLKBR	<b>1990800764</b>
ROR	BLKBR+1	<b>1990804</b>
ROR	BLKQR	<b>1903712</b>
ROR	BLKZR	<b>1936908</b>
ROR	BLKZR	<b>1936912</b>
ROR	BLKZR+1	<b>1936913</b>
SAE	9291044	<b>17347001541</b>
SAE	9317168	<b>17347001541</b>
SAF	1057001000	<b>1737707</b>

Les correspondances de références ont pour seul objectif d'aider la recherche de référence

Cross references are there for the sole purpose of helping the reference search

## CORRESPONDANCE DES REFERENCES CROSS REFERENCE LIST

MARQUE	REF OES	REFERENCE
SAF	1057001200	<b>1903230</b>
SAF	1057001200	<b>1903234</b>
SAF	1057001210	<b>1903231</b>
SAF	1057001210	<b>1903235</b>
SAF	1057001220	<b>1903232</b>
SAF	1057002200	<b>15751xx</b>
SAF	1057002400	<b>1951512</b>
SAF	1057002400	<b>1951500764</b>
SAF	1057002410	<b>1951510</b>
SAF	1057002410	<b>1951512</b>
SAF	1057002410	<b>1951513</b>
SAF	1057002410	<b>1951500764</b>
SAF	1057002420	<b>1951511</b>
SAF	1057002500	<b>1951508</b>
SAF	1057002500	<b>1951512</b>
SAF	1057002500	<b>1951500764</b>
SAF	1057002510	<b>1951510</b>
SAF	1057002510	<b>1951512</b>
SAF	1057002510	<b>1951513</b>
SAF	1057002510	<b>1951500764</b>
SAF	1057002520	<b>1951511</b>
SAF	1057003300	<b>1951701</b>
SAF	1057003310	<b>19517xx</b>
SAF	1057003400	<b>1951701</b>
SAF	1057003410	<b>19517xx</b>
SAF	1057004300	<b>1989208</b>
SAF	1057004400	<b>1989208</b>
SAF	1057004410	<b>1989202</b>
SAF	1057004800	<b>1991201</b>
SAF	1057004900	<b>1991201</b>
SAF	1057004910	<b>1991202</b>
SAF	1057006000	<b>1928304</b>
SAF	1057006000	<b>1928308</b>
SAF	1057006010	<b>1928306</b>
SAF	1057006010	<b>1928309</b>
SAF	1057006100	<b>1928304</b>
SAF	1057006100	<b>1928308</b>
SAF	1057006110	<b>1928306</b>
SAF	1057006300	<b>19422xx</b>
SAF	1057006600	<b>1947702</b>
SAF	1057006600	<b>1947706</b>
SAF	1057006610	<b>1947704</b>
SAF	1057006610	<b>1947707</b>
SAF	1057006700	<b>1947702</b>
SAF	1057006700	<b>1947706</b>
SAF	1057006710	<b>1947704</b>
SAF	1057006710	<b>1947707</b>
SAF	1057006800	<b>1947905</b>
SAF	1057006810	<b>19479xx</b>

MARQUE	REF OES	REFERENCE
SAF	1057006900	<b>1947905</b>
SAF	1057006910	<b>19479xx</b>
SAF	1057007000	<b>1949005</b>
SAF	1057007100	<b>1949005</b>
SAF	1057212200	<b>15751xx</b>
SAF	1057241000	<b>1737707</b>
SAF	1057241011	<b>1737708</b>
SAF	1057241300	<b>1909437</b>
SAF	1057241300	<b>1909442</b>
SAF	1057241310	<b>1909439</b>
SAF	1057241310	<b>1909443</b>
SAF	1057241311	<b>1909437</b>
SAF	1057241311	<b>1909442</b>
SAF	1057241320	<b>1909440</b>
SAF	1057241320	<b>1909444</b>
SAF	1057242200	<b>15751xx</b>
SAF	1057242400	<b>1951510</b>
SAF	1057242400	<b>1951513</b>
SAF	1057242409	<b>1951510</b>
SAF	1057242409	<b>1951513</b>
SAF	1057242411	<b>1951511</b>
SAF	1057242500	<b>1951508</b>
SAF	1057242500	<b>1951512</b>
SAF	1057242500	<b>1951500764</b>
SAF	1057242509	<b>1951508</b>
SAF	1057242509	<b>1951512</b>
SAF	1057242509	<b>1951500764</b>
SAF	1057242510	<b>1951510</b>
SAF	1057242510	<b>1951513</b>
SAF	1057242511	<b>1951510</b>
SAF	1057242511	<b>1951513</b>
SAF	1057242520	<b>1951511</b>
SAF	1057243309	<b>19517xx</b>
SAF	1057243400	<b>1951701</b>
SAF	1057243409	<b>1951701</b>
SAF	1057244300	<b>1989202</b>
SAF	1057244300	<b>1989208</b>
SAF	1057244309	<b>1989208</b>
SAF	1057244400	<b>1989208</b>
SAF	1057244410	<b>1989208</b>
SAF	1057301000	<b>1737707</b>
SAF	1057301010	<b>1737708</b>
SAF	1057301200	<b>1903230</b>
SAF	1057301200	<b>1903234</b>
SAF	1057301210	<b>1903231</b>
SAF	1057301210	<b>1903235</b>
SAF	1057301220	<b>1903232</b>
SAF	1057301300	<b>1909437</b>
SAF	1057301300	<b>1909442</b>

Les correspondances de références ont pour seul objectif d'aider la recherche de référence

Cross references are there for the sole purpose of helping the reference search

## CORRESPONDANCE DES REFERENCES CROSS REFERENCE LIST

MARQUE	REF OES	REFERENCE
SAF	1057301310	1909439
SAF	1057301310	1909443
SAF	1057301320	1909440
SAF	1057301320	1909444
SAF	1057302400	1951512
SAF	1057302400	1951500764
SAF	1057302410	1951512
SAF	1057302410	1951500764
SAF	1057302440	1951512
SAF	1057302440	1951500764
SAF	1057302500	1951512
SAF	1057302500	1951500764
SAF	1057304400	1989208
SAF	1057304410	1989202
SAF	1057306000	1928304
SAF	1057306000	1928308
SAF	1057306010	1928309
SAF	1057306100	1928304
SAF	1057306100	1928308
SAF	1057306110	1928306
SAF	1057306110	1928309
SAF	1057312400	1951508
SAF	1057312400	1951512
SAF	1057312400	1951500764
SAF	1057312410	1951510
SAF	1057312410	1951512
SAF	1057312410	1951513
SAF	1057312410	1951500764
SAF	1057312420	1951511
SAF	1057312500	1951508
SAF	1057312500	1951512
SAF	1057312500	1951500764
SAF	1057312510	1951512
SAF	1057312510	1951513
SAF	1057312510	1951500764
SAF	1057312520	1951511
SAF	1057313300	1951701
SAF	1057313310	19517xx
SAF	1057313400	1951701
SAF	1057313410	19517xx
SAF	1057313500	1951701
SAF	1057314300	1989208
SAF	1057314310	1989202
SAF	1057314400	1989202
SAF	1057991200	1903237
SAF	1057991210	1903231
SAF	1057991210	1903235
SAF	1057991211	1903230
SAF	1057991211	1903234

MARQUE	REF OES	REFERENCE
SAF	1057991220	1903232
SAF	1057996000	1928304
SAF	1057996000	1928308
SAF	1057996010	1928306
SAF	1057996010	1928309
SAF	1057996100	1928304
SAF	1057996100	1928308
SAF	1057996110	1928306
SAF	1057996110	1928309
SAF	1057996600	1947702
SAF	1057996600	1947706
SAF	1057996610	1947704
SAF	1057996610	1947707
SAF	1057996700	1947702
SAF	1057996700	1947706
SAF	1057996710	1947704
SAF	1057996710	1947707
SAF	1057996800	1947905
SAF	1057996810	19479xx
SAF	1057996900	1947905
SAF	1057996910	19479xx
SAF	1057997000	1949005
SAF	1057997010	19490xx
SAF	1057997100	1949005
SAF	1057997110	19490xx
SAF	1151001300	RES022
SAF	1447003800	RES020
SAF	1447006000	RES021
SAF	3054005200	MAC9032SAF
SAF	3054005300	MAC9094SAF
SAF	3054012000	MAC9283
SAF	3054012200	MAC9477
SAF	3054012901	MAC9515
SAF	3057001300	1909437
SAF	3057001300	1909442
SAF	3057001310	1909439
SAF	3057001320	1909440
SAF	3057306000	1928304
SAF	3057306000	1928308
SAF	3057306010	1928306
SAF	3057306010	1928309
SAF	3057306600	1947702
SAF	3057306600	1947706
SAF	3057311200	1903230
SAF	3057311200	1903234
SAF	3057311210	1903231
SAF	3057311220	1903232
SAF	3057311320	1909440
SAF	3057312400	1951508

Les correspondances de références ont pour seul objectif d'aider la recherche de référence

Cross references are there for the sole purpose of helping the reference search

## CORRESPONDANCE DES REFERENCES CROSS REFERENCE LIST

MARQUE	REF OES	REFERENCE
SAF	3057312400	1951512
SAF	3057312400	1951500764
SAF	3057312410	1951512
SAF	3057312410	1951513
SAF	3057312410	1951500764
SAF	3057312420	1951511
SAF	3057313300	1951701
SAF	3057313310	19517xx
SAF	3057314300	1989208
SAF	3057314310	1989202
SAF	3057317000	1949005
SAF	3057391200	1903230
SAF	3057391200	1903234
SAF	3057391300	1909437
SAF	3057391300	1909442
SAF	3057392400	1951508
SAF	3057392400	1951512
SAF	3057392400	1951500764
SAF	3057392410	1951512
SAF	3057392410	1951500764
SAF	3057396600	1947702
SAF	3057396600	1947706
SAF	3057396800	1947905
SAF	3213002301	APF006
SAF	3213002302	APF006
SAF	3434365300	1928370
SAF	3434365400	1947770
SAF	3434365500	1951570
SAF	4199100200	AC0054
SAF	10572843005	1989208
SAF	10572844005	1989208
SAF	3434365200(k)	1903274
SAF	3434365400(k)	1909474
SCANIA	181814	1939302
SCANIA	181814	1939308
SCANIA	245875	MAC9933
SCANIA	246096	MAC9933
SCANIA	276421	MAC9933
SCANIA	290377	APF004
SCANIA	293543	TF3110
SCANIA	305438	TF3110
SCANIA	322818	MAC9933
SCANIA	342880	TF3110
SCANIA	355768	MAC9933
SCANIA	360573	TF3110
SCANIA	372138	AC0039
SCANIA	374355	MAC9933
SCANIA	374358	MAC9933
SCANIA	385948	1993101

MARQUE	REF OES	REFERENCE
SCANIA	385948	1993104
SCANIA	385948	1993100764
SCANIA	385949	1993201
SCANIA	385949	1993204
SCANIA	385949	1993200764
SCANIA	385950	1993301
SCANIA	385950	1993304
SCANIA	385950	1993300764
SCANIA	390544	MAC9933
SCANIA	392386	TF3104
SCANIA	397051	1799101
SCANIA	397051	1799102
SCANIA	397052	1993101
SCANIA	397052	1993104
SCANIA	397052	1993100764
SCANIA	551010	1716101
SCANIA	551019	17161xx
SCANIA	551029	1939302
SCANIA	551029	1939308
SCANIA	551036	1939304
SCANIA	551039	1939302
SCANIA	551039	1939308
SCANIA	551048	1964702
SCANIA	551049	19647xx
SCANIA	551053	1939302
SCANIA	551053	1939308
SCANIA	551057	1716101
SCANIA	551058	1907502
SCANIA	551059	1939302
SCANIA	551059	1939308
SCANIA	551061	17161xx
SCANIA	551062	19075xx
SCANIA	551122	1716101
SCANIA	551123	1993101
SCANIA	551123	1993104
SCANIA	551123	1993100764
SCANIA	551124	1993201
SCANIA	551124	1993204
SCANIA	551124	1993200764
SCANIA	551125	1993301
SCANIA	551125	1993304
SCANIA	551125	1993300764
SCANIA	551127	1993102
SCANIA	551127	1993106
SCANIA	551128	1993208
SCANIA	551129	1993307
SCANIA	551130	1907502
SCANIA	551131	1939302
SCANIA	551131	1939308

Les correspondances de références ont pour seul objectif d'aider la recherche de référence

Cross references are there for the sole purpose of helping the reference search



## CORRESPONDANCE DES REFERENCES CROSS REFERENCE LIST

MARQUE	REF OES	REFERENCE
SCANIA	551132	1964702
SCANIA	551134	19393xx
SCANIA	551136	1799101
SCANIA	551136	1799102
SCANIA	551137	1993101
SCANIA	551137	1993104
SCANIA	551137	1993100764
SCANIA	551138	1993201
SCANIA	551138	1993204
SCANIA	551138	1993200764
SCANIA	551139	1993301
SCANIA	551139	1993304
SCANIA	551139	1993300764
SCANIA	551143	1993202
SCANIA	551143	1993206
SCANIA	551160	1799101
SCANIA	551160	1799102
SCANIA	551161	1993101
SCANIA	551161	1993104
SCANIA	551161	1993100764
SCANIA	551162	1993201
SCANIA	551162	1993204
SCANIA	551162	1993200764
SCANIA	551163	1993301
SCANIA	551163	1993304
SCANIA	551163	1993300764
SCANIA	551164	17991xx
SCANIA	551165	1993102
SCANIA	551165	1993106
SCANIA	551166	1993202
SCANIA	551166	1993206
SCANIA	551167	1993307
SCANIA	551168	1716101
SCANIA	551169	1907502
SCANIA	551170	1939302
SCANIA	551170	1939308
SCANIA	551171	1964702
SCANIA	551173	19075xx
SCANIA	551174	1939304
SCANIA	551175	19647xx
SCANIA	551179	1993101
SCANIA	551179	1993104
SCANIA	551179	1993100764
SCANIA	551180	1993301
SCANIA	551180	1993304
SCANIA	551180	1993300764
SCANIA	551183	1907502
SCANIA	551184	1964702
SCANIA	551187	1716101

MARQUE	REF OES	REFERENCE
SCANIA	551188	1939302
SCANIA	551188	1939308
SCANIA	551191	1799101
SCANIA	551191	1799102
SCANIA	551192	1993201
SCANIA	551192	1993204
SCANIA	551192	1993200764
SCANIA	552110	1799101
SCANIA	552110	1799102
SCANIA	552112	1993101
SCANIA	552112	1993104
SCANIA	552112	1993100764
SCANIA	552114	1993201
SCANIA	552114	1993204
SCANIA	552114	1993200764
SCANIA	552115	1993202
SCANIA	552115	1993206
SCANIA	552116	1993301
SCANIA	552116	1993304
SCANIA	552116	1993300764
SCANIA	552118	1716101
SCANIA	552120	1907502
SCANIA	552122	1939302
SCANIA	552122	1939308
SCANIA	552124	1964702
SCANIA	751011	1939302
SCANIA	751011	1939308
SCANIA	751012	1939302
SCANIA	751012	1939308
SCANIA	751039	1939302
SCANIA	751039	1939308
SCANIA	1100816	RES006
SCANIA	1104542	MAC7991
SCANIA	1104543	MAC9931
SCANIA	1104544	MAC9932
SCANIA	1104545	MAC9933
SCANIA	1104546	MAC7991
SCANIA	1104547	MAC9931
SCANIA	1104548	MAC9932
SCANIA	1104549	MAC9933
SCANIA	1104553	MAC9933
SCANIA	1109002	1993101
SCANIA	1109002	1993104
SCANIA	1109002	1993100764
SCANIA	1109003	1993201
SCANIA	1109003	1993204
SCANIA	1109003	1993200764
SCANIA	1116691	MAC7991
SCANIA	1116693	MAC9932

Les correspondances de références ont pour seul objectif d'aider la recherche de référence

Cross references are there for the sole purpose of helping the reference search

## CORRESPONDANCE DES REFERENCES CROSS REFERENCE LIST

MARQUE	REF OES	REFERENCE
SCANIA	1116694	<b>MAC9933</b>
SCANIA	1123134	<b>MAC7991</b>
SCANIA	1123136	<b>MAC9932</b>
SCANIA	1123137	<b>MAC9933</b>
SCANIA	1301487	<b>MAC9933</b>
SCANIA	1301913	<b>MAC9933</b>
SCANIA	1304645	<b>AC0039</b>
SCANIA	1304932	<b>1907502</b>
SCANIA	1304933	<b>1939302</b>
SCANIA	1304933	<b>1939308</b>
SCANIA	1305055	<b>RES006</b>
SCANIA	1309465	<b>RES006</b>
SCANIA	1333117	<b>TF3104</b>
SCANIA	1342340	<b>APF005</b>
SCANIA	1361331	<b>TF3104</b>
SCANIA	1362721	<b>APF005</b>
SCANIA	1385893	<b>TF3110</b>
SCANIA	1414153	<b>TF3104</b>
SCANIA	1414435	<b>TF3110</b>
SCANIA	1516501	<b>1993201</b>
SCANIA	1516501	<b>1993204</b>
SCANIA	1516501	<b>1993200764</b>
SCANIA	1535247	<b>1799101</b>
SCANIA	1535247	<b>1799102</b>
SCANIA	1535248	<b>1993101</b>
SCANIA	1535248	<b>1993104</b>
SCANIA	1535248	<b>1993100764</b>
SCANIA	1535249	<b>1993201</b>
SCANIA	1535249	<b>1993204</b>
SCANIA	1535249	<b>1993200764</b>
SCANIA	1535250	<b>1993301</b>
SCANIA	1535250	<b>1993304</b>
SCANIA	1535250	<b>1993300764</b>
SCANIA	1535252	<b>1993108</b>
SCANIA	1535253	<b>1993201</b>
SCANIA	1535253	<b>1993204</b>
SCANIA	1535253	<b>1993200764</b>
SCANIA	1535254	<b>1993301</b>
SCANIA	1535254	<b>1993304</b>
SCANIA	1535254	<b>1993300764</b>
SCANIA	2109552	<b>TF3104</b>
SCANIA	2109553	<b>TF3110</b>
SCANIA	2378715	<b>TF3104</b>
SCANIA	2378716	<b>TF3110</b>
SCANIA	2645688	<b>MAC9932</b>
SCANIA	11045452	<b>MAC9932</b>
SISU	5463603213	<b>19144xx</b>
SISU	5463616413	<b>19144xx</b>
SISU	5463616513	<b>19144xx</b>

MARQUE	REF OES	REFERENCE
SMB	AJB0907001	<b>1971802</b>
SMB	M002815	<b>1955770</b>
SMB	M006174	<b>1961308</b>
SMB	M006174	<b>1961313</b>
SMB	M006204	<b>MAC9613</b>
SMB	M007282	<b>1960870</b>
SMB	M009279	<b>AC0055</b>
SMB	M009287	<b>1961308</b>
SMB	M009287	<b>1961313</b>
SMB	M010560	<b>1955708</b>
SMB	M010560	<b>1955713</b>
SMB	M010587	<b>1986201</b>
SMB	M016577	<b>1955771</b>
SMB	M016755	<b>1955710</b>
SMB	M016755	<b>1955714</b>
SMB	M016771	<b>1986202</b>
SMB	M018367	<b>1986202</b>
SMB	M051348	<b>1971802</b>
SMB	M051356	<b>1971802</b>
SMB	M064512	<b>1971802</b>
SMB	M100527	<b>1955708</b>
SMB	M100527	<b>1955713</b>
SMB	M20016212	<b>1955770</b>
SMB	M20016214	<b>1961370</b>
SMB	M91003501	<b>1955770</b>
SMB	M91003503	<b>1961308</b>
SMB	M91003503	<b>1961313</b>
SMB	M91003503	<b>1961370</b>
SMB	M91003505	<b>1961310</b>
SMB	M91003505	<b>1961314</b>
SOMA	159038	<b>FCD010</b>
SOMA	159040	<b>FCD009</b>
STEYR	59000340006	<b>1740805</b>
STEYR	59000340714	<b>1708802</b>
STEYR	59000440007	<b>1740806</b>
STEYR	59000440008	<b>1740805</b>
STEYR	59000440707	<b>1740805</b>
TATRA	4439992290	<b>ECF001</b>
TRAILOR	6504773S	<b>MAC9613</b>
TRAILOR	6504787A	<b>MAC9557</b>
TRAILOR	6505111C	<b>1903616</b>
VOLVO	270384	<b>1909002</b>
VOLVO	270384	<b>1909007</b>
VOLVO	270384	<b>1909000764</b>
VOLVO	270524	<b>1799201</b>
VOLVO	270546	<b>1988501</b>
VOLVO	270547	<b>1988501</b>
VOLVO	270648	<b>ACK022</b>
VOLVO	270830	<b>1799201</b>

Les correspondances de références ont pour seul objectif d'aider la recherche de référence

Cross references are there for the sole purpose of helping the reference search

## CORRESPONDANCE DES REFERENCES CROSS REFERENCE LIST

MARQUE	REF OES	REFERENCE
VOLVO	270831	17992xx
VOLVO	270832	1994102
VOLVO	270833	19941xx
VOLVO	270834	1909002
VOLVO	270834	1909007
VOLVO	270834	1909000764
VOLVO	270835	1909005
VOLVO	270836	1907102
VOLVO	270836	1907109
VOLVO	270836	1907100764
VOLVO	270837	1907105
VOLVO	270838	1906802
VOLVO	270838	1906810
VOLVO	270839	1906805
VOLVO	270940	1909002
VOLVO	270940	1909007
VOLVO	270940	1909000764
VOLVO	270942	1907102
VOLVO	270942	1907109
VOLVO	270942	1907100764
VOLVO	270972	1994102
VOLVO	270974	1909002
VOLVO	270974	1909007
VOLVO	270974	1909000764
VOLVO	270976	1907102
VOLVO	270976	1907109
VOLVO	270976	1907100764
VOLVO	270978	1906802
VOLVO	270978	1906810
VOLVO	271259	KRES013
VOLVO	272515	1766402
VOLVO	272516	1946703
VOLVO	272522	1956002
VOLVO	272523	1956202
VOLVO	272546	17664xx
VOLVO	272549	1956002
VOLVO	272550	19560xx
VOLVO	272552	1956204
VOLVO	272564	17664xx
VOLVO	272584	19560xx
VOLVO	272603	1780400412
VOLVO	272609	1962200412
VOLVO	272614	1782704
VOLVO	272614	1782700764
VOLVO	272615	1782704
VOLVO	272615	1782700764
VOLVO	272621	1962004
VOLVO	272622	1962005
VOLVO	272649	1782900929

MARQUE	REF OES	REFERENCE
VOLVO	272651	1783102
VOLVO	272651	1783100764
VOLVO	272652	1783102
VOLVO	272652	1783100764
VOLVO	272672	19560xx
VOLVO	272694	1956002
VOLVO	272714	1780400412
VOLVO	272716	1962200412
VOLVO	272724	1938414
VOLVO	272724	1938400764
VOLVO	272734	1946703
VOLVO	272735	19467xx
VOLVO	272736	1956202
VOLVO	272737	1956204
VOLVO	272754	1956002
VOLVO	272755	19560xx
VOLVO	272806	1988501
VOLVO	272890	1946703
VOLVO	272892	1956202
VOLVO	272893	1956204
VOLVO	272906	AC0010
VOLVO	272907	AC0011
VOLVO	272910	AC0001
VOLVO	275883	1946703
VOLVO	275973	1949200929
VOLVO	276097	AC0003
VOLVO	276098	AC0004
VOLVO	276100	AC0002
VOLVO	371744	TF1667
VOLVO	1075306	TF1667
VOLVO	1075309	TF1660
VOLVO	1075310	TF1655
VOLVO	1517824	CR0932
VOLVO	1517825	CR0933
VOLVO	1517834	CR0936
VOLVO	1517835	CR0937
VOLVO	1517941	CR0928
VOLVO	1517942	CR0929
VOLVO	1517952	CR0940
VOLVO	1517953	CR0941
VOLVO	1599012	TF1655
VOLVO	1695051	RES014
VOLVO	1696444	AC0013
VOLVO	1696445	AC0016
VOLVO	1696446	AC0007
VOLVO	1696448	AC0014
VOLVO	1696449	AC0009
VOLVO	1696450	AC0012
VOLVO	1696453	AC0001

Les correspondances de références ont pour seul objectif d'aider la recherche de référence

Cross references are there for the sole purpose of helping the reference search

## CORRESPONDANCE DES REFERENCES CROSS REFERENCE LIST

MARQUE	REF OES	REFERENCE
VOLVO	1696924	AC0010
VOLVO	1696925	AC0011
VOLVO	1697687	CR0928
VOLVO	1697688	CR0929
VOLVO	1697689	CR0932
VOLVO	1697690	CR0933
VOLVO	1697691	CR0940
VOLVO	1697692	CR0941
VOLVO	1697693	CR0936
VOLVO	1697694	CR0937
VOLVO	1697751	CAM002
VOLVO	1697752	CAM001
VOLVO	1698346	AC0016
VOLVO	2705366	1766402
VOLVO	2705374	17664xx
VOLVO	2705382	1956002
VOLVO	2705390	19560xx
VOLVO	2705408	1946703
VOLVO	2705416	19467xx
VOLVO	2705424	1956202
VOLVO	2705432	1956204
VOLVO	2705440	1979901
VOLVO	2705457	1979902
VOLVO	2708303	1799201
VOLVO	2708311	1799202
VOLVO	2708329	1994102
VOLVO	2708337	19941xx
VOLVO	2708345	1909002
VOLVO	2708345	1909007
VOLVO	2708345	1909000764
VOLVO	2708353	1909005
VOLVO	2708361	1907102
VOLVO	2708361	1907109
VOLVO	2708361	1907100764
VOLVO	2708370	1907105
VOLVO	2708378	1907105
VOLVO	2708386	1906802
VOLVO	2708386	1906810
VOLVO	2708394	1906805
VOLVO	2709368	1799201
VOLVO	2709376	1799202
VOLVO	2709382	1994102
VOLVO	2709384	1994102
VOLVO	2709392	19941xx
VOLVO	2709400	1909002
VOLVO	2709400	1909007
VOLVO	2709400	1909000764
VOLVO	2709418	1909005
VOLVO	2709426	1907102

MARQUE	REF OES	REFERENCE
VOLVO	2709426	1907109
VOLVO	2709426	1907100764
VOLVO	2709434	1907105
VOLVO	2709442	1906802
VOLVO	2709442	1906810
VOLVO	2709459	1906805
VOLVO	2709723	1994102
VOLVO	2709731	19941xx
VOLVO	2709749	1909002
VOLVO	2709749	1909007
VOLVO	2709749	1909000764
VOLVO	2709757	1909005
VOLVO	2709765	1907102
VOLVO	2709765	1907109
VOLVO	2709765	1907100764
VOLVO	2709773	1907105
VOLVO	2709781	1906802
VOLVO	2709781	1906810
VOLVO	2709798	1906805
VOLVO	2711026	1938414
VOLVO	2711026	1938400764
VOLVO	2711034	1938415
VOLVO	2711380	1988501
VOLVO	2711398	19885xx
VOLVO	2712495	1938414
VOLVO	2712495	1938400764
VOLVO	2712503	1938415
VOLVO	2725150	1766402
VOLVO	2725158	1766402
VOLVO	2725166	1946703
VOLVO	2725224	1956002
VOLVO	2725232	1956202
VOLVO	2725281	1956002
VOLVO	2725299	1956202
VOLVO	2725455	1766402
VOLVO	2725463	17664xx
VOLVO	2725497	1956002
VOLVO	2725505	19560xx
VOLVO	2725646	17664xx
VOLVO	2725653	19467xx
VOLVO	2725844	19560xx
VOLVO	2725851	1956204
VOLVO	2726149	1782704
VOLVO	2726149	1782700764
VOLVO	2726214	1962004
VOLVO	2726495	1782900929
VOLVO	2726511	1783102
VOLVO	2726511	1783100764
VOLVO	2726727	19560xx

Les correspondances de références ont pour seul objectif d'aider la recherche de référence

Cross references are there for the sole purpose of helping the reference search



## CORRESPONDANCE DES REFERENCES CROSS REFERENCE LIST

MARQUE	REF OES	REFERENCE
VOLVO	2726933	1766402
VOLVO	2726941	1956002
VOLVO	2727105	1979901
VOLVO	2727113	1979902
VOLVO	2727147	1780400412
VOLVO	2727163	1962200412
VOLVO	2727170	1962200412
VOLVO	2727246	1938414
VOLVO	2727246	1938400764
VOLVO	2727345	1946703
VOLVO	2727352	19467xx
VOLVO	2727360	1956202
VOLVO	2727378	1956204
VOLVO	2727428	17664xx
VOLVO	2727436	19560xx
VOLVO	2727444	1946703
VOLVO	2727451	19467xx
VOLVO	2727460	1956202
VOLVO	2727469	1956202
VOLVO	2727477	1956204
VOLVO	2727485	1979901
VOLVO	2727493	1979902
VOLVO	2727857	1766402
VOLVO	2727865	17664xx
VOLVO	2727873	1946703
VOLVO	2727881	19467xx
VOLVO	2728061	1988501
VOLVO	2728079	19885xx
VOLVO	2728491	1938415
VOLVO	2728863	1988501
VOLVO	2728871	19885xx
VOLVO	2728889	1956002
VOLVO	2728897	19560xx
VOLVO	2728905	1946703
VOLVO	2728913	19467xx
VOLVO	2728921	1956202
VOLVO	2728939	1956204
VOLVO	2728947	1979901
VOLVO	2728954	1979902
VOLVO	2759900	1799201
VOLVO	2759918	1799202
VOLVO	2759926	1994102
VOLVO	2759934	19941xx
VOLVO	2759942	1909002
VOLVO	2759942	1909007
VOLVO	2759942	1909000764
VOLVO	2759959	1909005
VOLVO	2759967	1909002
VOLVO	2759967	1909007

MARQUE	REF OES	REFERENCE
VOLVO	2759967	1909000764
VOLVO	2759975	1907105
VOLVO	2759983	1906802
VOLVO	2759983	1906810
VOLVO	2759991	1906805
VOLVO	2760403	1766402
VOLVO	2760411	17664xx
VOLVO	2760429	1956002
VOLVO	2760437	19560xx
VOLVO	2760445	1946703
VOLVO	2760452	19467xx
VOLVO	2760460	1956202
VOLVO	2760478	1956204
VOLVO	2760486	1979901
VOLVO	2760494	1979902
VOLVO	2760502	1988501
VOLVO	2760510	19885xx
VOLVO	3090044	19542003000
VOLVO	3090343	1799201
VOLVO	3090345	1994102
VOLVO	3090346	1906805
VOLVO	3090347	1909002
VOLVO	3090347	1909007
VOLVO	3090347	1909000764
VOLVO	3090348	1909005
VOLVO	3090349	1907102
VOLVO	3090349	1907109
VOLVO	3090349	1907100764
VOLVO	3090350	1907105
VOLVO	3090351	1906802
VOLVO	3090351	1906810
VOLVO	3090352	1906805
VOLVO	3090954	AC0014
VOLVO	3090955	SUP002
VOLVO	3090956	SUP001
VOLVO	3090964	AC0002
VOLVO	3091438	1975803
VOLVO	3091438	1975800764
VOLVO	3091458	1907102
VOLVO	3091458	1907109
VOLVO	3091458	1907100764
VOLVO	3091488	1735700929
VOLVO	3091581	1906802
VOLVO	3091581	1906810
VOLVO	3091720	MAC7357
VOLVO	3091721	MAC9758
VOLVO	3091779	1962200412
VOLVO	3091795	AC0015
VOLVO	3092173	1799202

Les correspondances de références ont pour seul objectif d'aider la recherche de référence

Cross references are there for the sole purpose of helping the reference search

## CORRESPONDANCE DES REFERENCES CROSS REFERENCE LIST

MARQUE	REF OES	REFERENCE
VOLVO	3092465	<b>SUP001</b>
VOLVO	3092466	<b>SUP002</b>
VOLVO	3092693	<b>1946703</b>
VOLVO	3092694	<b>1956202</b>
VOLVO	3092695	<b>1979901</b>
VOLVO	3093259	<b>1907102</b>
VOLVO	3093259	<b>1907109</b>
VOLVO	3093259	<b>1907100764</b>
VOLVO	3093260	<b>1907105</b>
VOLVO	3093261	<b>1906802</b>
VOLVO	3093261	<b>1906810</b>
VOLVO	3093262	<b>1906805</b>
VOLVO	3093263	<b>1907102</b>
VOLVO	3093263	<b>1907109</b>
VOLVO	3093263	<b>1907100764</b>
VOLVO	3093264	<b>1907105</b>
VOLVO	3093265	<b>1906802</b>
VOLVO	3093265	<b>1906810</b>
VOLVO	3093266	<b>1906805</b>
VOLVO	3095163	<b>1799201</b>
VOLVO	3095164	<b>1799202</b>
VOLVO	3095165	<b>1994102</b>
VOLVO	3095167	<b>1909002</b>
VOLVO	3095167	<b>1909007</b>
VOLVO	3095167	<b>1909000764</b>
VOLVO	3095169	<b>1907102</b>
VOLVO	3095169	<b>1907109</b>
VOLVO	3095169	<b>1907100764</b>
VOLVO	3095170	<b>1907105</b>
VOLVO	3095171	<b>1906802</b>
VOLVO	3095171	<b>1906810</b>
VOLVO	3095172	<b>1906805</b>
VOLVO	3095173	<b>1799201</b>
VOLVO	3095174	<b>1799201</b>
VOLVO	3095175	<b>1994102</b>
VOLVO	3095176	<b>1994102</b>
VOLVO	3095177	<b>1909002</b>
VOLVO	3095177	<b>1909007</b>
VOLVO	3095177	<b>1909000764</b>
VOLVO	3095178	<b>1909002</b>
VOLVO	3095178	<b>1909007</b>
VOLVO	3095178	<b>1909000764</b>
VOLVO	3095179	<b>1907102</b>
VOLVO	3095179	<b>1907109</b>
VOLVO	3095179	<b>1907100764</b>
VOLVO	3095180	<b>1907105</b>
VOLVO	3095181	<b>1906802</b>
VOLVO	3095181	<b>1906810</b>
VOLVO	3095182	<b>1906805</b>

MARQUE	REF OES	REFERENCE
VOLVO	3095187	<b>1909002</b>
VOLVO	3095187	<b>1909007</b>
VOLVO	3095187	<b>1909000764</b>
VOLVO	3095189	<b>1907102</b>
VOLVO	3095189	<b>1907109</b>
VOLVO	3095189	<b>1907100764</b>
VOLVO	3095193	<b>MAC7992/2</b>
VOLVO	3095194	<b>MAC9941/2</b>
VOLVO	3095195	<b>MAC9090/2</b>
VOLVO	3095196	<b>MAC9071/2</b>
VOLVO	3095197	<b>MAC9068/2</b>
VOLVO	3095203	<b>CAM009</b>
VOLVO	3095204	<b>CAM010</b>
VOLVO	3097092	<b>AC0013</b>
VOLVO	3097099	<b>AC0006</b>
VOLVO	3097167	<b>1946703</b>
VOLVO	3097168	<b>1956202</b>
VOLVO	3097169	<b>1979901</b>
VOLVO	3097175	<b>1766402</b>
VOLVO	3097177	<b>1956002</b>
VOLVO	3097275	<b>1907102</b>
VOLVO	3097275	<b>1907109</b>
VOLVO	3097275	<b>1907100764</b>
VOLVO	3097276	<b>1906802</b>
VOLVO	3097276	<b>1906810</b>
VOLVO	3097278	<b>1907102</b>
VOLVO	3097278	<b>1907109</b>
VOLVO	3097278	<b>1907100764</b>
VOLVO	3097279	<b>1906805</b>
VOLVO	3097299	<b>AC0016</b>
VOLVO	3097435	<b>1964001</b>
VOLVO	3097435	<b>1975803</b>
VOLVO	3097435	<b>1975800764</b>
VOLVO	3097500	<b>19640xx</b>
VOLVO	3098082	<b>19975007000</b>
VOLVO	3098264	<b>1909002</b>
VOLVO	3098264	<b>1909007</b>
VOLVO	3098264	<b>1909000764</b>
VOLVO	3098265	<b>1909005</b>
VOLVO	3098266	<b>1906802</b>
VOLVO	3098266	<b>1906810</b>
VOLVO	3098267	<b>1906805</b>
VOLVO	3098275	<b>AC0002</b>
VOLVO	3171744	<b>TF1667</b>
VOLVO	3171747	<b>TF1660</b>
VOLVO	3171748	<b>TF1655</b>
VOLVO	3192887	<b>TF1667</b>
VOLVO	8550977	<b>AC0005</b>
VOLVO	8550978	<b>AC0006</b>

Les correspondances de références ont pour seul objectif d'aider la recherche de référence

Cross references are there for the sole purpose of helping the reference search

## CORRESPONDANCE DES REFERENCES CROSS REFERENCE LIST

MARQUE	REF OES	REFERENCE
VOLVO	20713926	<b>TF1667</b>
VOLVO	20713927	<b>TF1660</b>
VOLVO	20713928	<b>TF1655</b>
VOLVO	21094122	<b>TF1667</b>
VOLVO	21094123	<b>TF1660</b>
VOLVO	21094124	<b>TF1655</b>
VOLVO	21451966	<b>TF1667</b>
VOLVO	21451967	<b>TF1660</b>
VOLVO	21451968	<b>TF1655</b>
VOLVO	21508812	<b>TF1660</b>
VOLVO	21508813	<b>TF1655</b>
VOLVO	21534005	<b>1799202</b>
VOLVO	21534097	<b>1909002</b>
VOLVO	21534097	<b>1909007</b>
VOLVO	21534097	<b>1909000764</b>
VOLVO	21534385	<b>1907102</b>
VOLVO	21534385	<b>1907109</b>
VOLVO	21534385	<b>1907100764</b>
VOLVO	21534396	<b>1909005</b>
VOLVO	22454041	<b>1949200929</b>
VOLVO	30900443	<b>19542003000</b>
VOLVO	30903439	<b>1799201</b>
VOLVO	30903447	<b>1799202</b>
VOLVO	30903512	<b>1906802</b>
VOLVO	30903512	<b>1906810</b>
VOLVO	30912828	<b>1979901</b>
VOLVO	30912836	<b>1979902</b>
VOLVO	30912844	<b>1988501</b>
VOLVO	30914527	<b>1799201</b>
VOLVO	30914535	<b>1799202</b>
VOLVO	30951935	<b>MAC7992/2</b>
VOLVO	30971691	<b>1979901</b>
VOLVO	30971725	<b>1979902</b>
VOLVO	85104191	<b>MAC9090/2</b>
VOLVO	85105382	<b>1909002</b>
VOLVO	85105382	<b>1909007</b>
VOLVO	85105382	<b>1909000764</b>
VOLVO	85105383	<b>1907102</b>
VOLVO	85105383	<b>1907109</b>
VOLVO	85105383	<b>1907100764</b>
WABCO	10410839	<b>FCS011</b>
WABCO	10410840	<b>FCS012</b>
WABCO	12155492	<b>MAC9099</b>
WABCO	12155493	<b>MAC9503</b>
WABCO	12155521	<b>MAC9091/98</b>
WABCO	12999469	<b>1950378</b>
WABCO	12999709	<b>1909978</b>
WABCO	13057005	<b>15304xx</b>
WABCO	13057142	<b>19730xx</b>

MARQUE	REF OES	REFERENCE
WABCO	13057170	<b>1978612</b>
WABCO	13057181	<b>19170xx</b>
WABCO	13057190	<b>1978611</b>
WABCO	13057191	<b>1982410</b>
WABCO	13057192	<b>1982410</b>
WABCO	13057193	<b>1503002</b>
WABCO	13057194	<b>1503002</b>
WABCO	13057196	<b>1708802</b>
WABCO	13057197	<b>1708802</b>
WABCO	13057198	<b>19821xx</b>
WABCO	13057199	<b>19224xx</b>
WABCO	13057200	<b>17098xx</b>
WABCO	13057201	<b>1792408</b>
WABCO	13057202	<b>1792408</b>
WABCO	13057220	<b>19786xx</b>
WABCO	13057221	<b>1978612</b>
WABCO	13057225	<b>1922507</b>
WABCO	13057232	<b>13013xx</b>
WABCO	13057242	<b>15839xx</b>
WABCO	13057265	<b>1922508</b>
WABCO	13057307	<b>19592xx</b>
WABCO	13057312	<b>19586xx</b>
WABCO	13057350	<b>1978611</b>
WABCO	13057445	<b>1709401</b>
WABCO	13057451	<b>17098xx</b>
WABCO	13057453	<b>17098xx</b>
WABCO	13057457	<b>19224xx</b>
WABCO	13057493	<b>15304xx</b>
WABCO	13057502	<b>1709601</b>
WABCO	13057503	<b>1709601</b>
WABCO	13057522	<b>1950308</b>
WABCO	13057522	<b>1950300764</b>
WABCO	13057550	<b>11027xx</b>
WABCO	13057648	<b>15178xx</b>
WABCO	13057649	<b>15179xx</b>
WABCO	13057687	<b>15304xx</b>
WABCO	13057689	<b>19857xx</b>
WABCO	13057778	<b>15313xx</b>
WABCO	13057851	<b>19723001549</b>
WABCO	13157313	<b>19730xx</b>
WABCO	13157860	<b>15304xx</b>
WABCO	13301161	<b>RES011</b>
WABCO	13301191	<b>RES015</b>
WABCO	13301212	<b>RES016</b>
WABCO	13301258	<b>RES012</b>
WABCO	13302008	<b>RES010</b>
WABCO	13480042	<b>98032100</b>
WABCO	13480042	<b>W1284IV</b>
WABCO	13480043	<b>W0548IV</b>

Les correspondances de références ont pour seul objectif d'aider la recherche de référence

Cross references are there for the sole purpose of helping the reference search





Français	Anglais	Allemand	Italien	Espagnol
A l'origine garnitures vissés	initial screwed pads	ursprüngl. verschraubte Beläge	pastiglie freno avvitate in origine	pastillas inicialmente montadas
Abîmer	Damage	Beschädigt	Danno, guasto	Daño
Abrasion	Abrasion	Abrieb	Abrasion	Abrasión
ABS (système antiblocage)	ABS (anti-lock brake system)	ABS	ABS (sistema antibloccaggio in frenata)	ABS (sistema de frenado antibloqueo)
Ajustage automatique	Automatic adjustment	automatische Nachstellung	correzione automatica	reajuste automatico
Ajusteurs de tringlerie de freins	Brake-linkage adjusters	Gestängesteller	Dispositivi per ripresa gioco	Ajustador de varillaje
Âme détériorée	Damaged web	Beschädigter Bremsbackensteg	Costa danneggiata	Alma, nervio dañado
Âme, âme de mâchoire	Web, shoe web	Bremsbackensteg	Costa (nervatura) di ganaschia	Alma, nervio de la mordaza, zapata alma, nervio
Amplificateur hydraulique	Hydraulic booster	Hydraulikverstärker	servofreno idraulico	servo hidráulico
ASC (contrôle de stabilité)	ASC (automatic stability control)	ASC (Automatische Stabilitäts Control)	ASC (controllo automatico stabilità)	ASC (control automático de estabilidad)
Aspect du cisaillement	Shear pattern	Scherbild	Figura di distacco	Útil de cizallar
ASR (anti-patinage)	ASR (traction control system TCS)	ASR (Antriebsschlupfregelsystem)	ASR (sistema antislittamento in accelerata)	ASR (systemas antiderrapaje)
Assistance pneumatique	Air brake assistance	Druckluftunterstützung	comando aria compressa	freno de aire auxiliár
Autobus	Bus (van)	Bus	autobus	autobus
AV (essieu avant)	FA (front axle)	VA (Vorderachse)	A (asse anteriore)	VA (eje delantero)
Avec accessoires	With accessories	Mit Zubehör	Con accessori	Con accesorios
Avec contrôle de ralentisseur	With retarder control	Mit Retardersteuerung	Con controllo retarder	Controlada joroba
Axes de pistons	Piston pins	Kolbenbolzen	Spinotti	Pernos de pistón
Axes de ressorts	Spring-eye bolts	Federbolzen	Perni per molle	Pernos para amortiguadores
Bagues d'étanchéité	Sealing rings	Dichtringe	Guarnizioni ad anello	Anillos de juntas
Bancs d'essai de freinage	Brake test benches	Bremsenprüfstände	Banchi prova freni	Banco de pruebas para frenos
Bancs d'essai de freins	Brake test benches	Bremsenprüfstände	Banchi prova freni	Banco de pruebas para frenos
Bande de garniture rigide	Brake band rigid lining	Bremsband fest	Guarnizione per freno a nastro	Forro de banda rígida
Bande moulée	Roll lining	Bremsband gerollt (flexibel)	Materiale d'attrito (guarnizione) in rotolo	Cinta flexible
Blocage des roues	Wheel lock	Blockieren der Räder	Bloccaggio delle ruote	Blocaje de ruedas
Boulette de fibres	Fibber concentrate	Faserausammlung	Grumo di fibra	Bolas de fibra
Broutement	Grabbing	Verzahnen	Traballare	Resalte, agarre
Broutement à chaud	Hot judder	Heissrubbeln	Traballamento	Hot judder, vibración
Broutement à froid	Cold judder	Kaltrubbeln	Vibrazione a freddo	Cold judder, vibración
Bruit	Noise	Geräusch	Rumore	Ruido
Bruit de dé freinage	Creep groan	Knarzen/knurren	Ruvidità a freddo	Creep groan

Français	Anglais	Allemand	Italien	Espagnol
Bruit de freinage	Brake noise	Bremsgeräusch	Rumore in frenata	Ruido de frenada
Butée de retenue	Retaining stud	Anschlagstift	Perno d'arresto	Indicador de desgaste
Câble de frein de parking	Hand brake actuation	Handbremsbetätigung	azionamento freno a mano	activación de freno de mano
Câbles et tirettes à câble de frein	Brake cables and cable controls	Bremsseile	Funi comando freno	Latiguillos de freno
Câbles flexibles bowden	Bowden cables	Bowdenzüge	Cavi bowden	Cables "bowden"
Cales de roue	Wheel chocks	Radunterlegkeile	Calzatoie per ruote	Cuñas para ruedas
Calibres pour diamètres intérieurs	Plug gauges	Meßdorne	Calibri di misura	Calibres
Came	Cam	Nocken	Camma	Leva
Cannelure type	Spline type	Zahnraden-Type	Tipo chiavetta	Tipo de ranura
Capteur de roue	Wheel sensor	Radsensor	seniore ruota	seniore de rueda
Capteurs	Sensors and transmitters	Sensoren	Sensori	Sensores
Capteurs de Vitesse	Wheel Speed Sensors	Drehzahlsensoren	Sensori di Velocità	Sensores de velocidad
Capteurs du niveau de liquide	Fluid level sensors	Füllstandsmeß- und - steuereinrichtungen	Disp. misura riserva e comando	Equipos para control y medida del nivel de llenado
Catalogues	Catalogues	Kataloge	Cataloghi	Catálogos
Certificat	Certificate	Zertifikat	Certificato	Certificado
Certificat d'acceptation	Release certificate	Freigabezertifikat	Certificato di benessere	Certificado de aceptación
Certification	Authentication, Certification	Beglaubigung, Zertifizierung	Autenticazione, Certificazione	Certificación
Chanfrein	Chamfer	Anschrägung	Smusso	Chaflán
Châssis renforcé	Reinforced suspension	verstärktes Fahrwerk	autotelaio rinforzato	suspensión reforzada
Clivage	Delamination	Schichtbildung	Delaminazione, sfaldatura	Exfoliación
Coefficient de frottement	Coefficient of friction	Reibbeiwert	Coefficiente d'attrito	Coeficiente de fricción
Collé	Adhesives	Kleber aller Art	Adesivi	Pegamentos
Colliers de flexibles	Hose clamps	Schlauchklemmen, Schlauchschellen	Morsetti serratubo, fascette	Abrazaderas para mangueras
Colliers de serrage	Clamps	Befestigungsschellen	Fascette di fissaggio	Abrazaderas
Commandes d'embrayage hydrauliques	Hydraulic clutch controls	Kupplungsbetätigungen, hydraulische	Comandi idraulici frizione	Accionamiento para embrague hidráulico
Complet avec maître cylindre	Complete with master cylinder	Mit Hauptzylinder	Incluso cilindro maestro	
Compressibilité	Compressibility	Kompressibilität	Compressibilità	Compresibilidad
Concave	Concave	Konkav	Concavo	Cóncavo
Conduite à droite	Right hand drive	Rechtslenker	Guida a destra	Con volante a la derecha
Conduite à gauche	Left hand drive	Linkslenker	Guida a sinistra	Con volante a la izquierdo
Conduite flexible	Line hose	Schlauchleitung	flessibile (tubo flessibile)	latiguillo flexible

## TRADUCTION / TRANSLATION

Français	Anglais	Allemand	Italien	Espagnol
Conduite rigide	Pipe line	Rohrleitung	tubazione	latiguillo
Conduites de frein	Brake lines	Bremsleitungen	Condutture freno	Líneas/mangueras de frenos
Conformité	Compliance, Conformity	Einwilligung, Übereinstimmung	Conformità	Conformidad
Contrôle	Control	Überwachung	Controllo, collaudo	Control
Contrôle final	Final inspection	Endprüfung	Ispezione finale	Control final
Contrôle pression frein de parc	Pressure from spring brake system	Druck vom Feststellbremssystem	Pressione dal circuito di stazionamento	Control de presión de freno de estacionamiento
Contrôle visuel	Visual inspection	Sichtprüfung	Ispezione visiva	Inspección visual
Contrôle, vérification	Check	Überprüfen	Controllo	Control, verificación
Convexe	Convex	Konvex	Convesso	Convexo
Corps	Housing	Gehäuse	carcassa	carcasa
Correcteur de freinage	Brake pressure regulator	Bremskraftregler	correttore di frenata	corrector de frenado
Correcteur de freinage	Regulator	Regler	correttore di frenata	regulador
Correcteurs de Freinage Suspension Mécanique	Load Sensing Valves Mechanical Suspension	Bremskraftregler mechanisch	Correttori di Frenata Meccanici	Correctores de frenado Suspensión Mecánica
Correcteurs de Freinage Suspension Pneumatique	Load Sensing Valves Air Suspension	Bremskraftregler, pneumatisch	Correttori di Frenata Pneumatici	Correctores de frenado Suspensión neumática
Côte réparation	Oversize	Übergröße	Surdimensionato, maggiorato	Sobre medida
Couple résiduel de freinage	Residual brake drag	Restlicher Bremswiderstand	Momento residuo	Par residual
CR (cylindre roue)	WC (wheel cylinder)	Rz (Radzylinder)	cil. ruota (cilindretto ruota)	CR (cilindro de rueda)
Cylindre hydraulique	Hydraulic cylinder	Hydraulikzylinder	cilindro idraulico	cilindro de hidráulico
Cylindres à Ressort	Spring Brakes	Kombizylinder	Cilindri Doppi	
Cylindres de freins de roues	Wheel brake cylinders	Bremszylinder	Cilindret	Cilindros de frenos
Cylindres de roues	Wheel cylinders	Bremszylinder	Cilindret	Cilindros de frenos
D (diamètre) =	D (diameter) =	D (Durchmesser) =	D (diametro) =	D (diámetro) =
Décollement	Detachment	Ablösung	Distacco	Desenganche
Découpage	Stamping	Stanzen	Timbratura	Troquelado
Dessiccateurs d'air comprimé	Compressed-air dryers	Drucklufttrockner	Deumidificatori per aria compressa	Secadores de aire comprimido
Diamètre de la tête	Head diameter	Kopfdurchmesser	Diametro della testa	Diámetro de la cabeza
Diamètre de l'orifice ou taraudage	Hole diameter or thread	Durchmesser oder Gewindegröße	Diametro del foro o filettatura	
Diamètre du cercle de rivetage	Pitch circle diameter	Lochkreisdurchmesser	Diametro di foratura	Diámetro entre agujeros de remache
Diamètre du corps	Shank diameter	Schaftdurchmesser	Diametro del gambo	Diámetro de la caña
Diamètre du piston	Servo Piston diameter	Durchmesser Servokolben	Diametro del pistone	Diámetro de pistón

Français	Anglais	Allemand	Italien	Espagnol
Diamètre extérieur	Outside diameter	Aussendurchmesser	Diametro esterno	Diámetro exterior
Diamètre intérieur	Inside diameter	Innendurchmesser	Diametro interno	Diámetro interior
Diamètre moyen	Inner/core diameter	Innendurchmesser	Diametro mediano	Diámetro medio
Dimension des trous	Hole sizes	Bohrungsdurchmesser	Dimensione del foro	Tamaño del agujero
Disque plein	Solid disc	Massive Bremsscheibe	Disco pieno	Disco macizo
Disque ventilé	Ventilated disc	belüftete Bremsscheibe	Disco ventilato	Disco ventilado
Disques de frein	Brake discs	Scheibenbremse	Dischi freno	Discos de freno
Disques de frein à 4 trous	4-bore brake disc	4-Loch-Bremsscheibe	disco freno 4 fori	disco freno con 4 taladros
Disques de frein à 6 trous	6-bore brake disc	6-Loch-Bremsscheibe	disco freno 6 fori	disco freno con 6 taladros
Droit	Right	Rechts	Destra	Derecho
Ébauche d'usinage	Pregrinding	Vorschleifen	Pre-rettifica	Pre-rectificado
Écrous	Nuts	Muttern	Dadi	Tuercas
EE (émetteur d'embrayage)	CC (clutch cylinder)	Gz (Geberzylinder)	cilindro di comando	CTR (cilindro distribuidor)
Efficacité freinage	Braking efficiency	Bremswirksamkeit	Efficienza del freno	Eficacia
Effort frein de stationnement	Spring portion rating	Federspeicherkraftabgabe	Forza freno di stazionamento	Freno de esfuerzo
Encollage	Adhesive coating	Kleberbeschichtung	Copertura adesiva	Recubrimiento adhesivo
Enregistreurs de pression de freinage	Brake pressure recorders	Bremsdruckschreiber	Pressografo per impianto freni	Impresora para presión de frenado
Enregistreurs du taux de freinage	Brake rate recorders	Bremsverzögerungsmesser	Decelerometro	Medidores de desaceleración de frenado
Entraxe	Hole pitch	Lochteilung	Passo, interasse	Distancia entre dos agujeros
Épaisseur de la tête	Head thickness	Kopfdicke	Spessore della testa	Espesor de la cabeza
Épaisseur minimum	Thickness minimum	Dicke, min	Spessore minimo	Espesor mínimo
Épingle	Retaining clip	Sicherungsklammer	Coppiglia	Clip
Équipements et accessoires hydrauliques	Hydraulic equipment and accessories	Hydraulische Ausrüstungen	Equipaggiamenti idraulici	Equipos hidráulicos
Essai d'usure	Wear test	Verschleißprüfung	Prova di usura	Ensayo de desgaste
Essieu arrière	Rear axle	Hinterachse	Asse posteriore	Eje posterior
Essieu avant	Front axle	Vorderachse	Asse anteriore	Eje anterior
Essieu avant et essieu arrière	Front and rear axle	Vorder- und Hinterachse	assi anteriore e posteriore	eje delantero + eje trasero
Essieu multi-link	Multi-link axle	Multi-Link-Achse	assale Multi-link	eje Multi-Link
Essieux	Axles	Achsen	Assali	Ejes
Essieux de remorques	Trailer axles	Anhängerachsen	Assi per rimorchi	Ejes para remolques
Étalonnage	Calibration	Kalibrieren	Taratura	Calibrado
Étrier à 1 piston D=xx	Single-piston caliper D=xx	1-Kolbensattel D=xx	pinza freno a un pistoncino D = xx	mordaza de freno D=xx



## TRADUCTION / TRANSLATION

Français	Anglais	Allemand	Italien	Espagnol
Étrier à 2 pistons D=xx	2-piston caliper D=xx	2-Kolbensattel D=xx	pinza freno a 2 pistoncini D=xx	mordaza con dos pistones D=xx
Étrier à 4 pistons	4-piston caliper	4-Kolbensattel	pinza freno a 4 pistoncini	mordaza con 4 pistones
Étrier avec 1 bouchon d'arrêt	Caliper with 1 retaining pin	Sattel mit 1 Haltestift	pinza con una spina di fissaggio	pinza con 1 pasador
Étrier avec 2 bouchon d'arrêt	Caliper with 2 retaining pins	Sattel mit 2 Haltestiften	pinza con due spine di fissaggio	pinza con 2 pasadores
Étrier avec nopes en fonte	Caliper with cast-naps	Sättel mit Gussnoppen	pinze freno con borchie fuse	pinzas con protuberancias de fundición
Étrier de frein	Calliper	Bremssattel	Pinza per freno a disco	Pinza de freno
Étrier de frein à disque	Disk brake callipers	Bremszangen und -sättel	Pinze per freni a disco	Pinzas y zapatas de freno
Étrier flottant	Floating caliper	Schwimmsättel	pinza freno flottante	pinza flotante
Étriers en aluminium	Alu-calipers	Alu-Sättel	pinza in alluminio	mordaza de freno de aluminio
Étriers en fonte grise	Cast iron-caliper	GG-Sättel	pinza in ghisa	pinza de fundición de gris
Étriers fixes	Fixed caliper	Festsättel	pinza freno fissa	pinza de fija
Étriers frein à 1 circuit	Single-circuit caliper	1-Kreis-Sättel	pinza freno a 1 circuito	pinza de 1 circuito
Étriers frein à 2 circuits	Two-circuit-caliper	2-Kreis-Sättel	pinza freno a 2 circuiti	pinza de 2 circuitos
Évacuation et élimination des liquides de freins	Brake fluid disposal	Bremsflüssigkeits-Entsorgung	Smaltimento fluidi per freni	Eliminación de líquidos de freno
Face de friction	Friction surface, Working surface	Reibfläche	Superficie di lavoro	Superficie de fricción
Fading (évanouissement)	Fading	Fading	Fading, affievolirsi	Fading
Fil témoin d'usure	Wear indicator cable	Kabel für Verschleissanzeiger	Cavetto indicatore d'usura	Cable del indicador de desgaste
Filetage du tube	Tube thread	Tragrohrgewinde	Filettatura del tubo	Tubo de hilo
Filetage pas a droite	Right hand thread	Rechtsgewinde	Raccordi versione destra	
Filetage pas a gauche	Left hand thread	Linksgewinde	Raccordi versione sinistra	
Flasque	Flange	Flansch	Flangia	Pestaña
Flexibles	Hoses	Schläuche	Tubi flessibili	Cámaras
Flexibles de frein et d'embrayage	Brake and clutch hoses	Brems- und Kupplungsschläuche	Tubazioni freno e frizione	Mangueras de frenos y embragues
Flexibles en caoutchouc	Rubber hoses	Gummischläuche (Triebwerk, Fahrwerk)	Tubazioni in gomma	Mangueras de goma
Fluides et huiles hydrauliques	Hydraulic fluids and oils	Hydrauliköle	Oli idraulici	Aceites hidráulicos
Foret à pointe de centrage	Pin drills	Schälbohrer	Punte a pelare	Machos de roscar
Fraisée	Hole milling machines	Lochfräser	Frese frontali	Fresadoras de agujero
Frein	Brake	Bremse	Freno	Freno
Frein à 1 circuit	Single-circuit brake	1-Kreis-Bremse	impianto frenante circuito semplice	freno de 1 circuito
Frein à deux circuits	Two-circuit-brake	2-Kreis-Bremse	impianto frenante doppio circuito	freno de 2 circuitos

Français	Anglais	Allemand	Italien	Espagnol
Frein à disque	Disc brake	Scheibenbremse	Disco	Freno a disco
Frein à disque essieu AR	Rear axle disc brake	HA-Scheibenbremse	dischi freno asse posteriore	eje trasero disco de freno
Frein à disque essieu avant	Front axle disc brake	VA-Scheibenbremse	dischi freno asse anteriore	eje delantero - disco de freno
Frein à main	Hand brake	Handbremse	Freno a mano	Freno de mano
Frein à tambour	Drum brake	Trommelbremse	freni a tamburo	tambores de freno
frein à tambour essieu AR	Rear axle drum brake	HA-Trommelbremse	tamburi freno asse posteriore	eje trasero tambores de freno
Frein Girling essieu avant	Front axle Girling-brake	VA-Girling-Bremse	asse anteriore con impianto Girling	eje delantero - Girling freno
Frein pneumatique	Air brake	Druckluftbremse	freno pneumatico	freno de aire comprimido
Frein renforcé	Heavy-duty brake	verstärkte Bremse	freno rinforzato	freno reforzado
Freinage irrégulier	Uneven braking	Ungleichmäßiges Bremsen	Sbilanciamento in frenata	Balance de frenada no correcto
Freins	Brakes	Bremsen	Freni	Frenos
Freins à disque	Disk brakes	Scheibenbremsen	Freni a disco	Frenos a disco
Freins à Disque Pneumatique	Air Disc Brakes	Pneumatische Scheibenbremsen	Freni a Disco Pneumatici	Freno de disco neumático
Freins à tambours	Drum brakes	Trommelbremsen	Freni a tamburo	Frenos de tambor
Freins de remorques	Trailer brakes	Anhängerbremsen	Freni per rimorchi	Frenos para remolques
Gaines de câbles	Cable sleeves	Kabelschutzhüllen	Guaine protezione cavi	Fundas de protección de cables
Garantie	Warranty	Garantie	Garanzia	Garantía
Garniture	Lining	Reibbelag	Guarnizione (suola)	Forro
Garniture chanfreinée	Chamfered lining	Abgeschrägter Belag	Ceppo (suola) smussato	Forro chaflanado
Garniture collée	Bonded lining	Geklebter Belag	Ceppo (suola) incollato	Forro encolado
Garniture de frein	Brake lining	Bremsbelag	Ceppo (suola) per freno	Forro de freno
Garniture de frein à tambour	Drum brake lining	Trommelbremsbelag	Guarnizione per freno a tamburo	Forro de freno de tambor
Garniture moulée	Moulded lining	Gepresster Belag	Guarnizione stampata	Forro moldeado
Garniture rivetée	Riveted lining	Genietet Belag	Guarnizione rivettata	Forro remachado
Garniture tissée	Woven material	Gewebtes Material	Ceppo di materiale tessuto	Material tejido
Garnitures de frein	Brake linings	Bremsbeläge	Guarnizioni freno	Forros de freno
Garnitures de frein à tambour	Drum Brake Linings	Trommelbremsbeläge	Guarnizioni per freni a tamburo	Forros de freno de tambor
Garnitures de friction	Friction linings	Reibbeläge	Ferodi	Guarniciones de fricción
Gauche	Left	Links	Sinistra	Izquierdo
Glaçage	Glazing	Verglasung	Aspetto vetroso	Aspecto vidrioso
Goupille	Locating pin, Retaining pin	Zentrierbolzen, Belagsicherungsstift	Spina di posizionamento, Spina di tenuta	Centrado, Pasador rígido
Goupilles	Splints, Pins	Splinte, Stifte	Copiglie, Perni	Grupillas, Pasadores
Gravage	Impression stamping	Prägen	Incisione	Troquelado

## TRADUCTION / TRANSLATION

Français	Anglais	Allemand	Italien	Espagnol
Grésillement	Chirp	Zirpen	Pigolio	Chirrido
Grondement	Rumble	Rumpeln, rütteln	Risonanza	Vibración
Groupe de pièces normalisées	Standard parts	Gruppe Normteile	Gruppo pezzi standardizzati	Grupo de piezas normalizadas
Grues mobiles	Mobile cranes	Mobilkrane	Gru mobili	Grúas móviles
Hydraulique	Hydraulic	Hydraulisch	Idraulica	Hidráulica
Indicateur chute de pression	Pressure warning switch	Druck-Warnschalter	interruttore spia pressione	interruptor de aviso de presión
Jauges d'épaisseur	Feeler gauges	Tastlehren	Calibri tastatori	Patrones para palpar
Jeux de joints d'étanchéité	Seal and gasket sets	Dichtungssätze	Set sigillanti di tenuta	Juegos de juntas
Jeux de réparation pour freins	Brake repair kits	Reparatursätze für Bremsen	Set riparazione freni	Juegos de reparación para frenos
Kit pièces de rechange	Spare Kit	Ersatzteilkit	Insieme parti ricambio	Kit de piezas de repuesto
L (longueur) =	L (length) =	L (Länge) =	L (lunghezza) =	L (largo) =
Largeur totale	Overall width	Gesamtbreite	Larghezza totale	Anchura total
Levier à Droite	Right hand	Hebel rechts	Azionamento leva destra	
Levier à Gauche	Left hand	Hebel links	Azionamento leva sinistra	
Limiteurs de la force de freinage	Brake power limiters	Bremskraftbegrenzer	Limitatore di frenata	Reductor de servofreno
Limiteurs de vitesse	Engine speed governors	Drehzahlbegrenzer	Limitatori di velocità	Limitadores de la velocidad
Liquide de frein	Brake fluid	Bremsflüssigkeit	Liquido freni	Liquido de frenos
Longueur	Length	Länge	Lunghezza	Longitud
Longueur développée	Curved length	Bogenlänge	Lunghezza dell'arco	Longitud de desarrollo
Longueur effective	Effective length	Wirksame Länge	Lunghezza effettiva	Longitud efectiva
Mâchoire comprimée	Leading shoe	Auflaufbacke	Ganascia avvolgente	Mordaza, zapata comprimida
Mâchoire de frein	Brake shoe	Backe	Ganascia	Mordaza, zapata
Mâchoire de frein à tambour	Drum brake shoe	Trommelbremsbacke	Ganascia per freno a tamburo	Mordaza, zapata de freno de tambor
Mâchoire de frein à tambour garnie	Lined shoe assembly	Trommelbremsbacke mit Belag	Ganascia freno con guarnizione	Conjunto forro-mordaza, zapata
Mâchoire détériorée	Damaged shoe	Beschädigte Bremsbacke	Ganascia danneggiata	Mordaza, zapata dañada
Mâchoire primaire	Primary lining	Primärbelag	Ceppo (suola) primaria	Mordaza, zapata primaria
Mâchoire secondaire	Secondary lining	Sekundärbelag	Ceppo (suola) secondario	Mordaza, zapata secundaria
Mâchoire tendue	Trailing shoe	Ablaufbacke	Ganascia svolgente	Mordaza, zapata extendida
Mâchoires de frein	Brake shoes	Bremsbacken	Ganasce Freno	Zapatillas de freno
Mâchoires de frein à tambour garnies	Shoe assembly	Trommelbremsbacken mit Belag	Ganasce per freno a tamburo	Conjunto para freno de tambor
Matériau de friction	Friction material	Reibmaterial	Materiale d'attrito	Material de fricción

## TRADUCTION / TRANSLATION

Français	Anglais	Allemand	Italien	Espagnol
Matériau déporté sur le support	Material out of position on the plate	Belagversatz auf Trägermaterial	Materiale scentrato rispetto al supporto	Material descentrado respecto al soporte
MC (maître cylindre)	MC (master cylinder)	Hz (Hauptzylinder)	pompa freno	CM (cilindro maestro)
MCT (maître cylindre tandem)	TMC (tandem master cylinder)	THz (Tandemhauptzylinder)	pompa freno tandem	CMT ( cilindro tándem)
MCT avec 3 raccords	TMC with 3 connections	THz mit 3 Anschlüssen	pompa freno tandem con 3 attacchi	cilindro tándem con 3 conexions
MCT avec vis de butée	TMC with stop screw	THz mit Anschlagsschraube	pompa freno tandem con vite di fermo	cilindro tándem con tornillo de tope
MCT compact	Compact TMC	Kompakt THz	pompa freno tandem compatta	cilindro maestro tándem compacto
MCT fonte grise/prédécesseur	Cast-iron-TMC/predecessor	GG-THz/Vorgänger	pompa tandem in ghisa / precedente	cil. principal de fundición de gris/avisador
MC-tandem standard	Standard tandem master cylinder	Standard-THz	pompa freno tandem standard	cilindro tándem standard
Mesure	Measurement	Messung	Misura	Medida
Micro fissure	Hairline crack	Mikrofeiner Riss	Fessura sottile	Fisura superficial
Modulateur hydraulique	Hydraulic unit	Hydr. Steuereinheit	modulatore idraulico	modulador de hidráulico
Montage	Mounting	Befestigung	Montaggio	Montaje
Montage derrière l'essieu	Installation aft of axle	Einbau hinter der Achse	montaggio dietro l'assale	instalación despues del eje
Montage devant l'essieu	Installation forward of axle	Einbau vor der Achse	montaggio davanti l'assale	instalación antes del eje
Nécessaires de montage pour garnitures de freins	Brake lining mounting	Bremsbeläge-Einbausätze	Set montaggio ferodi	Forros de freno - juego
Nécessaires de réparation CR	WC-repair kit	Rz-Reparatursatz	serie riparazione cil. ruota	juego de reparación CR
Nécessaires de réparation MC	MC-repair kit	Hz-Reparatursatz	serie riparazione pompa freno	juego de reparación CM
Nombre de trous de fixation	Number of mounting holes	Anzahl Befestigungsbohrungen	Numero dei fori di montaggio	
Norme	Standard	Norm	Norma	Norma
Outils de réparation de freins	Brake repair tools	Bremsen-Reparaturwerkzeuge	Attrezzi per riparazione freni	Herramientas para reparación de frenos
Performance de freinage	Braking performance	Bremsleistung	Efficienza di frenata	Prestaciones de frenada
Pièce	Part	Teil	Parte	Apartado
Pièces de freins	Brake parts	Bremsen-Bauteile	Componenti freno	Piezas de frenos
Pièces détachées de freins à disque	Disc brake parts	Scheibenbremsen-Bauteile	Particolari per freni a disco	Piezas para frenos de disco
Pièces détachées de freins à tambours	Drum brake parts	Trommelbremsen-Bauteile	Particolari per freni a tamburo	Piezas para frenos de tambor
Pièces en fonte	Casting	Gußteile	Parti fuse	Piezas de fundción



## TRADUCTION / TRANSLATION

Français	Anglais	Allemand	Italien	Espagnol
Pièces en fonte d'aluminium et d'acier	Cast aluminium and cast steel parts	Spezialteile aus Aluminium- und Stahlguß	Parti speciali fuse in alluminio e acciaio	Piezas especiales de aluminio y fundición de acero
Pieds à coulisse	Calliper gauges	Meßschieber	Calibri a corsoio	Deslizadores de medición
Pincés à mâchoires réglables	Pipe grips	Rohrzangen	Pinze da idraulico	Tenazas para tubos
Piston	Pistons	Kolben	Pistoni	Pistones
Planéité	Flatness	Ebenheit	Planarità	Planitud
Plaquette anti-bruit, revêtement anti-bruit	Anti noise shim	Geräuschdämpfungsblech	Placchetta, lamella anti-vibrazione	Placa, lámina antirruido
Plaquette de frein à disque	Disc brake pad	Scheibenbremsbelag	Pastiglia per freno a disco	Pastilla de freno de disco
Plaquette finie	Pad assembly	Scheibenbremsbelag Montage	Assemblaggio delle piastrine freno	Montaje/ conjunto de pastillas
Plaquettes de frein à disque	Disc brake pads	Scheibenbremsbeläge, Bremsklötze	Pastiglie per freni a disco, Pastiglie freno	Pastillas de freno de disco
Politique qualité	Quality policy	Qualitätspolitik	Politica della qualità	Política de calidad
Pour garnitures de frein sans accessoire	For brake pads without accessories	für Belagsätze ohne Zubehör	per pastiglie freno senza accessori	para juego de pastilla sin accesorios
Prédominance	Predominance	Druckvoreilung	Predominanza	Predominio
Produits de nettoyage pour freins	Brake cleaning agents	Bremsenreinigungsmittel	Detergenti per freni	Productos de limpieza para frenos
Purge	Purge	Regeneration	Scarico	Purga
Purgeurs et appareils de remplissage pour circuits de freinage	Brake bleeding and filling devices	Bremsenentlüftungs- und -befüllgeräte	Apparecchi per sfiato/rifornimento freni	Aparatos de purga y llenado de frenos
Quantité	Quantity	Menge	Quantità	Cantidad
Rainure	Groove, slot	Nut	Scanalatura	Ranura
RE (récepteur d'embrayage)	SC (slave cylinder)	Nz (Nehmerzylinder)	cilindro ricevitore	CRE (cilindro receptor)
Rectifieuses de bandes de roulement	Tire tread levelling machines	Egalisiermaschinen	Macchine pareggiatrici	Máquinas para equiparar neumáticos
Rectifieuses de surface	Surface grinders	Planschleifmaschinen	Spianatrici	Máquinas de afilado plano
Rectifieuses mâchoires et garnitures de freins	Brake shoe and lining grinders	Bremsbacken- und Bremsbelag-Schleifmaschinen	Rettificatrici per ceppi e guarnizioni freno	Máquinas para afilar mordazas y forros de frenos
Récupération	Recovery	Erholung	Recupero	Recuperación
Redan, épaulement	Under hang	Absatz	Sporgenza della piastrina	Desplazamiento, entrante
Réducteurs de Pression	Pressure Proportioning Valves	Druckwandler	Riduttori di Pressione Proporzionali	
Référence du matériau	Material reference	Materialbezeichnung	Marchatura di identificazione	Referencia

## TRADUCTION / TRANSLATION

Français	Anglais	Allemand	Italien	Espagnol
Regarnissage	Relining	Neubelegen	Sostituzione delle guarnizioni	Restauración de zapatas
Règlement CEE	Accordance with EC regulation	EG-Vorschrift	normativa CE	según normativa CEE
Régulateur de freinage	Regulator	Regler	correttore di frenata	regulador
Régulateurs	Regulators	Regler	Regolatori	Reguladores
Régulateurs de la force de freinage	Brake power regulators	Bremskraftregler	Regolatore di frenata	Regulador de servofreno
Réservoir	Reservoir	Behälter	serbatoio	recipiente
Résistance au cisaillement	Shear strength	Scherfestigkeit	Resistenza a sollecitazione di taglio	Resistencia al cizallamiento
Ressort à retenu	Retaining spring	Haltefeder	molla di ritegno	muelle de sujeción
Ressorts	Springs	Federn (Motor, Fahrwerk)	Linguette, Molle, Molletta	Amortiguadores, Muelles
Revêtement anti-bruit	Anti-noise material	Dämpfungsmaterial	Guarnizione antivibrante sul supporto	Recubrimiento anti-ruido montado
Revêtement anti-bruit au dos	Anti-noise backing material	Geräuschkämpfungsmaterial	Guarnizione anti-vibrante sul supporto	Recubrimiento anti-ruido montado
Rivet	Rivet	Niete	Rivetto	Remache
Riveteuses de garnitures de freins	Brake lining riveting machines	Bremsbelag-Nietmaschinen	Rivettatrici per guarnizioni freno	Máquinas para remachar forros de frenos
Rivets	Rivets	Niete	Ribattini	Remaches
Robinets de Commande à main	Handbrake Valves	Handbremsventile	Distributoria mano	
Rodage	Bedding-in	Einlauf	Rodaggio	Rodaje
Roue	Wheel	Rad	ruota	rueda
Roue jumelée	Twin tyres	Doppelbereifung	ruote gemellate	cubierta doble
Roue simple	Single tyre	Einfachbereifung	ruota singola	cubierta simple
Roues	Wheels	Räder	Ruote	Ruedas
Roues dentées	Gears	Zahnräder	Ingranaggi	Ruedas dentadas
Rouleau moulé	Moulded roll	Gepresstes Band	Rotolo stampato	Cinta moldeada
SCS (système de contrôle stop)	SCS (stop control system)	SCS	SCS (sistema controllo frenata)	SCS (sistema de control de frenada)
Segment de frein à tambour (véhicules utilitaires et poids lourds)	CV lining	Trommelbremsbelag für Nutzfahrzeuge und schwere Lastwagen	Ceppo (guarnizione, suola) per freno a tamburo veicoli industriali	Forros de freno para vehículos comerciales
Semelle détériorée	Damaged platform	Beschädigtes Auflageblech	Fascia danneggiata	Llanta, pista dañada
Sensibilité pression	Pressure sensitivity	Druckempfindlichkeit	Sensibilità alla pressione	Sensibilidad a la presión
Sensibilité température	Temperature sensitivity	Temperaturempfindlichkeit	Sensibilità alla temperatura	Sensibilidad a la temperatura
Sensibilité vitesse	Speed sensitivity	Geschwindigkeitsempfindlichkeit	Sensibilità alla velocità	Sensibilidad a la velocidad

## TRADUCTION / TRANSLATION

Français	Anglais	Allemand	Italien	Espagnol
Services d'entretien des freins	Brake repair and replacement services	Bremsen-Aufbereitung	Servizio freni	Servicio para frenos
Servo	Boosters	Servogeräte	Servomeccanismi	Servo aparatos
Servo frein	Booster unit	Bremsgerät	servofreno	servofreno
Servo frein court	Short brake booster	kurzes Bremsgerät	servofreno corto	servofreno corto
Servo frein standard	Standard booster unit	Standard-Bremsgerät	servofreno standard	servo freno standard
Servo freins	Brake Servo Units	Bremskraftverstärker	Servofreni	Servofrenos
SGT (mâchoires de frein à tambour)	DBS (drum brake shoes)	TBB (Trommelbremsbacken)	ganasce freno	ZDF (zapatas de freno)
Sortie hydraulique	Hydraulic output	Hydraulischer Ausgang	Uscita idraulica	
Support	Bracket	Träger	Supporto	Soporte
Système antiblocage (ABS)	Anti-lock braking system (ABS)	Antiblockiersystem (ABS)	Sistema antibloccaggio (ABS)	Sistema de frenado antibloqueo
Systèmes de freinage	Brake systems	Bremsanlagen	Impianti freno	Frenos
Systèmes régler d'anti patinage (ASR)	Anti-slip regulator systems (ASR)	Antischlupfregel-Systeme (ASR)	Sistemi regolari antislittamento (ASR)	Sistemas de antideslizante (ASR)
Tambour de frein	Brake drum	Bremstrommel	Tamburo per freno	Tambor de freno
Tambours de freins	Brake drums	Bremstrommeln	Tamburi freno	Tambores de freno
Témoin d'usure	Wear indicator	Verschleissanzeiger	Indicatore d'usura	Indicador de desgaste
Témoin d'usure mécanique	Screech wear indicator	Kratzblech	Indicatore a vibrazione	Testigo de desgaste mecánico
Témoins	Tell-tales	Kontroll-Leuchten	Spie di controllo	Luces de control
Témoins d'usure	Wear indicators	Verschleissanzeiger	Indicatori di usura	Indicadores de desgaste
Témoins d'usure de garnitures de freins	Brake lining wear tall-tales	Bremsbelag-Verschleißanzeiger	Indicatore consumo ferodi	Indicador de desgaste de guarniciones de frenos
Testeurs de freins	Brake testers	Bremsenprüfgeräte	Apparecchi controllo freni	Aparatos para prueba de frenos
Testeurs de liquide de frein	Brake fluid testers	Bremsflüssigkeits-Testgeräte	Tester per liquido freni	Aparatos de prueba para liquido de frenos
Testeurs de pression de frein	Brake pressure testers	Bremsdruckprüfgeräte	Apparecchi prova pressione freni	Aparatos para prueba de presión de frenado
Tolérance	Tolerance	Toleranz	Tolleranza	Tolerancia
Tours et rectifieuses pour tambours et disques de freins	Brake drum and disc turning and grinding machines	Bremstrommel- und Bremsscheiben-Dreh- und Schleifmaschinen	Torni e rettifiche per tamburi e dischi freno	Máquinas de torneado y afilado
Tours pour garnitures de freins	Brake lining lathes	Bremsbelag-Abdrehmaschinen und -geräte	Torni ed attrezzi per ripassaggio guarnizioni freno	Máquinas y equipos para tornear forros de freno
Tous types	All types	alle Typen	tutti tipi	todos tipo
Trou de guidage	Lead hole	Führungsloch	Foro piombato	Agujero de taladro

## TRADUCTION / TRANSLATION

Français	Anglais	Allemand	Italien	Espagnol
Trou de lamage conique	Tapered counter bore hole	Senkloch konisch	Foro conico con bassofondo piano	Agujero avellanado cónico de fondo plano
Trou de lamage droit	Straight counter bore hole	Senkloch zylindrisch	Foro piano con bassofondo piano	Agujero avellanado recto de fondo plano
Trou de lamage plan	Counter bore	Zylindrische Ansenkung	Foro con bassofondo piano	Avellanado de base plana
Trou de positionnement	Locating hole	Halte Loch	Foro di posizionamento	Agujero de centraje
Trou de rivet	Rivet hole	Nietlöcher	Fori di rivettatura	Agujero de remache
Trou fraisé	Counter sunk hole	Nietboden konisch	Foro piano con bassofondo conico	Agujero avellanado recto de fondo cónico
Trou rivet matière	Spigot hole	Arretierungsloch	Foro degli spinotti	Agujero de anclaje
Trous de rivet	Rivet holes	Nietlöcher	Fori di rivettatura	Agujeros de remache
TU (témoin d'usure)	WI (wear indicator)	WK (Warnkontakt)	RU (rilevatore usura)	CD (contacto de desgaste)
Tubulures	Tubes	Rohre (Meterware)	Tubi	Tubos
Type de frein	Brake type	Bremsentyp	Tipo di freno	
Unité de Commande Électronique	Electronic Control Units	Elektronische Steuergeräte	Unità di Controllo Elettroniche	
Usinage final	Finish grinding	Fertigschleifen	Rettifica di finitura	Rectificado final
Valves de Contrôle	Control Valves	Wegeventile	Valvole di Controllo	
Valves de Desserrage	Manoeuvring Valves	Löseventile	Rubinetti di Sfrenatura	
Valves de Desserrage	Park/Shunt Valves	Park-/Rangierventile	Valvole di Sfrenatura	
Valves de Desserrage Rapide	Quick Release Valves	Schnelllöseventile	Valvoledi Scarico Rapido	
Valves de Nivellement	Levelling Valves	Luftfederungsventile	Valvole Livellatrici	
Valves de Purge	Drain Valves	Entwässerungsventile	Valvole di Spurgo	
Valves Relais	Relay Valves	Relais ventile	Valvole Relé	
Vis	Screw	Schrauben	Perni, Viti	Tornillos
Vis d'étrier	Caliper screw	Sattelschraube	vite pinza	tornillo de pinza
Voile du disque	Run out	Scheibenschlag	Sfarfallamento	Run out, ángulo
Voile torsion	Twist	Verdrehung	Svergolo	Alabeo





**GIL Automotive remet à jour la documentation sur le site  
GIL Automotive will update the documentation on the site**

[www.GiL-Automotive.com](http://www.GiL-Automotive.com)

**Avis de non-responsabilité**

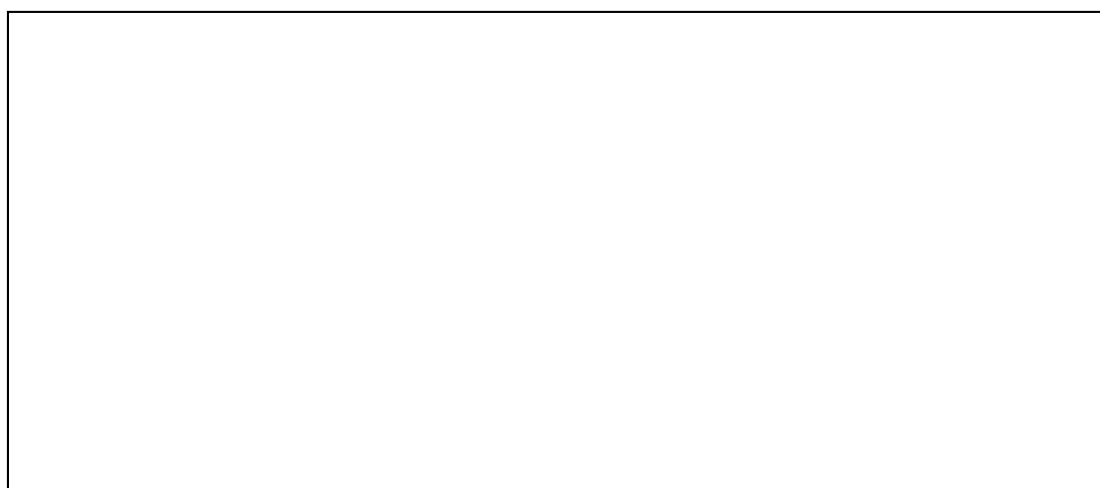
Les marques désignées sont des marques déposées par leurs propriétaires respectifs. GIL Automotive n'est en aucun cas liés, affiliés ou associés aux propriétaires de ces marques. Les produits de GIL Automotive présentés dans ce document ne sont ni recommandés ni autorisés par les propriétaires de ces marques.

**Disclaimer**

The designated trademarks are registered marks of their respective owners and GIL Automotive is not commercially connected, affiliated, or associated with any of the owners of such marks. The GIL Automotive products presented herein are not endorsed or authorized by any of the trademark owners.



Cachet du distributeur / Distributor stamp



**11 Route du Môle 2/3 - BAT B27- CE 228  
92637 GENNEVILLIERS Cedex - France  
Tél. : +33 1 45 06 68 30  
E-mail: [info@GiL-Automotive.com](mailto:info@GiL-Automotive.com)  
Web site : [www.GiL-Automotive.com](http://www.GiL-Automotive.com)**